

SAFETY RECALL

Volvo Trucks North America

Greensboro, NC USA

VOLVO

Date	Number	Release	Page
12.2022	RVXX2205	01	1(8)

**Air Tank Mounting
VN**

RECALL INFORMATION

December (2022)

Volvo Trucks has determined that certain model year 2022-2023 VN Vehicles may have an issue with the auxiliary air tank mounting hardware. On affected vehicles there is the possibility that the auxiliary air tank mounting hardware could have been over torqued and could result in hardware failure.

Volvo trucks has not received any complaints or reports of vehicle crashes because of this issue.

To ensure these vehicles meet Volvo's stringent safety standards, follow the instructions outlined below to replace the auxiliary air tank mounting hardware with new.

VEHICLES AFFECTED

Certain Volvo Trucks manufactured between June 01, 2021, and October 17, 2022.

VEHICLE QUANTITY

There are 412 vehicles affected by this recall (412 U.S).

Parts Information

Part Number	Part Names	Quantity
990951	Flange Lock Nut (M10)	2
984753	Flange Screw (M10*25)	2

Repair Instructions

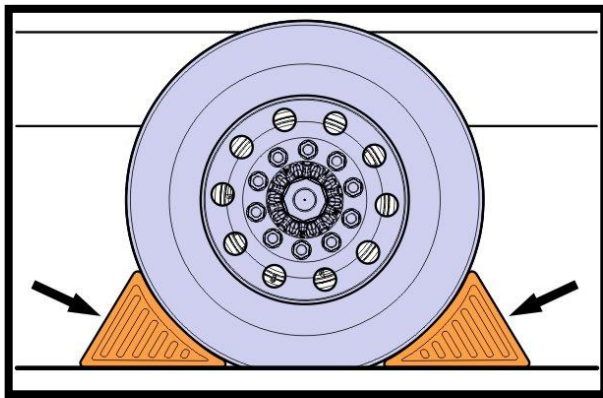
Caution

Service Information Advisory.

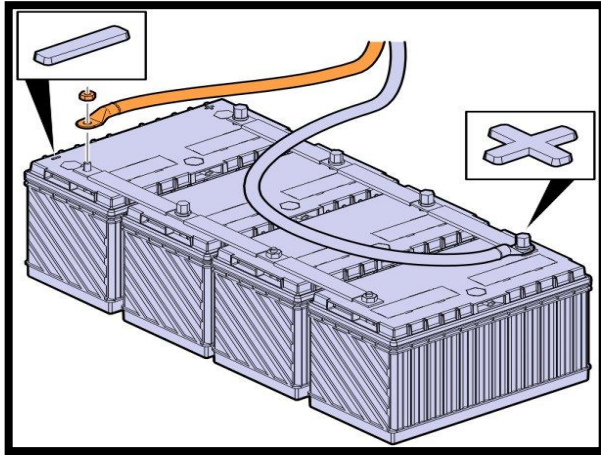
If you are not properly trained and certified in this procedure, ask your supervisor for training before you perform it.

You must read and understand the precautions and guidelines in Service Information, Function Group 5, "General Safety Practices, Brakes and Air Systems" before performing this procedure.

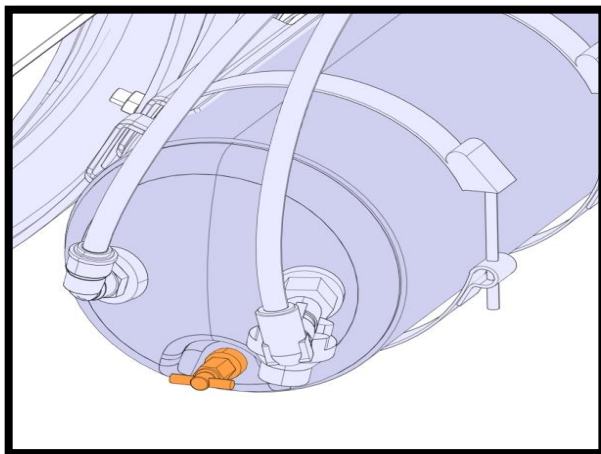
1. Park the vehicle on a level surface.
2. Apply the parking brake.
3. Place the gear lever in neutral.
4. Install the wheel chocks.



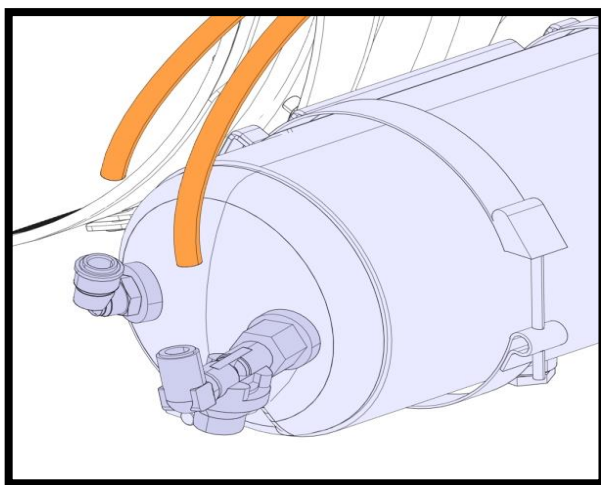
5. Disconnect the cable from the negative terminal.



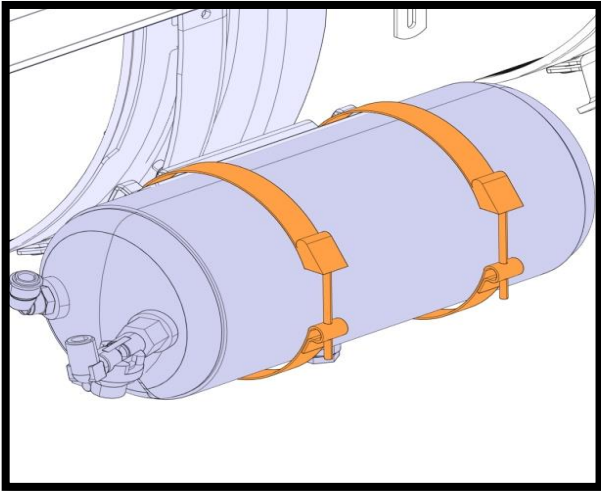
6. Drain the air tank.



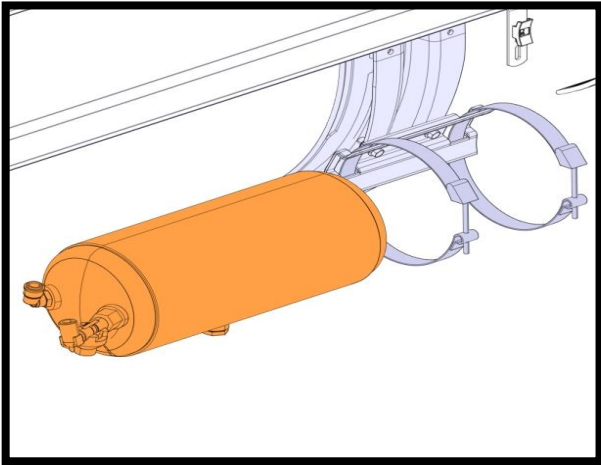
7. Remove the air lines.



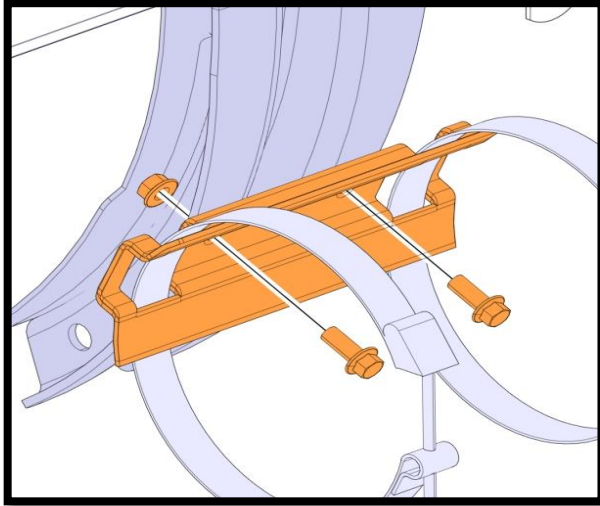
8. Loosen the straps.



9. Remove the tank.

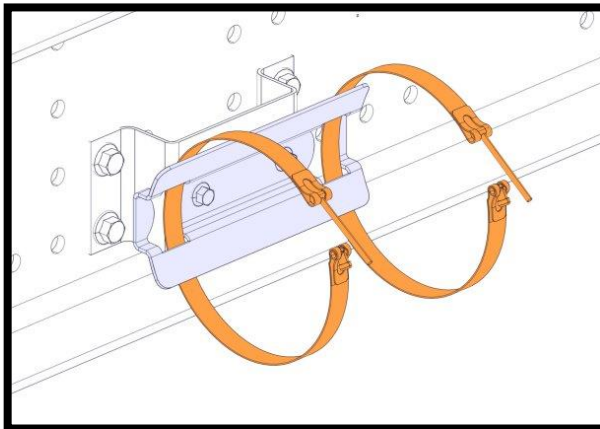


10. Remove the hardware and replace with new flange screws **990951** and flange nuts **984753**

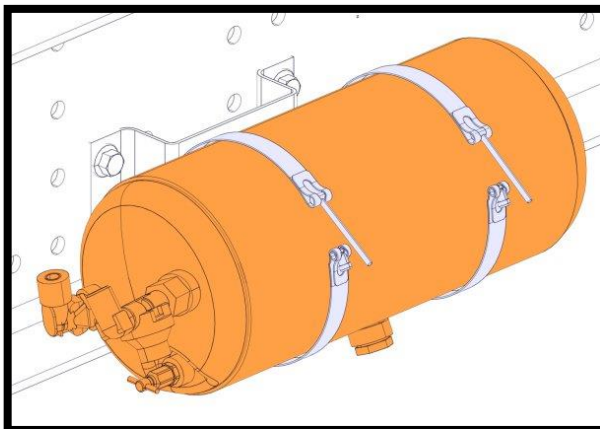


Tightening torque	
Air tank bracket fastener	60±10Nm (44±7lbf·ft)

11. Install the straps.

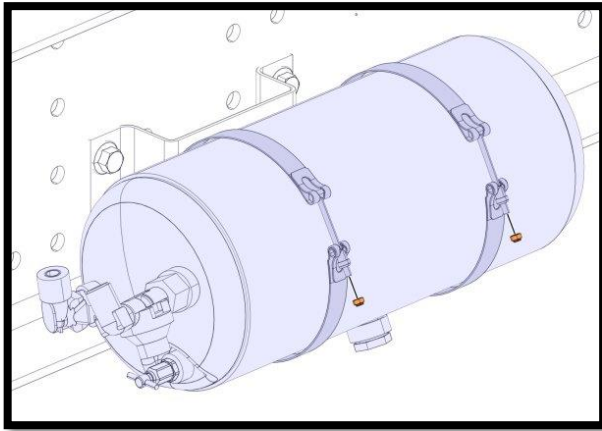


12. Install the tank.

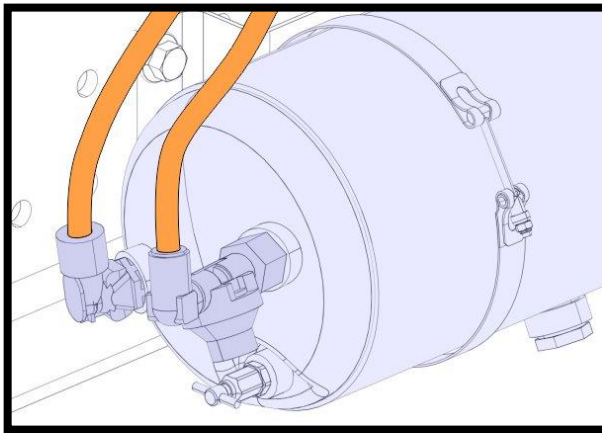


- 13. Install the nuts.
- 14. Tighten the nuts to torque.

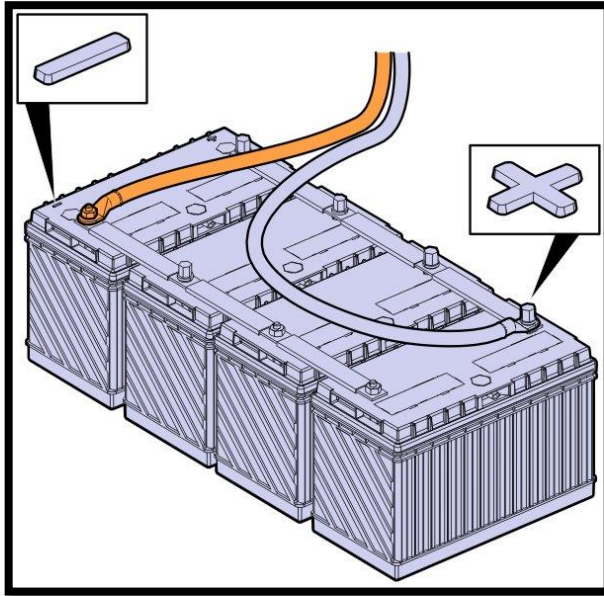
Tightening torque	
Air tank t-bolt nut clamps	11±5Nm (8±3lbf·ft)



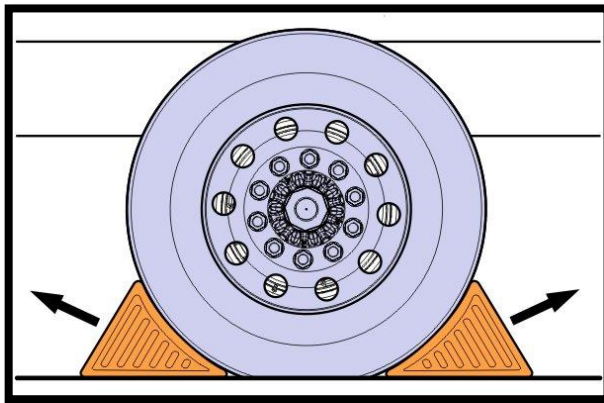
- 15. Install air lines.



- 16. Connect the cable to the negative terminal.



17. Start the engine and let it idle until the brake system is pressurized.
18. When the system is pressurized, turn off the engine and listen for any air leaks.
19. Check the operation of any component disconnected during this procedure.
20. Remove wheel chocks.



REIMBURSEMENT

This repair is covered by an authorized Safety recall. Reimbursement is obtained through the normal claim handling process.	
	UCHP Reimbursement
Claim Type (used only when uploading from the Dealer Business System)	40
Recall Status	
Vehicle repaired per instructions	1-Modified per instructions
Labor Codes	
Primary Labor Code: 5622-03-02-06 Air tank bracket, Replacement	SRT 0.6 hrs.
Causal Part	984753
Authorization Number	C6649

Note: Dealers are to perform Safety Recalls on all subject vehicles at no charge to the vehicle owner regardless of mileage, age of vehicle or ownership (original purchaser or subsequent purchasers). Whenever vehicles are subject to a Recall are brought to your dealership for service, or taken into your dealership vehicle inventory, it is strongly recommended that every effort be made to perform the recall correction before the vehicle is sold or released to the owner.