

ANB4 – Retrofitting Locking Caps on the Front Left and Right Headlights (Stop Delivery / Recall Campaign)

Model Line: **Cayenne (9PA)**

Model Year: **As of 2003 up to 2006**

Country /
Market: **USA (C02)
Canada (C36)**

Concerns: **Caps on main headlight**

Information: **There is a possibility that a locking cap that prevents the adjustment of the headlights in the horizontal direction was not installed during vehicle assembly on the affected vehicles. If this is the case, certain legal requirements will not be met in the USA and Canada markets.**

Action required: Check the installation of the caps and, if necessary, retrofit a cap to the adjusting screw for the horizontal adjustment on the left and right main headlamp.



Information

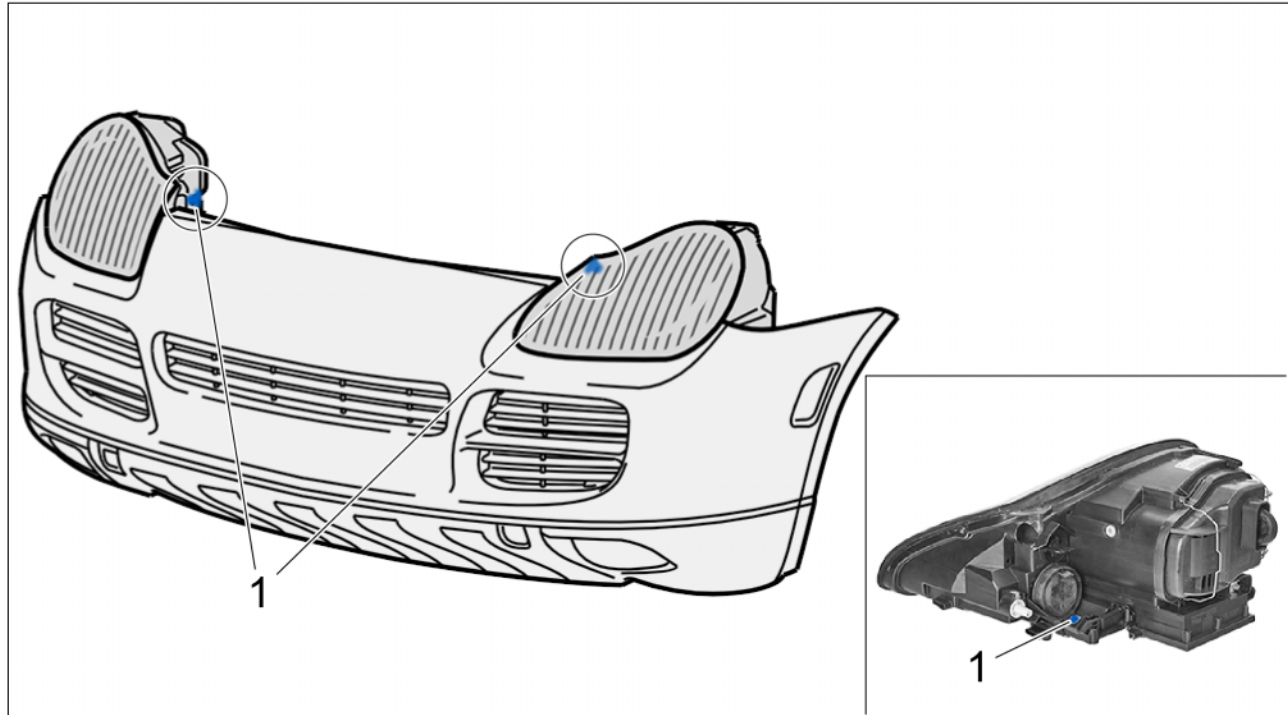
Every vehicle is exactly **assigned just two campaign scopes**.

⇒ To find out which scope is assigned to the vehicle, see PCSS Vehicle Information.

Affected Vehicles: Only vehicles assigned to the campaign (see also PCSS Vehicle Information).

Installation

Position:



Installation position of caps

1 – Cap (retrofit)

Required parts

Parts Info:

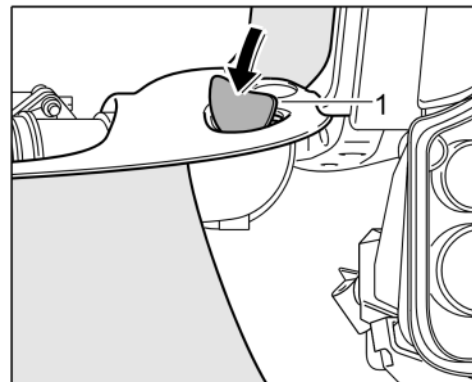
Required parts:

Parts No.	Designation – Location	Number
V04015001KB	⇒ Plug – Headlight adjusting screws	2 pieces

Checking caps and retrofitting them if necessary

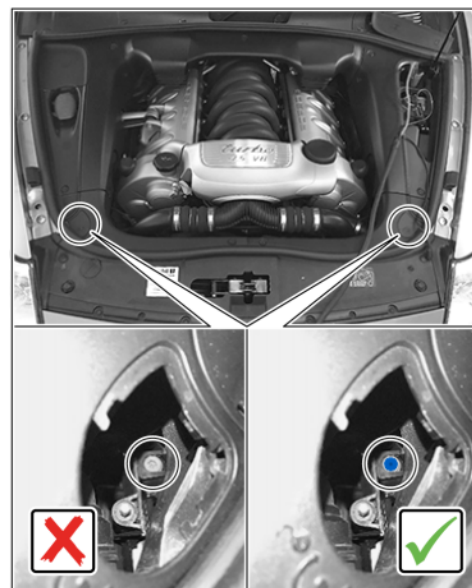
Work Procedure: 1 Open front lid.

- 2 Press down on cover ⇒ *Remove cover -1-* in engine compartment and remove it.



Remove cover

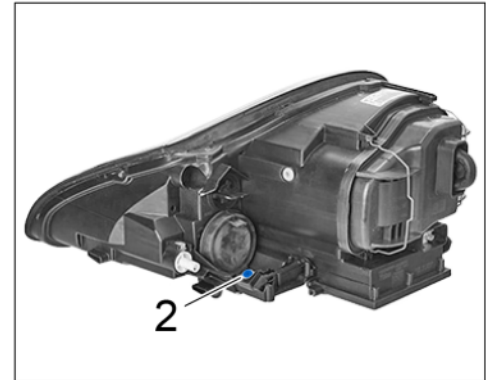
- 3 Check that a cap is installed to the horizontal adjustment screw on the left and right of the main headlamp. ⇒ *Check caps*



Check caps

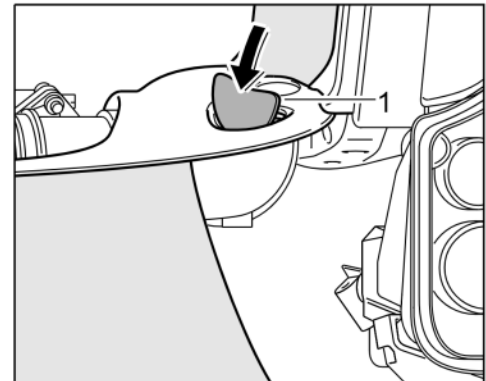
	Assessment	Action
(✓)	A cap is installed on the left and right of a headlight.	End of remedial action. Continue with Step 5.
(✗)	There is no cap or only one cap installed on one headlight.	Retrofit cap. Continue with Step 4.

- 4 Press the cap on the left and right of the main headlight into the adjusting screw for horizontal adjustment ⇒ *Installing cap (e.g. right headlight)*-1-.



Installing cap (e.g. right headlight)

- 5 Insert cover ⇒ *Install rear cover -1-* and fold over.
- 6 Close front lid.
- 7 Enter the campaign in the Warranty and Maintenance booklet.



Install rear cover

Warranty processing



Information

The specified working time was determined specifically for carrying out this campaign and includes all necessary preliminary and subsequent work.

The working time may differ from the working times published in the Labor Operation List in the PCSS.

Scope 1 - 17: Not relevant for this vehicle type.

Scope 18: **Check caps**

Labor time:	
Check caps	Labor time: 12 TU
Includes: Removing and installing cover	
⇒ Damage Code ANB4 099 000 1	

Scope 19: **Retrofitting caps**

Labor time:	
Retrofitting caps	Labor time: 14 TU
Includes: Removing and installing cover	
Check caps	
Parts required:	
V04015001KB Plug	2 pieces
⇒ Damage Code ANB4 099 000 1	

Important Notice: Technical Bulletins issued by Porsche Cars North America, Inc. are intended only for use by professional automotive technicians who have attended Porsche service training courses. They are written to inform those technicians of conditions that may occur on some Porsche vehicles, or to provide information that could assist in the proper servicing of a vehicle. Porsche special tools may be necessary in order to perform certain operations identified in these bulletins. Use of tools and procedures other than those Porsche recommends in these bulletins may be detrimental to the safe operation of your vehicle, and may endanger the people working on it. Properly trained Porsche technicians have the equipment, tools, safety instructions, and know-how to do the job properly and safely. Part numbers listed in these bulletins are for reference only. The work procedures updated electronically in the Porsche PIWIS diagnostic and testing device take precedence and, in the event of a discrepancy, the work procedures in the PIWIS Tester are the ones that must be followed.

© 2022 Porsche Cars North America, Inc.