

**ANB4 - Retrofitting Locking Caps on the Front Left and Right Headlights (Stop Delivery / Recall Campaign)**

Model Line: **Cayenne (9PA)**

Model Year: **As of 2008 up to 2010**

Country /  
Market: **USA (C02)  
Canada (C36)**

Concerns: **Caps on headlight**

Information: **There is a possibility that a locking cap that prevents the adjustment of the headlights in the horizontal direction was not installed during vehicle assembly on the affected vehicles. If this is the case, certain legal requirements will not be met in the USA and Canada markets.**

Action required: Check installation of the caps and retrofit a cap on the adjusting screw for horizontal adjustment on the left and right headlights if necessary.



**Information**

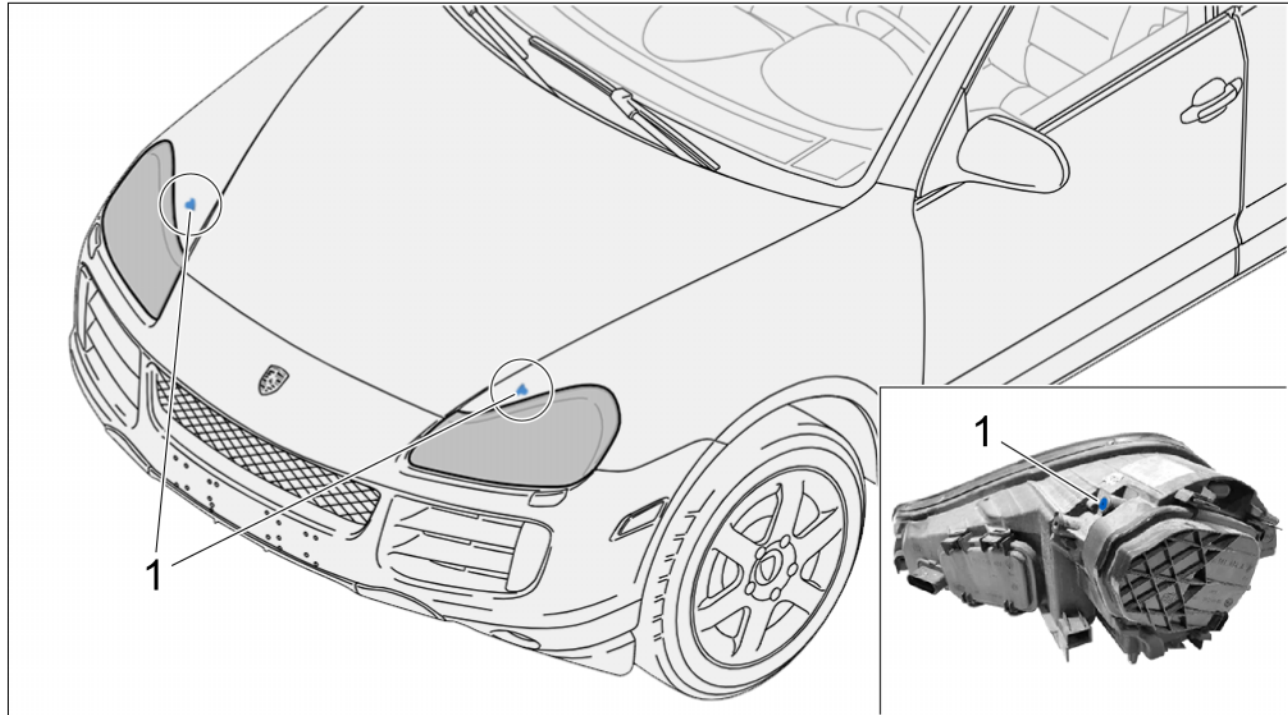
**Every vehicle** is exactly **assigned just two campaign scopes**.

⇒ To find out which scope is assigned to the vehicle, see PCSS Vehicle Information.

Affected Vehicles: Only vehicles assigned to the campaign (see also PCSS Vehicle Information).

Installation

Position:



Installation position of caps

1 – Cap (retrofit)

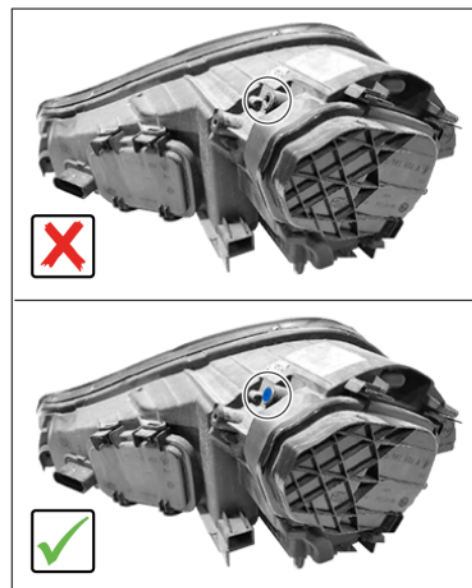
**Required parts**Parts Info: **Required parts:**

Part Nos.	Designation – Location	Number
V04015001KB	⇒ Plug – Headlight adjusting screws	2 pieces

**Checking caps and retrofitting them if necessary**

Work Procedure: 1 Remove headlights on the left and right.  
 ⇒ *Workshop Manual '94151900 Removing and installing main headlights'*

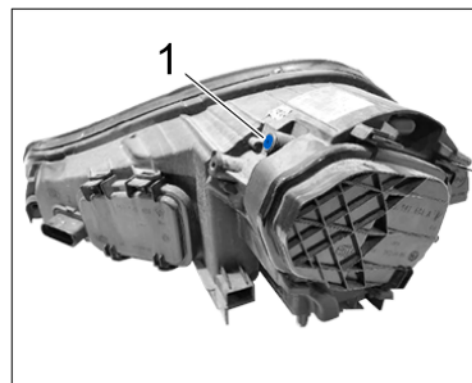
- 2 Check that a cap is installed on the adjusting screw for the horizontal adjustment on the left and right headlight. ⇒ *Checking sealing caps*



*Checking sealing caps*

Assessment		Action
(✓)	A <b>cap is installed on the left and right headlight.</b>	End of remedial action. Continue with Step 4.
(✗)	There is <b>no cap</b> or only one <b>cap installed on one headlight.</b>	Retrofit cap. Continue with Step 3.

- 3 Press the cap on the left and right headlight into the adjusting screw for horizontal adjustment ⇒ *Installing cap (e.g. right headlight) -1-*.
- 4 Install headlights on the left and right.  
⇒ *Workshop Manual '94151900 Removing and installing main headlights'*
- 5 Enter the campaign in the Warranty and Maintenance booklet.



*Installing cap (e.g. right headlight)*

**Warranty processing****Information**

The specified working time was determined specifically for carrying out this campaign and includes all necessary preliminary and subsequent work.

The working time may differ from the working times published in the Labor Operation List in the PCSS.

Scope 1 - 5: Not relevant for this vehicle type.

Scope 6: **Checking caps**

**Labor time:**

Checking caps

Labor time: **24 TU**

Includes: Removing and installing main headlights

⇒ **Damage Code ANB4 099 000 1**

Scope 7 - 14: Not relevant for this vehicle type.

Scope 15: **Retrofitting caps**

**Labor time:**

Retrofitting caps

Labor time: **26 TU**

Includes: Removing and installing main headlights  
Checking caps

**Parts required:**

V04015001KB Plug

2 pieces

⇒ **Damage Code ANB4 099 000 1**

**Important Notice:** Technical Bulletins issued by Porsche Cars North America, Inc. are intended only for use by professional automotive technicians who have attended Porsche service training courses. They are written to inform those technicians of conditions that may occur on some Porsche vehicles, or to provide information that could assist in the proper servicing of a vehicle. Porsche special tools may be necessary in order to perform certain operations identified in these bulletins. Use of tools and procedures other than those Porsche recommends in these bulletins may be detrimental to the safe operation of your vehicle, and may endanger the people working on it. Properly trained Porsche technicians have the equipment, tools, safety instructions, and know-how to do the job properly and safely. Part numbers listed in these bulletins are for reference only. The work procedures updated electronically in the Porsche PIWIS diagnostic and testing device take precedence and, in the event of a discrepancy, the work procedures in the PIWIS Tester are the ones that must be followed.

© 2022 Porsche Cars North America, Inc.