

SUBJECT: RM Fan Housing Bolt Torque

DATE: 08/23/2022

NUMBER: SB-0243a

TO: All Dealer Principals, Service Managers, and Parts Managers

Expiration Date: 06/08/2025

PURPOSE:

Certain RM (RegenX) sweepers may have Fan Housing Bolts that are improperly tensioned. FSO 1140232 must be installed on all affected sweepers.

WARRANTY COVERAGE:

See the Warranty page in this document

UNITS TO SERVICE: See list of S/N page 3

PARTS REQUIRED:

SPECIAL TOOLS:

1/2" Torque Wrench calibrated and adjusted for 110 lb-ft.

Part No.	Qty.	Description
1140232	1	FSO - FAN HSG RETENTION

PROCEDURE:

Certain RM (RegenX) sweepers may have Fan Housing Bolts that are improperly tensioned. FSO 1140232 must be installed on all affected sweepers.

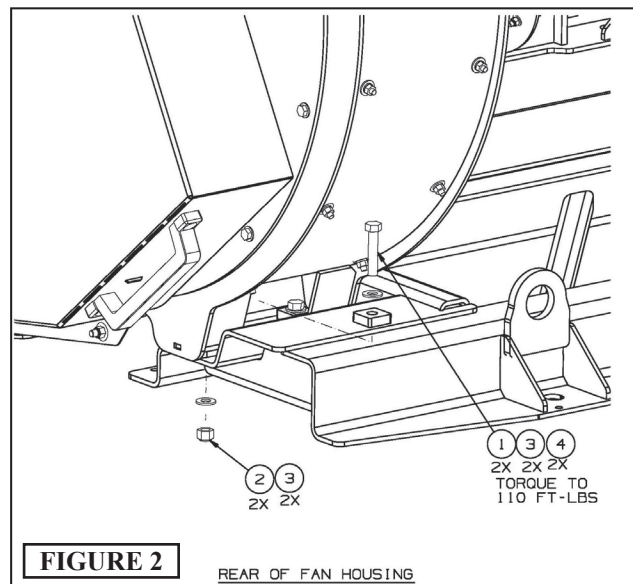
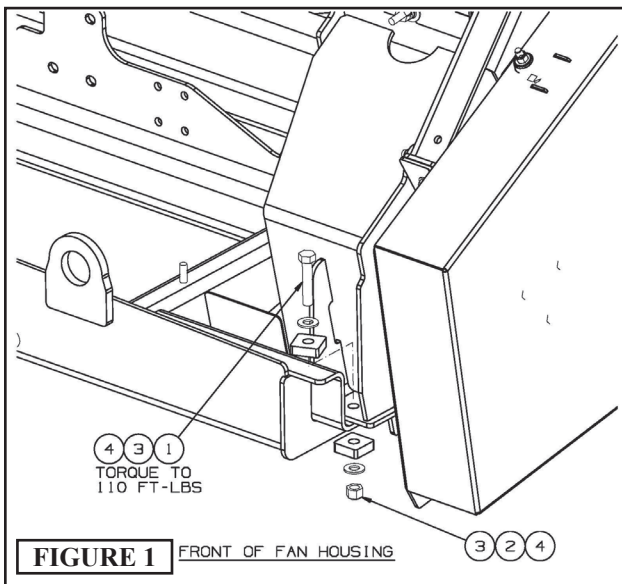
FSO 1140232 provides parts and instructions to update the Fan Housing Assembly Retention. Grade 5 hardware is replaced with new Grade 8 hardware and new spacers must be installed. Bolts must be tightened to 110 lb-ft.

1. Order FSO 1140232 for all affected units.
2. Install FSO 1140232 as instructed in the drawing supplied with the kit. (reference FIGURES 1&2)

Contact Elgin Sweeper Service if you do not receive the FSO drawing with the parts.

FSO 1140232 BOM

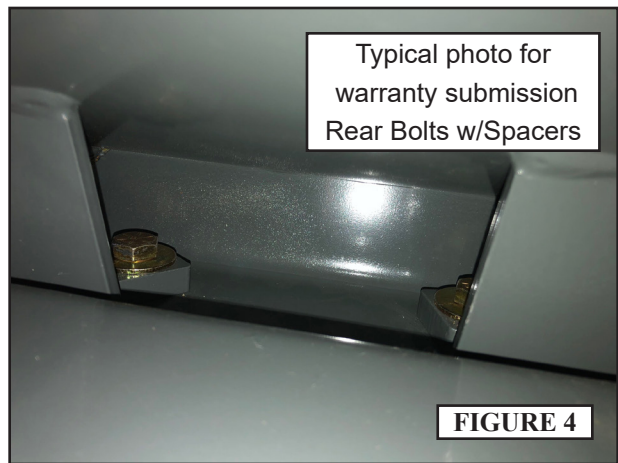
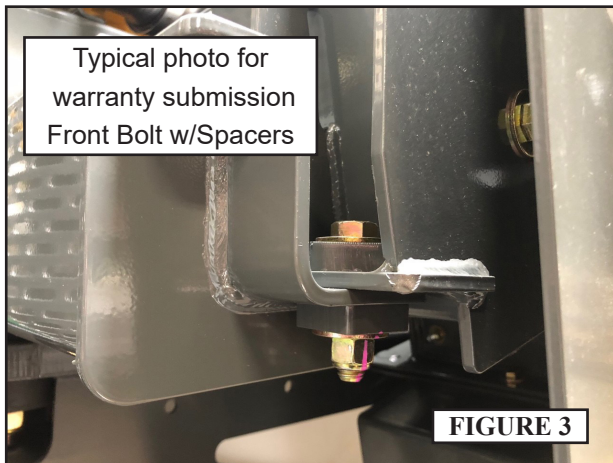
ITEM	PART NUMBER	QTY	DESCRIPTION
1	1046927	3	HHCS-.50-13 X2.5 GR8
2	1126151	3	ELN, .500-13, GR8
3	5009121	6	.500 PLNWSHR-A/N
4	1140229	4	PL-FAN BOLT SPACER
5	5500120	1	ND-INCL.INSTL.PRINTS



SERIAL NUMBER LISTING

FSO 1140232

RM00001	RM41017	RM41035	RM41053	RM41071	RM41090	RM41116
RM00002	RM41018	RM41036	RM41054	RM41072	RM41091	RM41118
RM41001	RM41019	RM41037	RM41055	RM41073	RM41092	RM41120
RM41002	RM41020	RM41038	RM41056	RM41074	RM41093	RM41121
RM41003	RM41021	RM41039	RM41057	RM41075	RM41094	RM41129
RM41004	RM41022	RM41040	RM41058	RM41077	RM41095	RM41131
RM41005	RM41023	RM41041	RM41059	RM41078	RM41096	RM41132
RM41006	RM41024	RM41042	RM41060	RM41079	RM41097	RM41133
RM41007	RM41025	RM41043	RM41061	RM41080	RM41098	RM41135
RM41008	RM41026	RM41044	RM41062	RM41081	RM41099	RM41144
RM41009	RM41027	RM41045	RM41063	RM41082	RM41100	RM41146
RM41010	RM41028	RM41046	RM41064	RM41083	RM41102	RM41155
RM41011	RM41029	RM41047	RM41065	RM41084	RM41103	RMS41076
RM41012	RM41030	RM41048	RM41066	RM41085	RM41104	RM41096
RM41013	RM41031	RM41049	RM41067	RM41086	RM41107	
RM41014	RM41032	RM41050	RM41068	RM41087	RM41110	
RM41015	RM41033	RM41051	RM41069	RM41088	RM41111	
RM41016	RM41034	RM41052	RM41070	RM41089	RM41113	



Coverage Date Range	Federal Signal		Dealer Suggested		Customer Suggested	
	Parts %	Labor %	Parts %	Labor %	Parts %	Labor %
Group 1						
06/08/2022 - 06/08/2025	100%	100%	0%	0%	0%	0%

Warranty Coverage and Claim Submittal

The ESG dealer should submit a warranty claim for SB-0243a upon completion for any of the affected serial numbers.

Submission must include photo of the completed installation for each unit. See typical photos (FIGURES 3 and 4).

Use the unit serial number and Service Bulletin number for warranty submission in the new warranty system.

0.5 Hours (30 MIN) is allowed for installation of FSO 1140232 parts and testing.