

May 27, 2022

Version 1

Safety Recall: 2020 CR-V Fuel Tank

AFFECTED VEHICLES

Year	Model	Trim	VIN Range
2020	CR-V	ALL	Check the iN VIN status for eligibility.

BACKGROUND

Due to a manufacturing process error, a small number of absorber clips may not have been properly welded to the fuel tank causing them to potentially separate from the tank. A separated absorber clip may allow the front tank absorber to block the fuel pump meter arm causing an inaccurate fuel level reading.

CUSTOMER NOTIFICATION

Owners of affected vehicles will be sent a notification of this campaign.

Do an iN VIN status inquiry to make sure the vehicle is shown as eligible.

Some vehicles affected by this campaign may be in your new or used vehicle inventory.

Failure to repair a vehicle subject to a recall or campaign may subject your dealership to claims or lawsuits from the customer or anyone else harmed as a result of such failure. To see if a vehicle in inventory is affected by this safety recall, do a VIN status inquiry before selling it.

CORRECTIVE ACTION

Replace the fuel tank.

CUSTOMER INFORMATION:The information in this bulletin is intended for use only by skilled technicians who have the proper tools, equipment, and training to correctly and safely maintain your vehicle. These procedures should not be attempted by "do-it-yourselfers," and you should not assume this bulletin applies to your vehicle, or that your vehicle has the condition described. To determine whether this information applies, contact an authorized Honda automobile dealer.

PARTS INFORMATION

Part Name	Part Number	Quantity
Bolt (12-Point 8 mm x 21 mm) (AWD Only)	90113-S10-000	4
Fuel Tank	17044-TLA-A07	1

For dealers experiencing a strong fuel smell from storing a fuel tank replaced under this Service Bulletin, the fuel tank may be disposed of immediately in accordance with local regulations. This only applies to the fuel tank replaced under this Service Bulletin. The published retention policy remains in effect for all other parts. If you have any questions about this exception or other parts retention issues please contact the WPI Administrative Office at **937-642-2737**.

NOTE:

- Only order a fuel tank once you have identified an affected VIN.
- For instructions to order a fuel tank, refer to the notes in the parts catalog.

TOOL INFORMATION

Tool Name	Tool Number	Quantity
Fuel Sender Wrench	070AA-TLA0100	1

WARRANTY CLAIM INFORMATION

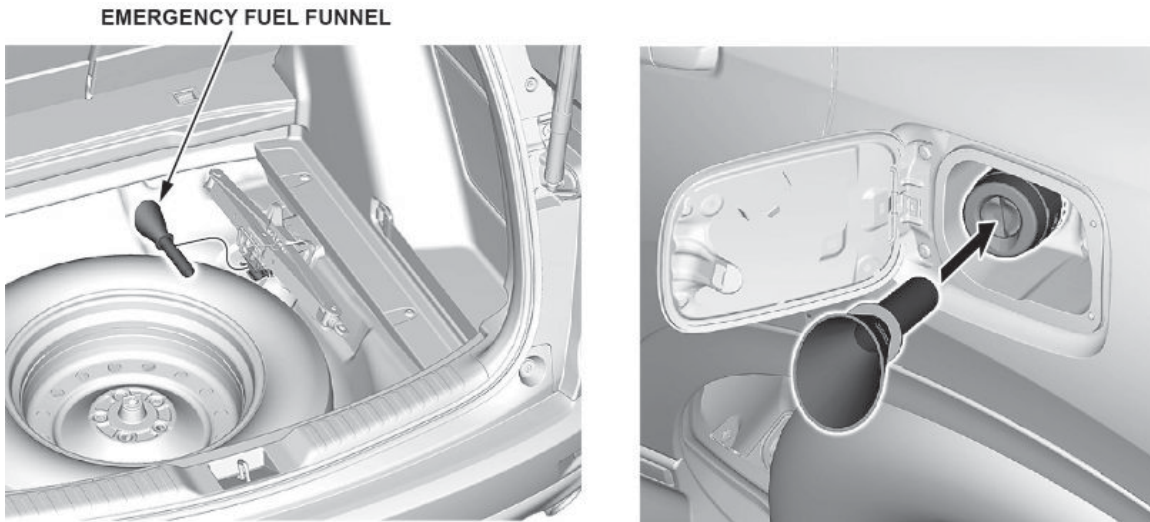
Operation Number	Description	Flat Rate Time	Defect Code	Symptom Code	Template ID	Failed Part Number
3101GZ	Replace the fuel tank (2WD).	1.7 hr	6FZ00	RCB00	A22020A	17044-TLA-A06

Operation Number	Description	Flat Rate Time	Defect Code	Symptom Code	Template ID	Failed Part Number
3101GZ	Replace the fuel tank (AWD).	1.7 hr	6FZ00	RCB00	A22020B	17044-TLA-A06
A	Add for AWD.	0.2 hr				

Skill Level: Repair Technician

FUEL TANK REPLACEMENT PROCEDURE

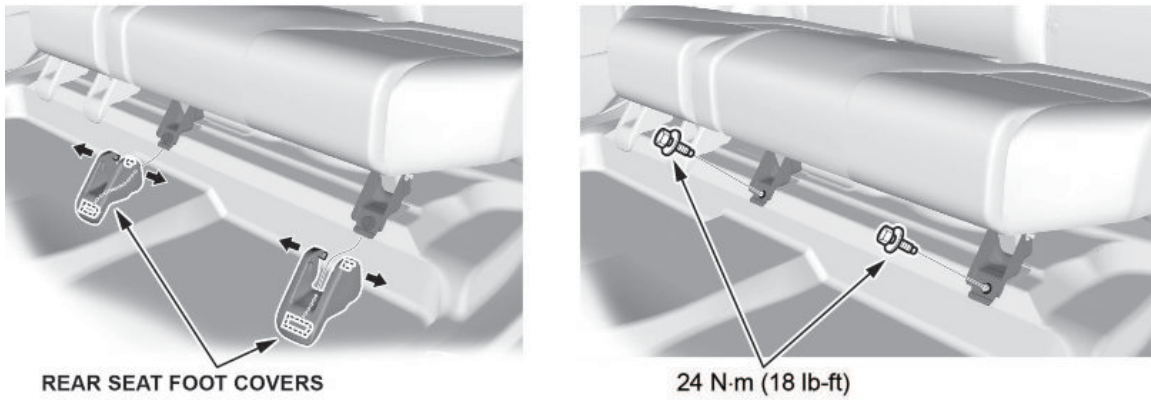
1. Relieve the fuel pressure.
 - 1.1. Remove the emergency fuel funnel from the cargo area.



- 1.2. Insert the emergency fuel funnel into the fuel filler neck to relieve the pressure in the tank.
 - 1.3. Turn the ignition to ON, but do not start the engine.
 - 1.4. Connect the i-HDS. From the **System Selection Menu** select the **PGM-FI** system, select **Function Test**, and select **FUEL PUMP OFF** test. Follow the test instructions for starting the engine and idling until it stalls.
 - 1.5. Turn the ignition to OFF.
2. Disconnect the 12-volt battery.

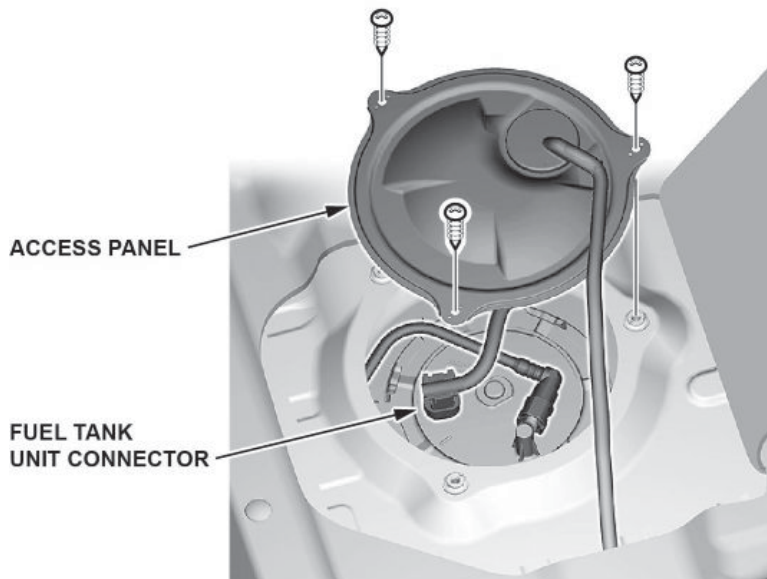
3. Drain the fuel tank.

3.1. Remove the rear seat foot covers, then remove the bolts.



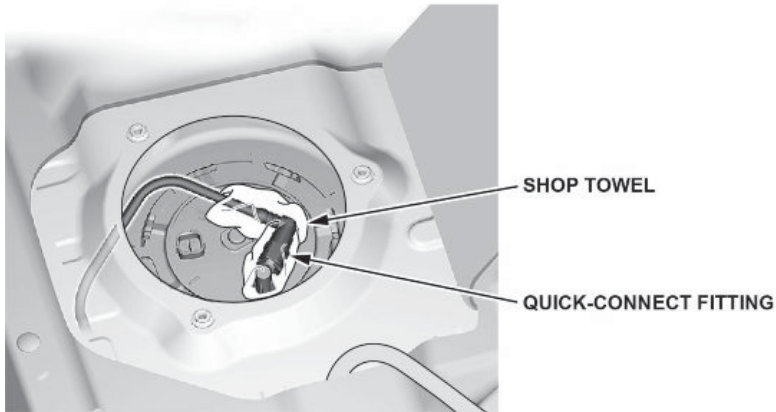
3.2. Lift the rear seat cushion, and secure it in the up position with a bungee cord.

3.3. Remove the fuel tank unit (fuel pump module assembly) access panel.

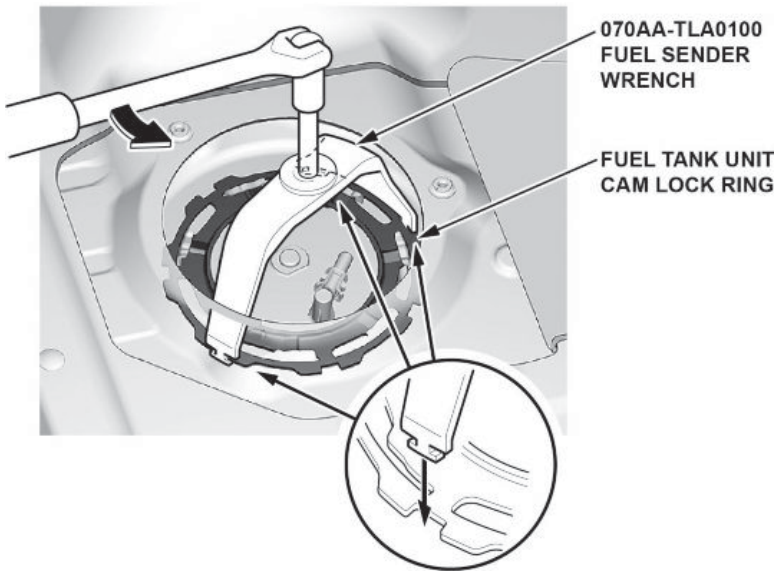


3.4. Disconnect the fuel tank unit connector.

- 3.5. Wrap a shop towel around the fuel line quick-connect fitting, then disconnect it.
NOTE: Do not remove the fuel line retainer from the fuel tank unit as it will be reused.

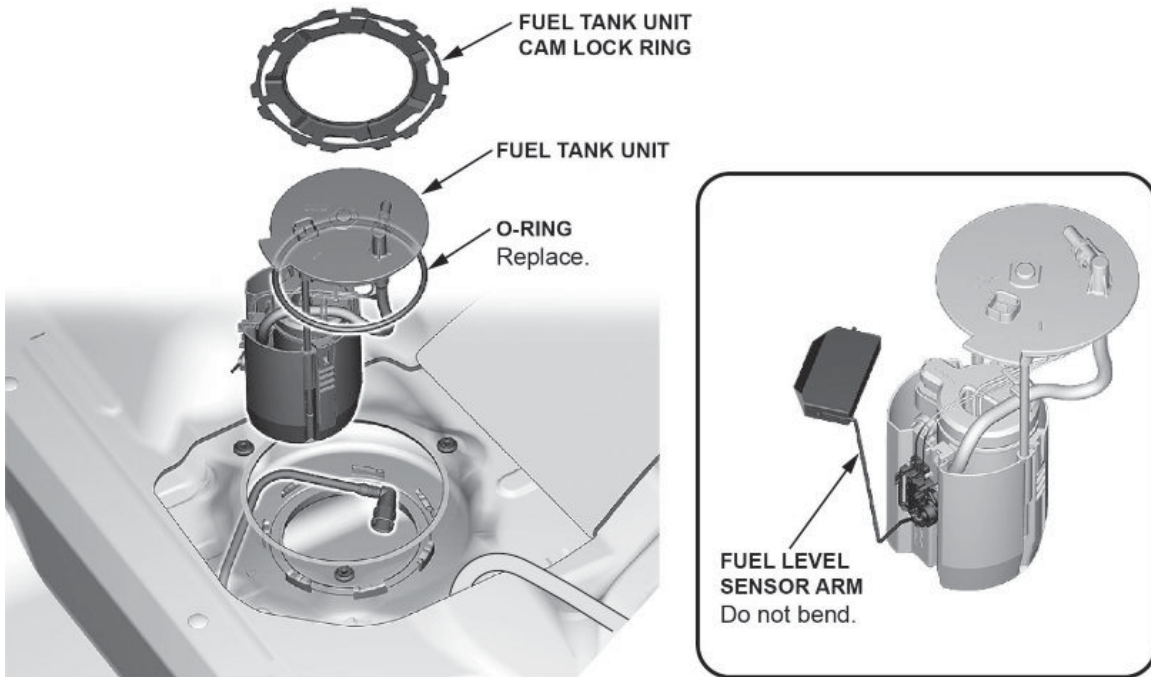


- 3.6. Unlock the fuel tank unit cam lock ring.



3.7. Remove the fuel tank unit.

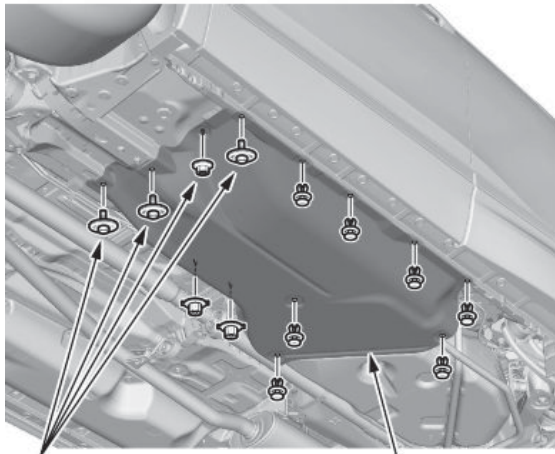
NOTE: The new fuel tank comes with a tank unit O-ring.



3.8. Using a hand pump, a hose, and a container suitable for fuel, draw the fuel from the fuel tank.

4. Remove the applicable floor undercover based on the trim level.

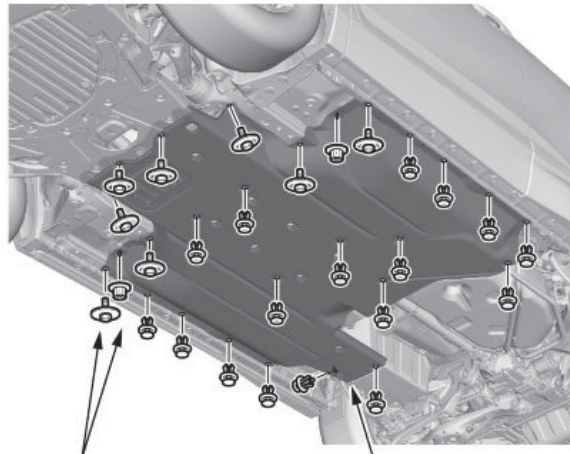
AWD Models:



BOLTS AND NUT
9.4 N·m (6.9 lb-in)

LEFT MIDDLE FLOOR UNDERCOVER

2WD Models:



BOLTS AND NUTS
9.4 N·m (6.9 lb-in)

MIDDLE FLOOR UNDERCOVER
(EX 2WD, EX-L 2WD,
Touring 2WD ONLY)

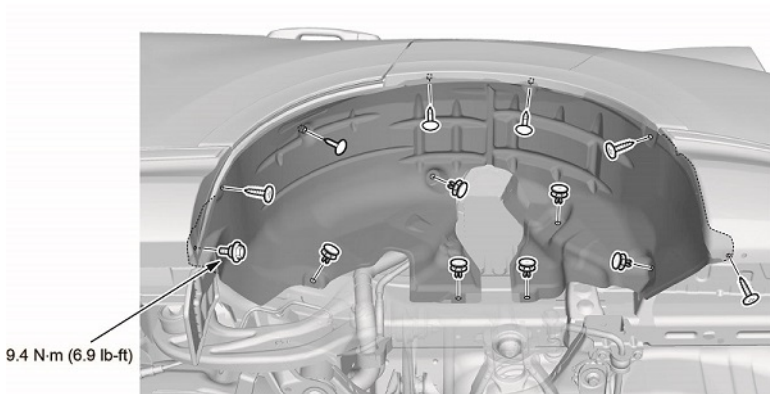
5. *AWD Models Only:* Move the propeller shaft out of the way.

5.1. Unbolt the No. 2 propeller shaft at the rear differential and the propeller shaft protector. Once unbolted, let the propeller shaft hang to the side and secure it with a strap to avoid stressing the carrier bearing.

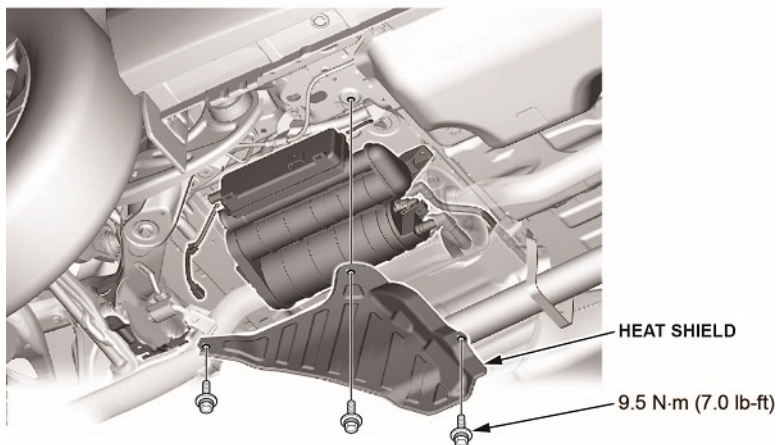


5.2. Secure the bungee cord or other line that is supporting the propeller shaft to a cool surface away from the exhaust pipe such as an exhaust hanger. It is okay if the propeller shaft touches the exhaust.

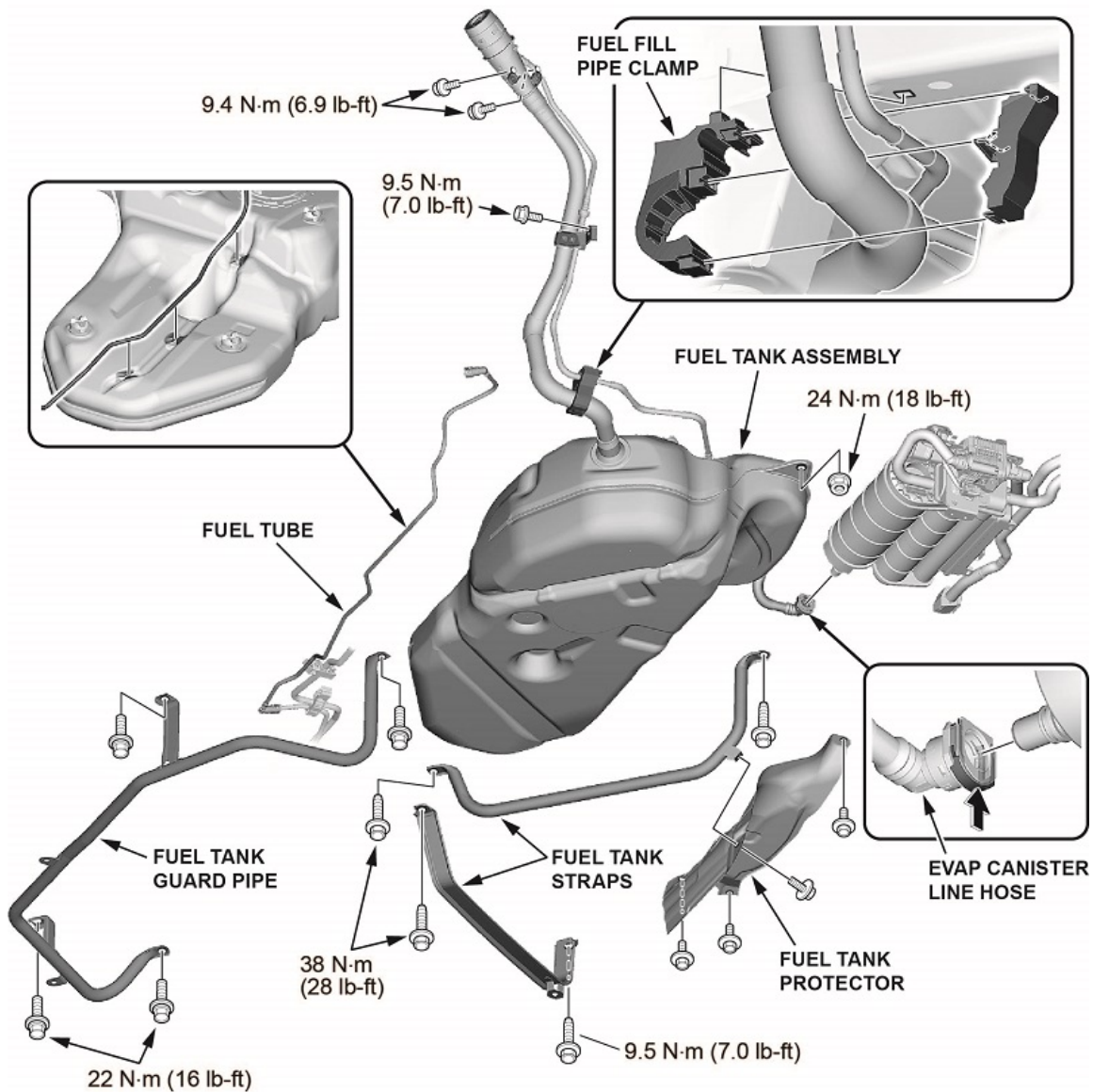
6. Remove the left side rear inner fender.



7. Remove the heat shield from the right rear area.



8. Remove the fuel tank.
 - 8.1. Remove the fuel tank protector.



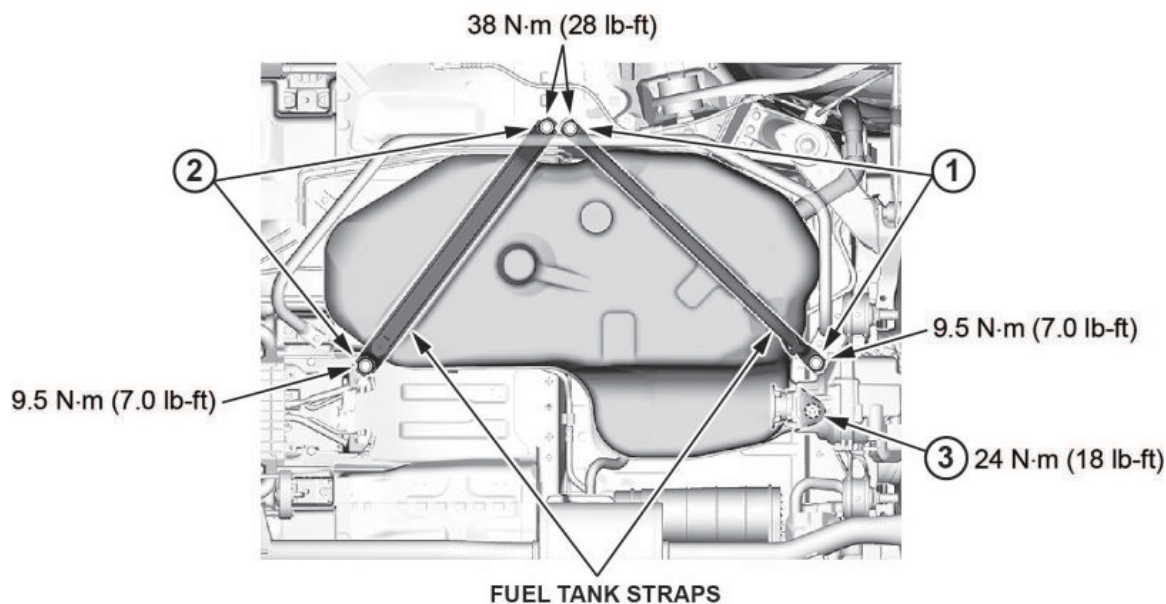
- 8.2. Remove the fuel tank guard pipe (if needed).
- 8.3. Disconnect the EVAP canister line hose.
- 8.4. Remove the fuel fill pipe clamp.
- 8.5. Place a transmission jack or other support under the fuel tank, then remove the fuel tank straps and nut.

NOTE: Make sure the support has casters as you will need to move the tank around to guide the filler pipe out through the rear subframe.
- 8.6. Remove the fuel tank assembly.

NOTE: As you lower the fuel tank assembly, remove the fuel tube from the tank.
9. Install the original fuel tank unit into the new fuel tank.

NOTE: Make sure you use the new O-ring that came with the fuel tank.

10. Install the new fuel tank; with the tank straps and bolts as shown.



11. Install the following components in the reverse order of removal:

- Fuel fill pipe clamp
- EVAP canister line hose
- Fuel tube
- Fuel tank guard pipe
- Fuel tank protector
- Heat shield
- Left side inner fender
- Propeller shaft (AWD models only)
 - Propeller shaft protector: **22 N·m (16 lb-ft)**
 - Propeller shaft (use new bolts): **32 N·m (24 lb-ft)**

12. Connect the fuel lines and confirm the fuel line connection by doing a push, pull check. Then, fill the fuel tank with the fuel from the original fuel tank.

NOTE: The original retainer on the fuel tank unit can be reused. If it was removed from the fuel line or damaged, replace it.

13. Check for fuel leaks before installing the fuel sending unit access panel.

13.1. Connect the battery.

13.2. Connect the fuel tank unit connector, then turn the ignition to ON, but do not start the engine. After the fuel pump runs for **2 seconds**, the fuel line will be pressurized.

13.3. Repeat step 13.2 two or three times, then check for fuel leakage.

14. Install remaining parts in the reverse order of removal.

15. *California residents only:* Fill out a Vehicle Emissions Recall - Proof of Correction certificate, and use **RCB** as the recall number. Have the service advisor give the certificate to your customer, and advise him or her to keep it as proof that the recall was completed. Your customer will need to submit this certificate to the DMV only if the DMV requests it. If you need more certificates, use reorder number **Y0657**.

Vehicle Emission Recall - Proof of Correction																								
License Number	Make	Year Model	Body Type	Vehicle Identification Number																				
				<table border="1"><tr><td></td><td></td><td></td><td></td><td></td><td></td><td></td><td></td><td></td><td></td><td></td><td></td><td></td><td></td><td></td><td></td><td></td><td></td><td></td><td></td></tr></table>																				
Manufacturer _____			Recall Number RCB																					
The above described vehicle has been repaired, modified and/or equipped with new emission control devices to meet applicable California Emission Control Laws.																								
Dealer's Name		Address, City, State and Zip																						
_____		_____																						
Date	Dealership's Authorized Signature																							
_____	_____																							
	X																							
Return this certificate to DMV only when required - otherwise retain for your records.																								

Y0657 ACL 24832 (0212)

END