

Safety Recall

Code: 24iH



Subject
Release Date
Affected Vehicles

Engine Control Module (ECM)

July 14, 2022

| Country | Beginning Model Year | Ending Model Year | Vehicle | Vehicle Count |
|---------|----------------------|-------------------|--------------|---------------|
| USA | 2022 | 2022 | A4 SEDAN | 1 |
| USA | 2022 | 2022 | A6 SEDAN | 3 |
| USA | 2022 | 2022 | Q5 | 61 |
| USA | 2022 | 2022 | Q5 SPORTBACK | 7 |
| CAN | 2022 | 2022 | A5 COUPE | 1 |
| CAN | 2022 | 2022 | A5 SPORTBACK | 3 |
| CAN | 2022 | 2022 | Q5 | 33 |
| CAN | 2022 | 2022 | Q5 SPORTBACK | 27 |

Check Campaigns/Actions screen in Elsa on the day of repair to verify that a VIN qualifies for repair under this action. Elsa is the only valid campaign inquiry & verification source.

- ✓ Campaign status must show "open."
- ✓ If Elsa shows other open action(s), inform your customer so that the work can also be completed at the same time the vehicle is in the workshop for this campaign.

Problem Description

The engine control module (ECM) in affected vehicles may contain a semiconductor that was not produced according to manufacturing specifications. The insulation layer that is required to prevent short circuits within the semiconductor may be missing on these semiconductors. If this condition is present in the vehicle, it might cause a failure of the affected semiconductor, thus influencing fuel injection and engine operation. This could lead to a stalling condition, which could increase the risk of a crash.

Corrective Action

Replace the engine control module (ECM)

Code Visibility

On or about July 14, 2022, the campaign code will be applied to affected vehicles.

Owner Notification

Owner notification will take place in July 2022. Owner letter examples are included in this bulletin for your reference.

Additional Information

Please alert everyone in your dealership about this action, including Sales, Service, Parts and Accounting personnel. Contact Warranty if you have any questions.

IMPORTANT REMINDER ON VEHICLES AFFECTED BY SAFETY & COMPLIANCE RECALLS

New Vehicles in Dealer Inventory: It is a violation of federal law for a dealer to deliver a new motor vehicle or any new or used item of motor vehicle equipment (including a tire) covered by this notification under a sale or lease until the defect or noncompliance is remedied. By law, dealers must correct, prior to delivery for sale or lease, any vehicle that fails to comply

with an applicable Federal Motor Vehicle Safety Standard or that contains a defect relating to motor vehicle safety.

Pre-Owned Vehicles in Dealer Inventory: Dealers should not deliver any pre-owned vehicles in their inventory which are involved in a safety or compliance recall until the defect has been remedied.

Dealers must ensure that every affected inventory vehicle has this campaign completed before delivery to consumers.

Parts Information

| | |
|---|--|
| Parts Control Type: VIN to Order | If parts are needed to support a vehicle repair: <ul style="list-style-type: none"> • US Dealers - use AVA • CAN Dealers - contact the Parts Specialists via phone (800-767-6552), email (VWoAPartsSpecialists@vw.com), or chat/text with the VIN to order |
|---|--|

| | |
|---|---|
| Initial Allocation: NO | There will be no parts allocation. Please reference the Repair Projection Tool (below) to view your potential VIN population. |
|---|---|

| | |
|--|---|
| Repair Projection Tool: (right click to open) |  |
|--|---|

| Criteria | Quantity | Part Number | P.O.C. Part Description | Ordering Method |
|------------------|----------|-------------|-------------------------|-----------------|
| 4A, 8W, FY or F5 | 1 | SEE ETKA | CONTR.UNIT | VIN TO ORDER |

NOTE

The specified part numbers reflect the status at the start of this action. Interim updates made in ETKA can cause a listed part number to become unavailable. In this case, the new part number specified in ETKA should be used.

Claim Entry Instructions

The labor times listed here may differ from the labor operations and labor times listed in ELSA.

After campaign has been completed, enter claim as soon as possible to help prevent work from being duplicated elsewhere. Attach the Elsa screen print showing action open on the day of repair to the repair order.

If customer refused campaign work:

- ✓ U.S. dealers: Submit the request through Audi Warranty Online under the Campaigns/Update option.
- ✓ Canada dealers: Upload the repair order [signed by customer] to Audi WIN/Operations/Campaign Closure.

| | | | |
|----------------------------|--|---|--|
| Service Number | 24iH | | |
| Damage Code | 0099 | | |
| Parts Vendor Code | 002 | | |
| Claim Type | Sold vehicle: 7 10 Unsold vehicle: 7 90 | | |
| Causal Indicator | Mark CONTR.UNIT* as causal part | | |
| Vehicle Wash/Loaner | Do not claim wash/loaner under this action | | |
| Criteria I.D. | 4A, 8W, FY or F5 | | |
| | LABOR | | |
| | Labor Op | Time Units | Description |
| | 2470 55 99 | 30 | Replace ECM |
| | 2706 89 50 | 10 | Connect battery charger |
| | 0150 00 00 | Time stated on diagnostic protocol | GFF Operations |
| | PARTS | | |
| | Quantity | Part Number | Description |
| | 1.00 | 4K0906259** *** -or- 8W0906259** *** -or- 80A906259** *** | CONTR.UNIT* (confirm part number in ETKA) |

Customer Letter Example (USA)

<MONTH YEAR>

<CUSTOMER NAME>

<CUSTOMER ADDRESS>

<CUSTOMER CITY STATE ZIPCODE>

This notice applies to your vehicle: <MODEL YEAR> <BRAND> <CARLINE>, <VIN>

NHTSA: 22V368

Subject: Safety Recall 24iH - Engine Control Module (ECM)

Dear Audi Owner,

This notice is sent to you in accordance with the National Traffic and Motor Vehicle Safety Act. Audi has decided that a defect, which relates to motor vehicle safety, exists in certain 2022 model year Audi vehicles. Our records show that you are the owner of a vehicle affected by this action.

- What is the issue?** The engine control module (ECM) in affected vehicles may contain a semiconductor that was not produced according to manufacturing specifications. The insulation layer that is required to prevent short circuits within the semiconductor may be missing on these semiconductors. If this condition is present in the vehicle, it might cause a failure of the affected semiconductor, thus influencing fuel injection and engine operation. This could lead to a stalling condition, which could increase the risk of a crash.
- What will we do?** To correct this defect, your authorized Audi dealer will replace the engine control module (ECM). This work will take about an hour to complete and will be performed for you free of charge. Please keep in mind that your dealer may need additional time for the preparation of the repair, as well as to accommodate their daily workshop schedule.
- What should you do?** Please contact your authorized Audi dealer without delay to schedule this recall work. For your convenience, you can also visit www.audiusa.com and click on the "Find a Dealer" link to locate a dealer near you and schedule this service.
- Lease vehicles and address changes** If you are the lessor and registered owner of the vehicle identified in this action, the law requires you to forward this letter immediately via first-class mail to the lessee within ten (10) days of receipt. If you have changed your address or sold the vehicle, please fill out the enclosed prepaid Owner Reply card and mail it to us so we can update our records.
- Reimbursement of Expenses** If you have previously paid for repairs relating to the condition described in this letter, the enclosed form explains how to request reimbursement. We would be pleased to review your reimbursement request.
- Can we assist you further?** If your authorized Audi dealer fails or is unable to complete this work free of charge within a reasonable time, please contact Audi Customer Experience at 1-800-253-2834 or via our "Contact Us" page at www.audiusa.com.
- Checking your vehicle for open Recalls and Service Campaigns** To check your vehicle's eligibility for repair under this or any other recall/service campaign, please visit the **Recall/Service Campaign Lookup** tool at www.audiusa.com and enter your Vehicle Identification Number (VIN).

If you still cannot obtain satisfaction, you may file a complaint with: The Administrator, National Highway Traffic Safety Administration, 1200 New Jersey Avenue, SE., Washington, DC 20590; or call the toll-free Vehicle Safety Hotline at 1-888-327-4236 (TTY: 1-800-424-9153); or go to <http://www.safercar.gov>.

We apologize for any inconvenience this matter may cause; however we are taking this action to help ensure your safety and continued satisfaction with your vehicle.

Sincerely,

Audi Customer Protection

Customer Letter Example (Canada)

<MONTH YEAR>

<CUSTOMER NAME>

<CUSTOMER ADDRESS>

<CUSTOMER CITY STATE ZIPCODE>

This notice applies to your vehicle: <MODEL YEAR> <BRAND> <CARLINE>, <VIN>

Transport Canada Recall: 2022-266

Subject: Safety Recall 24iH - Engine Control Module (ECM)

Dear Audi Owner,

This notice is sent to you in accordance with the requirements of the *Motor Vehicle Safety Act*. This is to inform you that your vehicle may contain a defect that could affect the safety of a person. Our records show that you are the owner of a vehicle affected by this action.

What is the issue? The engine control module (ECM) in affected vehicles may contain a semiconductor that was not produced according to manufacturing specifications. The insulation layer that is required to prevent short circuits within the semiconductor may be missing on these semiconductors. If this condition is present in the vehicle, it might cause a failure of the affected semiconductor, thus influencing fuel injection and engine operation. This could lead to a stalling condition, which could increase the risk of a crash.

What will we do? To correct this defect, your authorized Audi dealer will replace the engine control module (ECM). This work will take about an hour to complete and will be performed for you free of charge. Please keep in mind that your dealer may need additional time for the preparation of the repair, as well as to accommodate their daily workshop schedule.

What should you do? Please contact your authorized Audi dealer without delay to schedule this recall work.

Lease vehicles and address changes If you are the lessor and registered owner of the vehicle identified in this letter, you shall forward this letter (and any subsequent notice, if applicable) to the lessee within ten (10) days of receipt. If you have changed your address or sold the vehicle identified in this letter, please fill out the enclosed prepaid Owner Reply Card and mail it to us so we can update our records.

Reimbursement of Expenses If you have previously paid for repairs relating to the condition described in this letter, the enclosed form explains how to request reimbursement. We would be pleased to review your reimbursement request.

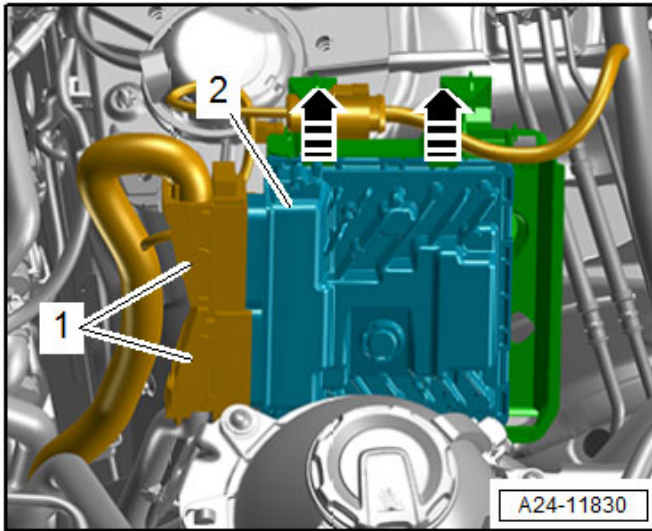
Can we assist you further? If your authorized Audi dealer fails or is unable to complete this work free of charge within a reasonable time, please contact Audi Customer Relations Monday through Friday from 8AM to 8PM EST at 1-800-822-2834 or via our "Contact Audi Canada" page at www.audi.ca.

We apologize for any inconvenience this matter may cause; however we are taking this action to help ensure your safety and continued satisfaction with your vehicle.

Sincerely,

Audi Customer Protection

Repair Overview



- Replace engine control module.

NOTE

- These repair instructions may differ from the labor operations and labor times listed in ELSA.
- Damages resulting from improper repair or failure to follow these work instructions are the dealer's responsibility and are not eligible for reimbursement under this action.
- This procedure must be read in its entirety prior to performing the repair.
- Due to variations in vehicle equipment and options, the steps/illustrations in this work procedure may not identically match all affected vehicles.
- Diagnosis and repair of pre-existing conditions in the vehicle are not covered under this action.
- When working during extreme temperatures, it is recommended that the vehicle be allowed to acclimate inside the shop to avoid temperature-related component damage/breakage.

Repair Instruction

Section A - Check for Previous Repair

| Applicable criteria ID(s) | Campaign/Action Status |
|---------------------------|------------------------|
| 01 ← 2 | Open ← 1 |

EXAMPLE

| Campaign/Action | Start | Designation |
|-----------------|------------|--------------|
| ← 3 → | 2015-11-10 | W-SERV_ACT - |
| | 2018-12-13 | RECALL - |
| | 2017-05-16 | A-RECALL - |

EXAMPLE

- Enter the VIN in Elsa and proceed to the “Campaign/Action” screen.

TIP

On the date of repair, print this screen and keep a copy with the repair order.

- Confirm the Campaign/Action is open <arrow 1>. If the status is closed, no further work is required.
- Note the Applicable Criteria ID <arrow 2> for use in determining the correct work to be done and corresponding parts associated.

CRITICAL REPAIR STEP

 **STOP!** 

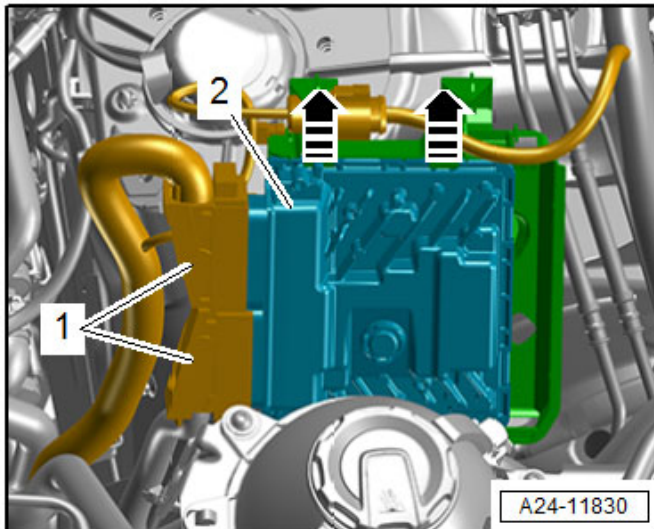
If multiple software update Campaign/Actions are open, they must be performed in order of the Start date <arrow 3>. The oldest should be performed first.

- **All Safety Recalls must be completed prior to completing this campaign.**
- **Proceed to Section B.**

Section B – Repair Procedure

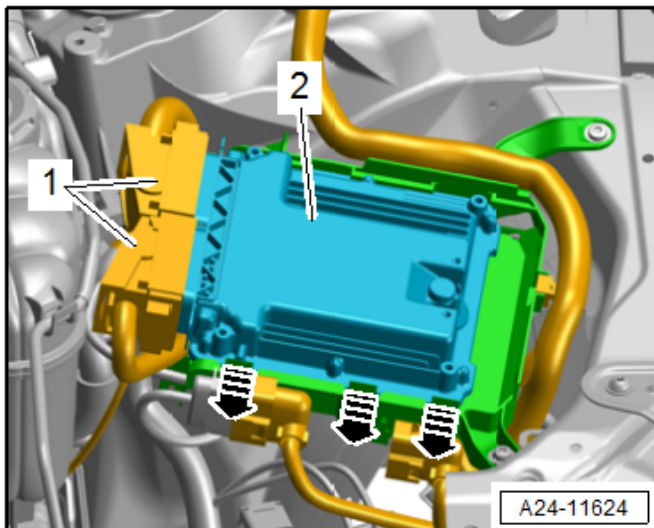
Start Guided Functions test plan:

- Connect the Diagnostic Tester to the vehicle.
- Select the “Engine Control Module, Replacing” test plan in Guided Functions.
- Follow the on-screen prompts.



Replacing ECM (Q5, Q5 Sportback):

- Open the retainers in direction of <arrows> and remove the ECM -J623-<2>.
- Disconnect the connectors <1>.
- Install the new ECM in the reverse order of removal.



Replacing ECM (A4, A5 and A6):

- Open the retainers in direction of <arrows> and remove the ECM <2>.
- Disconnect the connectors <1>.
- Install the new ECM in the reverse order of removal.

Complete Guided Functions test plan:

- Continue the “Engine Control Module, Replacing” test plan in Guided Functions.
- Follow the on-screen prompts.

Proceed to Section C

Section C – Campaign Completion Stamp

I certify that this campaign
has been performed in strict
accordance with the applicable
Audi repair procedure.

SAGA Code: _____
Technician: _____
Date: _____

Item#: AUD4927ENG

-OR-

Je certifie que cette
campagne de rappel a été
exécutée suivant les strictes
directives de réparation
d'Audi

Code de SAGA: _____
Technicien: _____
Date: _____

Item # AUD4927FRE

- Once the campaign has been completed, the technician should stamp the repair order.
- Stamps are available for ordering through the Compliance Label Ordering Portal.

Proceed to Section D

Section D - Parts Return/Disposal

Properly store (retain), destroy or dispose of removed parts in accordance with all state/province and local requirements, unless otherwise indicated and/or requested through the Warranty Parts Portal (WPP) for U.S. and the Part Destruction and Core Disposition Report for Canada.