

SERVICE PROCEDURE

22508
JUNE, 2022

**SUBJECT: SAFETY RECALL
BENDIX WINGMAN PREWIRE on certain
International® HV™, MV™ Series trucks and IC Bus®
RE commercial buses built 26 August 2021 thru 18
March 2022 with feature code 0008TXK or 0008TXM
(Bendix Wingman Prewire option)**

CUSTOMER LETTER

Print ready (PDF file) copy of the [Customer Letter](#)

DEFECT DESCRIPTION

The suspect vehicles may have been built without the warning label to notify the driver that the collision mitigation system is not operational, as the vehicle was built without a forward radar unit installed. Failure to warn the driver that the collision mitigation system is not operational may increase the risk of a vehicle crash.

MODELS INVOLVED

This safety recall involves certain International® HV™, MV™ Series trucks and IC Bus® RE commercial buses built 26 August 2021 thru 18 March 2022 with feature code 0008TXK or 0008TXM (Bendix Wingman Prewire option)

ELIGIBILITY

This procedure applies ONLY to vehicles marked in the International® Service PortalSM with Safety Recall 22508. Also complete any other open campaigns listed on the Service Portal at this time.

PARTS INFORMATION

Part Number	Part Description	Quantity
Shipped with Customer Notice	Warning Label	1 Per Vehicle

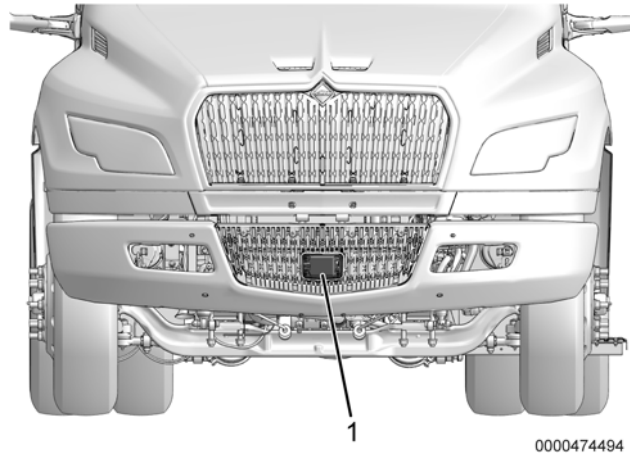
SERVICE PROCEDURE

WARNING! To prevent personal injury and / or death, or damage to property, park vehicle on hard flat surface, turn the engine off, set the parking brake and install wheel chocks to prevent the vehicle from moving in either direction.

WARNING! To prevent personal injury and / or death, always wear safe eye protection when performing vehicle maintenance.

WARNING! To prevent personal injury and / or death, or damage to property, keep flames or sparks away from vehicle and do not smoke while servicing the vehicle's batteries. Batteries expel explosive gases.

1. Park vehicle on flat surface.
2. Shift transmission to Park or Neutral and set parking brake.
3. Turn vehicle ignition to Key OFF position.
4. Install wheel chocks.



0000474494

Figure 1. Radar Unit

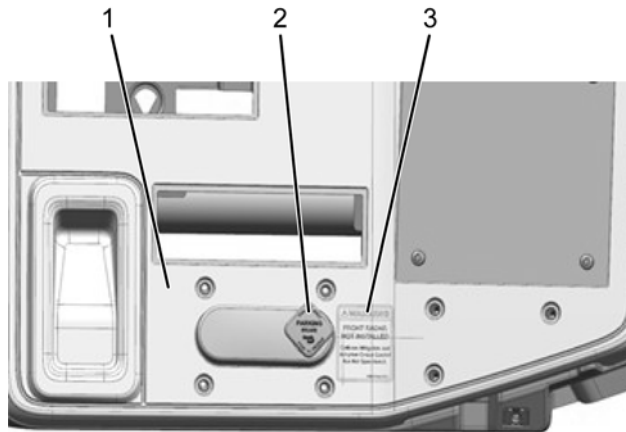
1. Radar installed
5. Determine if forward radar is installed. Radar unit located at center of front bumper.
 - a. If radar unit is installed (Figure 1, Item 1), no additional action is required. Proceed to Step 11.
 - b. If radar unit is not installed, continue with Step 6.



0000474495

Figure 2. Camera Location

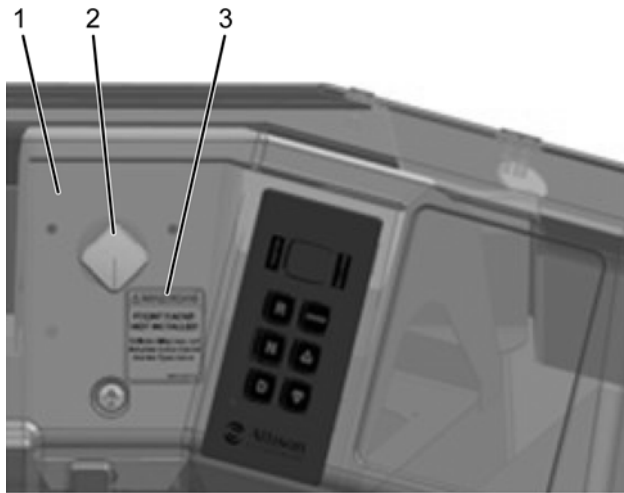
1. Camera
 2. Label
-
6. Determine if camera is installed, located at center top section of front windshield (Figure 2, Item 1).
 - a. If camera is installed, and no label is present, clean back of camera and install label (Figure 2, Item 2). Proceed to Step 11.
 - b. If camera is not installed, proceed to Step 7 (HV / MV Series Trucks) or Step 9 (RE Series Bus).



0000474496

Figure 3. HV / MV Series Trucks

1. Dash panel
 2. Park brake knob
 3. Warning label
7. For HV / MV Series trucks, determine if warning label (Figure 3, Item 3) is installed adjacent to park brake knob (Figure 3, Item 2).
 - a. If label is installed, proceed to Step 11.
 - b. If label is not installed, proceed to Step 8.
 8. Clean dash panel (Figure 3, Item 1) located adjacent to park brake knob (Figure 3, Item 2) and install label (Figure 3, Item 3). Proceed to Step 11.



0000474497

Figure 4. RE Series Bus

1. Dash panel
2. Park brake knob
3. Label

9. For RE Series buses, determine if warning label (Figure 4, Item 3) is installed adjacent to park brake knob (Figure 4, Item 2).
 - a. If label is installed, proceed to Step 11.
 - b. If label is not installed, proceed to Step 10.
10. Clean dash panel (Figure 4, Item 1) located adjacent to park brake knob (Figure 4, Item 2) and install label (Figure 4, Item 3). Proceed to Step 11.
11. Remove wheel chocks.

END OF SERVICE PROCEDURE

LABOR INFORMATION

Operation Number	Description	Time
A40-22508-1	Inspect / Install label	0.3 hrs

CAMPAIGN IDENTIFICATION LABEL

Each vehicle corrected in accordance with this campaign must be marked with a CTS-1075 Campaign Identification Label.

Complete the label and attach on a clean surface next to the vehicle identification number (VIN) plate.

DO NOT REMOVE
INTERNATIONAL
Campaign No.
VIN
Eng.#
COMPLETED
Service Location Code #
DO NOT REMOVE

ADMINISTRATIVE / DEALER RESPONSIBILITIES

WARRANTY CLAIMS

Warranty claim expense is to be charged to Warranty. Claims are to be submitted in the normal manner, making reference to Safety Recall 22508.

Section 7 of the Warranty Policy and Procedures Manual contains further information related to the submission and processing of AFC / Recall claims.

As with all claim submissions, items acquired locally must be submitted in the "Other Charges" tab. The cost of any bulk items (such as a bag of cable tie straps, roll of wire, barrel of oil, or tube of silicone) should be prorated for the cost of the individual pieces / amount used during each repair.

	GROUP	NOUN	C	WARR.	TP	PAD
GROUP — Enter number						
NOUN — Leave blank						
C (CAUSE) — Enter either 1, 2, 3. (See below)						
1. Inspected (No repair required).						
2. Inspected and repaired.						
3. Defective part from parts stock.						
WARRANTY — (Warranty Code) Enter 40.						
TYPE PART — Enter P for type part causing failure.						
PAD — Enter 100						

0000047910

UNITED STATES AND POSSESSIONS

The National Traffic and Motor Vehicle Safety Act, as amended, provides that each vehicle that is subject to a vehicle recall campaign must be adequately repaired within a reasonable time after the owner has tendered it for repair. A failure to adequately repair within 60 days after a tender of a vehicle is prima facie evidence of failure to repair within a reasonable time. If the condition is not adequately repaired within 60 days, the owner may be entitled to replacement with an identical or reasonable equivalent vehicle at no charge, or to a refund of the purchase price less a reasonable allowance for depreciation.

Dealers must correct all vehicles subject to this campaign at no charge to the owner, regardless of mileage, age of vehicle, or ownership, from this time forward.

Dealers should proceed immediately to make necessary correction to units in inventory. All inventory vehicles subject to this recall campaign must be corrected prior to sale, transfer or delivery. If vehicles have been sold or transferred and you are in receipt of Customer Notification Letters and Authorization for Recall Service cards for those vehicles, the transfer location or customer must be notified immediately from your dealer location.

Dealers must make every effort to promptly schedule an appointment with each owner to repair his or her vehicle as soon as possible. However, consistent with the customer notification, dealers are expected to complete the repairs on the mutually agreed upon service date.

Dealers involved in the recall process will be furnished a listing of owner names and addresses to enable them to follow up with owners and have the vehicles corrected. Use of this listing must be limited to this campaign because the list may contain information obtained from state motor vehicle registration records, and the use of such motor vehicle registration data for purposes other than this campaign is a violation of law in several states.

CANADA

Dealers must correct all vehicles subject to this campaign at no charge to the owner, regardless of mileage, age of vehicle, or ownership, from this time forward.

Dealers should proceed immediately to make necessary correction to units in inventory. All inventory vehicles subject to this recall campaign must be corrected prior to sale, transfer or delivery. If vehicles have been sold or transferred and you are in receipt of Customer Notification Letters and Authorization for Recall Service cards for those vehicles, the transfer location or customer must be notified immediately from your dealer location.

Dealers must make every effort to promptly schedule an appointment with each owner to repair his or her vehicle as soon as possible. However, consistent with the customer notification, dealers are expected to complete the repairs on the mutually agreed upon service date.

Dealers involved in the recall process will be furnished a listing of owner names and addresses to enable them to follow up with owners and have the vehicles corrected. Use of this listing must be limited to this campaign because the list may contain information obtained from state motor vehicle registration records, and the use of such motor vehicle registration data for purposes other than this campaign is a violation of law in several states.

EXPORT

Export Distributors should proceed immediately to make necessary correction to units in inventory. All inventory vehicles subject to this recall campaign must be corrected prior to sale, transfer or delivery. If vehicles have been sold or transferred and you are in receipt of Customer Notification Letters and Authorization for Recall Service cards for those vehicles, the transfer location or customer must be notified immediately from your distributor location.

Export Distributors are to submit warranty claims in the usual manner making reference to this recall number.

Export Distributors are expected to provide full cooperation and follow-up with respect to this important subject matter. If you have any questions or need further assistance, please contact the Regional Service Manager at your regional office.

NAVISTAR, INC.