

ANA5 – Reworking Wiring Harness for Front Seats (Stop Delivery/Recall Campaign)

Model Line: **Taycan (Y1A)
Taycan Cross Turismo (Y1B)
Taycan Sport Turismo (Y1C)**

Model Year: **As of 2020 up to 2022**

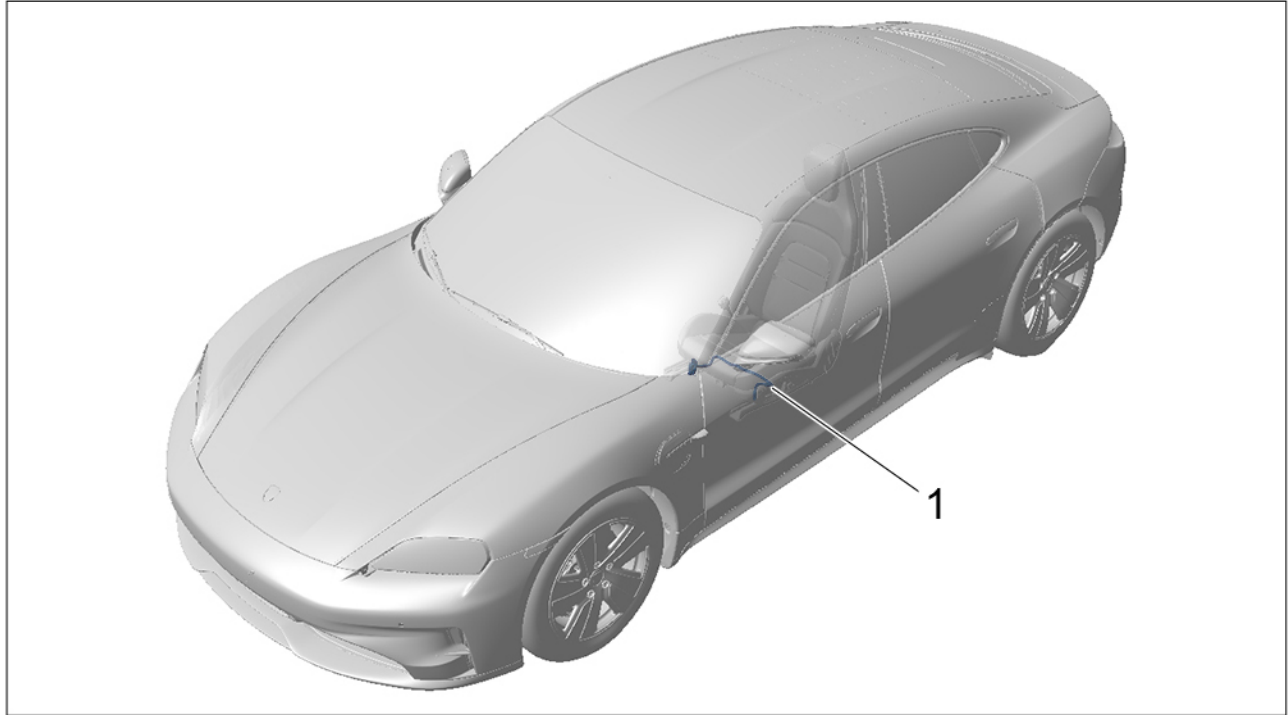
Concerns: **Wiring harness for front seats on vehicle side**

Information: **There is a possibility that the protective fabric hose for the front seat wire harness on the affected vehicles will be damaged longitudinally when adjusting the seat and can then be pulled into the drive spindle for seat adjustment.**
This can block the seat adjustment, damage the wiring harness and activate the airbag warning light in the instrument cluster. In rare cases, the occupant protection system may be impaired.

Action required: Check protective tube for fabric, wiring harness and drive spindle on the front seats, rework them and repair them if necessary.

Affected Vehicles: Only vehicles assigned to the campaign (see also PCSS Vehicle Information).

Installation
Position:



Installation position of wiring harness for front seat (shown on front left seat)

1 – Front seat wiring harness (reworking)

Required parts and materials

Required parts:

Part No.:	Part No.	Designation – Location	Number
	V04015483A	⇒ External hexagon round-head bolt M10 x 28 – Mounting for front seat	8 pieces

Materials: **Required materials** (usually already available at the Porsche dealer):

Part No.	Designation	Quantity
ANA50000001 ¹⁾	⇒ Textile fabric tape width approx 40 – 50 mm/ 1.57 - 1.97 in. e.g. TESA 51608-00025-00	1 piece

Additional materials required if the wiring harness must be repaired:

Part No.	Designation	Quantity
ANA50000002 ²⁾	⇒ Connecting sleeve (crimping sleeve) – commercially available	As required
	⇒ Repair cable – commercially available	Length as required
	⇒ Heat shrink-fit hose – commercially available	As required

1) This item must be invoiced in the warranty claim as an additional part under the part number **ANA50000001** with the description "**expendable items textile fabric tape**" as an additional part.

2) This item must be invoiced in the warranty claim as an additional part under the part number **ANA50000002** with the description "**expendable items wiring harness**" as an additional part.

Required tools

- Tool:
- Battery charger with a current rating of **at least 90 A** and - if required - **also** with a **current and voltage controlled charge map** for lithium starter batteries, e.g. **VAS 5908 90 A battery charger**.
 - **9900 - PIWIS Tester 3**
 - Torque wrench, 40-200 Nm (30-148 ftlb.), e.g. **V.A.G 1332A - Torque wrench, 40-200 Nm (30-148 ftlb.)**

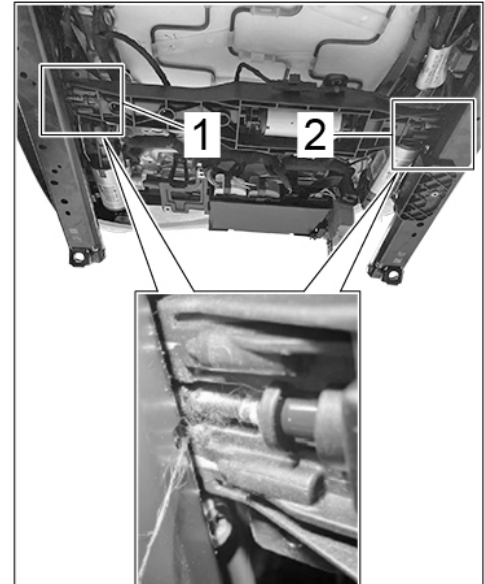
Additional tools required if the wiring harness must be repaired:

- **VAS 1978/3 - Stripping pliers**
- **VAS 1978/1A Crimping pliers**
- **VAS 1978/14A Hot-air blower**

Removing front seats and checking drive spindle

- Work Procedure: 1 Remove left and right front seats. ⇒ *Workshop Manual '720119 Remove and install front seat'*
- 2 Check drive spindle for seat fore-and-aft adjustment at the left ⇒ *Drive spindle for seat fore-and-aft adjustment -1-* and right ⇒ *Drive spindle for seat fore-and-aft adjustment -2-* on **both front seats** for trapped fibres from the protective tube for fabric.

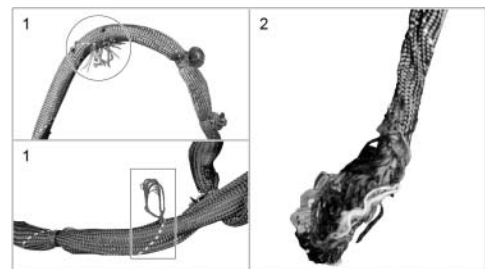
If the drive spindle is contaminated with fabric fibres, remove them using a suitable tool.
Then continue with: ⇒ *Technical Information '720119 Checking protective tube for fabric and wiring harness'*



Drive spindle for seat fore-and-aft adjustment

Checking protective tube for fabric and wiring harness

Work Procedure: 1 Check protective tube for fabric on the front seat wire harness for loose fibres ⇒ *Protective tube for fabric and front-seat wiring harness -1-* or damage ⇒ *Protective tube for fabric and front-seat wiring harness -2-*.



Protective tube for fabric and front-seat wiring harness

Assessment	Action
There are no loose fibres or damage visible on the protective tube for fabric.	Rework wiring harness, continue with section: ⇒ <i>Technical Information '720119 Reworking wire harness for front seats'</i>

<p>There are loose fibres visible on the protective tube for fabric and the electric wiring harness is not damaged.</p>	<p>Remove loose fibres and rework wiring harness. Continue with section: ⇒ <i>Technical Information '720119 Reworking wire harness for front seats'</i></p>
<p>There is damage visible on the protective tube for fabric and the electric wiring harness.</p>	<p>Repair electric line, remove loose fibres from the fabric protective tube and rework wiring harness. Continue with section: ⇒ <i>Technical Information '720119 Repair wire harness'</i></p>

Repairing wiring harness



Information

Choose a place for the joint where there is enough space for connecting all the individual lines.

Do not cut the lines too short in case they have to be laid in a different position if there is insufficient space in the area of the joint.



Information

The greatest care must be used in the individual work steps for stripping insulation from, crimping, and shrinking/insulating the electrical wires.

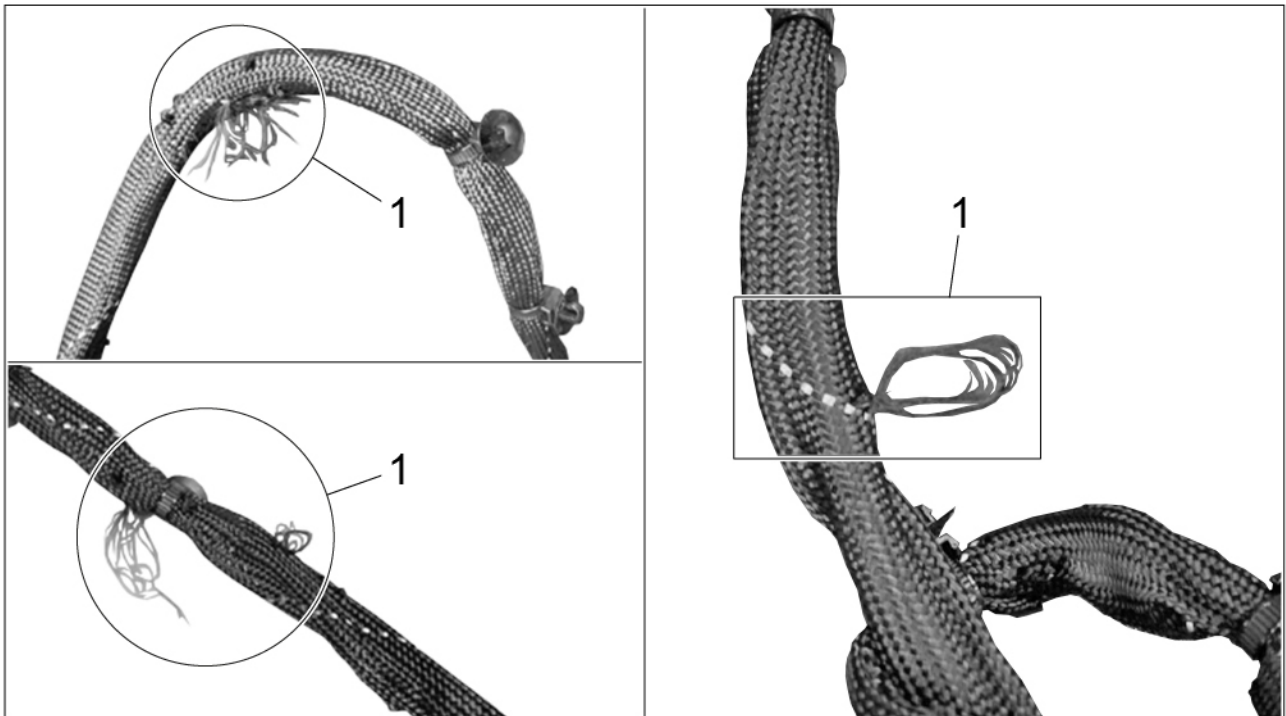
The procedure for stripping insulation from, crimping, and shrinking/insulating the electrical wires must be complied with and observed.

Crimping samples must be prepared before beginning work.

- Work Procedure: 1 If one or more electric lines are cut on the wiring harness or if the insulation is damaged, the relevant section of the electric line must be repaired.
- 1.1 To do this, cut out the damaged area of the electric lines.
If several electric lines are damaged, make sure to select the connection points at different areas of the wire harness.
 - 1.2 Cut repair cable for the damaged electric line to the required length.
 - 1.3 Slide shrink-fit hoses onto the lines.
 - 1.4 Strip 10 mm of insulation off electrical wires.
 - 1.5 Crimp electric lines using crimping sleeves and **crimping pliers**.
 - 1.6 Slide shrink-fit hose over the crimp connections and carefully shrink it to make it watertight using the **hot-air blower**.
 - 1.7 Wrap commercially available PVC tape all around the joints.
- 2 After carrying out repairs, continue with section: ⇒ *Technical Information '720119 Reworking wire harness for front seats'*

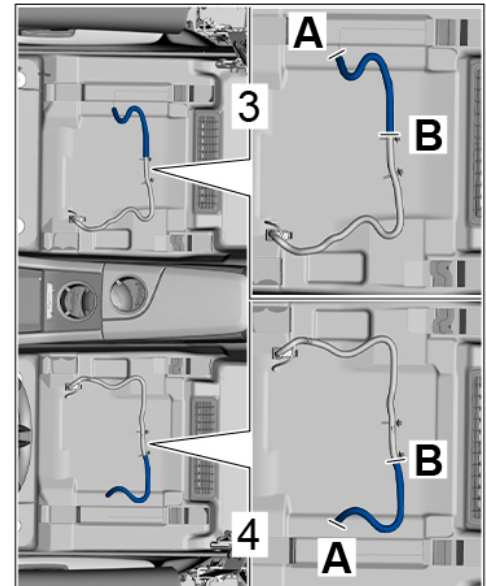
Reworking wire harness for front seats

Work Procedure: 1 If \Rightarrow *Loose fibres -1-* there are loose fibres on the protective tube for fabric, carefully remove these using a suitable tool.



Loose fibres

- 2 Tightly wrap the wiring harness on the front right ⇒ *Reworking wire harness -3-* and left seat, ⇒ *Reworking wire harness -4-* including the protective tube for fabric, between the outlet opening on the carpeting ⇒ *Reworking wire harness -A-* and the first fastening clip on the seat frame ⇒ *Reworking wire harness -B-*. The textile fabric tape should overlap by approx. 1/3.



Reworking wire harness

Concluding work

- Work Procedure: 1 Install the left and right front seat . ⇒ *Workshop Manual '720119 Remove and install front seat'*
- 2 Read out and erase fault memories.
 - 3 Enter the campaign in the Guarantee and Maintenance booklet.

Warranty processing



Information

The specified working time was determined specifically for carrying out this campaign and includes all necessary preliminary and subsequent work.

The working time may differ from the working times published in the Labor Operation List in the PCSS.

Scope 1: **Reworking wire harness for front seats**

- **Only** valid for vehicles that have not yet been delivered to customers:

Labor time:

Replace driver assistance systems holder Labor time: **110 TU**

Includes: Removing and installing front seats
 Checking and cleaning drive shaft for left and right seat adjustment
 Check wiring harness on the left and right and if necessary wrap fabric tape around them
 Reading out and erasing fault memories

Required parts:

V04015483A External hexagon round-head bolt M10 x 28 8 pieces

Materials required:

ANA50000001 ¹⁾ Textile fabric tape width approx 40 – 50 mm/ 1.57 - 1.97 in. 1 piece

¹⁾ For warranty processing, enter the Part No. **ANA50000001** with the description "expendable items fabric tape" as an **additional part** costing \$1.88 in the warranty claim.

⇒ **Damage code ANA5 099 000 1**

Scope 2:

Reworking wire harness for front seats

- **Only** valid for vehicles that have already been delivered to customers:

Labor time:

Replace driver assistance systems holder Labor time: **126 TU**

Includes: Removing and installing front seats
 Checking and cleaning drive shaft for left and right seat adjustment
 Check wiring harness on the left and right and if necessary wrap fabric tape around them
 Reading out and erasing fault memories

Required parts:

V04015483A External hexagon round-head bolt M10 x 28 8 pieces

Materials required:

ANA50000001 ¹⁾ Textile fabric tape width approx 40 – 50 mm/ 1.57 - 1.97 in. 1 piece

1) For warranty processing, enter the Part No. **ANA50000001** with the description "expendable items fabric tape" as an **additional part** costing \$1.88 in the warranty claim.

⇒ **Damage code ANA5 099 000 1**

Scope 3:

Repairing and reworking wiring harness for front seats (1 - 9 electric lines repaired)

Labor time:

Replace driver assistance systems holder Labor time: **197 TU**

- Includes:
- Removing and installing front seats
 - Checking and cleaning drive shaft for left and right seat adjustment
 - Check wiring harness on the left and right and if necessary wrap fabric tape around them
 - 1 - 9 Repairing electric lines
 - Reading out and erasing fault memories

Required parts:

V04015483A External hexagon round-head bolt M10 x 28 8 pieces

Materials required:

- ANA50000001 ¹⁾ Textile fabric tape width approx 40 – 50 mm/ 1.57 - 1.97 in. 1 piece
- ANA50000002 ²⁾ Connecting sleeve, repair cable, heat shrink hose 1 piece

1) For warranty processing, enter the Part No. **ANA50000001** with the description "expendable items fabric tape" as an **additional part** costing \$1.88 in the warranty claim.

2) For warranty processing, enter the Part No. **ANA50000002** with the description "expendable items wiring harness" as an **additional part** costing \$1.88 in the warranty claim.

⇒ **Damage code ANA5 099 000 1**

Scope 4: **Repairing and reworking wiring harness for front seats (10 - 18 electric lines repaired)****Labor time:**Replace driver assistance systems holder Labor time: **269 TU**

Includes:

- Removing and installing front seats
- Checking and cleaning drive shaft for left and right seat adjustment
- Check wiring harness on the left and right and if necessary wrap fabric tape around them
- 10 - 18 Repairing electric lines
- Reading out and erasing fault memories

Required parts:

V04015483A	External hexagon round-head bolt M10 x 28	8 pieces
------------	---	----------

Materials required:

ANA50000001 ¹⁾	Textile fabric tape width approx 40 – 50 mm/ 1.57 - 1.97 in.	1 piece
---------------------------	--	---------

ANA50000002 ²⁾	Connecting sleeve, repair cable, heat shrink hose	1 piece
---------------------------	---	---------

¹⁾ For warranty processing, enter the Part No. **ANA50000001** with the description "expendable items fabric tape" as an **additional part** costing \$1.88 in the warranty claim.

²⁾ For warranty processing, enter the Part No. **ANA50000002** with the description "expendable items wiring harness" as an **additional part** costing \$3.75 in the warranty claim.

⇒ **Damage code ANA5 099 000 1**

Important Notice: Technical Bulletins issued by Porsche Cars North America, Inc. are intended only for use by professional automotive technicians who have attended Porsche service training courses. They are written to inform those technicians of conditions that may occur on some Porsche vehicles, or to provide information that could assist in the proper servicing of a vehicle. Porsche special tools may be necessary in order to perform certain operations identified in these bulletins. Use of tools and procedures other than those Porsche recommends in these bulletins may be detrimental to the safe operation of your vehicle, and may endanger the people working on it. Properly trained Porsche technicians have the equipment, tools, safety instructions, and know-how to do the job properly and safely. Part numbers listed in these bulletins are for reference only. The work procedures updated electronically in the Porsche PIWIS diagnostic and testing device take precedence and, in the event of a discrepancy, the work procedures in the PIWIS Tester are the ones that must be followed.

© 2022 Porsche Cars North America, Inc.