



April 13, 2022

'owner'
'address1'
'city', 'state' 'zip'

IMPORTANT SAFETY RECALL 22V-138

This notice applies to your vehicle

Dear Terex Equipment Owner,

This notice is sent to you in accordance with the requirements of the National Traffic and Motor Vehicle Safety Act.

REASON FOR NOTICE

Bulletin SN708 is for Terex model 2016-2021 OM, TCX, and Optima HRX dual platform aerial devices, produced from June 2016 through November 2021, that may have Emergency STOP controls that fail to stop all functions at the upper controls. The Emergency STOP controls will stop the function of the controls at its respective control station but may not stop the function of the controls in the other control station. Failure to correct the operation of the Emergency STOP controls may result in the inability to stop inadvertent machine movement, increasing the risk of injury.

WHAT TEREX WILL DO

Terex will provide Field Service Kit Z1648 or Z1649 for installation on your unit at no cost to the owner. Field Service Kit Z1648 will add a Stop/Start plunger to the passenger's control station and will add Emergency STOP placards to both upper control stations. Field Service Kit Z1649 will add Emergency STOP placards to both upper control stations and is intended for machines that are already equipped with Engine Stop/Start plungers at both upper control stations.

Contact Terex Utilities; through your nearest TEREX Utilities dealer as shown on the web site, terexutilities.com, call Terex Utilities Warranty Department at 1-844-837-3948 or by email at utilities.warranty@terex.com with any questions. If you have sold the unit involved in this bulletin forward this bulletin to the new owner within 10 days and notify Terex of the serial number and contact information for the new owner.

WHAT THE OWNER MUST DO

The owner must inspect their equipment and correct if required.

1. Immediately inform all users, operators, and supervisors that the operation of the Emergency STOP must be inspected from both platforms within 10 days of receiving this bulletin. This bulletin only applies to OM, TCX, and Optima HRX models with dual platforms.
2. Inspect the operation of the Emergency STOP control from both platforms. If the Emergency STOP is activated in either platform, the boom controls should not operate from either platform.
3. If activation of either Emergency STOP control allows boom operation from either platform, this bulletin applies.
 - a. If your machine is equipped with Engine Stop/Start only at one platform control station, contact Terex using one of the contact methods listed in the "What Terex will Do" section within 10 days of receiving this bulletin to arrange for installation of Field Service Kit Z1648. See the continued use section for further instructions until Field Service Kit Z1648 is installed.
 - b. If your machine is equipped with Engine Stop/Start at both platform control stations, refer to the Field Service Kit Z1649 instructional drawing to install Emergency STOP placards at the upper control stations and for Emergency STOP validation. After completing the placard installation and Emergency STOP validation, complete the enclosed Completion Form and return it to Terex. Once this is complete, the unit can be used following all operator, maintenance, and inspection requirements as specified in the manuals.

Terex South Dakota, Inc.
3140 15th Ave SE
Watertown, SD 57201 USA
1-844-837-3948 • Fax 1-605-882-1842

4. If activation of either Emergency STOP control prevents boom operation from both platforms, this bulletin does not apply. The unit can be used following all operator, maintenance, and inspection requirements as specified in the manuals.

CONTINUED USE

1. Inform the users of the content of this bulletin and remind them of the daily pre-shift inspection requirements.
2. If the Emergency STOP control does not stop all boom functions, utilize one of the following procedures to stop all boom functions:
 - a. Activate the Emergency STOP control in both platforms or press the Engine Stop/Start plunger at either platform control (if equipped).
 - b. At the lower control station, move the selector to Lower or Emergency STOP.
 - c. At the rear of the chassis, press the Emergency STOP button or move the selector to the outrigger position; if safe to do so, if in contact with the ground.
3. Always follow inspection and maintenance requirements as specified in the manuals.

If you have any questions you can find your nearest dealer at this web site:
<http://www.terex.com/utilities/en/products/dealer-locator/index.htm>.

If you take your unit to your dealer on the agreed service date and they do not remedy this condition on that date or within three (3) working days of scheduled appointment, we recommend you contact Terex Utilities Warranty department by calling 1-844-837-3948.

Note to Owners: If the manufacturer or their dealer has failed or is unable to remedy the defect/noncompliance condition without charge or within a reasonable amount of time you can notify:

Administrator
 National Highway Traffic Safety Administration
 1200 New Jersey Avenue, SE, West Building,
 Washington, DC 20590
 Or call the toll-free DOT auto Safety Hotline at 1-888-327-4236 (TTY: 1-800-424-9153; or go to <http://www.safercar.gov>.)

If you have had your unit repaired for this issue prior to receipt of this notice, you may be eligible for reimbursement. For more information, please contact Terex Utilities at the above contact information.

If you have sold or retired the unit please let us know by contacting the Terex Utilities Warranty department at 1-844-837-3948 or send the serial number and new owner contact information to utilities.warranty@terex.com . Forward this Notice to the new owner within 10 days of receipt of this letter.

If you have leased this vehicle to another person, forward a copy of this notice to the lessee within ten days of your receipt of this notice.

Thank you for your immediate attention on this important matter,

Jeff Hegstrom
 Product Support Manager

Our records indicate the following machines, registered to you, are involved in SN708.

Model	Serial Number
'model'	'Serial number'



Terex Utilities

SAFETY NOTICE

SN708

DATE: 3/3/2022

REVISED:

TO: Owners, Users, Dealers, and Installers

MODELS AFFECTED: OM, TCX, & Optima HRX

SUBJECT: Dual Platform Emergency STOP

Issue:

Terex model OM, TCX, and Optima HRX dual platform aerial devices, produced from June 2016 through November 2021, may have Emergency STOP controls that fail to stop all functions at the upper controls. The Emergency STOP controls will stop the function of the controls at its respective control station but may not stop the function of the controls in the other control station. **Failure to correct the operation of the Emergency STOP controls may result in the inability to stop inadvertent machine movement.**

Action:

What the Owner Must Do:

The owner must inspect their equipment and correct if required.

1. Immediately inform all users, operators, and supervisors that the operation of the Emergency STOP must be inspected from both platforms within 10 days of receiving this bulletin. This bulletin only applies to OM, TCX, and Optima HRX models with dual platforms.
2. Inspect the operation of the Emergency STOP control from both platforms. If the Emergency STOP is activated in either platform, the boom controls should not operate from either platform.
3. If activation of either Emergency STOP control allows boom operation from either platform, this bulletin applies.
 - a. If your machine is equipped with Engine Stop/Start only at one platform control station, contact Terex using one of the contact methods listed in the "What Terex will Do" section within 10 days of receiving this bulletin to arrange for installation of Field Service Kit Z1648. See the continued use section for further instructions until Field Service Kit Z1648 is installed.
 - b. If your machine is equipped with Engine Stop/Start at both platform control stations, refer to the Field Service Kit Z1649 instructional drawing to install Emergency STOP placards at the upper control stations and for Emergency STOP validation. After completing the placard installation and Emergency STOP validation, complete the enclosed Completion Form and return it to Terex. Once this is complete, the unit can be used following all operator, maintenance, and inspection requirements as specified in the manuals.
4. If activation of either Emergency STOP control prevents boom operation from both platforms, this bulletin does not apply. The unit can be used following all operator, maintenance, and inspection requirements as specified in the manuals.

Continued Use:

1. Inform the users of the content of this bulletin and remind them of the daily pre-shift inspection requirements.

2. If the Emergency STOP control does not stop all boom functions, utilize one of the following procedures to stop all boom functions:
 - a. Activate the Emergency STOP control in both platforms or press the Engine Stop/Start plunger at either platform control (if equipped).
 - b. At the lower control station, move the selector to Lower or Emergency STOP.
 - c. At the rear of the chassis, press the Emergency STOP button or move the selector to the outrigger position; if safe to do so, if in contact with the ground.
3. Always follow inspection and maintenance requirements as specified in the manuals.

What Terex will Do:

Terex will provide Field Service Kit Z1648 or Z1649 for installation on your unit at no cost to the owner. Field Service Kit Z1648 will add a Stop/Start plunger to the passenger's control station and will add Emergency STOP placards to both upper control stations. Field Service Kit Z1649 will add Emergency STOP placards to both upper control stations and is intended for machines that are already equipped with Engine Stop/Start plungers at both upper control stations.

Contact Terex Utilities; through your nearest TEREX Utilities dealer as shown on the web site, terexutilities.com, call Terex Utilities Warranty Department at 1-844-837-3948 or by email at utilities.warranty@terex.com with any questions. If you have sold the unit involved in this bulletin forward this bulletin to the new owner within 10 days and notify Terex of the serial number and contact information for the new owner.

Dealers and Installers: A letter is being sent to owners of affected units. If the owner contacts you, inform owners it will take approximately 3 hours to complete the repair if Field Service Kit Z1648 is required and 10 minutes to complete the repair if Field Service Kit Z1649 is required. Labor allowance is 3 hours to install Field Service Kit Z1648.

Only OM, TCX, and Optima HRX models with dual platforms are involved. If the owner contacts you call TEREX Utilities Warranty Department at 1-844-837-3948 with the serial number for instructions.

Affected units, as shown on the owner letter, will have the repairs performed at no charge to the owner. Free replacement is not mandatory for upgrades or improvements.

Important: Some of the involved units may be in rental fleets. Federal Law requires you to complete the recall service on these units before renting, or to inform the renters within 10 days of receipt of this bulletin.

Note to Owners: If the manufacturer or their dealer has failed or is unable to remedy the defect/noncompliance condition without charge or within a reasonable amount of time you can notify:

Administrator
National Highway Traffic Safety Administration
1200 New Jersey Avenue, SE, West Building
Washington, DC 20590

Or call the toll-free DOT auto Safety Hotline at 1-888-327-4236 (TTY: 1-800-424-9153; or go to <http://www.safercar.gov> .)

Terex and local industry standards (CSA and ANSI) requires that the purchaser of a Terex unit report to Terex the model and serial number of each machine sold, as well as the name, address, and telephone number of the new owner, within 60 days of the sale. Use the Owner Update Form in the manual to update the owner status of any of your machines. Terex also asks the seller to provide the new owner information so if you require additional copies of the Owner Update Form or have any questions, please contact TEREX Utilities Warranty Department at 1-844-837-3948 or utilities.warranty@terex.com.

Terex, OSHA and local industry standards, also require that the manufacturer's bulletins be completed. It is your responsibility to communicate this important information to all machine owners and applicable branches. If you require additional copies of this bulletin or have any questions, please contact TEREX Utilities at 1-844-837-3948.

To register your Terex Utilities aerial device or digger derrick, click or navigate to the following link:
<https://www.terex.com/utilities/en/support/product-registration>



TEREX

Safety Notice 708

Utilities

Completion Form

OM, TCX, & Optima HRX Dual Platform Emergency Stop

TO AVOID DELAYS IN PROCESSING – PLEASE PRINT LEGIBLY

UNIT INFORMATION (*REQUIRED)

CHECK if new owner

Customer Truck # _____

*Owner Name: _____

Owner Phone Number: _____

*Address req'd if new owner _____

*Truck VIN # _____

*Unit Serial Number: _____ (10 digits)

SERVICE PERFORMED BY (*REQUIRED)

* Date of Repair / Inspection _____

* Service Technician (ST) completing work: _____

* ST Company Name: _____ ST Location: _____

ST Contact Number: _____

*** CHECK ONLY ONE BOX TO VERIFY COMPLETION:**

Activation of the emergency stop control at either platform control station prevents boom operations from either platform. **No further action is needed.**

The Z1648 Field Service Kit for TCX model aerial (only) has been installed on the machine noted above and operates as directed by the applicable work instructions.

The Z1649 Field Service Kit for OM & Optima HRX model aerials (only) has been installed on the machine noted above and operates as directed by the applicable work instructions.

*Note: There is no labor allowance for an inspection only.

-Labor allowance to install the Z1648 FSK is 3.0 hours.

-No labor or travel allowance to install the Z1649 FSK.

Work Order: _____

Comments: _____

RETURN THIS COMPLETED FORM TO TEREX UTILITIES WARRANTY DEPT.
VIA EMAIL TO utilities.warranty@terex.com

REVISIONS				
REV	DESCRIPTION	ECN	DATE	CHK BY / APP BY
A	ORIGINAL	80617	01/28/2022	CRR

LABEL INSTALLATION INSTRUCTIONS
 1. INSTALL AN EMERGENCY STOP LABEL, ITEM 1, AT EACH STOP/START PLUNGER BOTH BOOM TIP CONTROL STATION AS SHOWN IN FIGURES 1 AND 2.

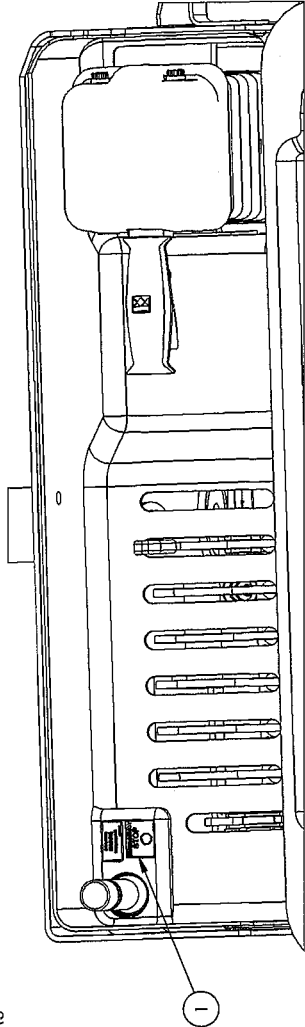


FIGURE 1. PASSENGER CONTROL DECAL INSTALLATION

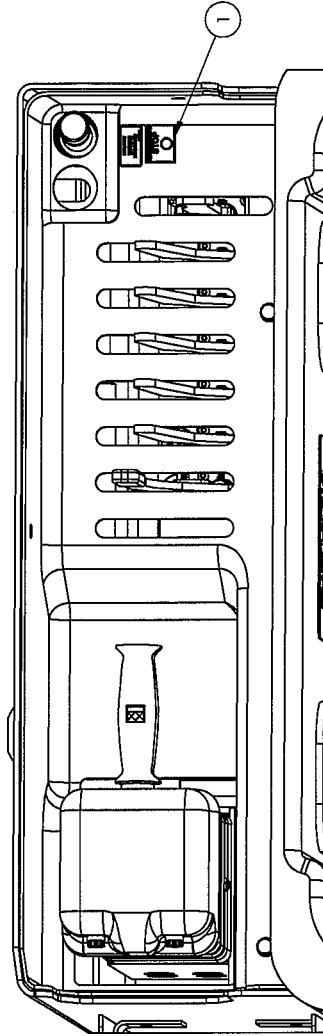


FIGURE 2. OPERATOR CONTROL DECAL INSTALLATION

- TESTING/VALIDATION OF EMERGENCY STOP
1. START THE ENGINE. SET THE OUTRIGGERS, AND OPERATE THE UNIT FROM THE LOWER CONTROLS TO POSITION THE PLATFORM IN THE GROUND ACCESS POSITION.
 2. OPERATE THE UNIT FROM THE UPPER CONTROLS.
 3. PRESS THE EMERGENCY STOP PLUNGER AT THE OPERATOR CONTROL STATION SO THE TRUCK ENGINE STOPS.
 4. VERIFY THAT CONTROL FUNCTIONS AT BOTH THE OPERATOR AND PASSENGER CONTROL STATIONS ARE INOPERABLE.
 5. PRESS AND HOLD EITHER THE OPERATOR OR PASSENGER STOP/START PLUNGER UNTIL THE TRUCK ENGINE STARTS.
 6. PRESS THE EMERGENCY STOP PLUNGER AT THE PASSENGER CONTROL STATION SO THE TRUCK ENGINE STOPS.
 7. VERIFY THAT CONTROL FUNCTIONS AT BOTH THE OPERATOR AND PASSENGER CONTROL STATIONS ARE INOPERABLE.

ITEM	PART NO	PART NAME	REF	QTY
1	468482	LABEL EMERGENCY STOP		

TEREX

DRAWING #: 9158739
 SHEET 1 OF 1

PART NAME: P&S INSTRUCTIONS
 PRODUCT: AERIALS
 MATERIAL: ASST: 9158739
 WASS: LB5
 STOCK CODE: 1/04/2022
 DRAWN BY: CRR DATE: 1/04/2022
 NOT TO SCALE | CRR# 34898

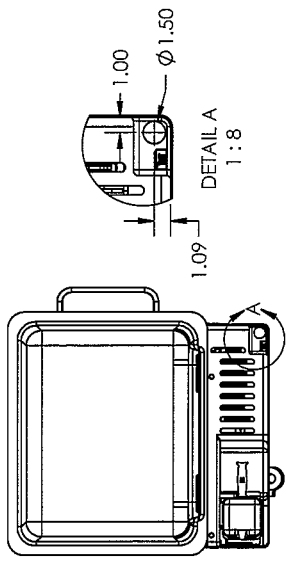
THIS DRAWING, WHICH IS A PART OF THE DESIGN OF THE PRODUCT, IS THE PROPERTY OF TEREX CONSTRUCTION EQUIPMENT COMPANY, INC. IT IS TO BE USED ONLY FOR THE PURPOSES INTENDED AND NOT BE REPRODUCED OR TRANSMITTED IN ANY FORM OR BY ANY MEANS, ELECTRONIC OR MECHANICAL, INCLUDING PHOTOCOPYING, RECORDING, OR BY ANY INFORMATION STORAGE AND RETRIEVAL SYSTEM, WITHOUT THE WRITTEN PERMISSION OF TEREX CONSTRUCTION EQUIPMENT COMPANY, INC.

SWISS MADE FOR WELD REQUIREMENTS, UNLESS OTHERWISE NOTED
 ALL DIMENSIONS ARE IN INCHES
 DO NOT SCALE THE DRAWING WORK
 DIMENSIONS ARE TO CENTER UNLESS OTHERWISE SPECIFIED
 TOLERANCES UNLESS OTHERWISE SPECIFIED:
 FRACTIONS: .0005
 DECIMALS: .0005
 ANGLES: .1°

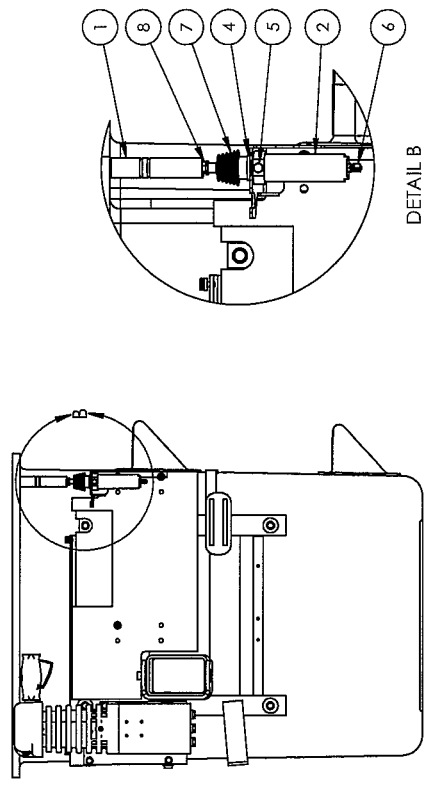
REVISIONS			
REV	DESCRIPTION	ECN	DATE
A	ORIGINAL	80617	01/28/2022

REV	DESCRIPTION	ECN	DATE	CHG BY	APP BY
A	ORIGINAL	80617	01/28/2022	CRR	CRR

- STOP/START PLUNGER INSTALLATION**
 REMOVE COVERS FROM CONTROL AREA OF PASSENGER BASKET.
 1. REMOVE HOLE PLUG OR CUT ϕ 1.50 HOLE IN DASH AS SHOWN IN DETAIL A
 2.



3. INSTALL THE STOP/START PLUNGER AS SHOWN IN DETAIL B. INSTALL THE CABLE TIE, ITEM 3 AROUND THE NEOPRENE BOOT, ITEM 7, TO SECURE THE BOOT TO THE FLANGE NUT, ITEM 4.



COVERS AND CONTROL VALVE NOT SHOWN FOR CLARITY

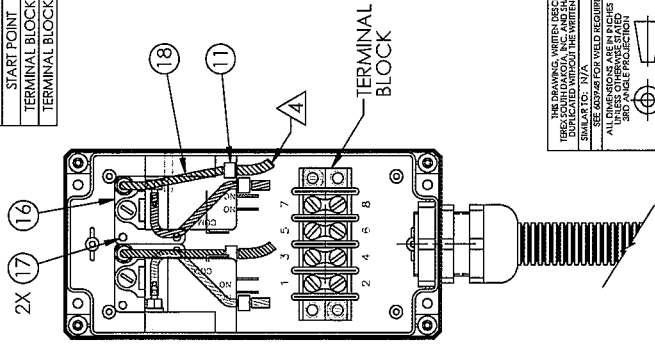
4. CONNECT AN UNUSED EXISTING AIRLINE AT THE BOOM TIP TO THE AIRLINE FITTING, ITEM 6.

- AIR SWITCH INSTALLATION**
 IN THE ELECTRICAL ENCLOSURE LOCATED ON THE TURNABLE, VERIFY THERE IS AN UNUSED AIR SWITCH.
 5. IF THERE IS AN UNUSED AIR SWITCH, STEPS 6-9 CAN BE OMITTED. CONTINUE WITH STEP 10.
 6. IF THERE IS NOT AN UNUSED AIR SWITCH, INSTALL THE AIR SWITCH, ITEM 16. USE ITEM 16 TO MARK THE MOUNTING LOCATION IN THE ELECTRICAL ENCLOSURE AND DRILL TWO CLEARANCE HOLES FOR THE MOUNTING SCREWS, ITEM 17.
 7. CUT THE TUBING, ITEM 18, TO A LENGTH ON 3" AND THEN INSTALL ON THE AIR SWITCH.
 8. INSTALL THE UNION FITTING, ITEM 11, ONTO THE FREE END OF THE TUBING, ITEM 18, THAT IS INSTALLED ON THE AIR SWITCH.

- AIR LINE CONNECTION**
 10. CONNECT THE OPPOSITE END OF THE AIRLINE CONNECTED TO THE NEWLY INSTALLED AIR PLUNGER TO THE UNION, ITEM 11.
 11. AIR LINE FROM PASSENGER STOP/START AIR PLUNGER

11. CUT ELECTRICAL WIRES, ITEMS 14 AND 15, TO LENGTH AND ATTACH ENDS, ITEMS 12 AND 13, PER THE WIRING CONNECTIONS TABLE BELOW. ATTACH THE WIRES TO THE TERMINAL BLOCK AND SWITCH 4 PER THE WIRING CONNECTIONS TABLE.

WIRING CONNECTIONS			
START POINT	END POINT	WIRE LENGTH	CONNECTORS
TERMINAL BLOCK 3	SW4 COMMON	14	2.5 IN 13
TERMINAL BLOCK 7	SW4 NO	15	2.5 IN 13 12



18	H18686	TUBING, 1/8X1/16	REF
17	H23465	SCREW, FLTHD SLOT 6-32 X 3/8	REF
16	610741	SWITCH, AIR	REF
15	351252	WIRE, 14GA, BLK, INS, THIN STRAND	REF
14	351249	WIRE, 14 GA., RED	REF
13	351270	TERMINAL SPADE	REF
12	H32071	TERMINAL, RING STYLE	REF
11	H18686	UNION, AIR, Ø78 MEMCO C2	REF
10	457455	DECAL, STOP/START	REF
9	468482	LABEL, EMERGENCY STOP	REF
8	466737	NUT, SERRATED FLANGE HEX, 5/16-24, ZP	REF
7	H20352	BOOT, NEOPRENE	REF
6	56441	FITTING, Ø2MP-Ø2FTL	REF
5	49256	BREATHER VALVE	REF
4	468093	NUT, SERRATED FLANGE HEX, 5/8-18, ZP	REF
3	66253	CABLE TIE, 6' BLK	REF
2	59492	AIR CYLINDER	REF
1	478269	PUSH ROD, AIR PLUNGER, 4.63 TL	REF

TEREX
 DRAWING #: 9158737
 SHEET 1 OF 2
 PART NAME: ESK INSTRUCTIONS
 PRODUCT: AERIALS
 MATERIAL: ALUMINUM
 DRAWN BY: CRE
 DATE: 12/16/2021
 NOT TO SCALE
 PCRN# 34698

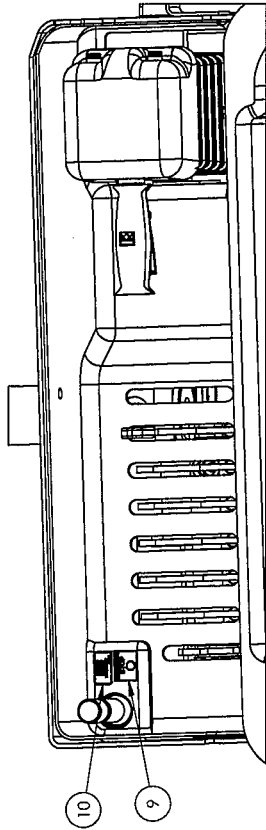
DO NOT SCALE THIS DRAWING WORK CORRECT UNLESS OTHERWISE SPECIFIED.
 DIMENSIONS ARE IN PICHES UNLESS OTHERWISE SPECIFIED.
 ANGLES: °
 DECIMALS: .000
 TOLERANCES:
 .XXX ±0.0
 .XXX ±0.0
 .XXX ±0.0
 .XXX ±0.0

SEE 487048 FOR WELD REQUIREMENTS, UNLESS OTHERWISE NOTED.
 ALL DIMENSIONS ARE IN PICHES UNLESS OTHERWISE SPECIFIED.
 DIMENSIONS ARE IN PICHES UNLESS OTHERWISE SPECIFIED.
 ANGLES: °
 DECIMALS: .000
 TOLERANCES:
 .XXX ±0.0
 .XXX ±0.0
 .XXX ±0.0
 .XXX ±0.0

THE DRAWING, WHETHER A REVISION OR ORIGINAL, IS THE PROPERTY OF TEREX. IT IS TO BE USED ONLY FOR THE PROJECT AND FOR THE INTENT AND PURPOSE FOR WHICH IT WAS DESIGNED. IT IS NOT TO BE REPRODUCED, COPIED, USED NOR TRANSMITTED IN ANY FORM OR BY ANY MEANS, ELECTRONIC OR MECHANICAL, INCLUDING PHOTOCOPYING, RECORDING, OR BY ANY INFORMATION STORAGE AND RETRIEVAL SYSTEM, WITHOUT THE WRITTEN PERMISSION OF TEREX SOUTH DAKOTA, INC. ALL RIGHTS ARE RESERVED.
 SCALE: AS SHOWN
 SEE 487048 FOR WELD REQUIREMENTS, UNLESS OTHERWISE NOTED.

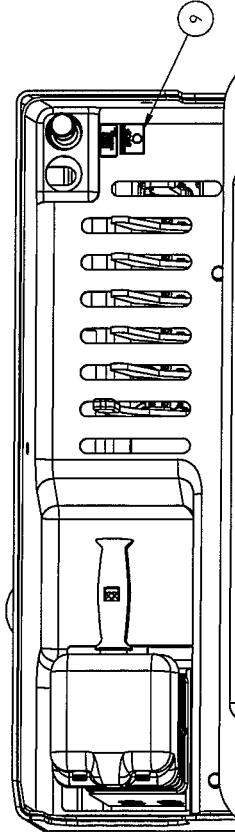
DECAL INSTALLATION

12. INSTALL AN EMERGENCY STOP LABEL, ITEM 9, AND STOP/START DECAL, ITEM 10, AT THE NEWLY INSTALLED STOP/START PLUNGER AT THE BOOM TIP AS SHOWN IN DETAIL C.



DETAIL C. PASSENGER CONTROL DECAL INSTALLATION

13. INSTALL AN EMERGENCY STOP LABEL, ITEM 9, AT THE EXISTING STOP/START PLUNGER AT THE PRIMARY BASKET'S CONTROL STATION AS SHOWN IN DETAIL D.



DETAIL D. OPERATOR CONTROL DECAL INSTALLATION

- TESTING/VALIDATION OF EMERGENCY STOP**
1. START THE ENGINE, SET THE OUTRIGGERS, AND OPERATE THE UNIT FROM THE LOWER CONTROLS TO POSITION THE PLATFORM IN THE GROUND ACCESS POSITION.

2. OPERATE THE UNIT FROM THE UPPER CONTROLS.
3. PRESS THE EMERGENCY STOP PLUNGER AT THE OPERATOR CONTROL STATION SO THE TRUCK ENGINE STOPS.
4. VERIFY THAT CONTROL FUNCTIONS AT BOTH THE OPERATOR AND PASSENGER CONTROL STATIONS ARE INOPERABLE.
5. PRESS AND HOLD EITHER THE OPERATOR OR PASSENGER STOP/START PLUNGER UNTIL THE TRUCK ENGINE STARTS.
6. PRESS THE EMERGENCY STOP PLUNGER AT THE PASSENGER CONTROL STATION SO THE TRUCK ENGINE STOPS.
7. VERIFY THAT CONTROL FUNCTIONS AT BOTH THE OPERATOR AND PASSENGER CONTROL STATIONS ARE INOPERABLE.

THE DRAWING, WHETHER IN THE FORM OF A PAPER OR AN ELECTRONIC FILE, IS THE PROPERTY OF TEREX. IT IS TO BE USED ONLY FOR THE PROJECT AND SITE SPECIFICALLY IDENTIFIED IN THE DRAWING. IT IS TO BE KEPT IN A SAFE PLACE AND NOT BE REPRODUCED, COPIED, OR DISCLOSED, USED FOR ANY OTHER PROJECT, OR FOR ANY OTHER PURPOSE, WITHOUT THE WRITTEN PERMISSION OF TEREX. COURTESY, INC.

SEE ASS'Y FOR WELD REQUIREMENTS, UNLESS OTHERWISE NOTED.




DO NOT SCALE THE DRAWING WORK
ALL DIMENSIONS ARE IN INCHES
UNLESS OTHERWISE SPECIFIED
DIMENSIONS IN PARENT PARENTHESIS
DIMENSIONS IN BRACKET
DIMENSIONS IN SQUARE PARENTHESIS
DIMENSIONS IN ANGLES
DIMENSIONS IN DEGREES
DIMENSIONS IN RADIANS
DIMENSIONS IN FEET AND INCHES
DIMENSIONS IN MILLIMETERS
DIMENSIONS IN METERS

	DRAWING #:	9158737	REV:	A
			SHEET 2 OF 2	
PART NAME: FSK INSTRUCTIONS		ASSY: 9158737	MASS: IBS	
PROJECT: AERIALS		DATE: 12/16/2021	SCALE: 1:1	
DRAWN BY: CRE				NOT TO SCALE CPWM# 34693


US Emergency Stop Placard Qty 2 per truck sent. Part # 468482.



Sample of window envelope, address shows through window.

 TEREX <i>Utilities</i> 3140 15 th Ave SE Watertown, SD 57201-9017	IMPORTANT SAFETY RECALL INFORMATION		
 U.S. Department of Transportation	Issued in Accordance With Federal Law	 NHTSA <small>www.nhtsa.gov</small>	
SAFETY RECALL NOTICE			
<table border="1"><tr><td>"Customer's Name" "Address" "City", "State" "Zip Code"</td></tr></table>			"Customer's Name" "Address" "City", "State" "Zip Code"
"Customer's Name" "Address" "City", "State" "Zip Code"			

Alternate format: Normal envelope, with address label or printed envelope.

 TEREX <i>Utilities</i> 3140 15 th Ave SE Watertown, SD 57201-9017	IMPORTANT SAFETY RECALL INFORMATION	
 U.S. Department of Transportation	Issued in Accordance With Federal Law	 NHTSA <small>www.nhtsa.gov</small>
SAFETY RECALL NOTICE		
"Customer's Name" "Address" "City", "State" "Zip Code"		