



## IMPORTANT SAFETY RECALL

October 14, 2022

East Manufacturing Corporation  
ATTN: Kathryn Penny  
3865 Waterloo Road  
Randolph, OH 44265

Dear Sir or Madam,

**Re: Safety Recall – Smart-Steer 2.0 Self-Steer Axle with 702887 Steer Arm**

Dexter Trailer Products of Canada Corporation (“**Dexter Canada**” (**Ingersoll Axles**)) has determined that certain self-steer axles installed or distributed by your company may contain a defect which could be a safety risk under certain conditions or applications. Accordingly, a recall (NHTSA ID 22E-080) to address this issue was initiated effective September 21, 2022. This potential defect and the remedy are detailed in the attached Service Bulletin SB015 dated September 21, 2022.

The affected axles are models of the Smart-Steer 2.0 self-steering axle with the 702887 bolt-on steer arm built from October 13, 2017 to October 30, 2022. Dexter Canada has determined that under certain heavy loading conditions the steer arm attached to the knuckle can potentially shear. If this condition occurs, the upper section of the sheared steer arm will remain attached to the knuckle by the mounting bolts and lower section of the steer arm will remain attached to the tie-rod assembly but potentially drag along the ground. At no time will the vehicle become uncontrollable and the operator will be able to safely operate until they can secure the axle under the vehicle.

The repair, which is outlined in the Service Bulletin SB015 (attached), must be performed at a Dexter Canada authorized facility and will be at no cost to the owner (Dexter Canada will pay the cost of the prescribed repair).

**Please provide all known owners of your trailers which contain an affected axle with a recall notice with the specific instructions for the repair, as well the locations and contact information for authorized repair facilities.**

Your assistance with this matter is appreciated. Should you have any questions please contact Phil Schnurr directly at 226-242-5345 or email [RecallSB015@dextergroup.com](mailto:RecallSB015@dextergroup.com).

Sincerely,

A handwritten signature in black ink, appearing to read 'R.W. Gelven', with a long horizontal flourish extending to the right.

R.W. Gelven,  
VP of Product Engineering and Product Innovation



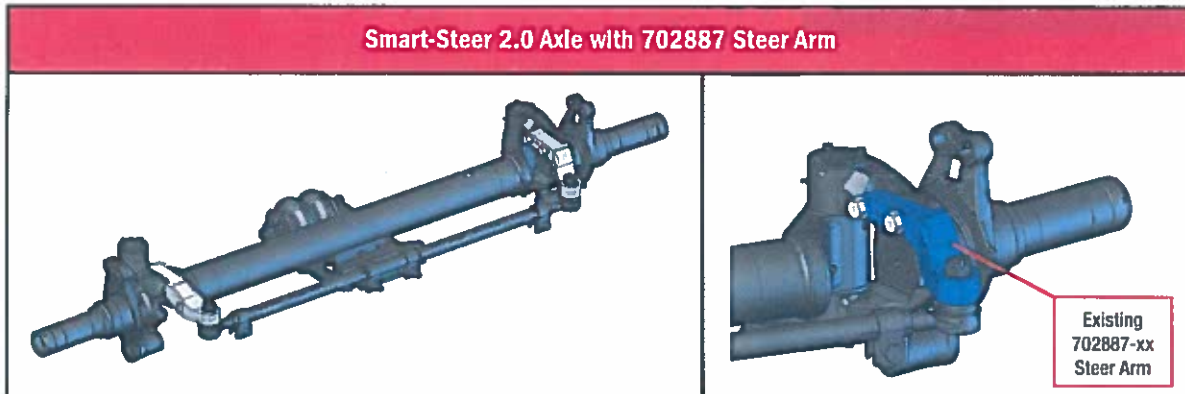
# SERVICE BULLETIN #SB015

Page 1 of 3

Date: October 14, 2022

## Subject: SMART-STEER 2.0 Axle with 702887 Steer Arm

Based on feedback from our customers and recent analysis, Dexter Heavy Duty has identified an ongoing issue with the 702887 steer arm configuration on the Smart-Steer 2.0 self-steer axles. Under certain repeated heavy loading conditions, the steer arm has the potential to fail.



Upon receiving this service bulletin Dexter recommends making immediate arrangements with a Dexter authorized service facility to replace the steer arms on your self-steer axle(s).

Service work will include the following steps:

1. Remove the existing steer arms and mounting hardware.
2. Clean mounting surface and surrounding surfaces to prepare for mounting of the new bolt-on steer arm and additional welds.
3. Grind a 3/16" chamfer along the mounting face edge (see page three for location & detail).
4. Mount new design steer arms (Part # 703293-LH/RH) with supplied hardware and torque to 400 ft-lbs.
5. Add welds as shown on page three of this bulletin.

A reference table of impacted models is on page two of this service bulletin.

Please contact your Dexter Heavy Duty Field Service Technicians Rudy Wosing or Phil Schnurr at (226) 242-5291 if you have additional questions or need further clarification.

We appreciate your understanding during this time.

Neil Haslam  
Engineering Manager – Dexter HD

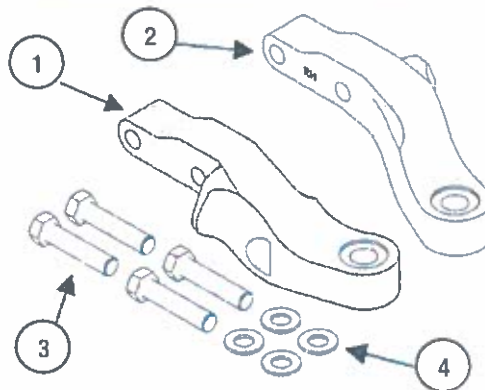
Affected Smart-Steer 2.0 Axle Models with 702887 Steer Arm			
750001	751667-1	752191	761438
750020	751684	752212	762180
750022	751776	752212-2	770001T
750022-1	751778	752252-1	771355
750023	751824	752267	771438
750029	751869	752267-1	771438-2
750030	751869-1	752267T	771776
750033	751869T-2	752267T-1	771776T
750037	751892	752271	771778
750048	751908	752290T	771869
750052	751908-T	752381	771869T
750063	752177	752474-1	772177E
751355	752178	752643	772177T
751438	752180	752722T	772178T
751438-2	752180-1	752743	772180
751438T-2	752180T	752751	772191
751638-2	752180T-2	752751T	772252T-1

The model number can be found in the ordering variant description.

Variant #	Variant Description
TEST123-DXT123456	ISS-SSA751908-NPA-CCRD-22.5H

Replacement steer arm kit for these models is 703294-01 and contains:

Item Number	Quantity	Part Number	Description
1	1	703293-LH	B/O steer arm LH
2	1	703293-RH	B/O steer arm RH
3	4	703100	BOLT 3/4-16UNF 3.25"lg GR8 Yellow Zinc (VMI)
4	4	701810	WASHER FLAT .75" MC2 GR8 (VMI)
Not shown	1	0150425	LOCTITE®, BLUE 242, 0.5ml



## Steer Arm Welding Specifications

