



David J. Johnson
Director
Service Engineering Operations
Ford Customer Service Division

Ford Motor Company
P. O. Box 1904
Dearborn, Michigan 48121

September 30, 2022

TO: All U.S. Ford and Lincoln Dealers

SUBJECT: NEW VEHICLE DEMONSTRATION / DELIVERY HOLD

Safety Recall 22S59 - *Supplement # 1*

Certain 2022 Model Year F-150 Raptor Vehicles with 37 Inch Tires
Low Lug Nut Torque

AFFECTED VEHICLES

Vehicle	Model Year	Assembly Plant	Build Dates
F-150 Raptor	2022	Dearborn Assembly	April 19, 2022 through August 11, 2022

Affected vehicles are identified in OASIS and FSA VIN Lists.

Note: Some vehicles may be in the process of being repaired at the plant. Monitor OASIS before opening an RO and/or beginning a repair. Parts purchased for an FSA can be returned for credit, if required. See the EXCESS STOCK RETURN details in Attachment II for more information.

New! REASON FOR THIS SUPPLEMENT

- *Labor Allowances Claiming Operations*

REASON FOR THIS SAFETY RECALL

The affected vehicles may have road wheels that were torqued below specification. Improper attachment of the road wheel lug nuts may result in loosening and wheel separation from the vehicle, increasing the risk of a crash.

SERVICE ACTION

Before demonstrating or delivering any new in-stock vehicles involved in this recall, dealers are to inspect for the presence of all lug nuts, if missing or found loose remove the wheel and inspect the wheel and mounting studs for any visual damage. If damage is found replace damaged parts. If the wheel is damaged contact SSSC for an approval code for replacement. This service must be performed on all affected vehicles at no charge to the vehicle owner.

Note: This service action can be performed via mobile repair.

OWNER NOTIFICATION MAILING SCHEDULE

Owner letters were mailed the week of September 19, 2022. Dealers should repair any affected vehicles that arrive at their dealerships, whether or not the customer has received a letter.

PLEASE NOTE:

Federal law requires dealers to complete this recall service before a new vehicle is delivered to the buyer or lessee. Violation of this requirement by a dealer could result in a civil penalty of up to \$21,000 per vehicle. Correct all vehicles in your new vehicle inventory before delivery.

New! ATTACHMENTS

Attachment I: Administrative Information
Attachment II: *Labor Allowances* and Parts Ordering Information
Attachment III: Technical Information
Attachment IV: Mobile Service Inspection Record

QUESTIONS & ASSISTANCE

For questions and assistance, contact the Special Service Support Center (SSSC) via the SSSC Web Contact Site. The SSSC Web Contact Site can be accessed through the Professional Technician System (PTS) website using the SSSC link listed at the bottom of the OASIS VIN report screen or listed under the SSSC tab.

Sincerely,

A handwritten signature in cursive script, appearing to read "D. Johnson".

David J. Johnson

NEW VEHICLE DEMONSTRATION / DELIVERY HOLD
Safety Recall 22S59 - Supplement # 1
Certain 2022 Model Year F-150 Raptor Vehicles with 37 Inch Tires
Low Lug Nut Torque

MOBILE REPAIR RECOMMENDATIONS

- Confirm with the customer a mobile repair is feasible.
- Check OASIS prior to going to the customer's home or business to confirm if any other outstanding FSA needs to be completed.
- Transportation – due to the simplicity of this repair, a specialty vehicle is not required.

MOBILE REPAIR ADDITIONAL INFORMATION

Please ensure the technician brings the following to the mobile repair destination:

- Printed Technical Instructions.
- Printed Repair/Work Order or any other necessary documentation as customer copy(s).
 - Documents could also be emailed to the customer.
- Shirt/uniform and vehicle graphic with the dealership or Ford logos are recommended.
- Recommended tools and cleaning supplies: Jack stands, Floor jack, Torque wrench, Sockets, Socket Ratchet or Breaker bar, and any other tools needed for wheel, and wheel stud removal.
- Parts: Lug nuts, wheel studs.

MOBILE REPAIR QUESTIONS AND ASSISTANCE

- For questions and assistance, contact the Special Service Support Center (SSSC) via the SSSC Web Contact Site. Work with the Dealership warranty administrator to create an SSSC contact ID#.
- Once an SSSC agent responds to the new contact ID#, you may opt to call the SSSC hotline: (800) 325-5621.

OASIS ACTIVATION

OASIS was activated on September 9, 2022.

FSA VIN LISTS ACTIVATION

FSA VIN Lists will be available through <https://web.fsavinlists.dealerconnection.com> on September 9, 2022. Owner names and addresses will be available by September 30, 2022.

NOTE: Your FSA VIN Lists may contain owner names and addresses obtained from motor vehicle registration records. The use of such motor vehicle registration data for any purpose other than in connection with this recall is a violation of law in several states, provinces, and countries. Accordingly, you must limit the use of this listing to the follow-up necessary to complete this recall.

SOLD VEHICLES

- Ford has not issued instructions to stop selling/delivering or driving used vehicles under this safety recall. Owners should contact their dealer for an appointment to have their vehicles remedied as soon as practicable. Owners can continue to safely drive their vehicles. Immediately contact any of your affected customers whose vehicles are not on your VIN list but are identified in OASIS. Give the customer a copy of the Owner Notification Letter (when available) and schedule a service date.
- Correct other affected vehicles identified in OASIS which are brought to your dealership.
- Dealers are to prioritize repairs of customer vehicles over repairs of new and used vehicle inventory.

NEW VEHICLE DEMONSTRATION / DELIVERY HOLD
Safety Recall 22S59 - *Supplement # 1*
Certain 2022 Model Year F-150 Raptor Vehicles with 37 Inch Tires
Low Lug Nut Torque

STOCK VEHICLES

- Correct all affected units in your new vehicle inventory before delivery.
- Use OASIS to identify any affected vehicles in your used vehicle inventory.

DEALER-OPERATED RENTAL VEHICLES

The Fixing America's Surface Transportation (FAST) Act law effective June 2016 prohibits a rental company from selling, renting or leasing vehicles subject to a safety or compliance recall. Please consult your legal counsel for legal advice.

TITLE BRANDED / SALVAGED VEHICLES

Affected title branded and salvaged vehicles are eligible for this recall.

OWNER REFUNDS

- **This safety recall must still be performed, even if the owner has paid for a previous repair. Claiming a refund will not close the recall on the vehicle.**
- Ford Motor Company is offering a refund for owner-paid repairs covered by this recall if the repair was performed prior to the date indicated in the reimbursement plan, which is posted with this bulletin. Owners are directed to seek reimbursement through authorized dealers or, at their option, directly through Ford Motor Company at P.O. Box 6251, Dearborn, MI 48121-6251.
- Dealers are also pre-approved to refund owner-paid emergency repairs that were performed away from an authorized servicing dealer after the end date specified in the reimbursement plan. Non-covered repairs, or those judged by Ford to be excessive, will not be reimbursed.
- Refunds will only be provided for the cost associated with replacement and or retorque of wheel lug nuts.

RENTAL VEHICLES

Rental vehicles are not approved for this program.

NEW VEHICLE DEMONSTRATION / DELIVERY HOLD
Safety Recall 22S59 - Supplement # 1
Certain 2022 Model Year F-150 Raptor Vehicles with 37 Inch Tires
Low Lug Nut Torque

ADDITIONAL REPAIR (LABOR TIME AND/OR PARTS)

Additional repairs identified as necessary to complete the FSA should be managed as follows:

- For related damage and access time requirements, refer to the Warranty and Policy Manual / Section 6 – Ford & Lincoln Program Policies / General Information & Special Circumstances for FSA's / Related Damage.
- For vehicles within new vehicle bumper-to-bumper warranty coverage, no SSSC approval is required, although related damage must be on a separate repair line with the "Related Damage" radio button checked.
 - Ford vehicles – 3 years or 36,000 miles.

CLAIMS PREPARATION AND SUBMISSION

- **Claim Entry:** Enter claims using Dealer Management System (DMS) or One Warranty Solution (OWS) online.
 - When entering claims, select claim type 31: Field Service Action. The FSA number (22S59) is the sub code.
 - For additional claims preparation and submission information, refer to the Recall and Customer Satisfaction Program (CSP) Repairs in the OWS User Guide.
- **Related Damage/Additional labor and/or parts:** Must be claimed as Related Damage on a separate repair line from the FSA with same claim type and sub code as described in Claim Entry above.

IMPORTANT: Click the Related Damage Indicator radio button.

- **Refunds:** Submit refunds on a separate repair line.
 - Program Code: 22S59
 - Misc. Expense: ADMIN
 - Misc. Expense: REFUND
 - Misc. Expense: 0.2 Hrs.

Multiple refunds should be submitted on one repair line and the invoice details for each repair should be detailed in the comments section of the claim.

NEW VEHICLE DEMONSTRATION / DELIVERY HOLD
Safety Recall 22S59 - Supplement # 1
 Certain 2022 Model Year F-150 Raptor Vehicles with 37 Inch Tires
 Low Lug Nut Torque

New! LABOR ALLOWANCES

Description	Labor Operation	Labor Time
Inspect lug nuts on all four wheels, all pass, torque lug nuts—to specification. (Can only be claimed with labor op MM.)	22S59A	0.3 Hours
Inspect lug nuts on all four wheels, three pass, torque lug nuts. Lug nut fails on one wheel, inspect studs, all studs pass. Install and torque wheels. (Can only be claimed with K, MM, ZZ)	22S59B	0.5 Hours
Inspect lug nuts on all four wheels, three pass, torque lug nuts. Lug nut fails on one wheel, inspect studs, replace all studs on one wheel. Install and torque wheels. (Can only be claimed with K, MM, ZZ)	22S59C	1.0 Hours
Inspect lug nuts on all four wheels, two pass, torque lug nuts. Lug nut fails on two wheels, inspect studs, all studs pass, Install and torque wheels. <i>(Can only be claimed with K, L, ZZ, MM)</i>	22S59D	0.5 Hours
Inspect lug nuts on all four wheels, two pass, torque lug nuts. Lug nut fails on two wheels, inspect studs, replace all studs on two wheels. Install and torque wheels. <i>(Can only be claimed with K, L, ZZ, MM)</i>	22S59E	1.4 Hours
Inspect lug nuts on all four wheels, one pass, torque lug nuts. Lug nut fails on three wheels, inspect studs, all studs pass. Install and torque wheels. <i>(Can only be claimed with K, L, M, ZZ, and MM)</i>	22S59F	0.5 Hours
Inspect lug nuts on all four wheels, one pass, torque lug nuts. Lug nut fails on three wheels, inspect studs, replace all studs on three wheels. Install and torque wheels. <i>(Can only be claimed with K, L, M, ZZ, MM)</i>	22S59G	1.7 Hours
Inspect lug nuts on all four wheels, four fail, Lug nut fails on four wheels, inspect studs, all studs pass. Install and torque wheels. <i>(Can only be claimed with K, L, M, N, ZZ, MM)</i>	22S59H	0.5 Hours
Inspect lug nuts on all four wheels, four fail, Lug nut fails on four wheels, inspect studs, replace all studs on four wheels. Install and torque wheels. <i>(Can only be claimed with K, L, M, N, ZZ, MM)</i>	22S59J	2.1 Hours
Extra time to replace one wheel <i>(Can only be claimed with B-J, MM, and ZZ)</i>	22S59K	0.3 Hours
Extra time to replace two wheels <i>(Can only be claimed with D-J, MM, and ZZ)</i>	22S59L	0.4 Hours

NEW VEHICLE DEMONSTRATION / DELIVERY HOLD
Safety Recall 22S59 - Supplement # 1
 Certain 2022 Model Year F-150 Raptor Vehicles with 37 Inch Tires
 Low Lug Nut Torque

LABOR ALLOWANCES

Description	Labor Operation	Labor Time
Extra time to replace three wheels <i>(Can only be claimed with F-J, MM, and ZZ)</i>	22S59M	0.6 Hours
Extra time to replace four wheels <i>(Can only be claimed with H-J, MM, and ZZ)</i>	22S59N	0.8 Hours
Mobile Service – (drive to customer’s residence) (Can be claimed with all labor ops)	22S59MM	0.5 Hours
Extra time to take and submit photos of wheel damage. (Can only be claimed with B-N and MM)	22S59ZZ	0.2 hours

PARTS REQUIREMENTS / ORDERING INFORMATION

Order the parts below through normal order processing channels:

Part Number	Description	Order Quantity	Claim Quantity
ML3Z-1007-V	Wheel Assembly	1	Up to 4
FCPZ-1107-A	Wheel Stud (1 in pkg up to 24 may be needed)	1	Up to 24
ACPZ-1012-B	Lug Nut (1 in pkg up to 24 may be needed)	1	Up to 24

DEALER PRICE

For latest prices, refer to DOES II.

PARTS RETENTION, RETURN, & SCRAPPING

Follow the provisions of the Warranty and Policy Manual, Section 1 - WARRANTY PARTS RETENTION AND RETURN POLICIES. If a replaced part receives a scrap disposition, the part must be scrapped in accordance with all applicable local, state and federal environmental protection and hazardous material regulations. Federal law prohibits selling motor vehicle parts or components that are under safety, compliance, or emissions recall.

EXCESS STOCK RETURN

Excess stock returned for credit must have been purchased from Ford Customer Service Division in accordance with Policy Procedure Bulletin 4000.

NEW VEHICLE DEMONSTRATION / DELIVERY HOLD
Safety Recall 22S59 - *Supplement # 1*
Certain 2022 Model Year F-150 Raptor Vehicles with 37 Inch Tires
Low Lug Nut Torque

REPLACED FSA PARTS INSPECTION AND SIGN OFF

Effective March 1st 2021 all parts replaced as part of an FSA repair with a repair order open date of March 1st 2021 or later must be inspected and signed off on the repair order by a member of your dealers fixed operations management team or an employee the task has been delegated to. If the task is to be delegated to a non-management employee, the employee needs to be someone other than the technician who completed the repair and needs to understand the importance of completing this task consistently and accurately.

- All parts replaced as part of an FSA repair should be returned to the parts department following the Warranty Parts Retention and Return Policies.
- Inspect the replaced parts to verify the FSA repair was completed.
- If the FSA repair is found to be complete, the designated employee signs the repair order line or parts return stamp area (electronic or hand signed) for the FSA repair indicating the parts were inspected and validated to have been replaced.
- After the parts have been inspected, they should be handled based on the guidance in the parts status report in the Online Warranty System (Hold, Return, CORE, Scrap, etc.).
- This process is subject to review during warranty audits for FSA repairs with a repair order open date of March 1st 2021 or later. Any eligible FSA claims requiring parts replacement, found not to have been inspected and signed off during a warranty audit will be subject to chargeback and consideration for enrollment into the Dealer Incomplete Recall Repair Process.

Note: Other approvals (electronic or handwritten) for add-on repair lines, dealer owned vehicle repairs, and repeat repairs do not qualify as FSA parts inspection approvals. The post repair FSA parts inspection process (electronic or handwritten) is independent from other warranty approval requirements. The approval by the designated employee implies that the FSA parts were found to be replaced and must be able to be clearly identified on the Repair Order. If multiple FSA's require approval on a single Repair Order, each applicable occurrence will require individual post repair approval by the designated employee.

CERTAIN 2022 MODEL YEAR F-150 RAPTOR VEHICLES WITH 37" TIRES, LOW LUG NUT TORQUE

SERVICE PROCEDURE

WARNING: When jacking or lifting the vehicle, block all wheels remaining on the ground. Set the parking brake if the rear wheels will remain on the ground. These actions help prevent unintended vehicle movement. Failure to follow these instructions may result in serious personal injury.

WARNING: Never get underneath a vehicle that is supported only by a jack. The jack could unintentionally lower. Always support vehicle with floor stands. Failure to follow these instructions may result in serious personal injury.

WARNING: Only raise the vehicle when positioned on a hard, level surface. Attempting to raise the vehicle on an uneven or soft surface may result in vehicle slipping or falling from the jack or jackstand. Failure to follow this instruction may result in serious personal injury.

WARNING: Turn off (disable) the power running boards (if equipped) before jacking, lifting or placing any object under the vehicle. Never place your hand between the power running board and the vehicle. Extended power running boards will retract when doors are closed. Failure to follow these instructions may result in serious personal injury.

NOTICE: When raising a vehicle on a hoist, use care when positioning the hoist adapters prior to lifting the vehicle so that hoist arms do not interfere with the surrounding suspension or steering linkage components.

NOTE: If you suspect that you will not have Internet access at the vehicle's mobile repair location, then you should print a copy of these instructions (including any required Workshop Manual references) for reference during the mobile repair.

1. Inspect the wheels for the presence of lug nuts. Are all lug nuts present on all 4 wheels?
Yes - Proceed to step 2.
No - Proceed to step 4.
2. Are there any lug nuts that can be loosened by hand?
Yes - Proceed to step 4.
No - Proceed to step 3.
3. Loosen and torque each lug nut to 200 Nm (150 ft lb), using a star pattern. Recall is complete.
4. Remove the tire(s) and wheel(s), please follow Workshop Manual (WSM) Section 204-04A.
5. Inspect the studs for visual damage. Is there any damage present?
Yes - For Front Wheel Studs proceed to step 6. For rear wheel studs proceed to step 11.
No - Install tire(s) and wheel(s). Please follow WSM Section 204-04A. Recall is complete.

 **NOTICE:** Each lug nut MUST be torqued to 200 Nm (150 ft. lb), using a star pattern.

Front Wheel Studs (continued on next page)



Front Wheel Studs

6. Remove caliper and brake disc. Please follow WSM Section 206-03.

NOTE: It is not necessary to remove the brake disc shield to remove the stud(s).

7. Remove and replace damaged wheel stud(s). Please follow WSM Section 204-01A.

NOTE: When replacing more than one wheel stud, re-use one lug nut for the installation procedure and discard when complete.

8. Inspect wheel(s) for damage around lug nut mounting holes. If there is damage to one or more wheels, take pictures of the suspected damage and submit to the Special Service Support Center (SSSC) for approval.

9. To install, reverse removal procedure.

10. Install wheel(s) and tire(s). Please follow WSM Section 204-04A. If no rear wheel studs need to be replaced, recall is complete.

⚠ NOTICE: Each lug nut **MUST** be torqued to 200 Nm (150 ft. lb), using a star pattern.

Rear Wheel Studs

11. Remove caliper and brake disc. Please follow WSM Section 206-04.

12. Remove and replace damaged wheel stud(s).

13. Press the wheel stud(s) from the hub flange. Use Special Service Tool: 211-023 C-Frame and Screw. See Figure 1.

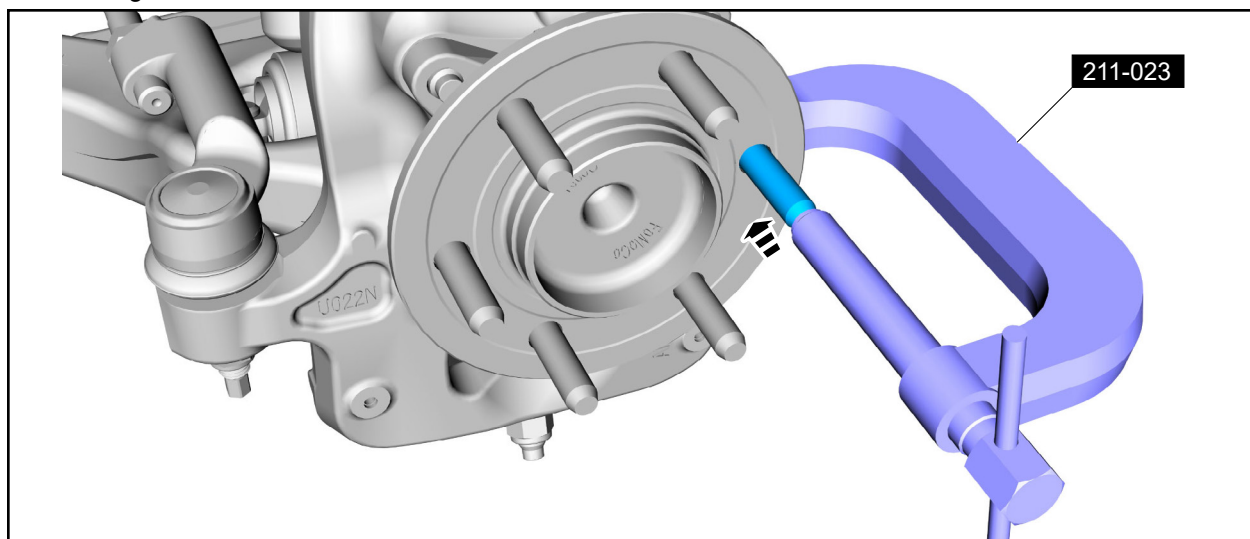


FIGURE 1



14. Install the wheel stud(s):

Tighten the lug nut until the wheel stud is seated against the hub flange. See Figure 2.

NOTE: When replacing more than one wheel stud, re-use one lug nut for the installation procedure and discard when complete.

NOTE: Make sure to use washers that have an ID that is larger than the OD of the wheel stud serrations. Use enough washers (approximately 3 to 4) to allow the wheel stud to fully seat against the hub flange.

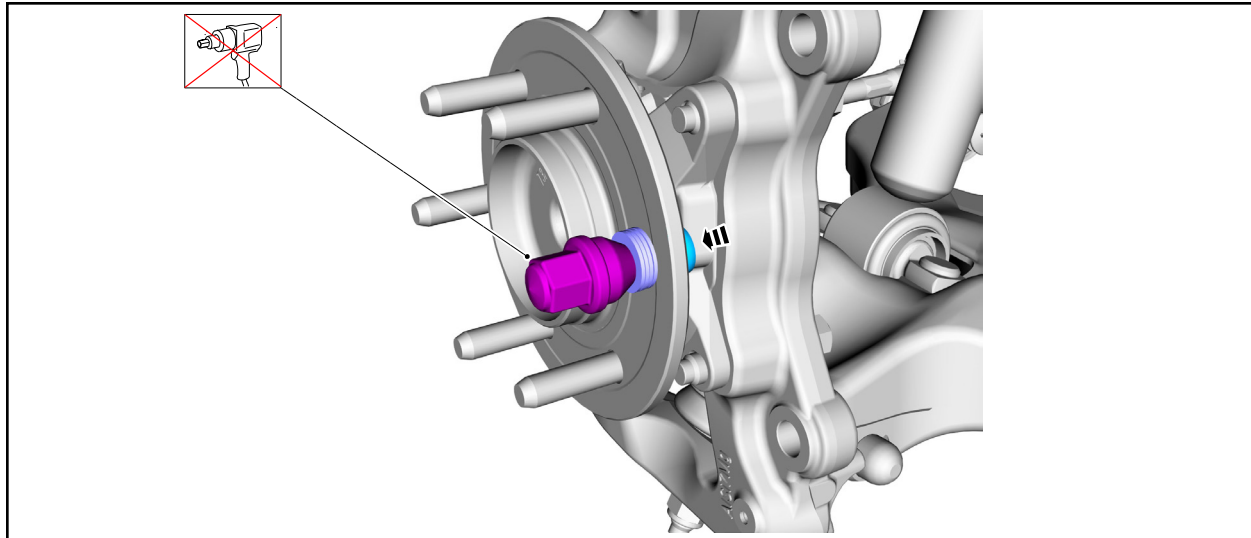


FIGURE 2

15. Inspect wheel(s) for damage around lug nut mounting holes. If there is damage to one or more wheels, take pictures of the suspected damage and submit to the Special Service Support Center (SSSC) for approval.

16. To install, reverse removal procedure.

17. Install wheel(s) and tire(s). Please follow WSM Section 204-04A. Recall is complete.

⚠ NOTICE: Each lug nut **MUST** be torqued to 200 Nm (150 ft. lb), using a star pattern.



NEW VEHICLE DEMONSTRATION / DELIVERY HOLD
Safety Recall 22S59
Certain 2022 Model Year F-150 Raptor Vehicles with 37 Inch Tires.
Low Lug Nut Torque

MOBILE REPAIR RECORD

VIN _____ received (check one):

Mobile Repair

As outlined below for the 22S59 Field Service Action program.

Mobile Repair – Date: _____

Repair Order #

Repair Order Date

Service Manager Signature

Date

Ford Motor Company
Recall Reimbursement Plan for 22S59

Ford and Lincoln dealers are in the best position to quickly and efficiently process reimbursement requests. However, federal legislation requires all motor vehicle manufacturers to establish processes through which customers may seek recall reimbursement directly from the manufacturer or from the dealers.

Regarding the specific reimbursement plan for Recall # 22S59, owners who have paid for service to remedy the defect or noncompliance must have had that service performed prior to October 3, 2022. After this date, if repairs related to this recall are performed by a non-Ford repair facility in an emergency situation, customers must submit any refund requests through their dealership. As required by this federal regulation, Ford Motor Company submitted the details of its latest General Recall Reimbursement Plan in a letter to the National Highway Traffic Safety Administration (NHTSA) in May 2021. The following is the text of that letter and the Plan:

General Recall Reimbursement Plan
(As submitted to the NHTSA)

Pursuant to the requirements set forth in 49 CFR Part 573 and Part 577 of the Code of Federal Regulations, Ford Motor Company (Ford) is submitting required information pertaining to our general reimbursement plan for the cost of remedies paid for by vehicle owners before they are notified of a related safety recall.

Set forth below is Ford's general plan to reimburse owners and purchasers for costs incurred for remedies in advance of notification of potential safety-related defects or noncompliance's pursuant to Part 573.6 (c)(8)(i). This plan has not changed since our February 20, 2019 submission.

Reimbursement Notification

Ford's notice to a vehicle owner in accordance with 49 CFR Part 577 will indicate that Ford is offering a refund if the owner paid to have service to remedy the defect or noncompliance prior to a specified ending date. In accordance with Part 573.13 (c)(2), this ending date will be defined as a minimum of ten calendar days after the date on which Ford mailed the last of its Part 577 notifications to owners and will be indicated in the specific reimbursement plan available to owners for an individual recall. This notice will direct owners to seek eligible reimbursement through authorized dealers or, at their option, directly through Ford at the following address:

Ford Motor Company
P.O. Box 6251
Dearborn, MI 48121-6251

Ford notes that this rule allows for the identification of a beginning date for reimbursement eligibility. Under the rule, an owner who paid to remedy the defect or noncompliance prior to the identified beginning date would not be eligible for reimbursement. Ford generally has not established such a beginning date for reimbursement eligibility and does not presently anticipate changing this general policy. However, in any case where Ford determines a beginning date is appropriate, Ford will indicate that date in the owner notice. As permitted by 577.11(e), Ford may not include a reimbursement notification when all vehicles are well within the warranty period, subject to approval by the agency.

Costs to be Reimbursed

For vehicles, reimbursement will not be less than the lesser of:

- The amount paid by the owner for the remedy that specifically addressed and was reasonably necessary to correct the defect or noncompliance that is the subject of the recall, or
- The cost of parts for the remedy (to be no more than the manufacturer's list retail price for authorized part(s), plus associated labor at local labor rates, miscellaneous fees (such as disposal of waste) and taxes.

For replacement equipment, reimbursement will be the amount paid by the owner for the replacement item (limited by the amount of the retail list price of the defective or noncompliant item that was replaced, plus taxes, where the brand or model purchased by the owner was different than the brand or model that was the subject of the recall). If the item of motor vehicle equipment was repaired, the reimbursement provisions identified above for vehicles will apply.

Ford notes that costs incurred by the owner within the period during which Ford's original or extended warranty would have provided for a free repair of the problem will not be eligible for reimbursement, as provided by Part 573.13 (d)(1).

Entities Authorized to Provide Reimbursement

Ford will continue to use authorized dealers to reimburse owners under the specific reimbursement plans for a particular recall, and will encourage owners to pursue requests for reimbursement directly through dealers to expedite reimbursement. Ford will also provide a mailing address to which customers can, at their option, send requests for reimbursement directly to Ford, as previously noted. Requests for reimbursement sent directly to Ford may take up to 60 days to process. Whether the owner chooses to pursue reimbursement requests through a dealer or directly through Ford, the owner will be directed to submit the required documentation, upon which reimbursement eligibility will be determined.

Required Documentation

The reimbursement determination will depend upon the information provided by the customer. Consistent with Part 573.13 (d)(4) the following information must be submitted:

- Claimant name and address
- Vehicle make, model, and model year
- Vehicle identification number (VIN) and, for replacement equipment, a description of such equipment or, for tires, the model, size and TIN (DOT code)
- Identification of the recall number (either the Ford recall number or the NHTSA recall number)
- Identification of the owner of the recalled vehicle at the time that the pre-notification remedy was obtained
- An original receipt for the pre-notification remedy that includes a breakdown of the amount for parts, labor, other costs and taxes, including costs for the replacement item. Where the receipt covers work other than to address the recall or noncompliance, Ford may require the claimant to separately identify costs that are eligible for reimbursement.
- If the remedy was obtained during the warranty period, documentation indicating that the warranty was not honored or the warranty repair did not correct the problem related to the recall.

Failure to submit all of the above information may result in denial of the reimbursement request.

Additional Information

The Part 577 required owner notice will provide a toll-free telephone number through which specific information about the reimbursement plan can be requested from Ford. This general reimbursement plan will be incorporated into notifications pursuant to Part 573.6 by reference. Information specific to an individual recall also may be incorporated into the Part 573.6 notification.