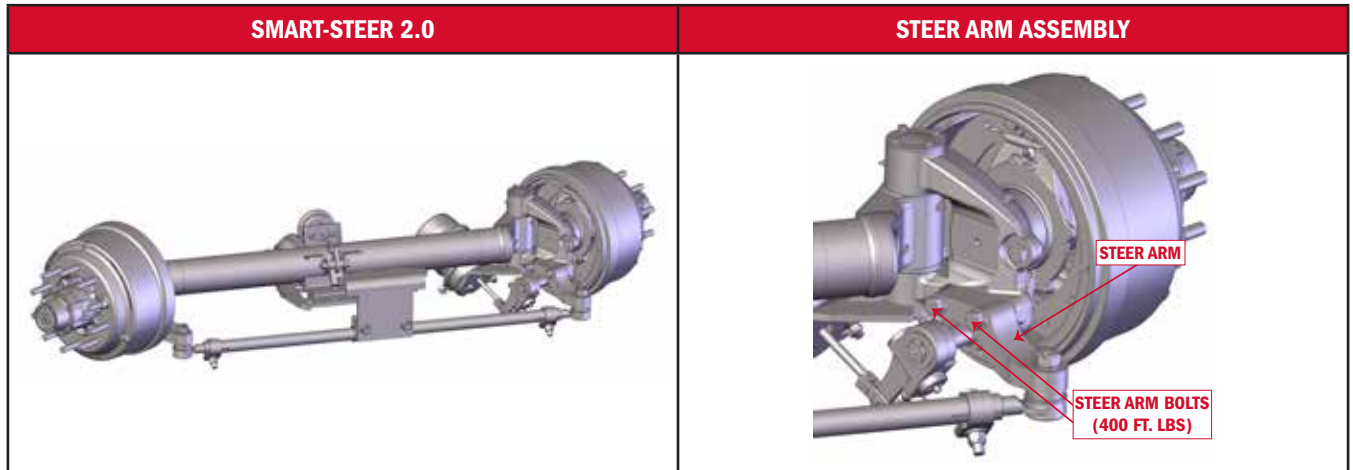


Date: December 4, 2019

Subject: SMART-STEER 2.0 Bolt-On Steer Arm Reinforcement Welds

Based on feedback from our customers, Dexter Heavy Duty has become aware that under certain loading conditions, the 8-7/8" steer arm setup on the SMART-STEER 2.0 axle is prone to shearing the attaching steer arm bolts. This will lead to a failure in the steer arm assembly.



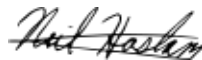
Dexter recommends that you perform a steer arm inspection of your axle(s) as soon as possible; but no later than four weeks after receiving this service bulletin. Please follow the steps listed below:

1. Visually inspect steer arm bolts and washers for mechanical tightness and replace if necessary.
2. Ensure the steer arm bolts are torqued to 400 Ft. Lbs.
3. Place welds as shown on page three of this bulletin. If you would like a copy of engineering drawing 750049, please contact one of the service technicians listed below.

A reference table of impacted models is on page two of this service bulletin.

Please contact your Dexter Heavy Duty Field Service Technicians Rudy Wosing or Phil Schnurr at (226) 242-5291 if you have additional questions or need further clarification.

We appreciate your understanding as we determine a long term solution to this issue.



Neil Haslam
Engineering Manager - Dexter Heavy Duty

8-7/8" TIE-ROD SMART-STEER 2.0 MODELS

SSA MODEL NUMBER	
750002	750265-3
750027	750265-5
750882	750650-3
750899	750650-5
750912	750688-3
750923	750882T
750924	750899T
750928	750912T
750929	750924-1
751003	750924-2
751004	750924T
751328	750928-3
751769	750928T
752270	751003-10
752299	751104T
752333	751384T
752346	751525-2
752347	751644-1
752529	752323-3
771004	752708-2
750265-2	

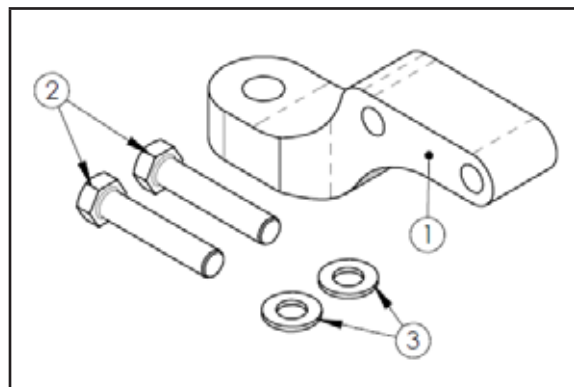
The model number can be found in the ordering variant description.

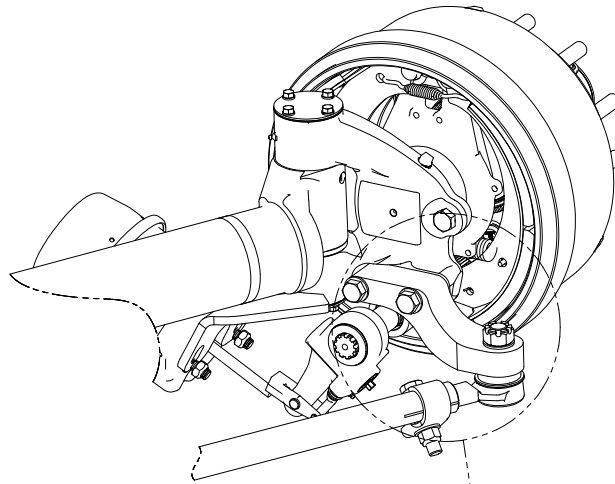
VARIANT #	VARIANT DESCRIPTION
TEST123-DXT123456	ISS-SSA 751004 -09110N-511IMT23-CAH

Upon inspection; if the steer arm bolts or steer arm are worn or damaged, below is the replacement steer arm kit for these models.

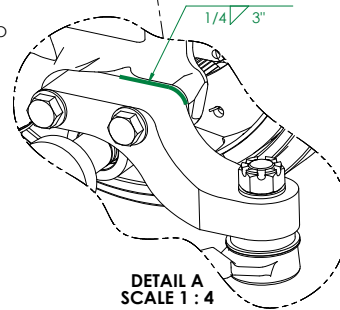
702732-01 BOLT-ON STEER ARM SERVICE KIT (-8-7/8") LH OR RH

ITEM NUMBER	QUANTITY	PART NUMBER	Description
1	1	701657	STEERING ARM B/O -8-7/8" TH
2	2	702834	BOLT, 3/4-16 UNF-2B X 3.75" LG GR8
3	2	701810	WASHER FLAT .75" GR8 MC2
Not Shown	1	0150425	LOCTITE®, BLUE 242, 0.5ML

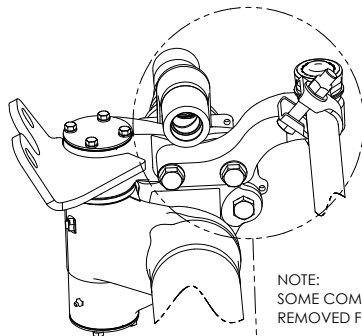




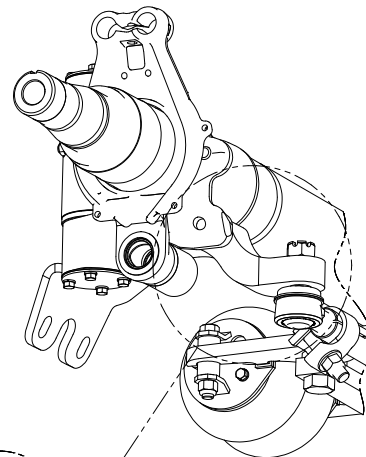
NOTE:
TURN KNUCKLE AT FULL TURN TO
GAIN ACCESS TO STEER ARM
AND WELD



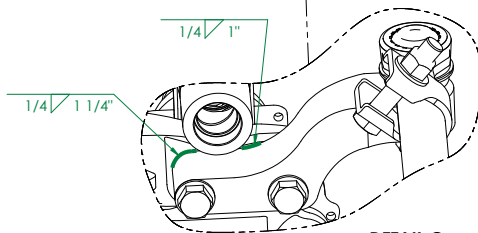
DETAIL A
SCALE 1 : 4



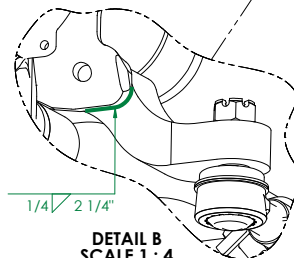
NOTE:
SOME COMPONENTS WERE
REMOVED FOR CLARITY.



NOTE:
SOME COMPONENTS WERE
REMOVED FOR CLARITY.



DETAIL C
SCALE 1 : 4



DETAIL B
SCALE 1 : 4