

Product Safety Recall

N202325160 Battery Cable Short Circuit



Release Date: March 2021

Revision: 01

Revision Description: This bulletin has been updated to include an inspection of the positive battery cable anti-rotation tab. Please discard all previous copies of N202325160.

Attention: It is a violation of Federal law for a dealer to deliver a new motor vehicle or any new or used item of motor vehicle equipment (including a tire) covered by this notification under a sale or lease until the defect or noncompliance is remedied.

This bulletin contains an inspection procedure for both dealer inventory and customer vehicles. Vehicles that pass this inspection procedure and complete the remedy can be delivered and closed using the "Trim Excess Material from Mega Fuse Cable Terminals (includes inspection)" labor code 9105365. It is estimated that a very small percentage of the involved vehicles will fail the inspection and require part replacement. Vehicles that DO NOT pass the inspection must be held and not delivered to customers. This bulletin will be updated when the required parts become available, at which time those vehicles can be repaired, closed, and delivered.

All involved vehicles that are in dealer inventory must be held and not delivered to customers, dealer traded, or used for demonstration purposes until the repair contained in this bulletin has been performed on the vehicle.

| Make | Model | Model Year | | RPO | Description |
|-----------|---------|------------|------|-----|------------------------------------|
| | | From | To | | |
| Chevrolet | Express | 2021 | 2021 | L8T | Engine-Gas, 8 CYL, 6.6L, Cast Iron |
| GMC | Savana | | | | |

Involved vehicles are marked "open" on the Investigate Vehicle History screen in GM Global Warranty Management system. This site should always be checked to confirm vehicle involvement prior to beginning any required inspections and/or repairs.

| | |
|-------------------|------------------------------------------------------------------------------------------------------------------------------------------------------------------------------------------------------------------------------------------------------------------------------------------------------------------------------------------------------------------------------------------------------------------------------------------------------------------------------------------------------------------------------------------------------------------------------------------------------------------------------------------------------------------------------------------------------------------------------------|
| Condition | General Motors has decided that a defect which relates to motor vehicle safety exists in certain 2021 model year Chevrolet Express and GMC Savana vehicles with 6.6L gas engines. In certain circumstances, anti-rotation tabs on the positive battery cable terminals may come into contact with a fuse block assembly attachment post, causing a short circuit. Clearance between the positive battery cable anti-rotation tab and the fuse attachment posts is small enough to allow contact in certain situations. Drivers may get a low battery voltage warning or experience a dead battery. A short-circuit of a positive battery cable to a fuse attachment post can cause battery drain or may lead to an underhood fire. |
| Correction | Dealers will inspect the positive battery cable anti-rotation tab to determine if it has been previously cut too short or completely cut off. Dealers will remove a portion of the anti-rotation tab on both positive battery cable terminals near the engine compartment fuse block assembly attachments if not previously repaired. |

Parts

It is estimated that a very small percentage of the involved vehicles will fail the inspection and require part replacement. For those vehicles that do not pass the inspection, the bulletin will be updated when the remedy and required parts become available, at which time those vehicles can be repaired.

Warranty Information

| Labor Operation | Description | Labor Time | Trans. Type | Net Item |
|-----------------|----------------------------------------------------------------------------------------------|------------|-------------|----------|
| 9105655* | Failed Inspection – Anti-Rotation Tab (cut too short or completely cut), Hold Vehicle | 0.6 | ZFAT | N/A |
| 9105365 | Trim Excess Material from Mega Fuse Cable Terminals (Includes inspection) | 0.7 | ZFAT | N/A |

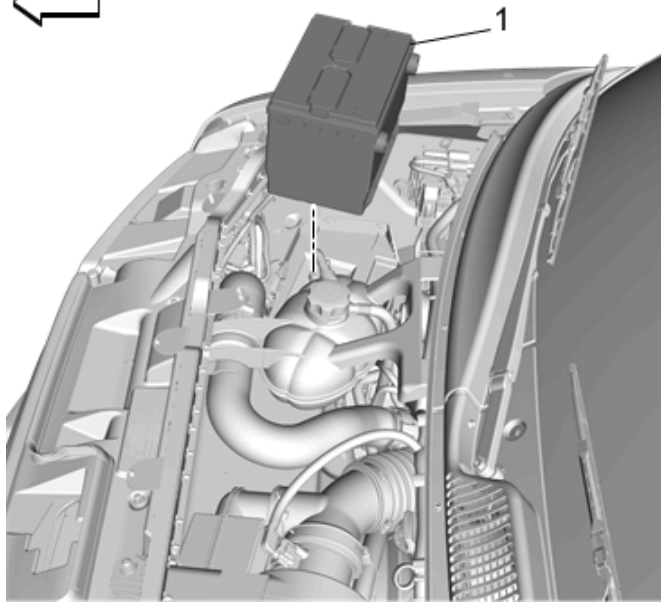
* Only use 9105655 labor code for vehicles that have failed inspection and hold until the bulletin is updated with the revised service parts are available.

Product Safety Recall

N202325160 Battery Cable Short Circuit

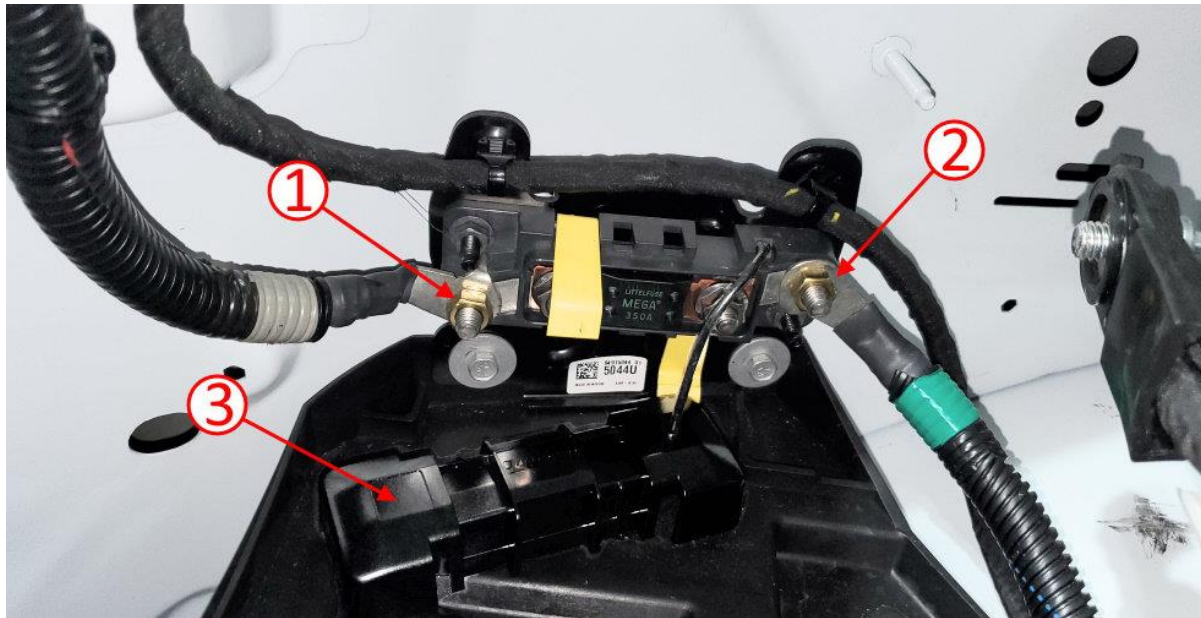


Service Procedure



4597853

1. Remove the vehicle battery (1). Refer to *Battery Replacement* in SI.

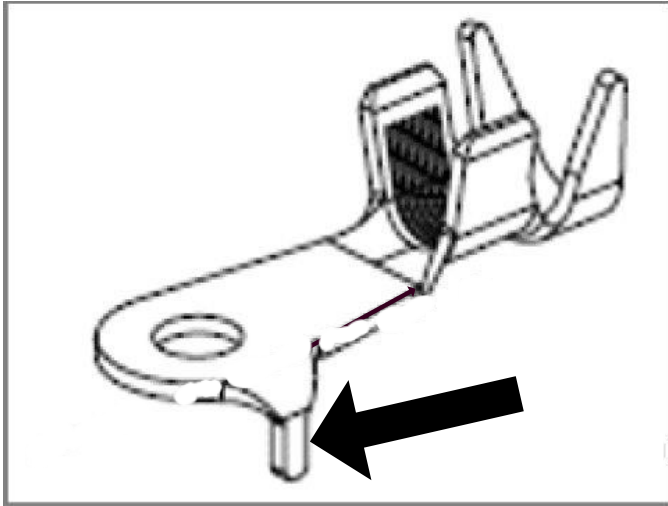


5694188

2. Locate the Mega Fuse assembly mounted on the inner fender.
3. Remove the fuse cover (3).
4. Remove the fasteners that connect the two cables to the fuse block (1 and 2).

Product Safety Recall

N202325160 Battery Cable Short Circuit

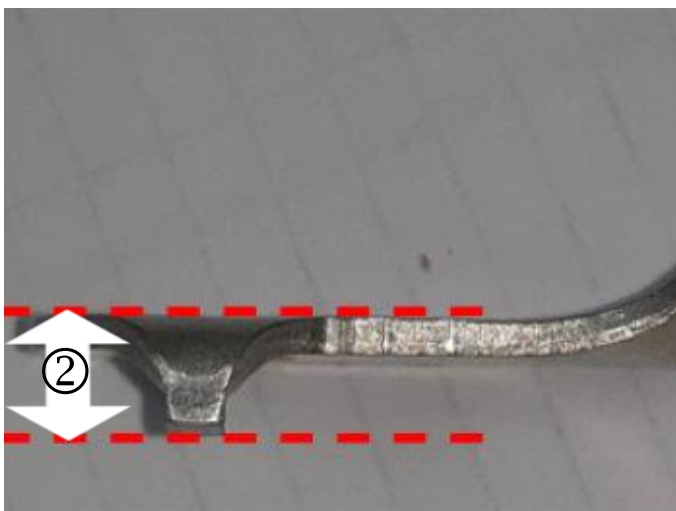


5779095

5. With the cables disconnected, locate the anti-rotation tabs on both cable ends.
6. Inspect the length of the terminal anti-rotation tabs on both cable ends.



5693961



5779103

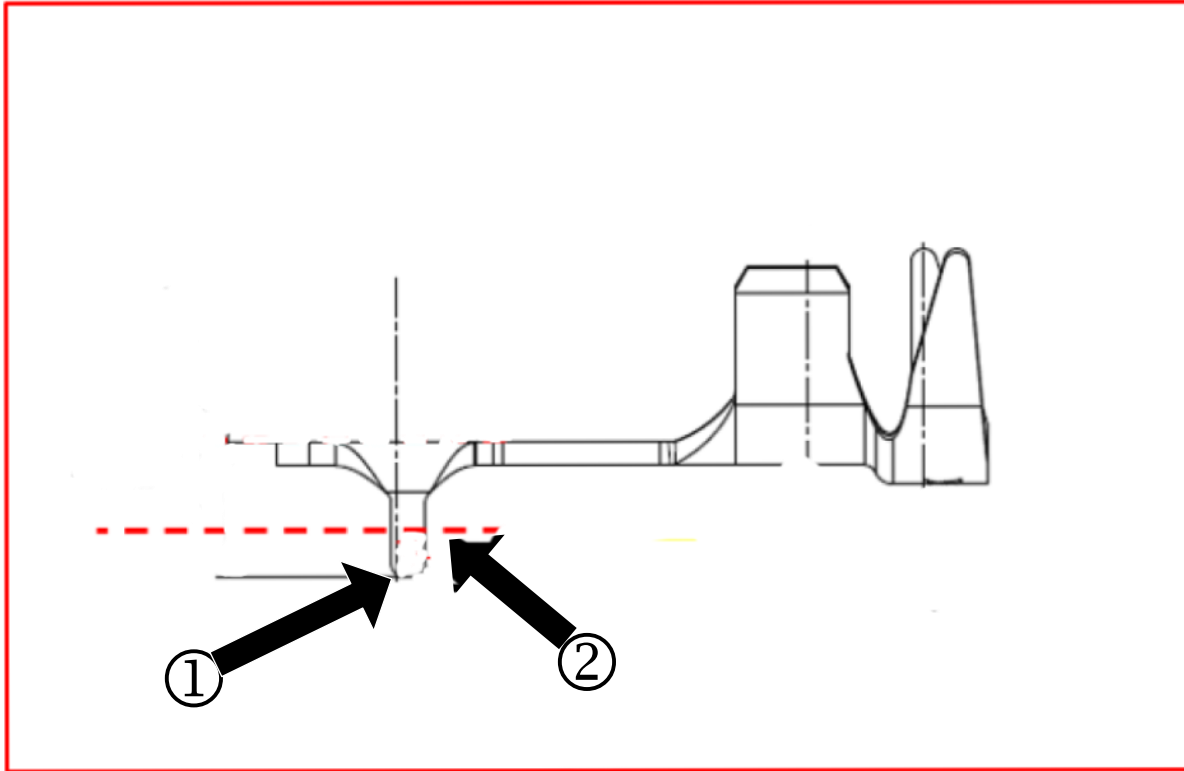
- If one or both anti-rotation tabs has been cut completely off or is trimmed to less than 6mm in length (2), the battery cable assembly will require replacement. No service parts are available currently.
- If both anti-rotation tabs have not been cut, proceed to steps 7-15 below.

Product Safety Recall

N202325160 Battery Cable Short Circuit



Important: The following measurement is critical to a correct repair. THE CUT MUST BE MADE IN THE EXACT LOCATION SHOWN IN THE GRAPHIC. DO NOT cut the anti-rotation tab flush. Cutting the tab flush may cause the cables to rotate and contact the fasteners or the Mega fuse mounting studs.



5779097



5779100

7. Starting from the bottom of the tab (1), measure up 4.5mm (2) from the end of the tab and scribe a line.

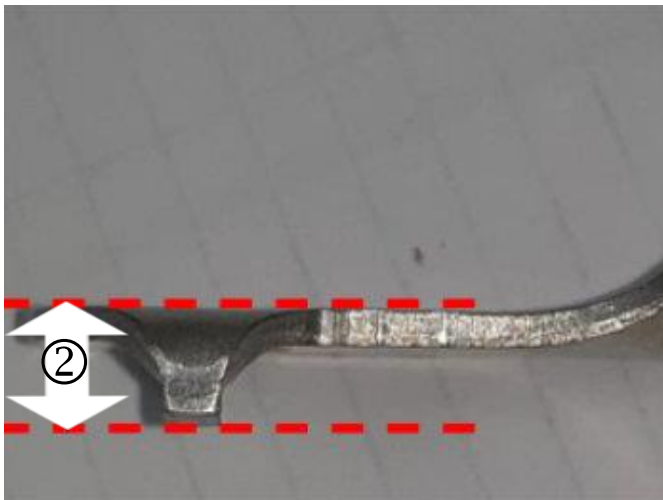
Product Safety Recall

N202325160 Battery Cable Short Circuit



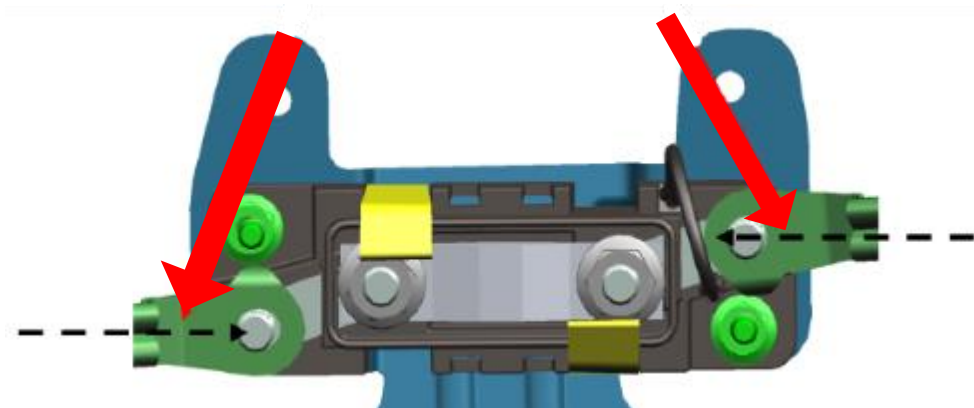
5779102

- Using cutters, cut on the scribed line. Use care to only remove the correct amount of the tab. DO NOT remove the complete tab.



5779103

- The completed trimmed terminal should have a total height of 6mm (2).
- After the tab is cut, ensure the tab is 90 degrees to the lug. Adjust as required by slightly bending the tab.
- Repeat the above steps on the second cable.
- Loosely reinstall the two cables.



5779104

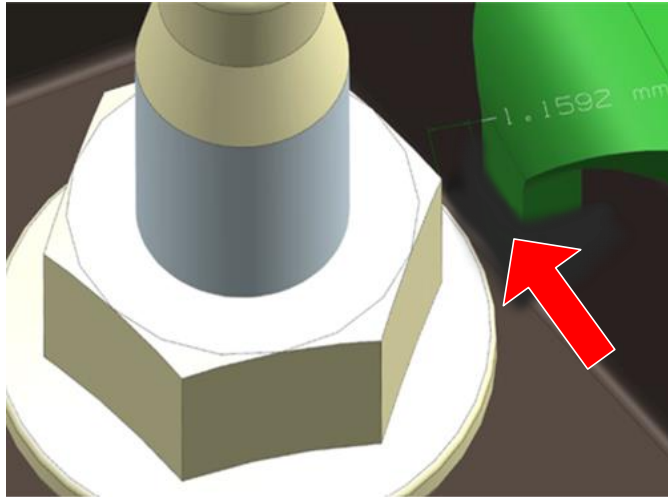
Product Safety Recall

N202325160 Battery Cable Short Circuit

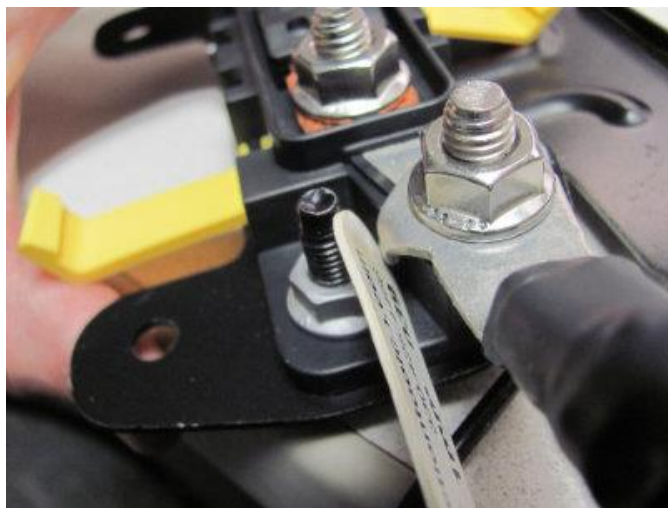


Note: When tightening the fasteners, hold the cables in a manner so they do not contact the studs as shown in the graphic above.

13. Tighten the fasteners to 20 Nm (15 lb ft).



5779106



5779108

IMPORTANT: With both fasteners tightened to specification, **make sure there is at least 1mm clearance** between the anti-rotation tab and the nut at both locations. If the clearance is less than 1mm, remove the cable and further trim the tab as required.

14. Reinstall the fuse cover.

15. Reinstall the battery. Refer to *Battery Replacement* in SI.

Dealer Responsibility – For USA & Export (USA States, Territories, and Possessions)

It is a violation of Federal law for a dealer to deliver a new motor vehicle or any new or used item of motor vehicle equipment (including a tire) covered by this notification under a sale or lease until the defect or noncompliance is remedied.

The US National Traffic and Motor Vehicle Safety Act provides that each vehicle that is subject to a recall of this type must be adequately repaired within a reasonable time after the customer has tendered it for repair. A failure to repair within sixty days after tender of a vehicle is prima facie evidence of failure to repair within a reasonable time. If the condition is not adequately repaired within a reasonable time, the customer may be entitled to an identical or reasonably equivalent vehicle at no charge or to a refund of the purchase price less a reasonable allowance for depreciation. To avoid having to provide these burdensome remedies, every effort must be made to promptly schedule an appointment with each customer and to repair their vehicle as soon as possible. In the recall notification letters, customers are told how to contact the US National Highway Traffic Safety Administration if the recall is not completed within a reasonable time.

Product Safety Recall

N202325160 Battery Cable Short Circuit



Dealer Responsibility – All

All new, used, GM Certified Used, courtesy transportation vehicles, dealer shuttle vehicles, etc. in dealers' possession and subject to this recall must be held and inspected/repaired per the service procedure of this bulletin before customers take possession of these vehicles. Involved vehicles must be held and not delivered to customers, dealer-traded, released to auction, used for demonstration, or any other purpose.

All GM Certified Used vehicles currently in the dealers' inventory within the Certified Pre-Owned Inventory System (CPOIS) will be de-certified and must be held and remedied per the service procedure in this bulletin. Upon submitting an accepted/paid warranty transaction in the Global Warranty Management (GWM) system, the vehicle can be re-certified for sale within the CPOIS system, or once again be used in the CTP program.

Dealers are to service all vehicles subject to this recall at no charge to customers, regardless of mileage, age of vehicle, or ownership, from this time forward.

Customers who have recently purchased vehicles sold from your vehicle inventory, and for which there is no customer information indicated on the dealer listing, are to be contacted by the dealer. Arrangements are to be made to make the required correction according to the instructions contained in this bulletin. Recall follow-up cards should not be used for this purpose, since the customer may not as yet have received the notification letter.

In summary, whenever a vehicle subject to this field action enters your vehicle inventory you must take the steps necessary to ensure the program correction has been made before selling the vehicle. In addition, for vehicles entering your facility for service, you are required to ensure the customer is aware of the open field action and make every reasonable effort to implement the program correction as set forth in this bulletin prior to releasing the vehicle.

Dealer Reports

For dealers with involved vehicles, a listing has been prepared and will be available through GM GlobalConnect Maxis Field Action Reports or sent directly to export dealers. The Inventory tab of the dealer reports will contain VINs that apply to this recall. This information is intended to assist dealers with the **PROMPT COMPLETION** of these vehicles. The Customer In-Service tab will contain customer names and addresses from Motor Vehicle Registration Records. The use of such motor vehicle registration data for any purpose other than follow-up necessary to complete this recall may be a violation of law in several states.

Courtesy Transportation – For USA & Canada

Courtesy transportation is available for customers whose vehicles are involved in a product program and still within the warranty coverage period. See General Motors Service Policies and Procedures Manual for courtesy transportation program details.

Customer Notification

USA & Canada - General Motors will notify customers of this recall on their vehicle.

Export - Letters will be sent to known owners of record located within areas covered by the US National Traffic and Motor Vehicle Safety Act.

