



R21BN

FINAL NOTICE

DATE: March 23, 2022
TO: Blue Bird Owners
Subject: R21BN: Hydraulic Brake Line Rub on Ford 7.3L

According to our records, Campaigns Administration has not received confirmation that the above referenced recall, dated November 30, 2021, has been completed. A copy of Recall R21BN is attached. Your buses affected by Recall R21BN are identified by Blue Bird body number and VIN under Section 2 on the enclosed cover sheet.

If this is the first time you received notification of Recall R21BN, please read the enclosed notification carefully. Recall R21BN must be completed, as soon as possible.

Blue Bird will reimburse the labor cost of the repairs related to this recall at no cost to you the vehicle owner. The standard repair time (SRT) to accomplish these repairs in accordance with the recall installation procedure is outlined below with the repair option and allowable labor time per bus.

Repair Options and allowable labor times for this campaign, outlined as follows:

Repair A: Secure Hydraulic Brake Line

- .2 Hours (12 minutes)

Repair B: Brake Line Replacement *(if necessary)*

- 1.7 Hours (102 minutes)

Administering the Recall and Parts:

Parts to complete Recall R21BN are available. You may request parts through campaignparts@blue-bird.com

If you have already had R21BN performed on your affected buses, please complete and mail the enclosed recall yellow coversheet to us in the enclosed postage paid pink reply envelope so we may update our recall records. Be sure the reply sheet is filled out properly.

Please contact your local Blue Bird Dealer with any questions regarding this recall campaign.



R21BN

IMPORTANT SAFETY RECALL NOTICE

NHTSA Recall Number: 21V-778 School Bus

DATE: November 30, 2021

SUBJECT: R21BN: Hydraulic Brake Line Rub on Ford 7.3L

Dear Blue Bird Owner:

This important safety recall notice applies to your bus(es) identified by both Blue Bird Body Number and Vehicle Identification Number (VIN) on the enclosed yellow cover sheet. If you no longer own the subject bus(es), please complete the appropriate section of the yellow cover sheet and return to Blue Bird in the enclosed pink postage prepaid envelope.

This notice is sent to you in accordance with the requirements of the National Traffic and Motor Vehicle Safety Act.

Blue Bird Body Company is voluntarily recalling the following:

- Certain model year 2022 Blue Bird Vision School Buses
 - manufactured from May 3, 2021 through June 14, 2021

On the subject buses, it has been determined on certain Blue Bird buses the retaining clamp used to secure the hydraulic brake line near the engine of the Vision units with the Ford 7.3L engine may not have been installed on the affected buses. If the clamp is not installed, the brake line can rub on the exhaust pipe causing a leak or failure of the line. Failure of the brake line would lead to:

1. Low brake pressure warning in the vehicle cluster,
2. Eventual loss or degradation of the front service brakes, and/or
3. Eventual loss or degradation of rear service brakes.

Blue Bird has evaluated the risk to motor vehicle safety related to this condition and determined that there is a potential for injury to the occupants and bystanders in the event that the brake line retaining clamp was not installed. Loss of braking ability increases the risk of a crash.

Corrective Action:

Please contact your local Blue Bird dealer to arrange to have the Recall performed and to ensure parts are available at the dealership. To locate an authorized dealer, search online at www.blue-bird.com/find-a-dealer. To correct this condition, the hydraulic brake lines near the engine will need to be inspected for proper installation. Any missing hardware will need to be installed according to the Blue Bird provided R21BN Recall Instructions.

Labor Reimbursement:

Blue Bird will reimburse the labor cost of the repairs related to this recall at no cost to you the vehicle owner. The standard repair time (SRT) to accomplish these repairs in accordance with the R21BN remedy procedure(s) is outlined below.

Repair Options and allowable labor times for this campaign, outlined as follows:

Repair A: Secure Hydraulic Brake Line

- .2 Hours (12 minutes)

Repair B: Brake Line Replacement *(if necessary)*

- 1.7 Hours (102 minutes)



BLUE BIRD

Blue Bird Body Company
Page 2

R21BN

Administering the Recall and Parts:

Parts to complete Recall R21BN will be available on January 3, 2022. You may request parts through campaignparts@blue-bird.com

Federal law requires that any vehicle lessor receiving this recall notice must forward a copy of this notice to the lessee within ten days.

If the modifications directed by this notification were performed on your bus prior to the receipt of this recall notification, attach a copy of the work order/invoice. Mail the documents in the pink self-addressed postage prepaid envelope included with the pink reply sheet to Blue Bird for warranty consideration. Reimbursements will be made in accordance with the requirements of the National Highway Transportation Safety Act, Title 49 Code of Federal Regulations, Parts 573 and 577.

Please contact your local Blue Bird Dealer with any questions regarding this recall campaign.

If Blue Bird Body Company should fail to or is unable to remedy this condition without charge to you, you may contact:

**ADMINISTRATOR
NATIONAL HIGHWAY TRAFFIC SAFETY ADMINISTRATION
1200 NEW JERSEY AVENUE, SE
WASHINGTON, D.C. 20590**

Or, you may call The National Highway Traffic Safety Administration toll free at:
1-888-327-4236 TTY 1-800-424-9153 or go to: <http://www.safercar.gov>



RECALL

R21BN: Hydraulic Brake Line Rub on Ford 7.3L

Models Affected: 2022 Blue Bird Visions (BBCV), with Hydraulic Brakes and Ford 7.3L Engine

Issue: The left-hand, front hydraulic brake line on certain units may not be properly secured.

Corrective Action: Install P-Clamp over brake line in a downward position, securing the brake line to the frame rail.

WARNING: Always follow all Federal, State, Local and Shop safety standards and use proper safety equipment, and thoroughly read and understand all instructions before performing these procedures. Park bus on level surface, apply parking brake, turn off ignition key, and chock wheels.

Parts/Items Needed: Chose One Only

Repair A- Secure Hydraulic Brake Line

Item	Part Number	Description	Quantity
24	00826297	NUT, HEX HD, 3/8-16 LOCK, YEL ZN DICH	1
26	00803171	CAPSCREW, HEXHD, 3/8-16 X 1-1/2 GR8	Re-use
27	01107085	WASHER, FLAT, 13/32 X 13/16 X 3/32	Re-use
53	02024370	CLAMP, LOOP, .250	1

Repair B- Secure and Replace Hydraulic Brake Line (If Required)

Item	Part Number	Description	Quantity
24	00826297	NUT, HEX HD, 3/8-16 LOCK, YEL ZN DICH	1
26	00803171	CAPSCREW, HEXHD, 3/8-16 X 1-1/2 GR8	Re-use
27	01107085	WASHER, FLAT, 13/32 X 13/16 X 3/32	Re-use
53	02024370	CLAMP, LOOP, .250	1
11	10067931	TUBE ASSY, STEEL, HYD BRAKE, LH FRT	1

Instructions: Repair A

- Locate the left-hand front brake line, inside the frame rail, rear of the front motor mount.
- Inspect for a “P” clamp (Item #53) securing the hydraulic brake line to the frame rail at the grounding strap.
 - If the clamp is installed, tight and positioned per Illustration 1, no further action is necessary.
 - If the clamp is missing or incorrectly installed, proceed to the next step.
- Locate the mounting fastener for the engine ground strap. Remove the locking nut securing ground strap to chassis and discard the nut.

NOTE - Ensure the surfaces between the frame rail and ground strap are clean and free of paint or corrosion prior to proceeding.

- Install P-Clamp 02024370 (Item 53) over brake line, oriented in a downward position, with the flat side of the P-Clamp against the frame rail.
- Insert capscrew and washer (Items 26 & 27) thru the P-Clamp, ground strap and frame rail.

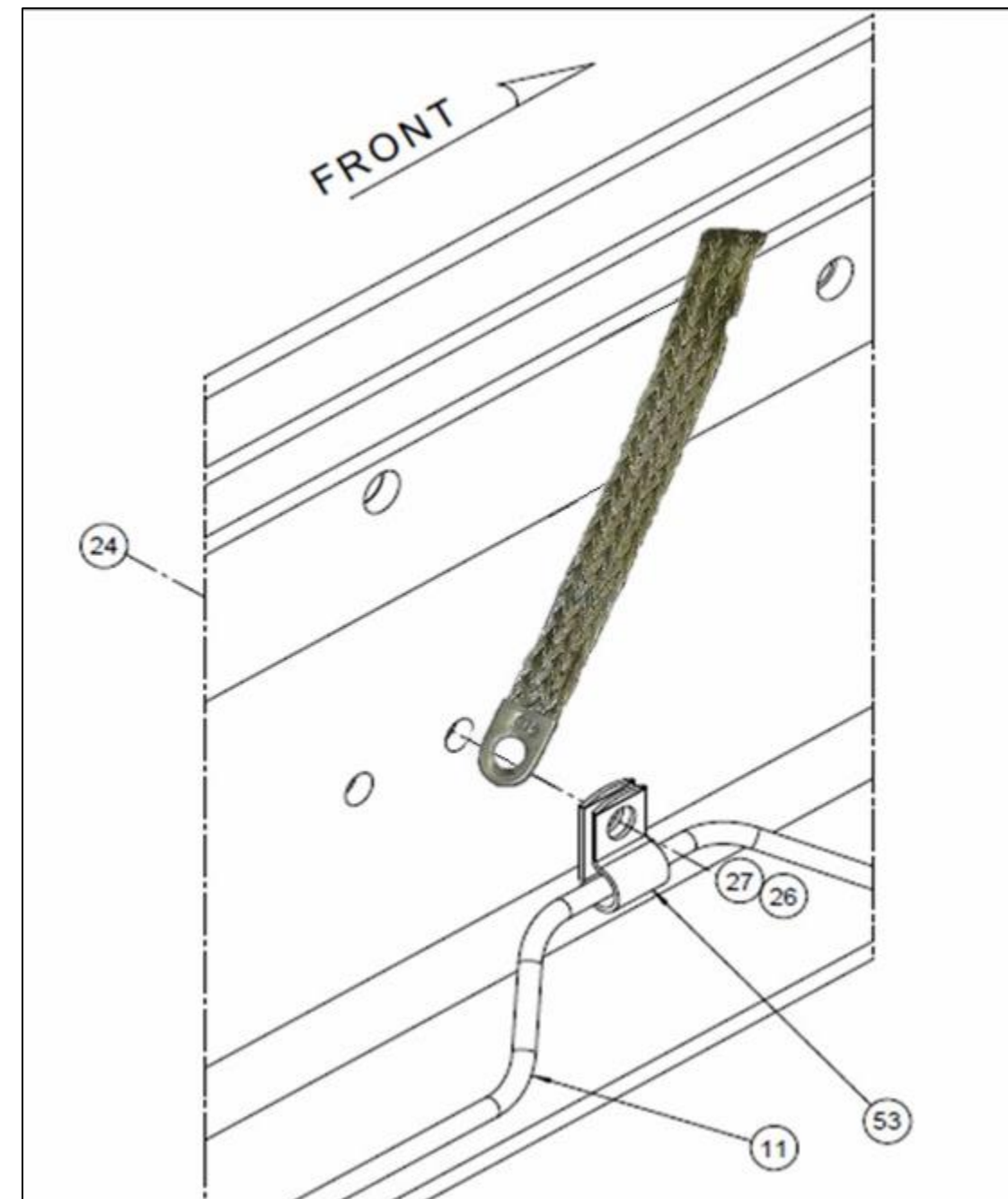


Illustration 1



RECALL

R21BN: Hydraulic Brake Line Rub on Ford 7.3L

Instructions: Repair A *(continued)*

- Install new locknut (Item 24) onto the capscrew on the outside of the frame rail.
- While ensuring the ground strap and P-Clamp are properly positioned, tighten the lock nut and torque to 30 ft-lbs.

*IMPORTANT: The stack of components is critical. Proper sequence is frame, ground strap then P-Clamp
Do not install P-Clamp between frame and ground strap.*

- Perform a visual inspection to ensure the hydraulic line is not rubbing any components. This includes items such as the chassis frame, mounting brackets, fuel, air or electrical lines/harnesses.

Instructions: Repair B

- Repair B includes the replacement of the hydraulic line (if required) in addition to Repair A .