

SEAT BASE HANDHOLD WITHOUT TOP CASE MOUNTING PLATE

Disassemble Seat Base Passenger Handhold Assembly

1. Remove seat. See service manual.
2. See Figure 1. Remove passenger handhold assembly.
 - a. Remove screws (1).
 - b. Remove screws (3).
 - c. Disconnect tail lamp connector (6).
 - d. Remove seat base assembly.
3. See Figure 2. Remove tail lamp.
 - a. Remove screws (1).
 - b. Remove tail lamp.
4. See Figure 3. Remove passenger handhold.
 - a. Remove screws (5).
 - b. Remove Original Equipment (OE) passenger handhold (1).

Assemble Seat Base Passenger Handhold Assembly

1. See Figure 3. Install passenger handhold.
 - a. Install **new** passenger handhold (1).
 - b. Install screws (5). Tighten.
Torque: 7–8.5 N·m (62–75 **in-lbs**) *Handhold screw*
2. See Figure 2. Install tail lamp.
 - a. Install tail lamp.
 - b. Install screws (1). Tighten.
Torque: 7–9 N·m (62–80 **in-lbs**) *Tail lamp screw*
3. See Figure 1. Install passenger handhold assembly.
 - a. Install lock cylinder (4).
 - b. Install screws (3). Tighten.
Torque: 1.3–1.7 N·m (12–15 **in-lbs**) *Seat lock cylinder screw*
 - c. Connect tail lamp connector (6).
 - d. Install seat base assembly (2).
 - e. Install screws (1). Tighten.
Torque: 22.5–27.7 N·m (17–20 **ft-lbs**) *Seat handhold base screw*
4. Install seat. See service manual.

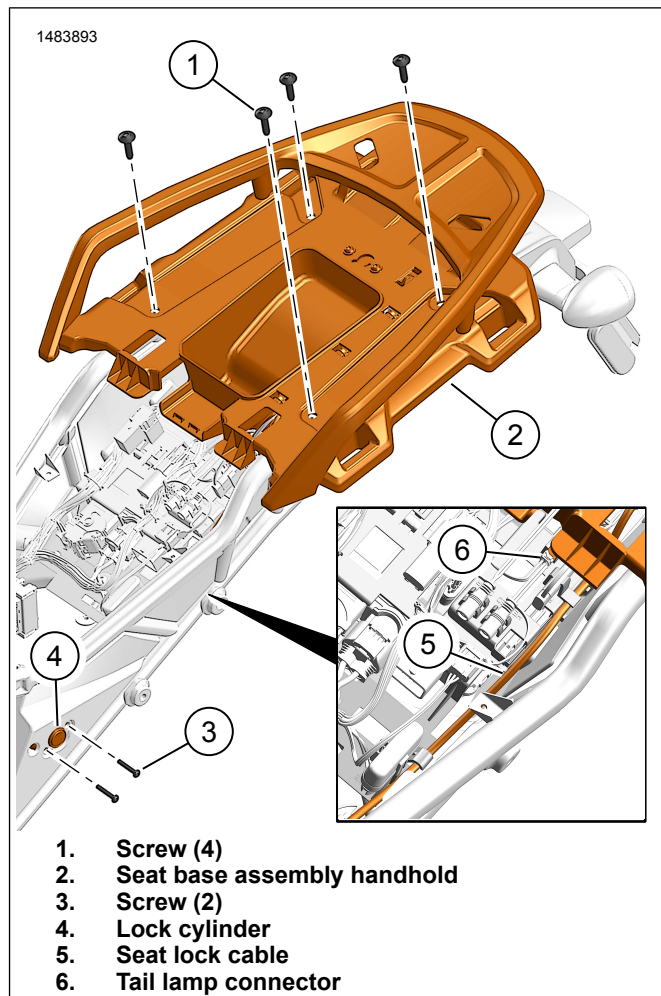


Figure 1. Seat Base Assembly

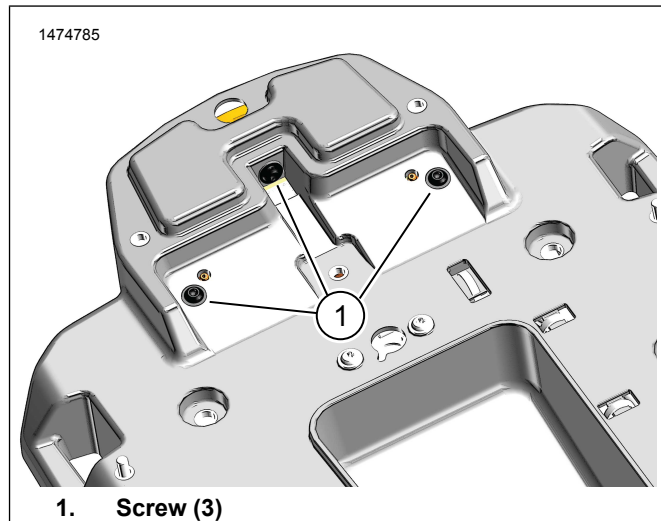


Figure 2. Tail Lamp

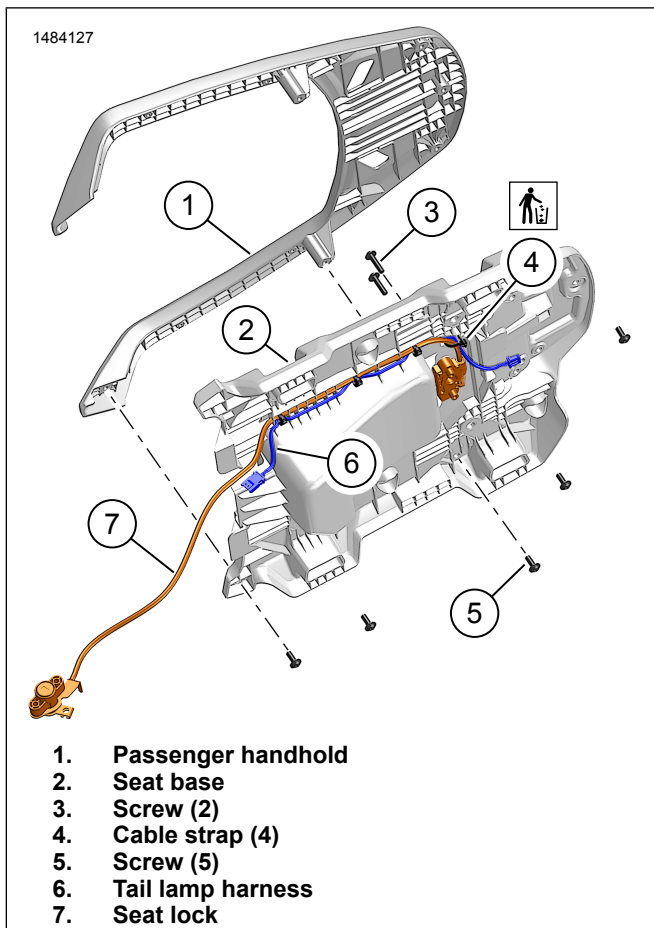


Figure 3. Disassembling Passenger Handhold Assembly SEAT BASE HANDHOLD WITH TOP CASE MOUNTING PLATE (IF INSTALLED)

1. Remove top case, if installed.
2. Remove seat. See service manual.
3. See Figure 4. Remove four screws (1), flat washers (2) and plastic washers (3).
4. Remove top plate (8).
5. See Figure 5. Remove screws (4).
6. See Figure 6. Remove screws (1).
7. Remove OE passenger handhold (2).
8. See Figure 6. Install **new** passenger handhold.
 - a. Loosely install screws (1) on both sides.
 - b. See Figure 5. Install handhold base to handhold screws (4).
 - c. Tighten all screws.
Torque: 7–8.5 N·m (62–75 **in-lbs**) *Handhold screw*

9. See Figure 4. Install top plate.
 - a. Install custom washers (6), plastic washers (5) and plastic slides (4) onto mounting bracket (7).
 - b. Install top plate (8).

NOTE

Make sure plastic slides (4) are in position on both sides of the top plate before tightening screws (1).

- c. Install plastic slides (4), plastic washers (3), flat washers (2) and screws (1).
- d. Tighten screws (1).
Torque: 9.5 N·m (84 **in-lbs**) *Top plate screw*

10. Install seat. See service manual.

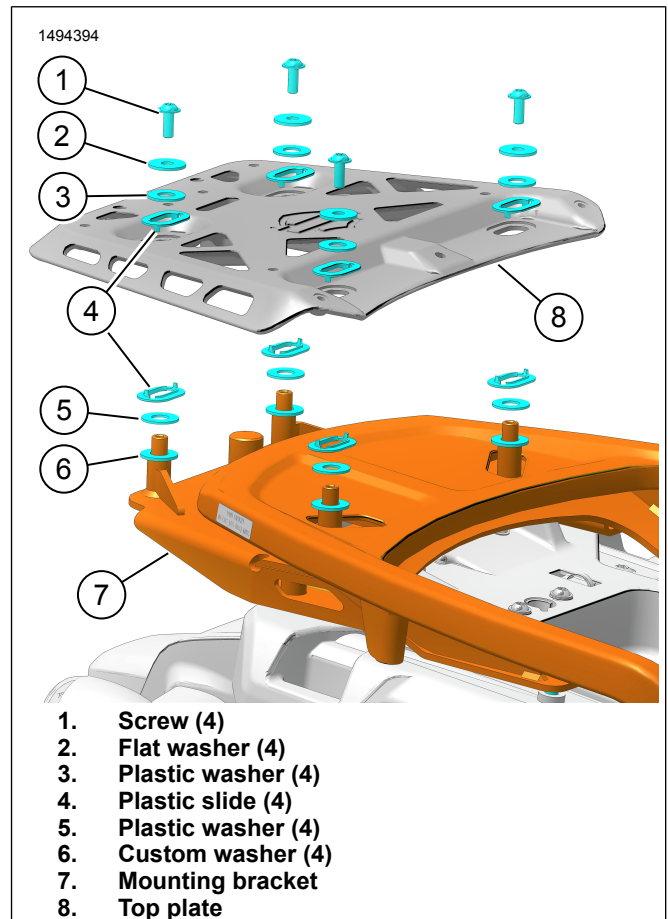


Figure 4. Top Plate Hardware

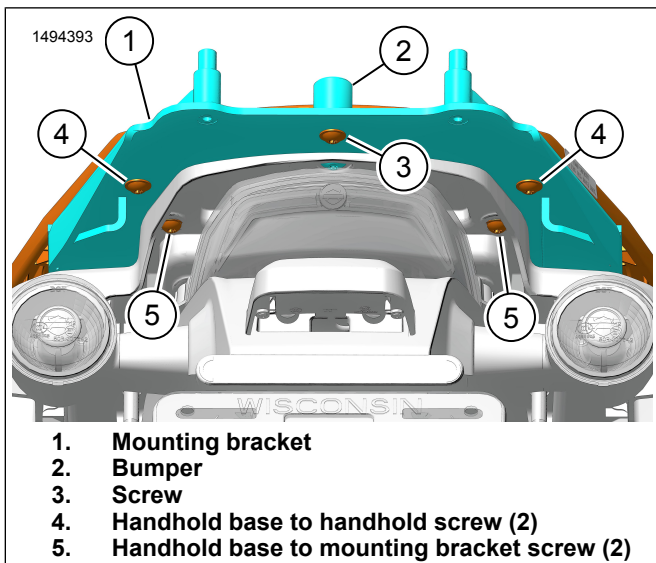


Figure 5. Rear Mounting Screws

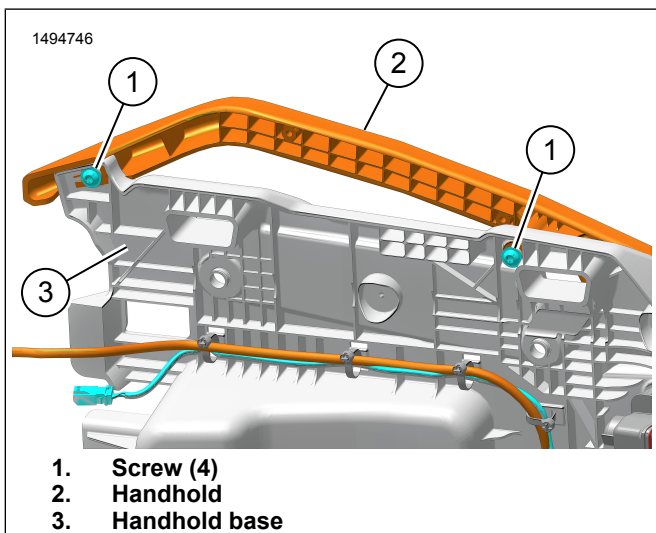


Figure 6. Handhold

Credit Procedure

NOTE

Enter bulletin number into comment section of claim.

Credit Procedure: Talon/h-dnet.com warranty claim system users

Submit a claim for each vehicle serviced in this bulletin for which Vehicle Identification Number (VIN) involvement was verified on H-Dnet.com. Refer to Table 4.

Table 4.

ITEM	DATA
Claim Type	SRC
Problem Part Number	47200713
Quantity	Leave Blank
Primary Labor Code ⁽¹⁾	2717
Time	0.2 h
Customer Concern Code ⁽¹⁾	0178
Condition Code	9981
Replacement Part No.	91500108
Quantity	1

(1) Download may be required.

Credit Procedure: SAP system users

Upon submission of the properly completed claim, dealers will be credited for 0.2 h of labor time for performing the procedure, plus appropriate administrative time. Credit will also be issued for the recall kit (United States only). Submit campaign events on the dealers own warranty claim. Do not mix them with other warranty events.

Submit a claim for each motorcycle serviced in this bulletin for which VIN involvement was verified on H-Dnet.com. Refer to Table 5.

Table 5.

ITEM	DATA
Claim Type	Recall Claim
Fix ID-Found in Recall Number	R
Problem Part Number	47200713
Customer Concern Code	0178
Condition Code	9981

Dealer Inventory Instructions

If dealers have old stock. Inspect the manufactures date code on the bottom of the part to ensure a small dot is present on the September or later build month. If no dot is present, or dot indicates an earlier build month then replace by following DFS/PAM Stock warranty process.

Refer to Table 7.

Table 6. Part Numbers

Old Part No.	Item Description	Current Part No. To Use
47200713	Base, seat	47200713

Table 7. Parts in Dealer Stock

ITEM	DATA
Claim Type	DFS/PAM - Stock
Problem Part Number	47200713
Quantity	Could vary
Customer Concern Code	6812
Condition Code	1518

Return Parts

Hold all claimed parts for 60 d from date of credit issued for possible field inspection and/or request to return to factory. After 60 d, destroy and discard the parts.