



Volvo Car Customer Service

QB Instruction I10136

Title	Airbag driver side	Page:	1 (8)
Action	Replacement	Operation number:	97755-2

Issue	Date	Reason
1	2021-10	First edition

Affected vehicles

Year	Model	Engine	Transmission	Steering	Chassis number
2001-2007	V70 (-07)	All	All	All	
2001-2007	XC70 (-07)	All	All	All	

Materials

Materials	Qty.	Part number	Notes
Air bag module	1	32332161	3 Spoked Driver Airbag
Air bag module	1	32332168	4 Spoked Driver Airbag
Airbag module	1		RTI 4 Spoked Driver Airbag – NO STOCK YET

Warning!

Under no circumstances use an ohmmeter or other live measuring instrument to take readings on a disconnected, non-deployed pyrotechnical SRS component.

Warning!

Pyrotechnical SRS components must never be taken apart, repaired, transferred to another vehicle, deployed, or disposed of.

Note!

The illustrations in this service information are used for different model years and/or models. Some variation may occur. However, the essential information in the illustrations is always correct.

Preparation



Caution!

Handle all the packaging with care, this shall be re-used when returning the old component.

- Cardboard box
- Steel cage
- Wrapping material

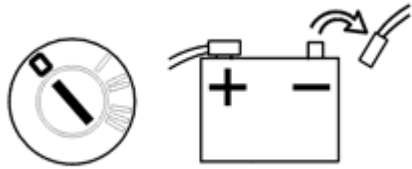


Note !

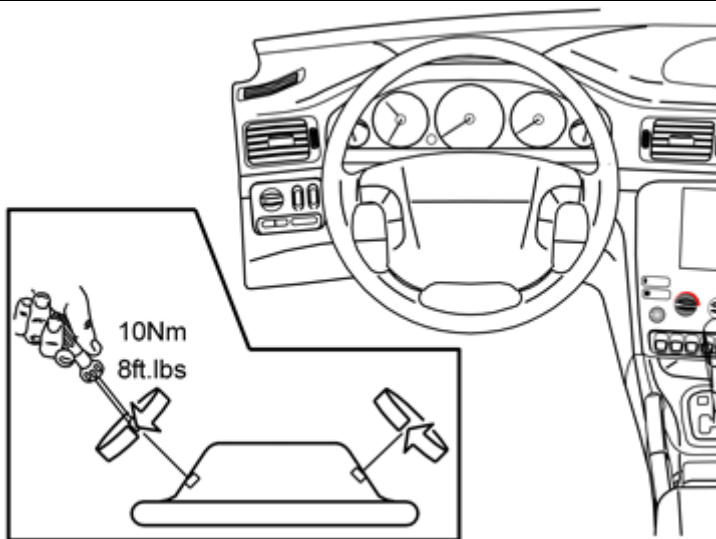
The unique serial number on the **New** module must be recorded on your repair order, so that it can be added in the text field in QW90. Only state serial number, no other text or figures is allowed. If the serial number is missing on the repair order the claim will be rejected.

Airbag driver side (SRS), replacing (4 spoke steering wheel)

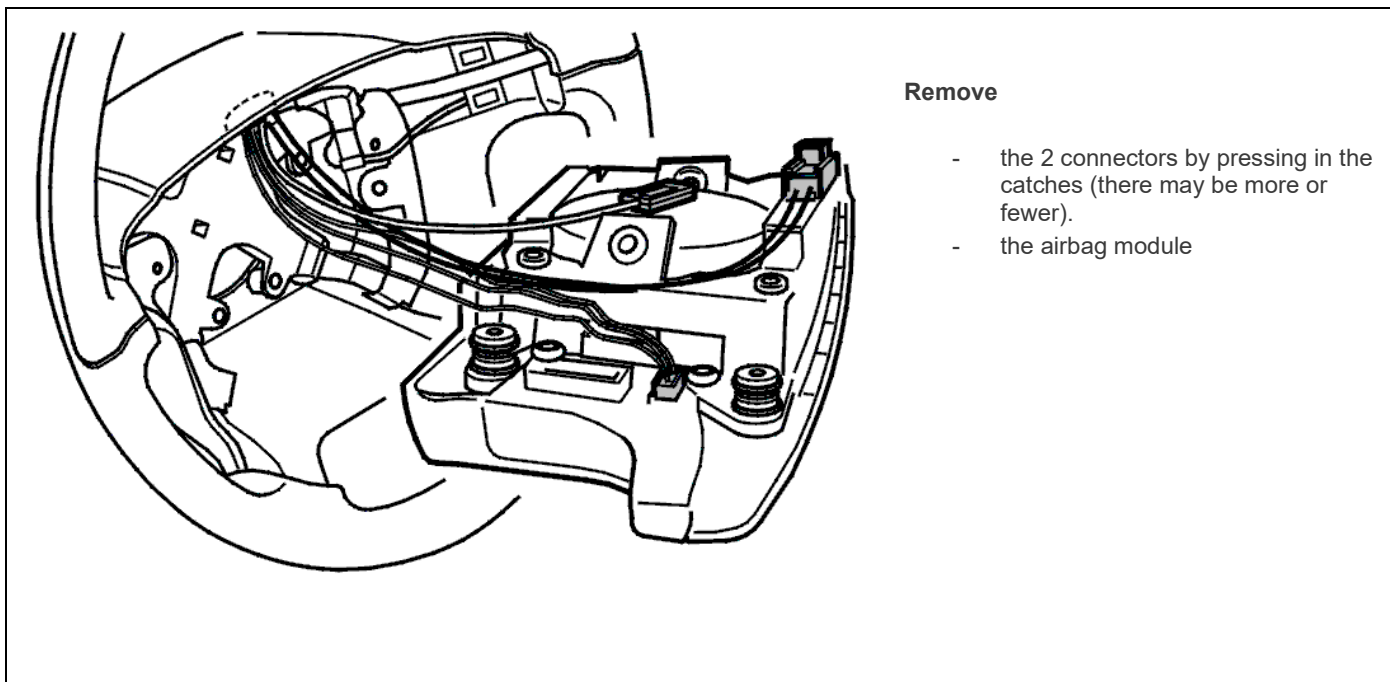
Removal



Ignition off.
Disconnect the battery negative cable.



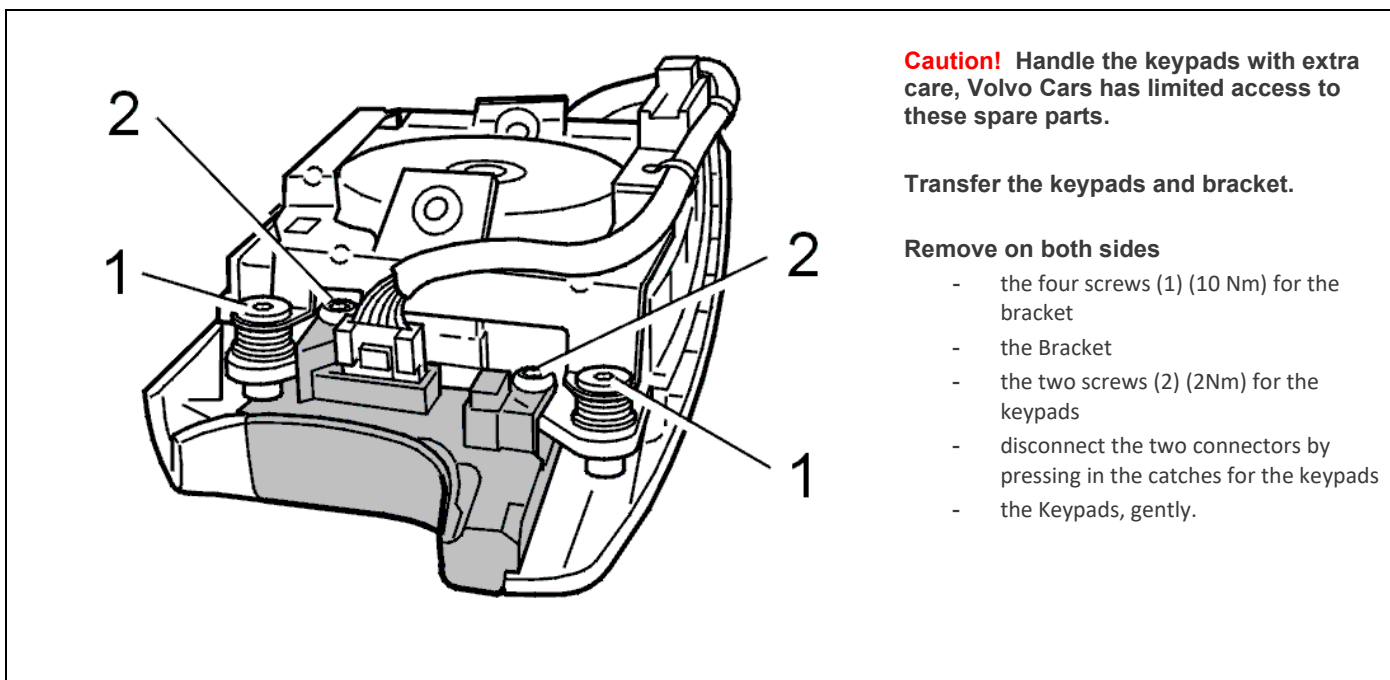
Turn the steering wheel so that there is enough space for tools.
Completely loosen the two screws positioned at 45 degrees on the rear of the steering wheel.
Pull out the airbag module to access the connectors.
Use: Torx 30



Remove

- the 2 connectors by pressing in the catches (there may be more or fewer).
- the airbag module

Transferring Components



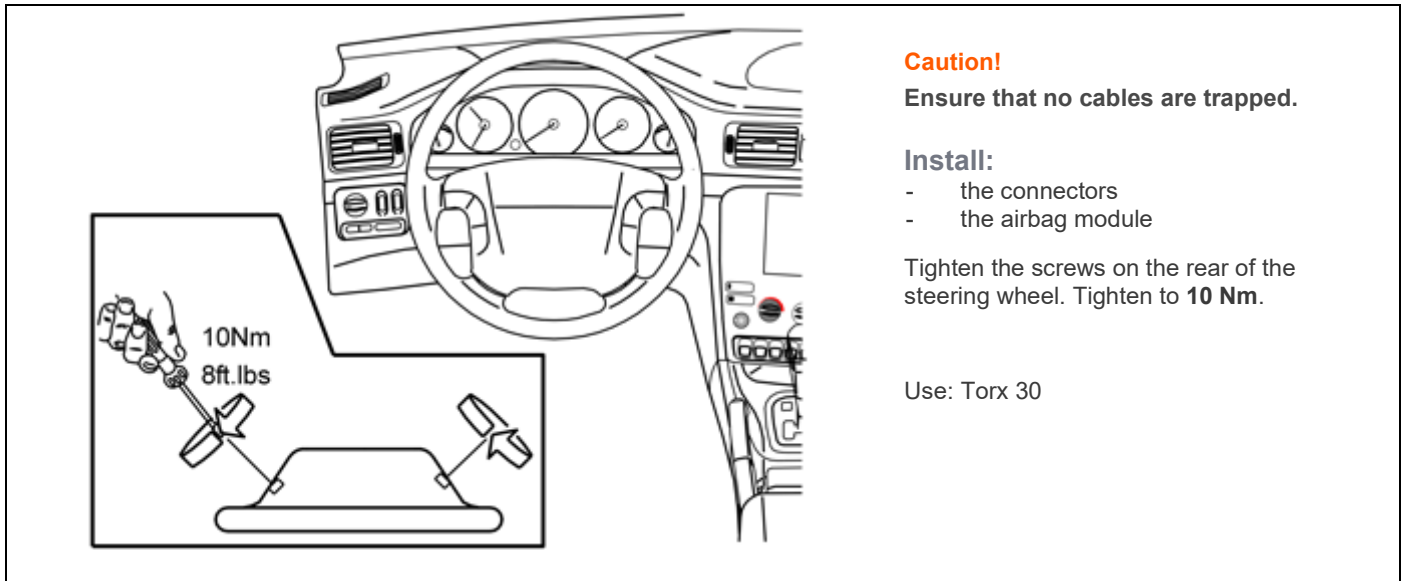
Caution! Handle the keypads with extra care, Volvo Cars has limited access to these spare parts.

Transfer the keypads and bracket.

Remove on both sides

- the four screws (1) (10 Nm) for the bracket
- the Bracket
- the two screws (2) (2Nm) for the keypads
- disconnect the two connectors by pressing in the catches for the keypads
- the Keypads, gently.

Installation



Caution!

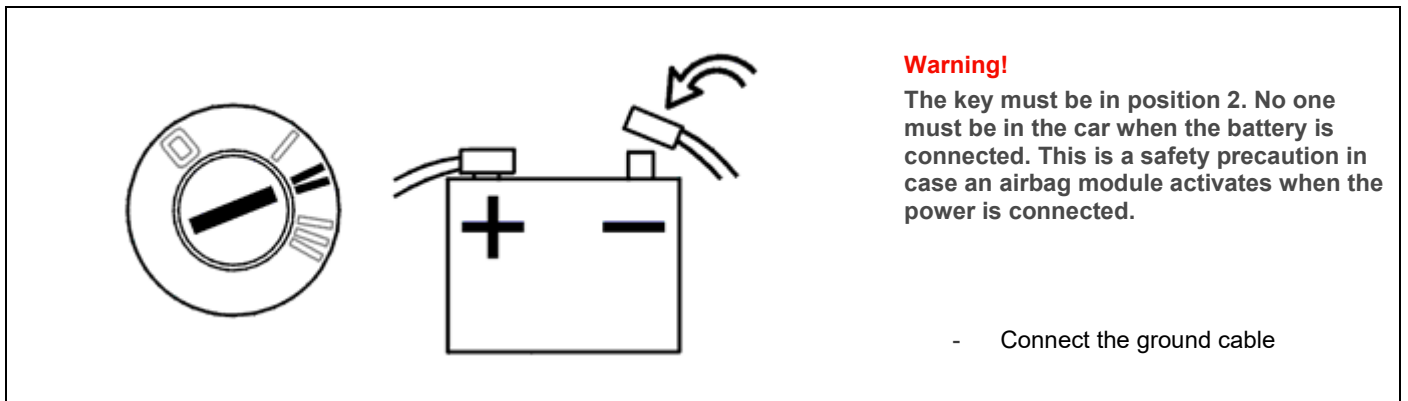
Ensure that no cables are trapped.

Install:

- the connectors
- the airbag module

Tighten the screws on the rear of the steering wheel. Tighten to **10 Nm**.

Use: Torx 30



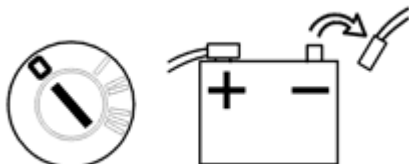
Warning!

The key must be in position 2. No one must be in the car when the battery is connected. This is a safety precaution in case an airbag module activates when the power is connected.

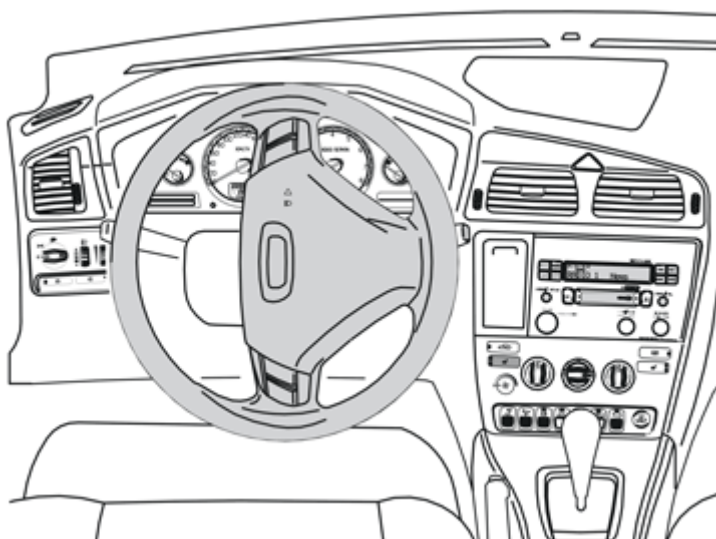
- Connect the ground cable

Airbag driver side (SRS), replacing (3 spoke steering wheel)

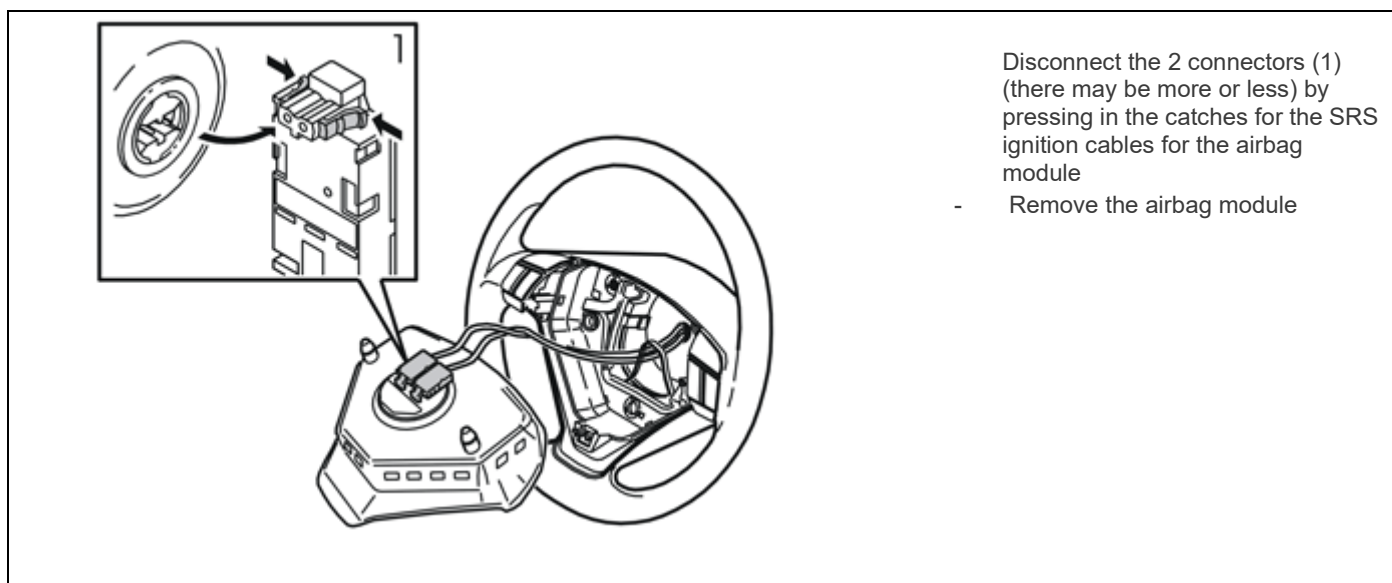
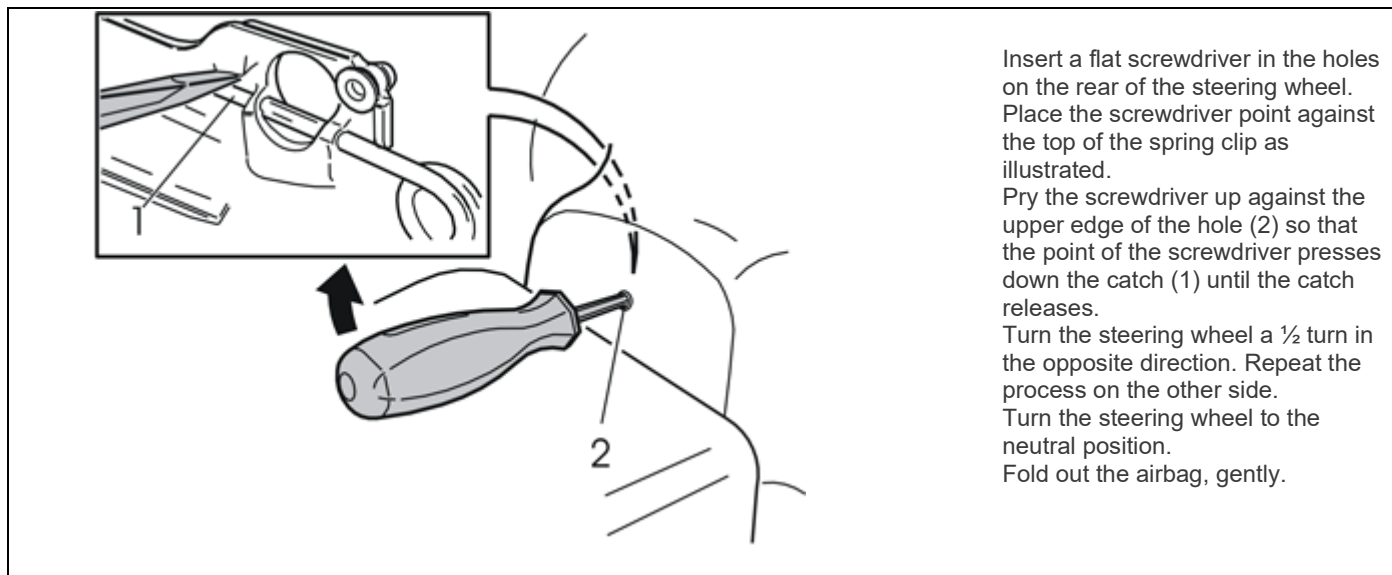
Removal



Ignition off.
Disconnect the battery negative cable.



Turn the steering wheel a $\frac{1}{4}$ turn so that the two holes on the rear of the steering wheel are accessible.

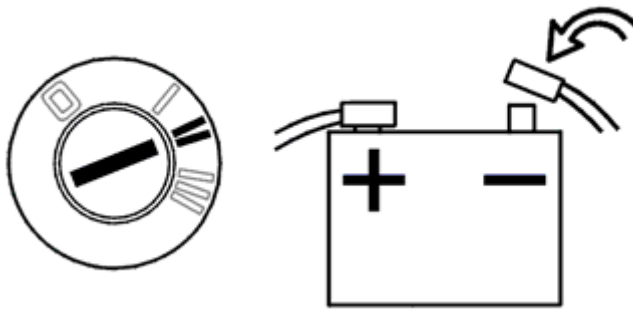


Installation

Caution!

Ensure that no cables are trapped.

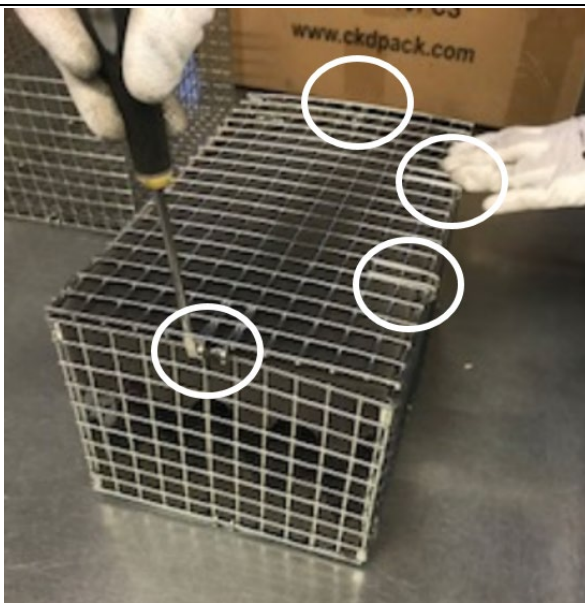
To install, reverse the removal procedure.



Warning!

The key must be in position 2. No one must be in the car when the battery is connected. This is a safety precaution in case an airbag module activates when the power is connected.

- Connect the battery ground cable



Warning!

Make sure that all four hooks are engaged, securing that the top part of the cage is connected.

If necessary, a screwdriver can be used.

Note!

Place the old component in the packaging that the new one was delivered in for further transport according to instructions.



Note!

Mark the box with your Repair order number.

Return the Box to your parts department for further transport.

