



***** IMPORTANT SAFETY RECALL *****
NHTSA Recall No. 20E-018
Cummins Campaign #C2302
Final Notice

May 28, 2021

Dear Cummins Customer:

This notice is sent to you in accordance with the requirements of the National Traffic and Motor Vehicle Safety Act.

Cummins Inc. has decided that a defect which relates to motor vehicle safety exists in certain B6.7 diesel engines that were manufactured between December 16, 2015 and March 24, 2020 and equipped with fuel module option FS90301 or FS90453.

This notice applies to your engine(s) listed on the enclosed Engine/Vehicle list.

If your engine was manufactured between December 16, 2015 and February 25, 2019, you received a similar notice regarding NHTSA Recall No. 19E-020 (Cummins Safety Campaign #C2127) pertaining to your engine(s). This recall notice supersedes the prior recall notice; you must have the remedy described in this recall performed on your engine, even if your engine was remedied under the prior recall.

If your engine was manufactured between February 26, 2019 and November 5, 2019, your engine may have had repairs done according to Cummins Campaign #C2128 or ATC2278. This recall notice supersedes actions under those field actions; you must have the remedy described in this recall performed on your engine, even if your engine was remedied under those actions.

If your engine was manufactured between November 6, 2019 and March 24, 2020, this is a new action.

WHY IS A RECALL BEING CONDUCTED?

Fuel module options FS90301 and FS90453 contain an electric fuel heater. Internal electrical heating within the fuel heater may create sufficient heat inside the fuel heater to cause plastic in the fuel heater to melt and potentially catch fire. It may also cause an engine stall. A fire, if undetected and uncontained, presents an increased risk of personal injury. An unexpected engine stall may increase the risk of a crash. If this condition exists, melting of the fuel heater or fuel seepage from around the fuel heater may be visible during a service event, smoke may precede or accompany a fire, or the engine may become increasingly difficult to start.

WHAT ARE WE DOING ABOUT THE PROBLEM?

Cummins has released field Safety Campaign #C2302 "B6.7 Engine-Mounted Fuel Heater Safety Campaign" to correct this condition. This campaign is currently available at Cummins Distributors and Cummins-authorized Warranty Dealers. The remedy will consist of the following: (1) disabling the fuel heater by either installing a plug in place of the fuel heater or otherwise rendering the fuel heater inoperable and (2) removing the fuse supplying electrical power to the fuel heater and installing a cover over the wire harness connector. The repair will be completed free of charge (parts and labor) and most applications will require approximately 30 minutes to complete.

This safety recall addresses the potential safety defect for your engine. However, this repair will disable the fuel heater. Cummins is currently working to determine an appropriate cold weather starting aid for customers that require it. Cummins Distributors and Dealers will be notified when a separate field action is available.

WHAT SHOULD YOU DO?

Contact the nearest Cummins Distributor or authorized Warranty Dealer to arrange to have this campaign performed on your engine. The distributor or dealer will work with you to schedule the best date to complete this repair.

In the meantime, to mitigate the safety risk, Cummins advises you to remove the fuel heater fuse as shown in Figures 1, 2 or 3 below (based on the vehicle).

Federal law requires vehicle lessors receiving this recall notice to forward a copy of this notice to the lessee within ten (10) days. Also, it is a violation of Federal law for a dealer to deliver a new vehicle or equipment covered by this recall notice under a sale or lease until the defect has been remedied.

If you previously paid to have this recall performed on your vehicle, you may be eligible for reimbursement. Please contact Cummins Care at the number below for more information.

WHO SHOULD YOU CONTACT IF YOU HAVE FURTHER QUESTIONS OR CONCERNS?

If you have questions or concerns about this recall, please contact your local Cummins Distributor or authorized warranty dealer. You may also contact Cummins Care at 1-800-CUMMINS (1-800-286-6467) or visit our website at care.cummins.com.

If you have a complaint relative to this recall, you may report it to the following:

Administrator
National Highway Traffic Safety Administration
1200 New Jersey Avenue, SE
Washington, DC 20590

You may also call the toll-free Vehicle Safety Hotline at 1-888-327-4236 (TTY: 1-800-424-9153); or go to <http://www.safercar.gov>.

If you have not registered your Cummins product, please complete the enclosed registration card or register your product at <https://prodreg.cummins.com/prodreg/#/webform/contactInfo>.

If you are no longer the owner of the engine or vehicle listed in the table, please forward this notice to the new owner or provide the new owner's contact information to Cummins at cummins.campaign.administration@cummins.com so that we can notify them of this recall.

Cummins is taking this action in the interest of safety and satisfaction with our products. We apologize for any inconvenience and thank you for your attention to this matter.

Sincerely,

Campaign Administrator
Cummins Inc.

Navistar® CE Bus and 1300 FBC Fuse Removal Instructions (Reference Figure 1 below)

1. Disconnect vehicle battery.
2. Locate red 50 Amp or green 30 Amp Maxi Fuse on under hood fuse panel.
3. Remove fuse cap and discard red or green Maxi Fuse.
4. Reinstall fuse cap. Do **not** replace fuse.
5. Reconnect vehicle battery.

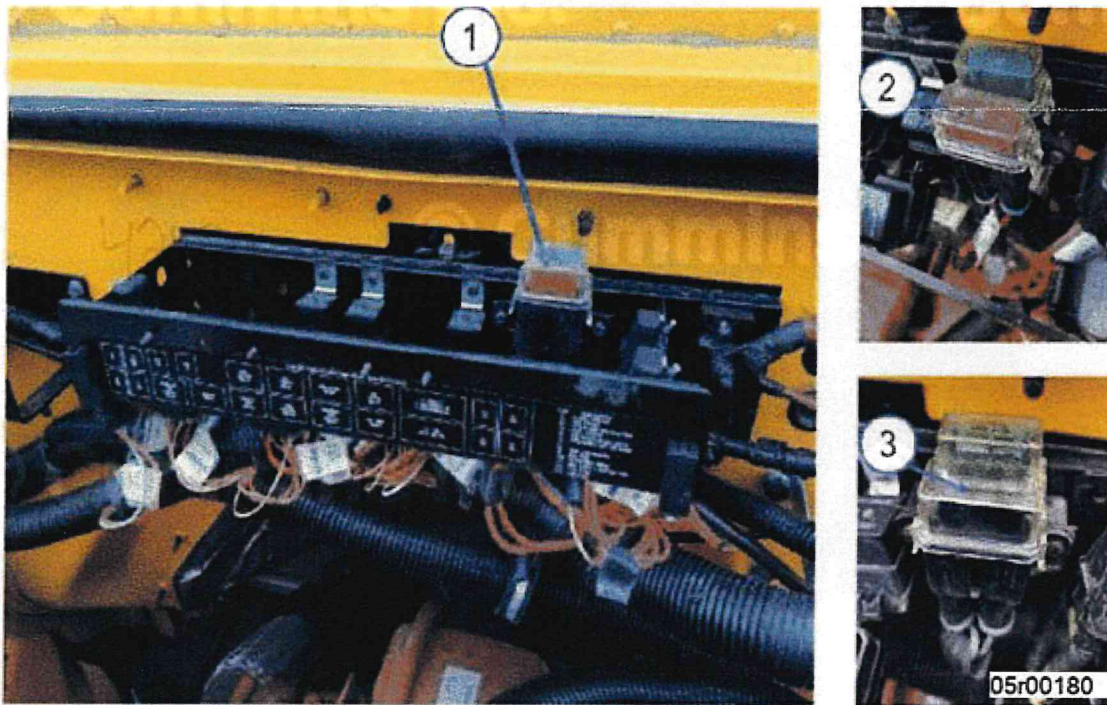


Figure 1 - Location of Fuse on Navistar® CE Bus and 1300 FBC.

**Navistar® MV, HV and TC Commercial Bus (some DuraStar (4300)/WorkStar (7300)
Fuse Removal Instructions (Reference Figure 2 below)**

1. Disconnect vehicle battery.
2. Remove 30 or 40 amp fuse located at 2C cavity.
3. Reconnect vehicle battery.

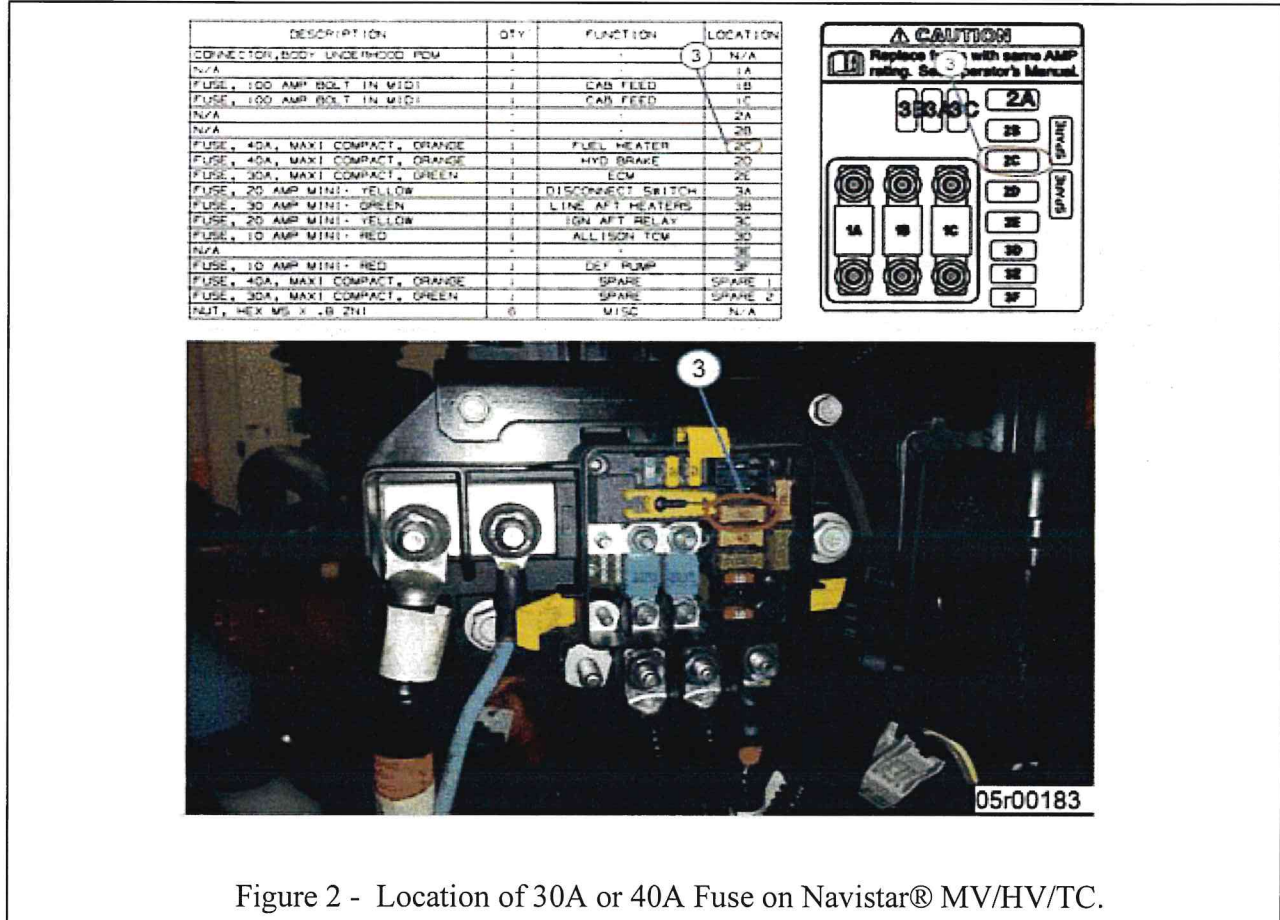


Figure 2 - Location of 30A or 40A Fuse on Navistar® MV/HV/TC.

Navistar® DuraStar (4300) / WorkStar (7300) / HC Commercial Bus Fuse Removal Instructions (Reference Figure 3 below)

1. Disconnect vehicle battery.
2. Remove Power Distribution Module (PDM) cover, located under the hood on the driver side of the vehicle.
3. Remove fuse located at cavity 2C.
4. Reconnect vehicle battery.

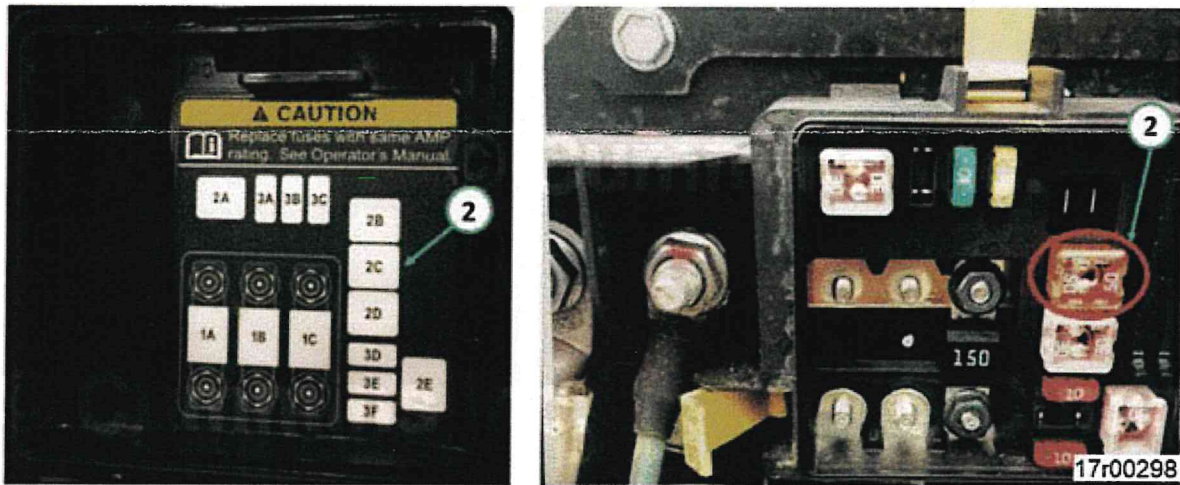


Figure 3 - , Location of Fuse on Navistar® DuraStar (4300) / WorkStar (7300) / HC Commercial Bus