

AMB6 - Checking Three-Point Belt and Replacing it if Necessary (Stop Delivery/Recall Campaign)

Model Line: **Cayenne (9YA/9YB)**

Model Year: **As of 2021 up to 2022**

Country/Market: USA (C02)
Canada (C36)

Concerns: **Child locking function on rear center three-point belt**

Information: **There is a possibility that the child-seat lock on the three-point belts in the affected vehicles will not always function properly due to a defective locking lever.**

As a result, the legal requirements for the child-seat lock function of the three-point belts may not be met.

Action required: **Check rear center three-point belt and replace it if necessary.**

Affected Vehicles: Only vehicles assigned to the campaign (see also PCSS Vehicle Information).

Parts required

If necessary remove the parts from the corresponding invoicing scope after checking the three-point belt.
For invoicing scopes, see
⇒ *Technical Information 'Warranty processing'*

Required tools



Information

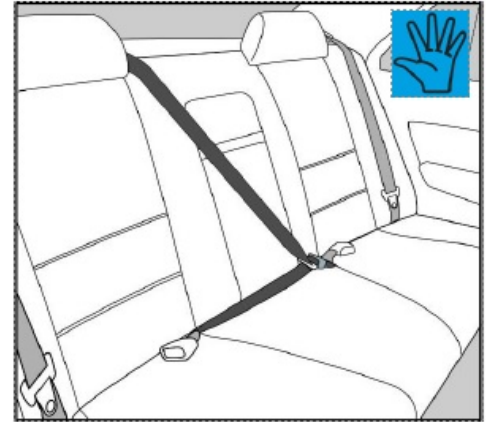
No tools are required for checking the three-point belt.

- Tools:
- Torque wrench, 6 – 50 Nm (4.5 – 37 ftlb.), e.g. **VAG 1331A Torque wrench, 6-50 Nm (4.5-37 ftlb.)**
 - **9943 - 9943 - Removal tool**

Checking rear center three-point belt

Work Procedure: **Checking rear center three-point belt**

- 1 Insert three-point belt with the seat-belt fastener into the seat-belt buckle and lock it ⇒ *Closing three-point belt*.
- 2 Pull belt strap about 200 mm - 250 mm / 7.87 in — 9.84 in out of the belt installing and hold in place with your hand ⇒ *Holding belt strap -Left picture-*.

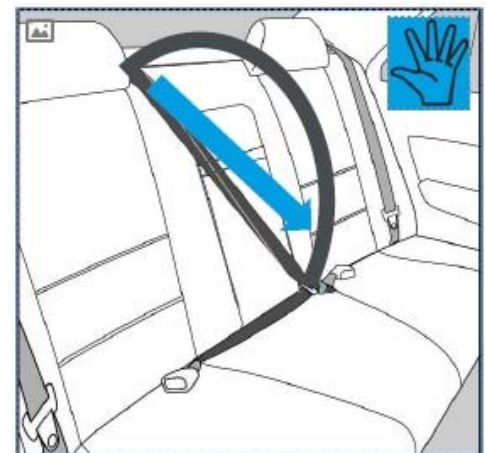


Closing three-point belt



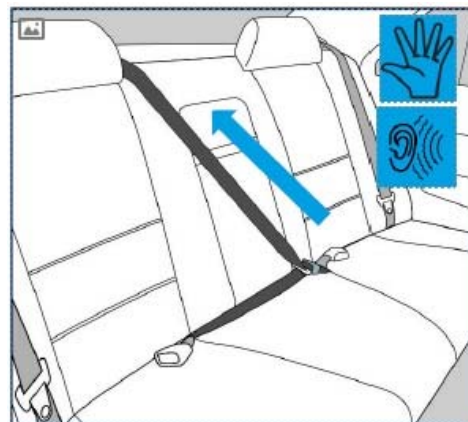
Holding belt strap

- 3 While holding the belt strap with your hand, ⇒ *Holding belt strap -Right picture-* pull the belt strap out fully ⇒ *Pulling out belt strap* to activate the child locking function (ALR automatic locking retractor).



Pulling out belt strap

- 4 Allow the belt strap to retract slowly, checking whether an audible click can be heard while it retracts ⇒ *Retracting belt strap*.
Keep holding the belt strap with your hand.



Retracting belt strap

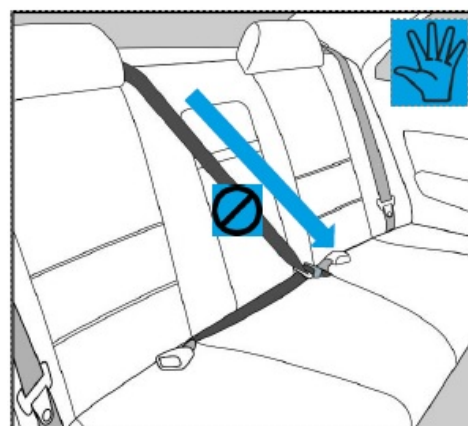
- 5 As soon as the belt strap has retracted, check whether it can be pulled out completely again or is blocked ⇒ *Pulling out belt strap and checking belt locking system*.

When checking the three-point belt, if you discover that the **belt strap does not block**, the three-point belt affected must be replaced. To do this, continue with:

- ⇒ *Technical Information 'Replacing rear centre three-point belt'*

If the belt strap blocks and an audible click can be heard when the three-point belt retracts:

- **Repeat steps 1 to 5 four times**



Pulling out belt strap and checking belt locking system



Information

If the child-lock function does not comply with specifications once during the five checks, the three-point belt in question must be replaced.

If five tests confirm that the child locking function of the three-point belt works according to specifications, the three-point belt does **not** have to be replaced.

If the **three-point belt works according to specifications**, the campaign must be completed as follows:

- Enter the campaign in the Warranty and Maintenance booklet
- End of remedial action

Replacing rear center three-point belt



WARNING

Incorrect handling of seat-belt pretensioner unit

- Triggering of seat-belt pretensioner unit
- ⇒ Observe safety regulations for handling seat-belt pretensioner units. ⇒ *Workshop Manual '6X00IN Handling and replacing airbag and seat-belt pretensioner units'*
- ⇒ Observe disposal regulations for seat-belt pretensioner units. ⇒ *Workshop Manual '6X00IN Disposal of airbag and seat-belt pretensioner units'*
- ⇒ After disconnecting the battery, wait 1 minute before disconnecting the seat-belt pretensioner unit.
- ⇒ Set aside the remote control and disconnect the battery. Route or insulate the ground strap so that all contact with a ground carrier is avoided. ⇒ *Workshop Manual '978519 Removing and installing ground strap for battery'*
- ⇒ If removed for an extended period, the seat-belt pretensioner unit must be stored in a safe place.
- ⇒ Transport the seat-belt pretensioner unit in such a way that the belt strap can retract safely if it is actuated.



Information

Dispose of replaced and non-ignited airbag and seat-belt pretensioner units in accordance with local legal requirements and transport regulations.

Work
Procedure:

Preparatory work

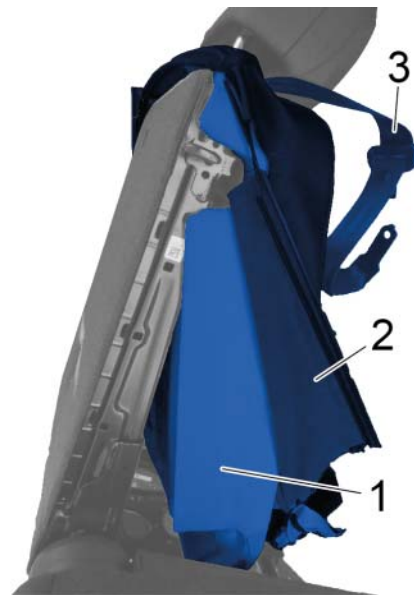
- 1 Remove the rear seat padding (2/3-split folding rear seat).
⇒ *Workshop Manual '74491901 Removing and installing the padding for the rear seat surface (2/3-split folding rear seat)'*
- 2 Remove rear seat.
⇒ *Workshop Manual '724819 Removing and installing rear seat'*
- 3 Remove rear (outer) trim panel.
⇒ *Workshop Manual '72161901 Removing and installing rear (outer) trim panel'*
- 4 Detach padding for rear backrest (2/3-split folding rear seat) until the three-point belt for the rear middle seat is accessible.
For instructions, see:
⇒ *Workshop Manual '74521901 Removing and installing padding for rear backrest (2/3-split folding rear seat)'*



Information

The headrest and headrest guides do not have to be removed.

- 5 Lift up padding for rear backrest (2/3-split folding rear seat) ⇒ *Padding for rear backrest (2/3-split folding rear seat)* -1- with rear backrest cover (2/3-split folding rear seat) ⇒ *Padding for rear backrest (2/3-split folding rear seat)* -2- until the belt retractor for the rear three-point belt for middle seat ⇒ *Padding for rear backrest (2/3-split folding rear seat)* -3- is accessible.

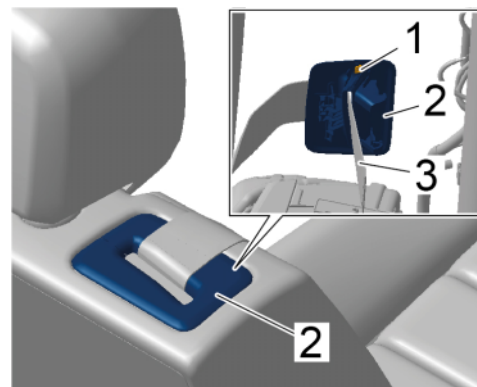


Padding for rear backrest (2/3-split folding rear seat)

Work
Procedure:

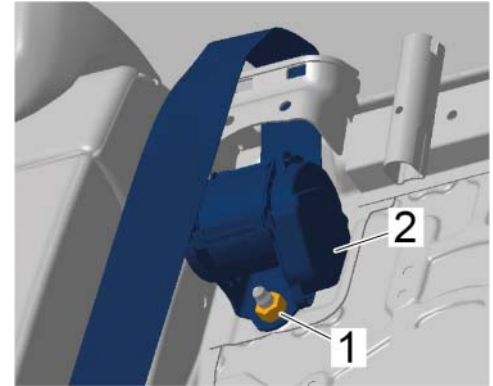
Removing rear center three-point belt

- 1 Release locking lug ⇒ *Belt feed-through element* -1- and remove belt feed-through element ⇒ *Belt feed-through element* -2- from rear three-point belt for middle seat ⇒ *Belt feed-through element* -3-.



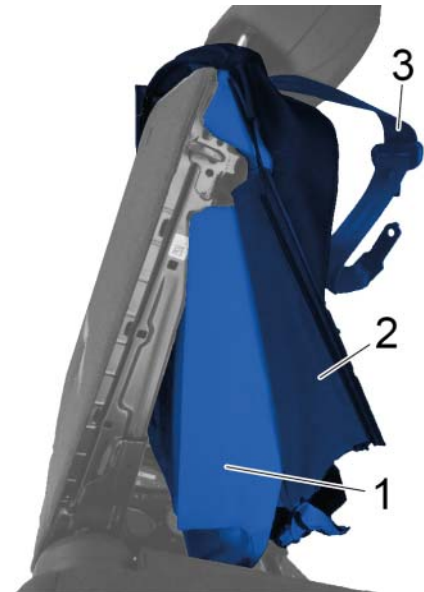
Belt feed-through element

- 2 Unscrew fastening nut \Rightarrow *Fastening nut on belt retractor -1-*.



Fastening nut on belt retractor

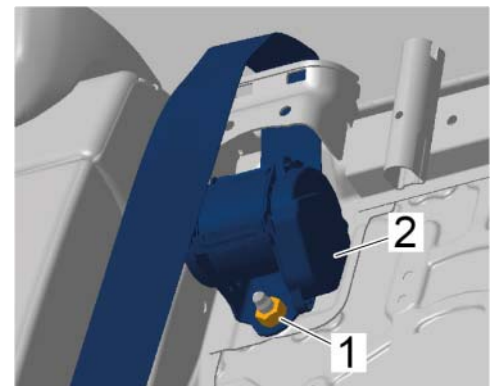
- 3 Feed three-point belt for rear middle seat \Rightarrow *Three-point belt for rear middle seat -3-* through the rear backrest cover (2/3-split folding rear seat) \Rightarrow *Three-point belt for rear middle seat -2-*, padding for rear backrest (2/3-split folding rear seat) \Rightarrow *Three-point belt for rear middle seat -1-* and backrest frame.



Three-point belt for rear middle seat

- 4 Remove rear three-point belt for middle seat \Rightarrow *Belt retractor for three-point belt -2-* under the padding for rear backrest (2/3-split folding rear seat).

Installing new rear center three-point belt



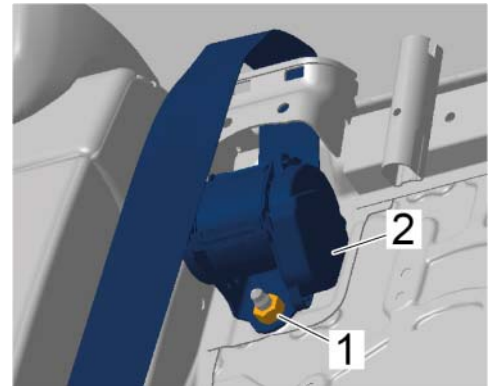
Belt retractor for three-point belt

- 1 Feed **new** three-point belt for rear middle seat ⇒ *Belt retractor for three-point belt -2-* under the padding for rear backrest (2/3-split folding rear seat).



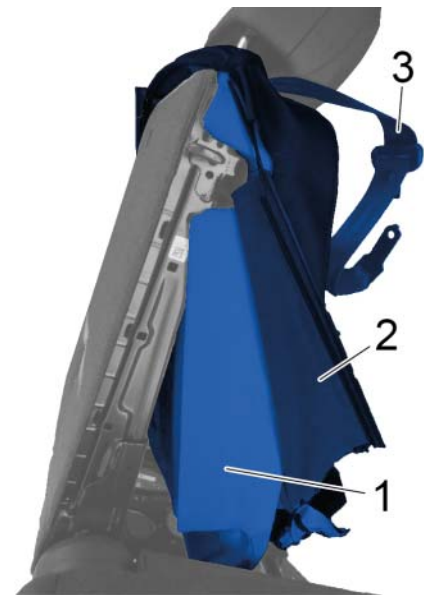
Information

Do not twist the three-point seat belt during installation.



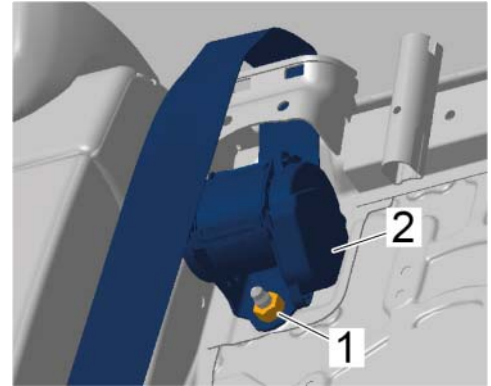
Belt retractor for three-point belt

- 2 Feed **new** three-point belt for rear middle seat ⇒ *Rear three-point belt for middle seat -3-* through the rear backrest cover (2/3-split folding rear seat) ⇒ *Rear three-point belt for middle seat -2-*, padding for rear backrest (2/3-split folding rear seat) ⇒ *Rear three-point belt for middle seat -1-* and backrest frame.



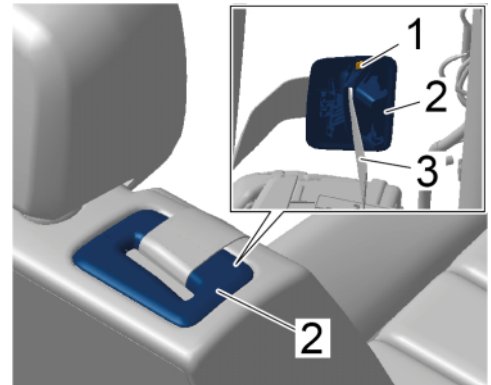
Rear three-point belt for middle seat

- 3 Install **new** fastening nut ⇒ *Fastening nut on belt retractor -1-* and tighten to **Tightening torque 40 Nm (30 ftlb.)** .



Fastening nut on belt retractor

- 1 Install belt feed-through element ⇒ *Belt feed-through element -2-* for three-point belt for rear middle seat ⇒ *Belt feed-through element -3-*.



Belt feed-through element

Work
Procedure:

Concluding work

- 1 Install padding for rear backrest (2/3-split folding rear seat).
⇒ *Workshop Manual '74521901 Removing and installing padding for rear backrest (2/3-split folding rear seat)'*
- 2 Install rear (outer) trim panel.
⇒ *Workshop Manual '72161901 Removing and installing rear (outer) trim panel'*
- 3 Install rear seat.
⇒ *Workshop Manual '724819 Removing and installing rear seat'*
- 4 Install the rear seat padding (2/3-split folding rear seat) (
⇒ *Workshop Manual '74491901 Removing and installing the padding for the rear seat surface (2/3-split folding rear seat)'*).
- 5 Enter the campaign in the Warranty and Maintenance booklet.

Warranty processing

Scope 1: **Checking three-point belt**

Checking three-point belt Labor time: **29 TU**
 Includes: Checking three-point belt

⇒ Damage Code AMB6 99 000 1

Scope 2-31: Not relevant for this vehicle type.

Scope 32: **Checking and replacing rear center three-point belt**

Checking and replacing rear center three-point belt Labor time: **77 TU**
 Includes: Checking three-point belt
 Replacing rear center three-point belt

Select the relevant version (color) of the three-point belt and specify it in the warranty claim.

Required part numbers:	Designation	Qty.
– Use		
9Y0857807A HCP	⇒ Three-point seat belt, black – rear center	1 ea.
9Y0857807A OG6	⇒ Three-point seat belt in bordeaux red – rear center	1 ea.
9Y0857807A OH7	⇒ Three-point seat belt, graphite blue – rear center	1 ea.
9Y0857807A OL8	⇒ Three-point seat belt, chalk – rear center	1 ea.
9Y0857807A OS1	⇒ Three-point seat belt, truffle brown – rear center	1 ea.
Additional parts required for replacing the three-point belt		
N 91205201	⇒ Cylinder screw – rear seat (seat frame)	4 ea.
9A700368200	⇒ Cylinder screw – belt installing	1 ea.
N 98991001	⇒ Hexagon nut – belt reel	1 ea.

⇒ Damage Code AMB6 99 000 2

Important Notice: Technical Bulletins issued by Porsche Cars North America, Inc. are intended only for use by professional automotive technicians who have attended Porsche service training courses. They are written to inform those technicians of conditions that may occur on some Porsche vehicles, or to provide information that could assist in the proper servicing of a vehicle. Porsche special tools may be necessary in order to perform certain operations identified in these bulletins. Use of tools and procedures other than those Porsche recommends in these bulletins may be detrimental to the safe operation of your vehicle, and may endanger the people working on it. Properly trained Porsche technicians have the equipment, tools, safety instructions, and know-how to do the job properly and safely. Part numbers listed in these bulletins are for reference only. The work procedures updated electronically in the Porsche PIWIS diagnostic and testing device take precedence and, in the event of a discrepancy, the work procedures in the PIWIS Tester are the ones that must be followed.

© 2021 Porsche Cars North America, Inc.