



## Recall Information Bulletin

**No:** C10120 **Issued:** 9/28/2020

**NHTSA No:** 21V585

**Transport Canada No:** 2021-470

**Re:** Front Leaf Spring Shackle Bolts

**Group:** 33 **Models:** FE

**SUBJECT:**

Safety Recall C10120 – Front Leaf Spring Shackle Bolts

**MODELS:**

FEC9T(FE180)

**VEHICLES INVOLVED:**

Certain 2020-2021 model year FEC9T trucks.

A list of vehicles your Dealership has sold that require this Recall can be found on the Dealer's "Open Campaigns" list supplied by MFTA via Fusonet. Some individual vehicles described above may not need the Recall as the repairs may have already been performed. Always check the "VIN Inquiry" tab under "Service" or "Warranty" on Fusonet to verify that the VIN requires this Safety Recall.

**Important note: It is a violation of Federal law for a dealer to deliver a new or used motor vehicle covered by this Recall Information Bulletin, under a sale or lease, until the Safety Recall has been completed.**

**OWNER NOTIFICATION:**

Owners of affected vehicles will be notified by mail.

**CONDITION:**

Mitsubishi Fuso Truck of America, Inc. has decided that a defect, which relates to motor vehicle safety, exists in the front leaf spring shackle bolt tightening process on certain 2020-2021 model year FEC9T(FE180) Mitsubishi Fuso trucks. On certain trucks, the front leaf spring rear lower shackle bolts were insufficiently tightened during initial assembly. If the vehicle continues to be operated in this condition, the bolt could back out and fall onto the roadway, becoming a road hazard, causing a crash without warning.

**MODIFICATION:**

The front leaf spring rear lower shackle and bolt will be inspected. If the bolt has backed out and has abnormally worn the shackle, the shackle and hardware will be replaced and tightened to the correct torque specification. If there is no damage, the existing bolt will be tightened properly.

**PARTS PROCUREMENT:**

Due to the limited number of affected vehicles, repair parts must be ordered using the Recall Parts Order Form on Fusonet.

Kit Number	Repair Parts		
	Quantity	Part Number	Description
C10120 Repair One Side	1	ML311583	SHACKLE ASSY,SPRING
	1	MB025159	PLATE,SHACKLE
	1	ML311553	BOLT, SPRING
	2	MH004158	NUT,FLANGE
C10120 Repair Both Sides	2	ML311583	SHACKLE ASSY,SPRING
	2	MB025159	PLATE,SHACKLE
	2	ML311553	BOLT, SPRING
	4	MH004158	NUT,FLANGE

**RECALL CLAIM SUBMITTAL:**

Reimbursement claims are filed through FALCON using the Field Fix claim type. Enter all requested information. The system will automatically apply the labor allowance.

<b>Campaign Reimbursement</b>					
<b>Campaign Number</b>	<b>Models</b>	<b>Allowances</b>		<b>Labor Description</b>	<b>Part Number</b>
C1012010	FEC9T	Labor Time	0.3 hour	Inspect the front leaf spring rear shackles and tighten shackle bolts	N/A
C1012020	FEC9T	Labor Time	0.5 hour	Inspect the front leaf spring rear shackles, replace damaged shackle on one side and tighten shackle bolts on both sides	C10120 Repair One Side
C1012030	FEC9T	Labor Time	0.8 hour	Inspect the front leaf spring rear shackles, replace damaged shackle on both sides and tighten shackle bolts on both sides	C10120 Repair Both Sides

**REPAIR PROCEDURE:**

1. Park the vehicle on a flat, level surface, turn off the engine and chock the wheels.

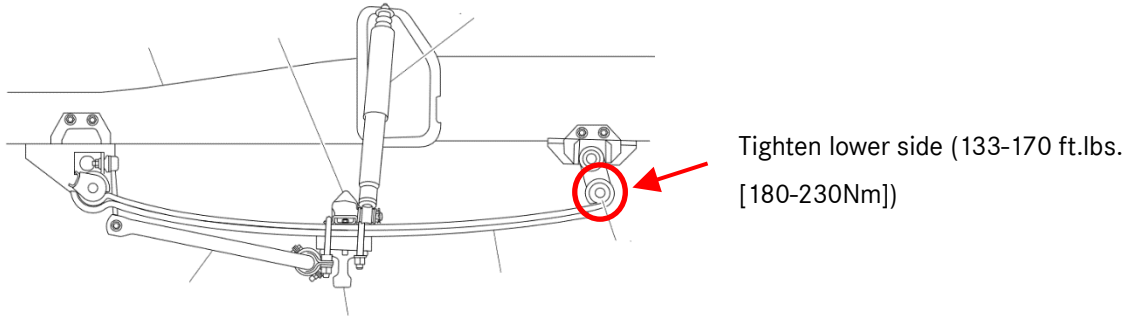
**CAUTION!**

**Do not remove the wheel chocks until all modification work has been completed.**

2. Inspect and repair the leaf spring shackles using instructions found in the Modification Procedure on the next page.

## Modification Procedure

1. Confirm that the front leaf spring rear lower shackle bolt has been tightened to 133-170 ft.lbs. (180-230Nm).



2. If the shackle bolt is loose, inspect the shackle for damage.

Example of damage on shackle



3. If there is damage found on either shackle, replace the Shackle Assy, Shackle plate, Bolt, and Nut per Service Manual instructions and ensure that the lower bolt is tightened to 133-170 ft.lbs. (180-230Nm). Refer to section 33 of the FUSO FE Gas Service Manual.

### Parts list

PART NO.	PART NAME	QTY
ML311583	SHACKLE ASSY,SPRING	1-2
MB025159	PLATE,SHACKLE	1-2
ML311553	BOLT, SPRING	1-2
MH004158	NUT,FLANGE	2-4