

June 17, 2021

Version 2

Safety Recall: 2022 Odyssey Second Row Outer Seats

Supersedes 21-056, dated May 29, 2021. See REVISION SUMMARY.

AFFECTED VEHICLES

Year	Model	Trim	VIN Range
2022	Odyssey	ALL	Check the iN VIN status for eligibility.

REVISION SUMMARY

This bulletin has been fully updated with parts information, warranty claim information, and the repair procedure. American Honda recommends you read this entire service bulletin.

BACKGROUND

The rails of one or both second row outer seats may have been damaged during assembly, causing the seat(s) to remain unlatched. An unlatched seat can move unexpectedly under certain braking conditions, which may lead to injuries.

CUSTOMER NOTIFICATION

Owners of affected vehicles will be sent a notification of this campaign.

Do an iN VIN status inquiry to make sure the vehicle is shown as eligible.

Failure to repair a vehicle subject to a recall or campaign may subject your dealership to claims or lawsuits from the customer or anyone else harmed as a result of such failure. To see if a vehicle in inventory is affected by this safety recall, do a VIN status inquiry before selling it.

CORRECTIVE ACTION

Replace both left and right second row outer seat frames.

CUSTOMER INFORMATION: The information in this bulletin is intended for use only by skilled technicians who have the proper tools, equipment, and training to correctly and safely maintain your vehicle. These procedures should not be attempted by "do-it-yourselfers," and you should not assume this bulletin applies to your vehicle, or that your vehicle has the condition described. To determine whether this information applies, contact an authorized Honda automobile dealer.

PARTS INFORMATION

NOTE:

- Confirm the correct interior color code is ordered by entering the VIN in the parts catalog. Order the corresponding part number listed in the "Order this Part Number" column.
- There are very few affected vehicles and second row outer seat frame inventory is limited. Parts orders should be placed after confirming your dealer has an affected vehicle.

Part Name	Catalog Part Number	Order this Part Number	Quantity
Left Second Row Outer Seat Frame	81702-THR-L02ZA	81702-THR-L01ZA *YR507L*(Shadow Beige)	1
	81702-THR-L02ZB	81702-THR-L01ZB *NH900L*(Deep Black)	
	81702-THR-L02ZC	81702-THR-L01ZC *NH836L*(Wisteria Light Gray)	
	81702-THR-L02ZD	81702-THR-L01ZD *NH781L*(Mocha Gray)	
Right Second Row Outer Seat Frame	81302-THR-L02ZA	81302-THR-L01ZA *YR507L*(Shadow Beige)	1
	81302-THR-L02ZB	81302-THR-L01ZB *NH900L*(Deep Black)	
	81302-THR-L02ZC	81302-THR-L01ZC *NH836L*(Wisteria Light Gray)	
	81302-THR-L02ZD	81302-THR-L01ZD *NH781L*(Mocha Gray)	
Push Nut (4 mm)		82275-SHJ-A01 (2 required per seat)	4

WARRANTY CLAIM INFORMATION

Template ID not included due to various model/trim/color variation.

Operation Number	Description	Flat Rate Time	Defect Code	Symptom Code	Failed Part Number
8531TF	Replace the left and right second row outer seat frame.	3.1 hr.	6SZ00	YBE00	81302-THR-L01ZA

Skill Level: Repair Technician

REPAIR PROCEDURE

NOTE: Remove any child or booster seats that are installed in the second row seats and place them in the cargo area for the customer to reinstall later.

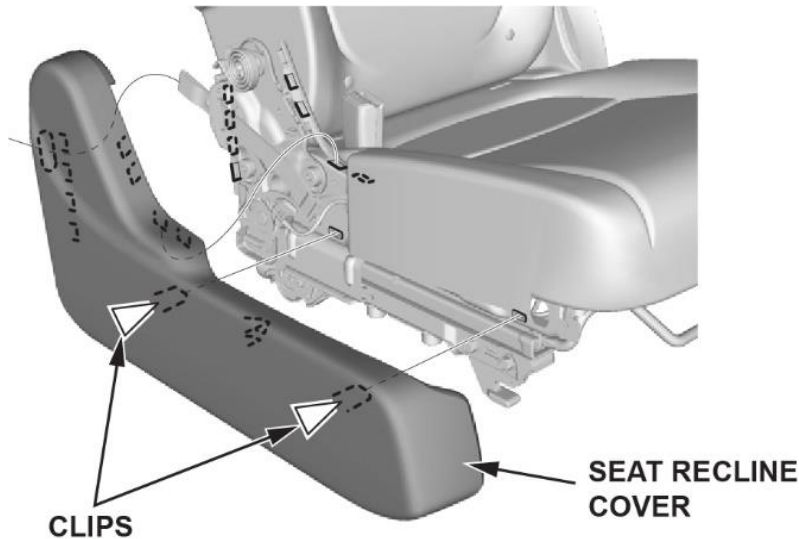
1. Remove the left outer second-row seat from the vehicle.
2. Lift the seat slide adjustment lever, and slide the seat all the way forward. This balances the seat and prevents it from tipping backward when the seat-back is in the upright position.
3. Remove the walk-in level with a KTC trim tool, and remove the seat-back angle adjustment lever with a 1/4" drive extension as shown.

NOTE:

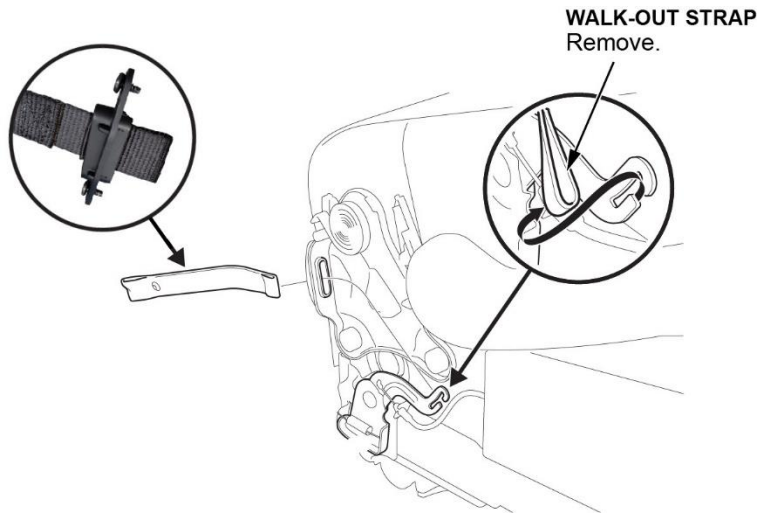
- Use a clean shop towel to make sure the recliner cover and walk-in lever are not damaged.
- Be careful not to lose the clip on the back of the walk-in lever. If the clip is not attached, the handle will not lock when it is installed.



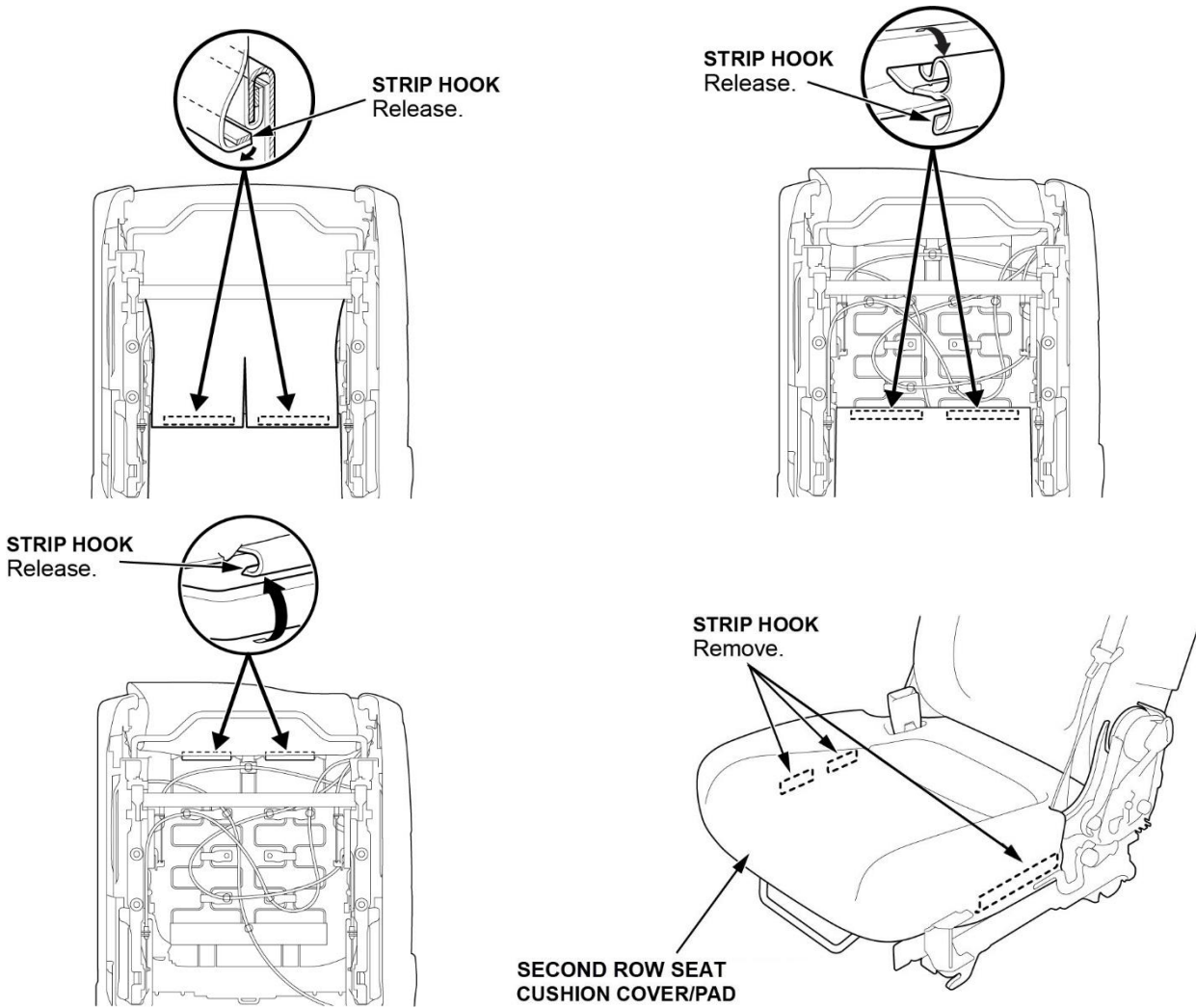
4. Remove the seat recliner cover on the right side.



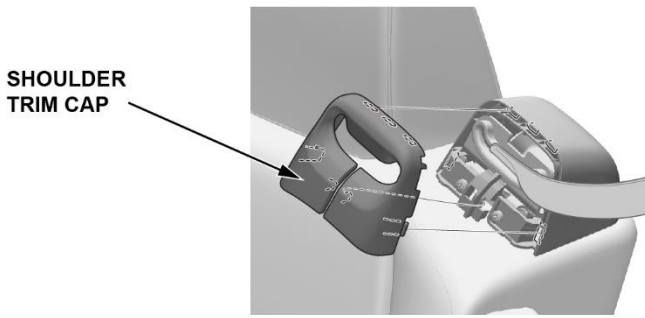
5. Remove the walk-out strap and the plastic guide.



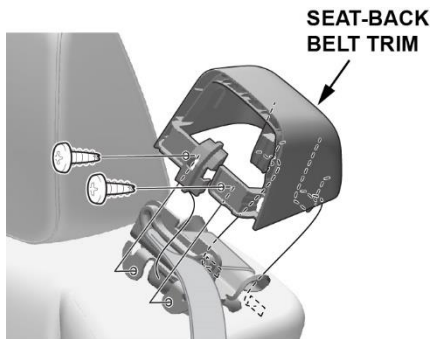
6. Release the strip hooks as shown, then remove the second row seat cushion cover/pad.



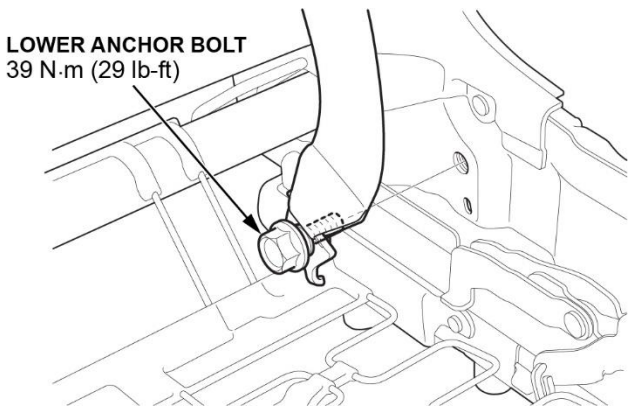
7. Remove the seat-back belt shoulder trim cap.



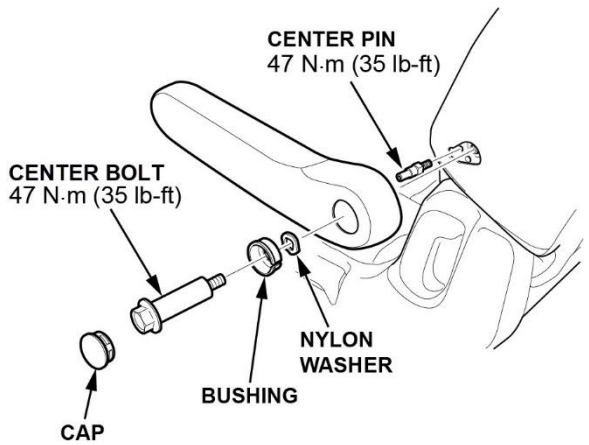
8. Remove the seat-back belt trim.



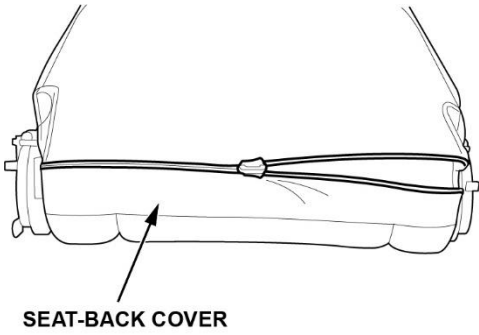
9. Remove the seat belt lower anchor bolt.



10. Remove the left and right armrest and center pin.

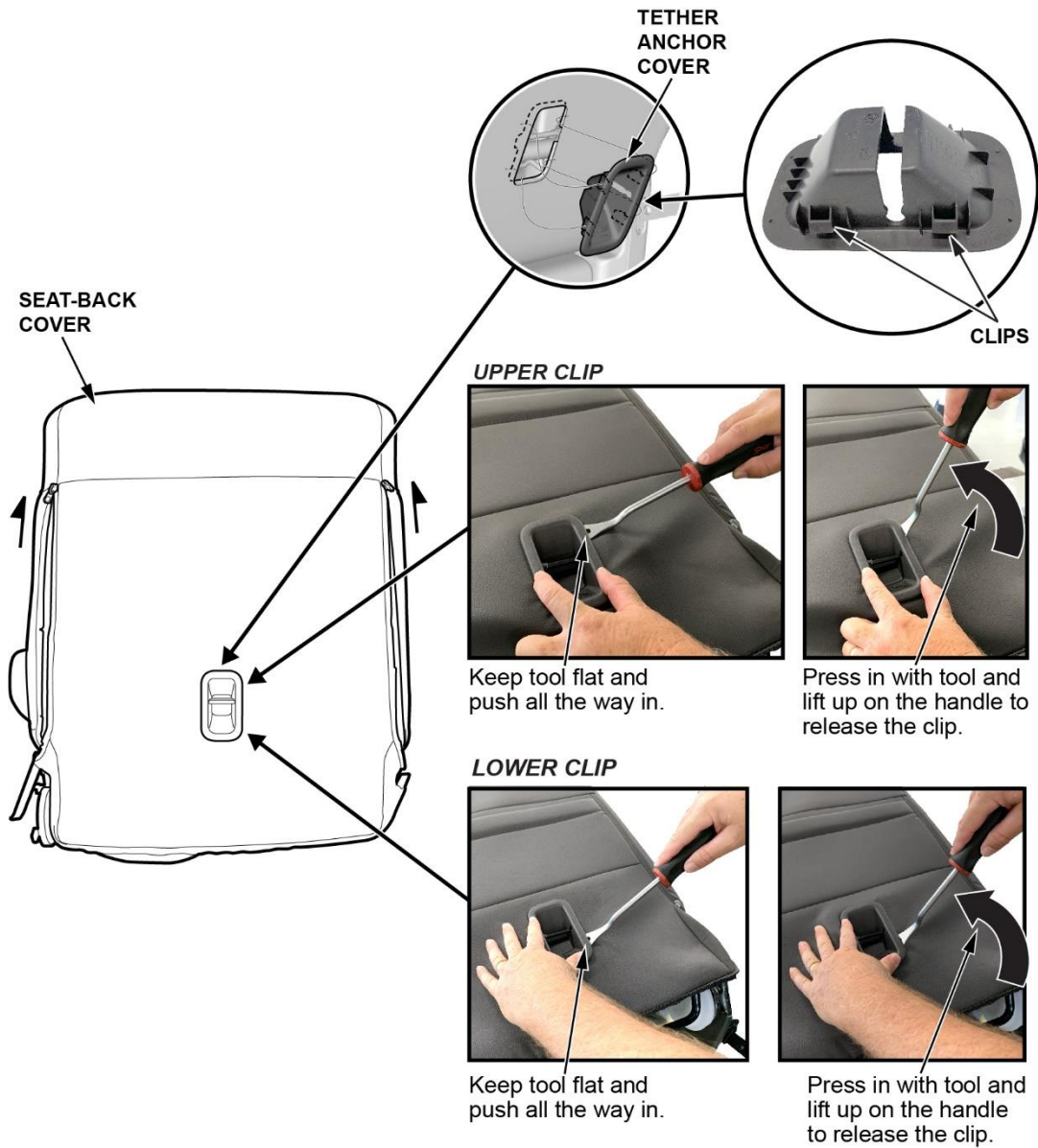


11. Unzip the bottom of the seat-back cover.

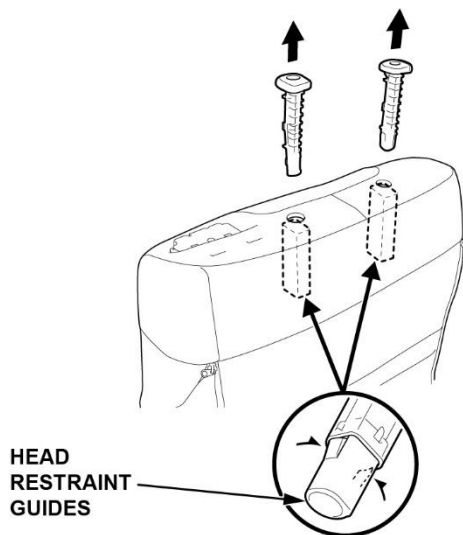


12. Unzip the sides of the seat-back cover and remove the tether anchor cover. Use a clean clip removal tool to apply pressure toward the center of the seat and lift up on the clip removal tool handle as shown.

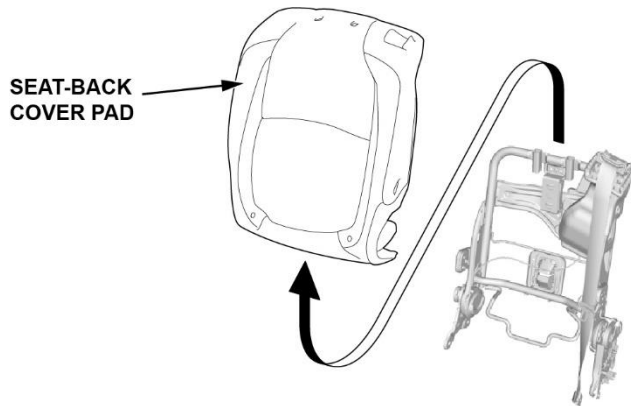
NOTE: Do not push down on the clip removal tool handle.



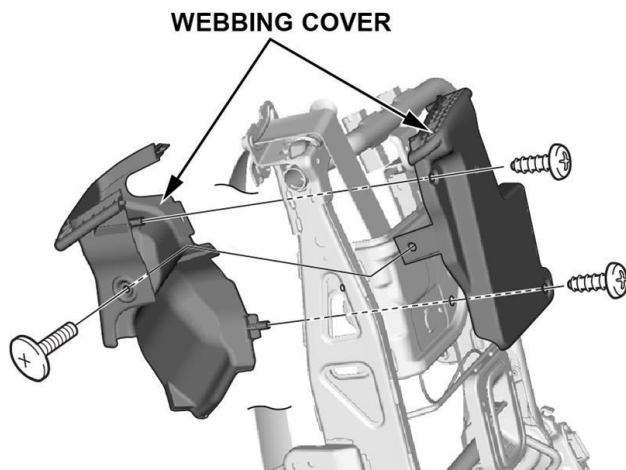
13. Remove the head restraint guides.



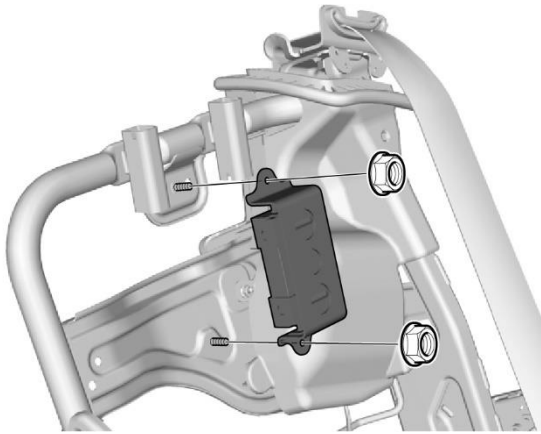
14. Remove the seat-back cover/pad.



15. Remove the webbing cover and install on the new seat frame.



16. Remove the seat-back damper and install on the new seat frame.



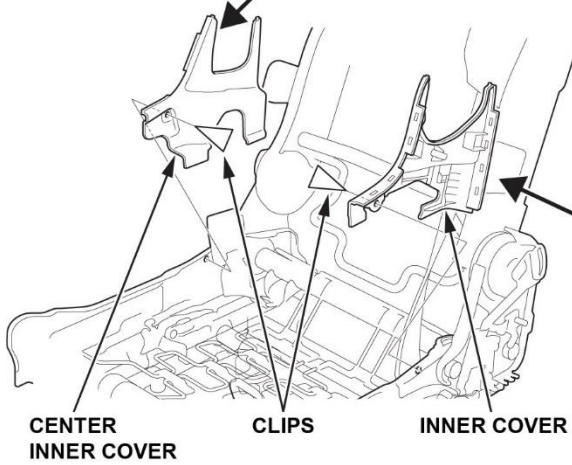
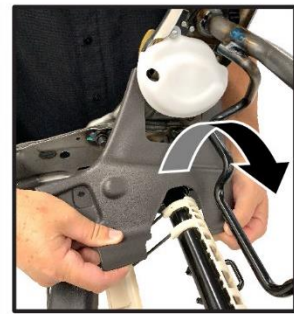
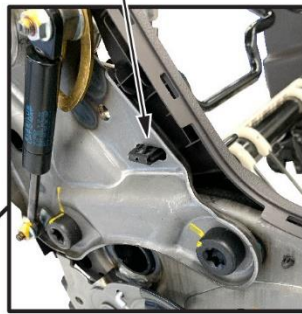
17. Remove the recliner inner cover and center inner cover, and install them on the new seat frame.

CENTER INNER COVER

Release clip from opposite side of cover.

Pull cover up.

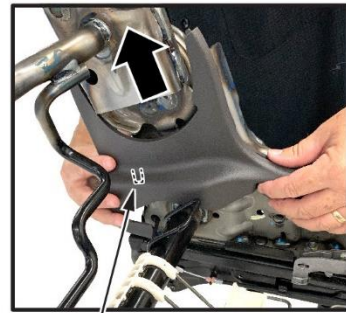
Pull cover out and over crossbar.



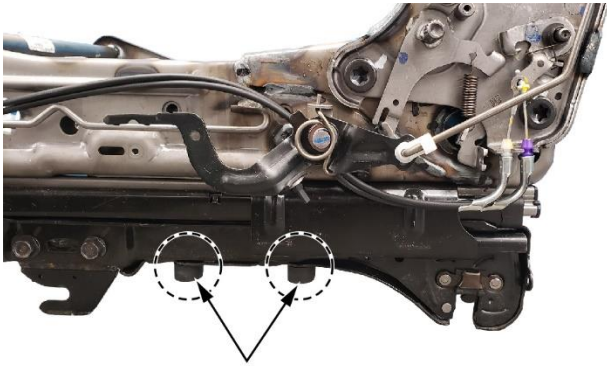
INNER COVER

Tab location on back of cover.

Pull cover up to release tab. Then pull out and over crossbar.

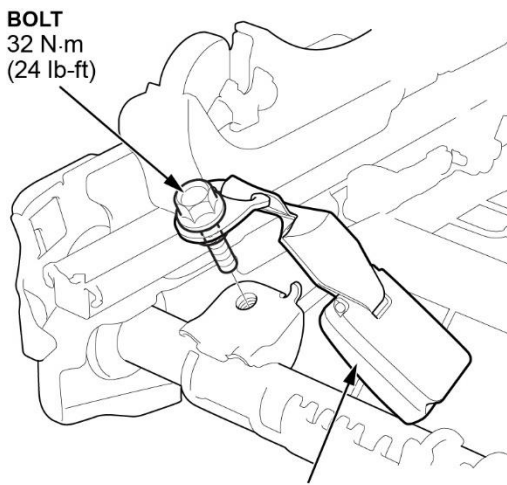


18. Remove the rubber dampers and install them on the new seat frame.



RUBBER DAMPERS
Remove and install
on new frame.

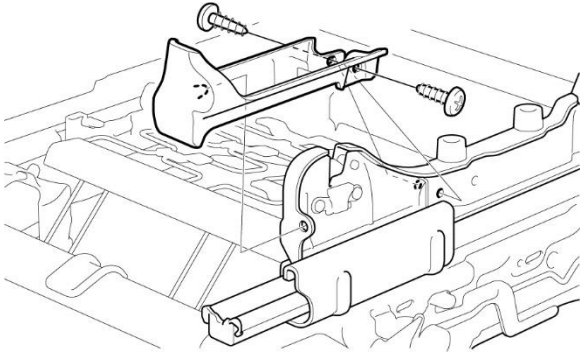
19. Remove the seat belt buckle and install it on the new frame. Torque the bolt to **32 N·m (24 lb-ft)**.



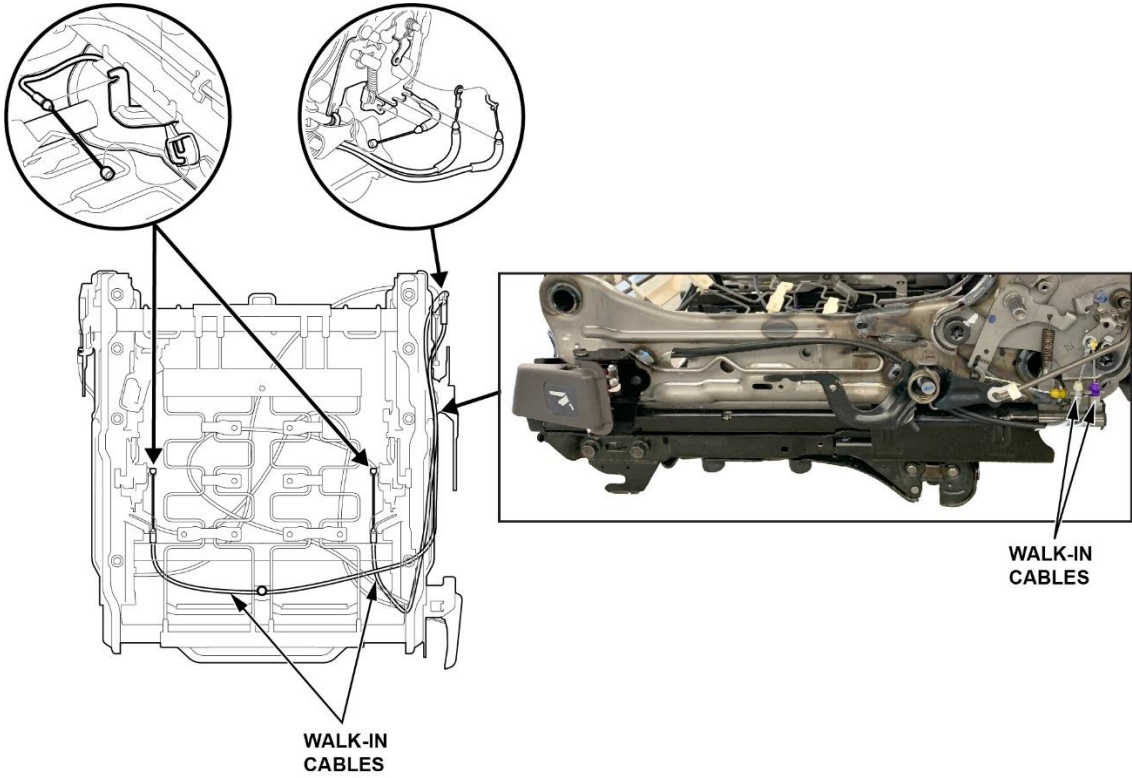
BOLT
32 N·m
(24 lb-ft)

BELT BUCKLE

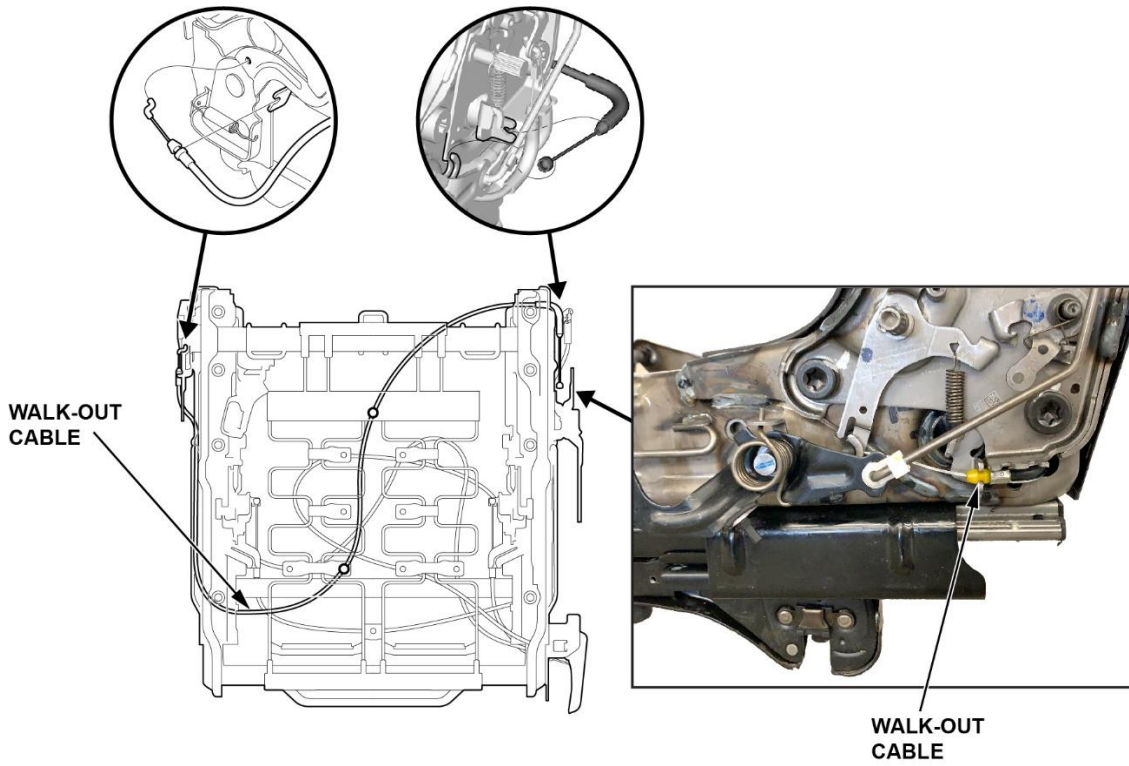
20. Remove the riser covers.



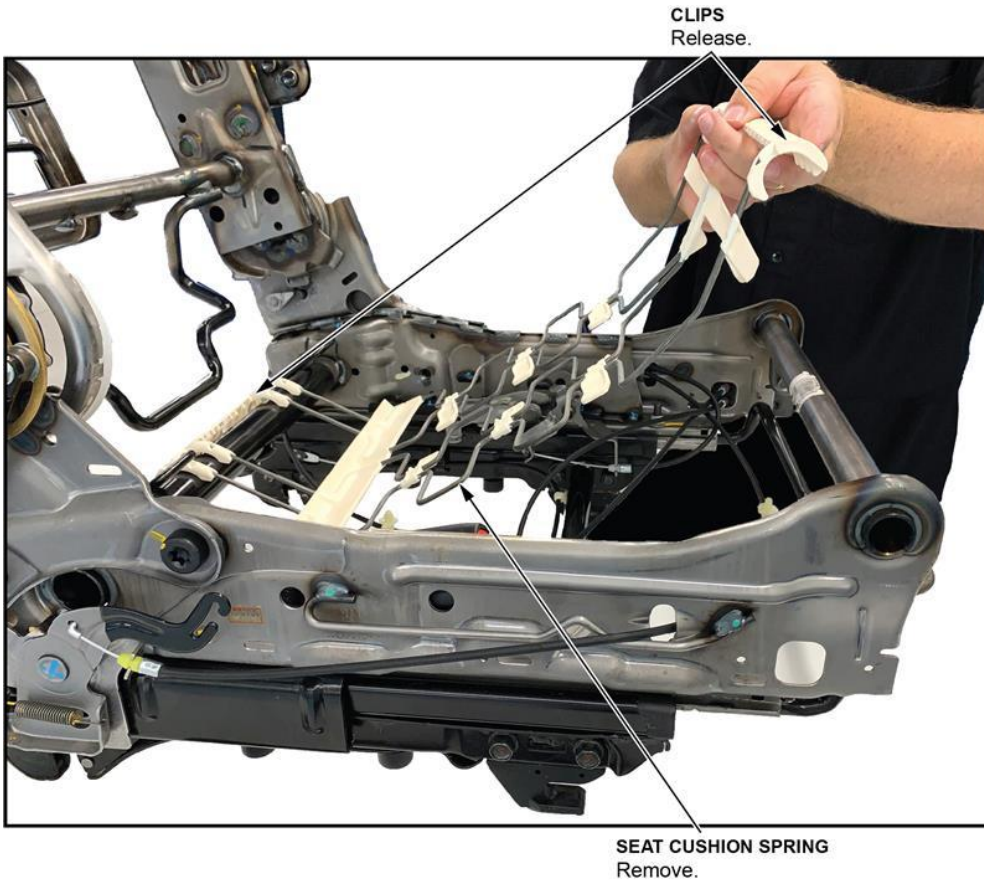
21. Detach the cable clip from the seat cushion spring and remove the walk-in cables.



22. Detach the cable clips from the seat cushion spring and remove the walk-out cable.



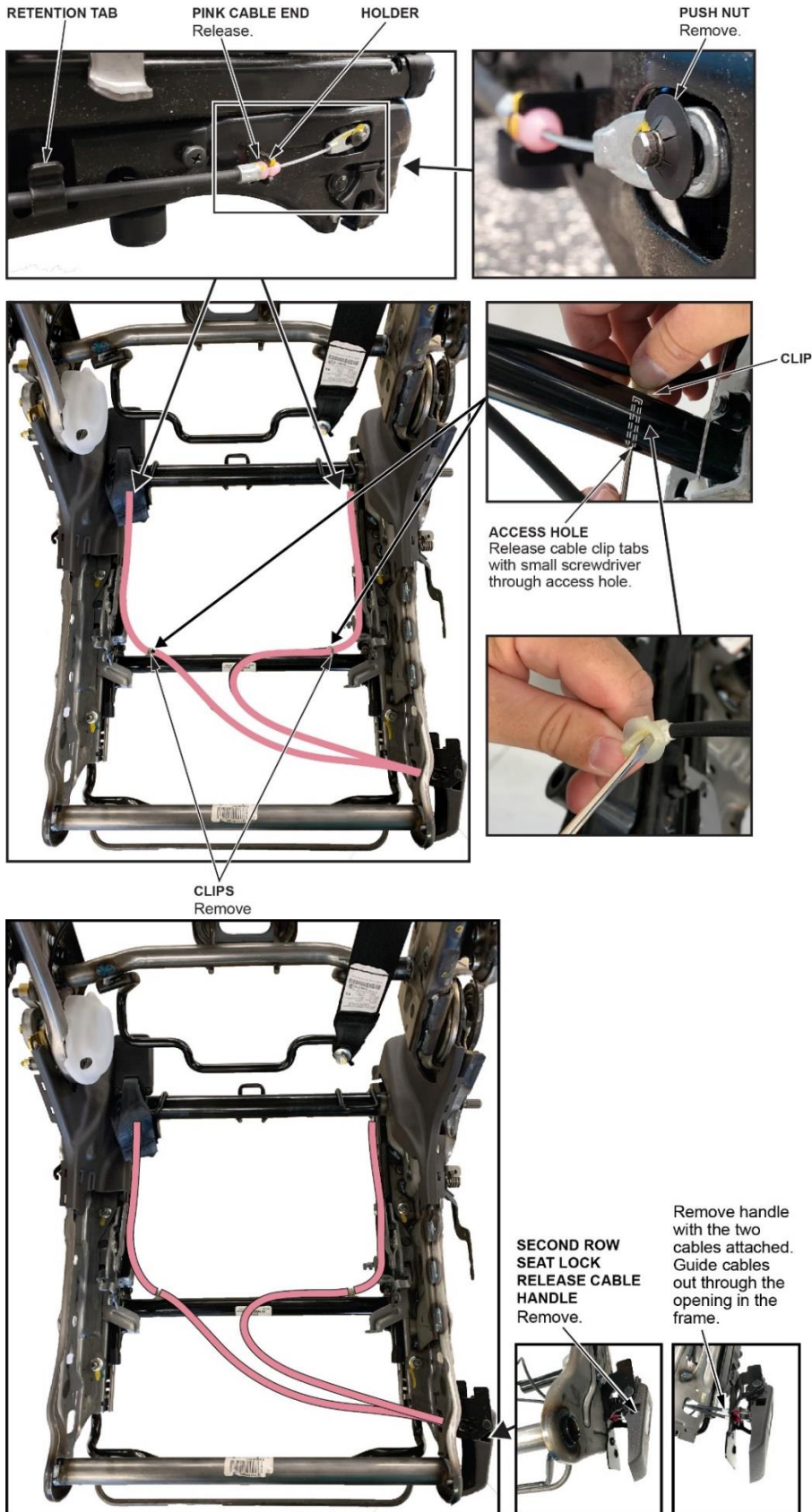
23. Remove the seat cushion spring.



24. Remove the second row seat lock release handle with the cables attached.

NOTE:

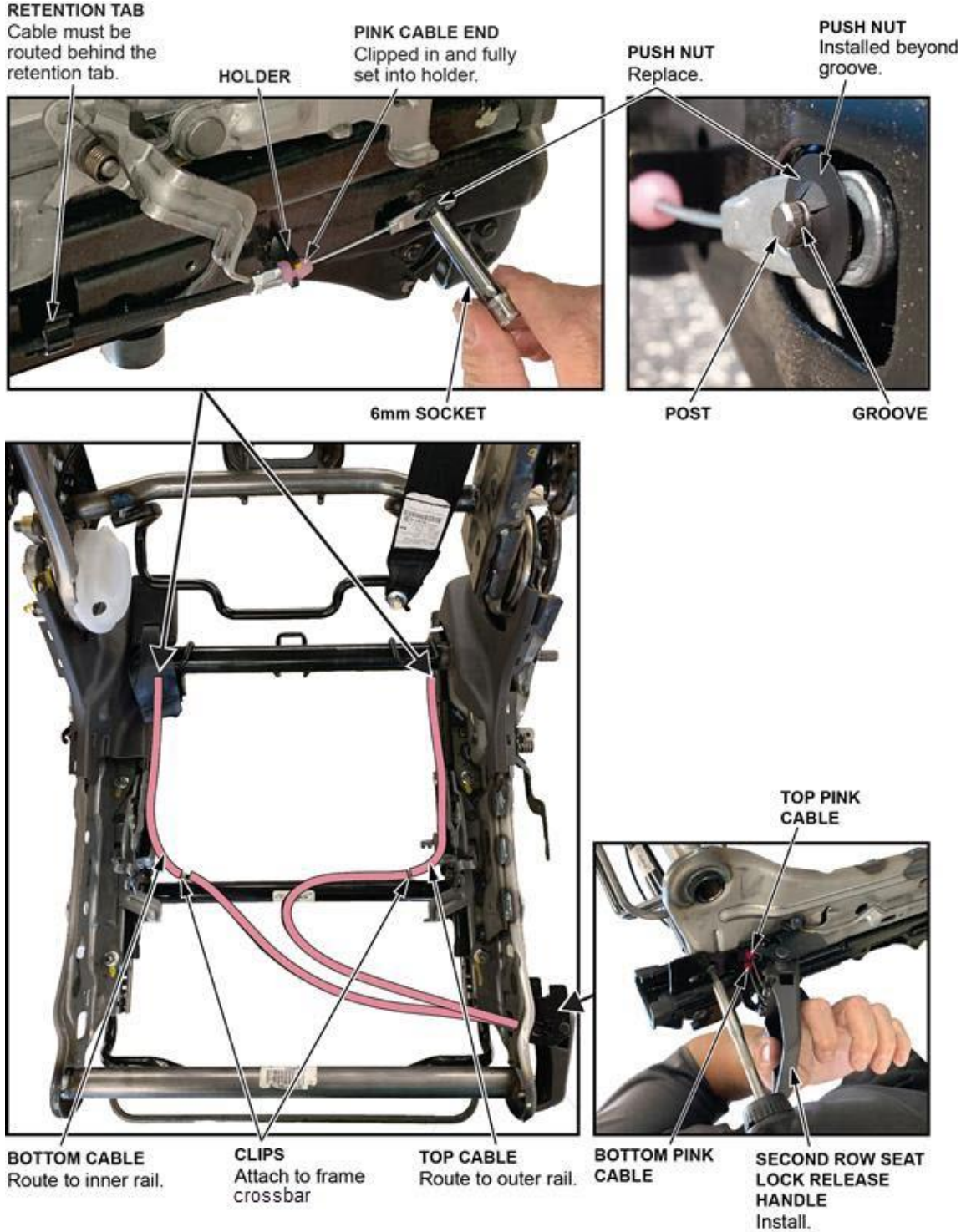
- Make sure not to detach the cables from the release handle.
- Avoid damaging the cable clips by compressing the tabs with a small screwdriver as shown below.



25. Install the release handle on the new seat frame, and route the seat lock release cables (highlighted in pink) as shown. Use a **6 mm** socket to install new push nuts onto the posts and beyond the grooves.

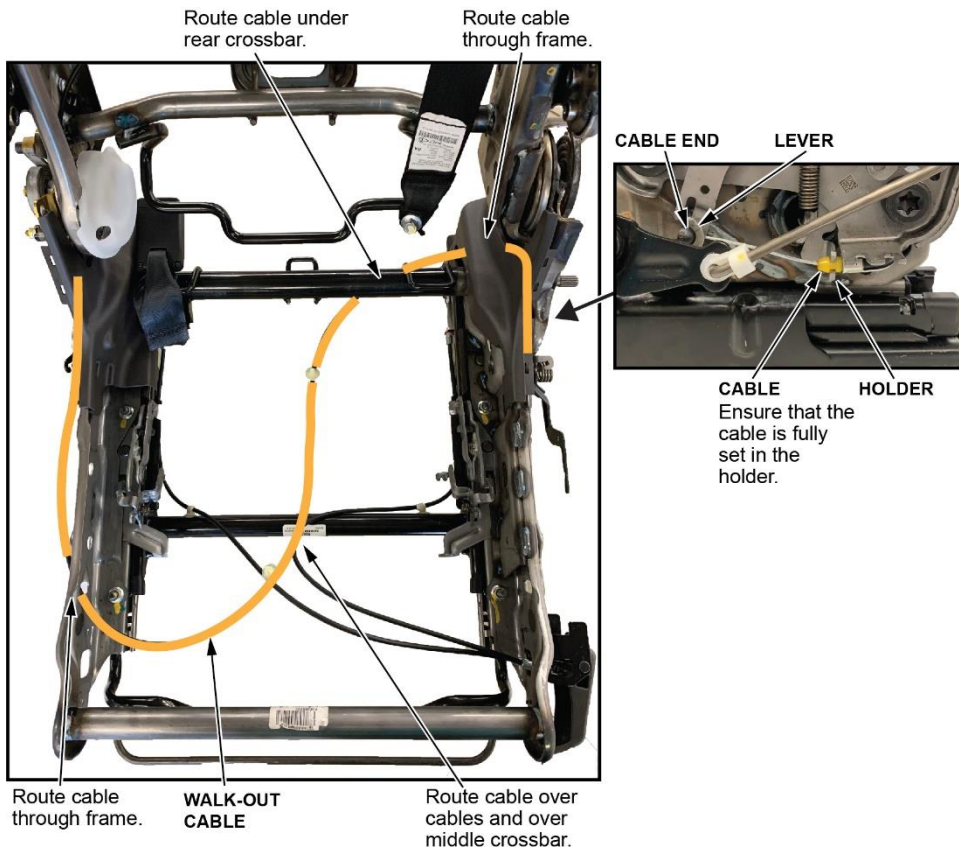
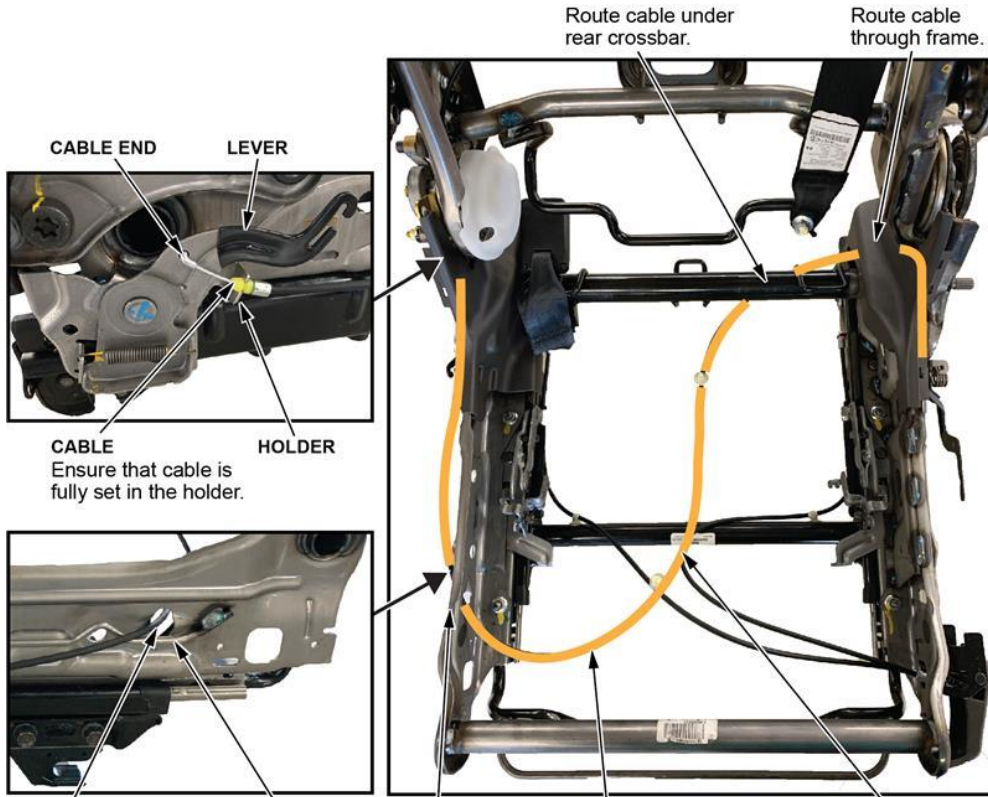
NOTE:

- The push nuts must be installed beyond the groove to ensure they stay firmly attached and will not back off the posts when the cables are cycled.
- It is important to make sure the cables are routed correctly to ensure proper seat function.
- Replace any zip-tie clips (P/N 91540-STK-003) that may have been damaged during removal and install the new part on the white tape mark on the cable.

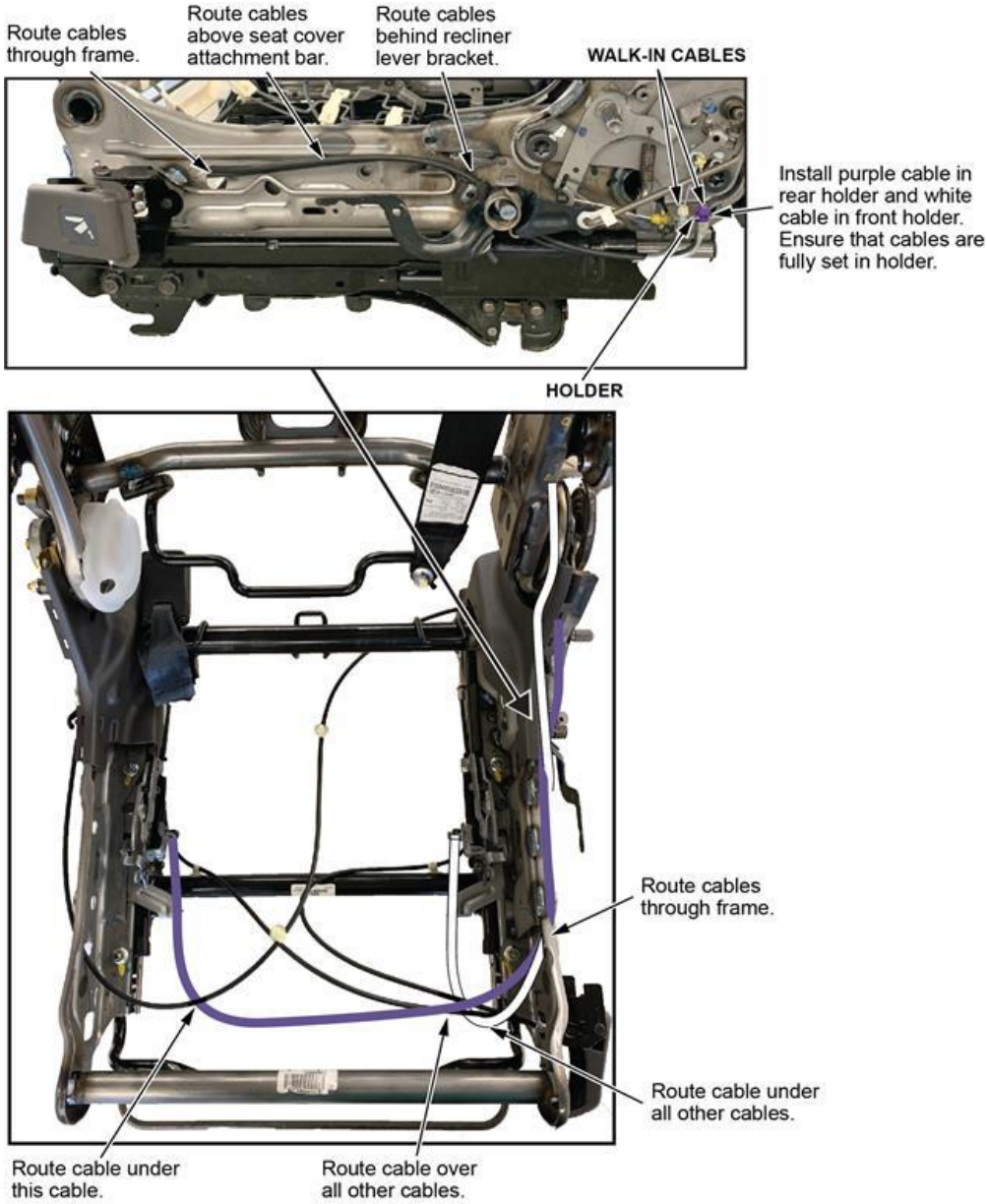


26. Attach the walk-out cable (highlighted in yellow) as shown.

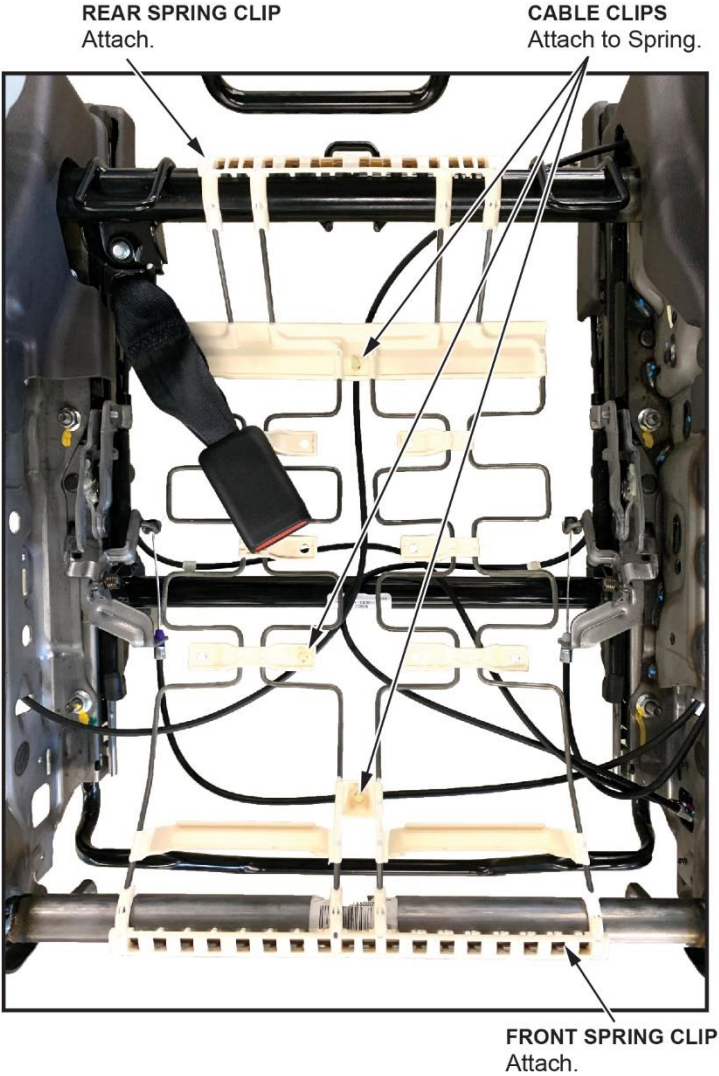
NOTE: It is important to make sure the cables are routed correctly to ensure proper seat function.



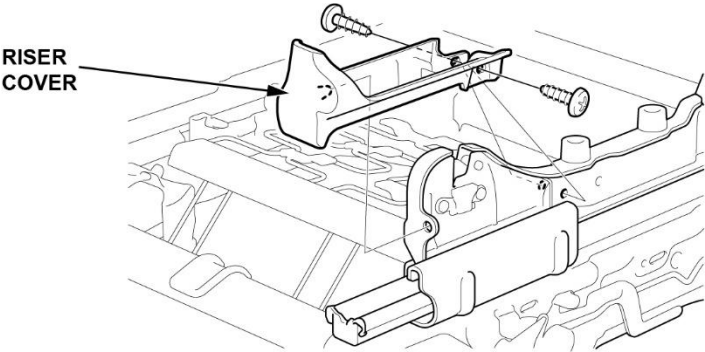
27. Install the walk-in cables (highlighted in purple and white) as shown.



28. Install the seat cushion spring and attach the cable clips as shown.



29. Install the riser covers.



30. Install the seat back cover/pad and related parts in the reverse order of removal.

NOTE: Make sure the seat back cover/pad is installed around the lower bar as shown.

1. Pull flap and cover straight back.



2. Pull flap out and up over the bar.



3. Tuck flap behind the bar.



4. Pull flap out from underneath the bar. The flap should be behind the bar.



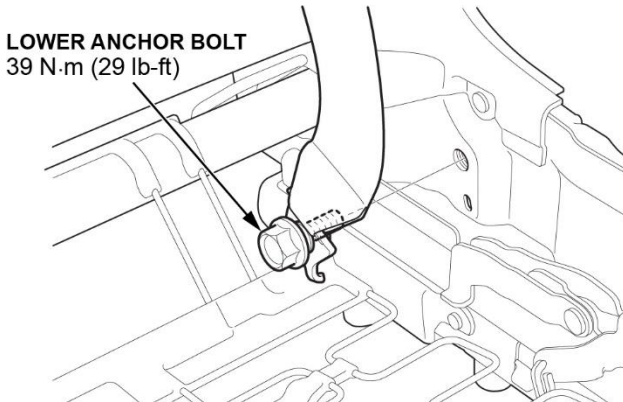
5. Tuck both flap sides and bottom between the yellow foam cushion and the seat cover. Make sure that no yellow cushion is visible through the opening and around the bar.



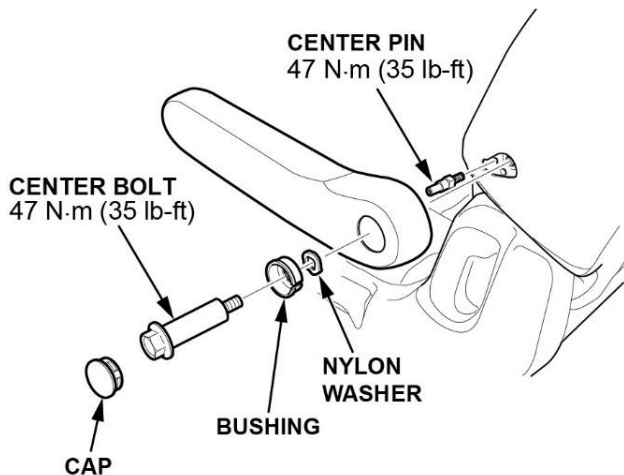
6. Pull the cover bottom up over the cushion and bar, allowing the bar to show through the opening in the cover.



31. Install the seat belt lower anchor bolt and tighten to **39 N-m (29 lb-ft)**.



32. Install the armrests. Tighten the center bolts and pins to **47 N·m (35 lb-ft)**.



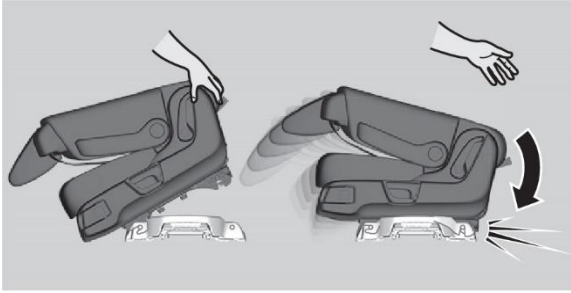
33. Install the seat bottom cover/pad and related parts in the reverse order of removal.

NOTE: Make sure the cables are routed through the cover as shown.



34. Install the seat in the vehicle and confirm all seat operations function correctly.

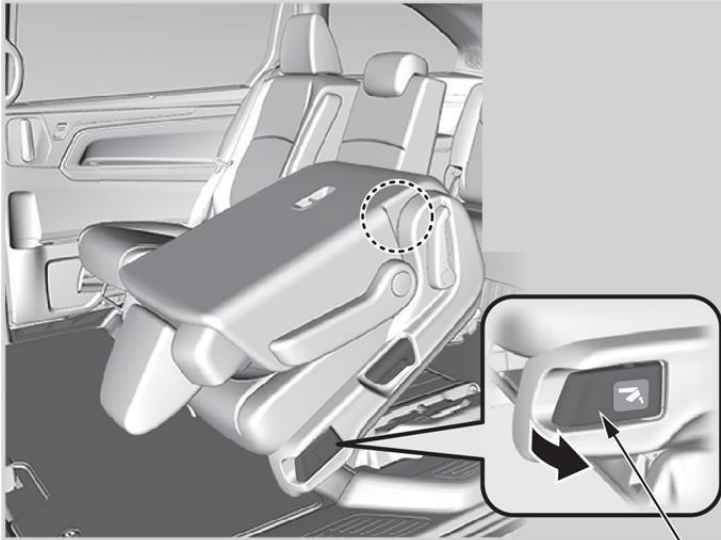
- With the seat-back folded forward, insert the front seat hooks into the front floor strikers.
- After confirming both front hooks are fully inserted into the front strikers, begin to lower the seat, then allow it to drop and lock to the rear floor strikers.



- Raise the seat-back to an upright position, then rock the seat-back and forth to confirm that both the inner and outer latches are securely locked into position.

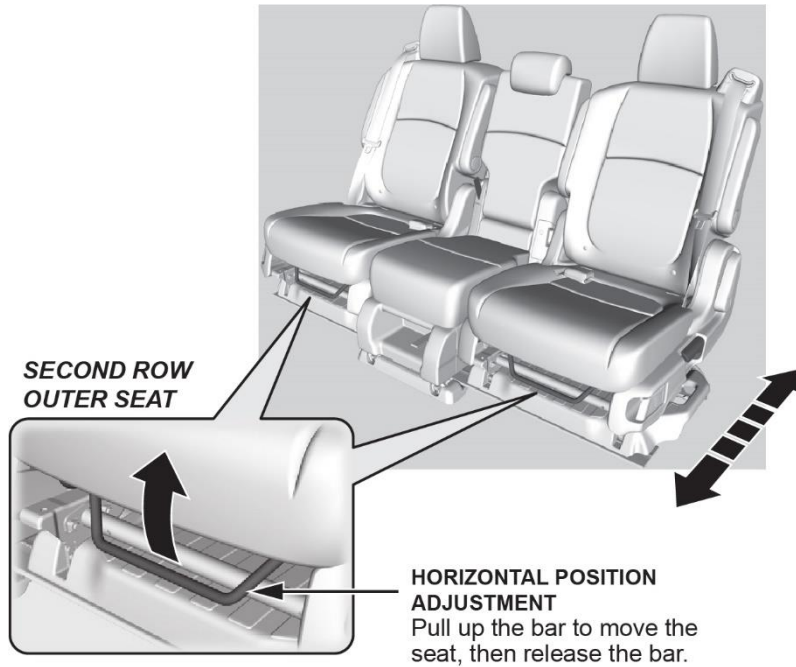


35. Pull the seat lock release lever and confirm that the rear seat latches release from the striker. Repeat step 34 and confirm both inner and outer rear latches are securely locked into position.



LOCK RELEASE LEVER

36. Pull up on the horizontal position adjustment bar, slide the seat all the way forward and release the bar. Push and pull on the seat cushion horizontally and confirm the seat tracks are securely locked into position. Repeat this step in several positions, sliding the seat backward several inches each time. Complete this step with the seat adjusted all the way back.

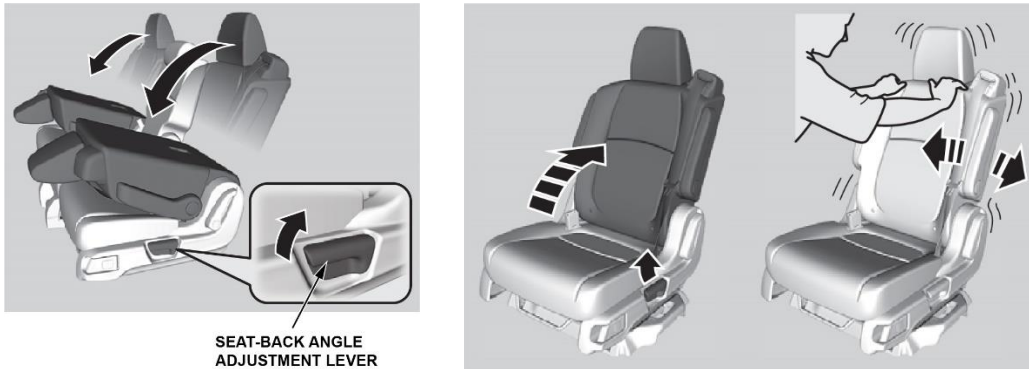


SECOND ROW OUTER SEAT

HORIZONTAL POSITION ADJUSTMENT
Pull up the bar to move the seat, then release the bar.

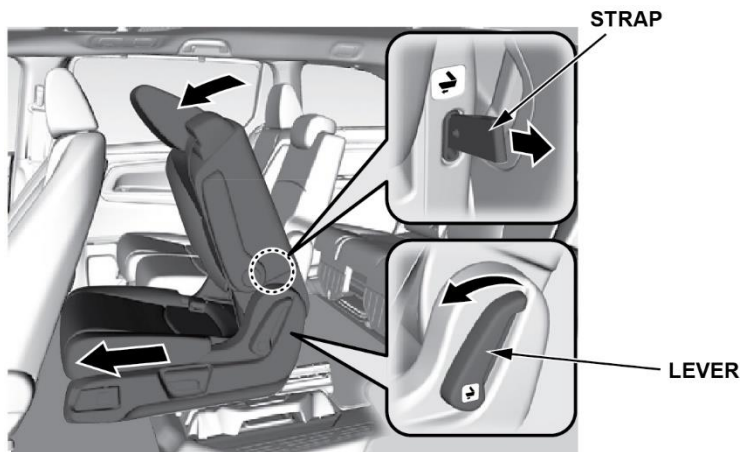
37. Confirm the seat-back angle adjustment lever is operational.

- Pull up the armrest(s).
- Lower the head restraint all the way.
- Slide the seat all the way back.
- Pull the seat-back angle adjustment lever, then fold the seat-back down.
- Pull up the seat-back angle adjustment lever, then fold the seat-back in the upright position. Rock the seat-back back and forth to confirm the seat recliner mechanism is locked into position.



38. Confirm the walk-in lever and walk-out strap are operational.

- Pull forward on the walk-in lever, and confirm the seat-back tilts forward and the whole seat slides forward.
- Firmly push the seat-back rearward, then rock the seat back and forth to ensure that the horizontal adjusters and seat-back are locked into place.
- Pull the walk-out strap and confirm the seat-back tilts forward and the whole seat slides forward, Firmly push the seat-back rearward, then rock the seat back and forth to ensure that the horizontal adjusters and seat-back are locked into place.



39. Perform steps 1 through 38 on the right outer second-row seat.

END