



Volvo Cars Service Business

QB Instruction I10093

Title	Rear Seat display 4 seater	Page:	1 (3)
Action	Remote SW Update	Operation number:	97773-2

Issue	Date	Reason
1	2021-06	First issue

Affected vehicles

Year	Model	Engine	Transmission	Steering	Chassis number
2016-2020	XC90 Excellence	All	All	All	

THE RETAILER MUST SEND IN A TIE VEHICLE REPORT AS FOLLOWS:

A Vehicle Report “Support needed” in TIE with the title Control Panel R10093

In this report the Technical help desk engineer and retailer will **agree on a time and date when to update the Software via Remote Control session.**

A direct phone number should be entered in the TIE case to expedite the process.

Please secure that you have read and understood TJ 8501 to be able to have a successful remote-control session.

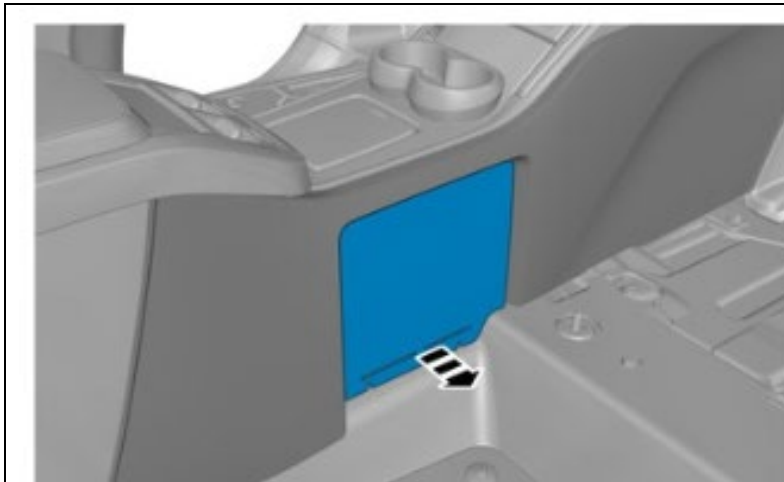
You have to be logged in as ADMIN on the VIDA workstation.

Preparation



- Connect Power Supply to the battery
- Set the car in Active mode, see Vida for more information

Removal

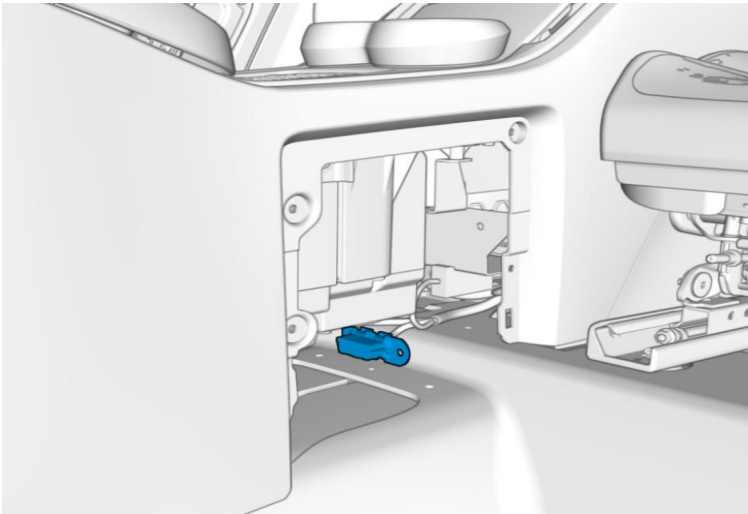


Remove

Caution! Handle the component carefully


- The panel, carefully pull at the bottom and fold away

Installation



- Connect DiCE to rear OBD connector (17/63) inside rear seat center console.
- Make sure the DiCE is connected to the computer **with a USB cable**. (Bluetooth does not work)

Function Control- To be performed after software update by helpdesk



- From the Touch Display Rear Module run front passenger seat to any end position, keep the seat adjustment button pushed for more than 4 seconds, check so the seat stops after 2 seconds. When releasing the button and pushing it again the seat will move again.

(Some functions on the display are "greyed out"/deactivated until car is in usage mode "Driving")

Installation

To install, reverse the removal procedure.