

AMA8 - Reworking Threaded Joints of the Shock Absorbers on the Front and Rear Axles (Stop Delivery/Stop Use/Recall Campaign)

Model Line: **Macan (95B)**

Model Year: **2021**

Concerns: **Shock absorbers on front and/or rear axle**

Information: **Due to a failure in the software of the screwdriver in vehicle production, the screw connection may not be tightened according to the specification.**

As a result, the durability of the relevant threaded connections cannot be guaranteed.

Action required: Replace the affected fastening screws and tighten them according to specifications. On vehicles on which the front axle is affected, also replace the bearing brackets.



Information

Every vehicle is assigned just **one campaign scope**.

To find out which scope is assigned to the vehicle, see PCSS Vehicle Information.

A simplified overview of the scopes is provided in the table below.

Scope	Affected area				Chassis		
	Front axle	Rear axle	Left	Right	Air suspension (M-no. 1BK)	PASM (M-no. 1BH)	Standard suspension (M-no. 1BA)
1	x		x		x		
2	x			x	x		
3	x		x			x	
4	x			x		x	
5	x		x				x
6	x			x			x
7		x	x				
8		x		x			
9	x		x	x	x		

10	x		x	x		x	
11	x		x	x			x
12		x	x	x			
13	x		x			x	
		x		x			
14	x			x		x	
		x	x				
15	x			x			x
		x	x				
16*	x		x		x		
17*	x			x	x		
18*	x		x			x	
19*	x			x		x	
20*	x		x				x
21*	x			x			x
22*	x		x	x			x

* Vehicles with adaptive cruise control (M-no. 8T3)

The steps described here must be carried out **depending on which scope is assigned to the vehicle**. For scopes involving **both axles**, the required work from **both** sections must be carried out.

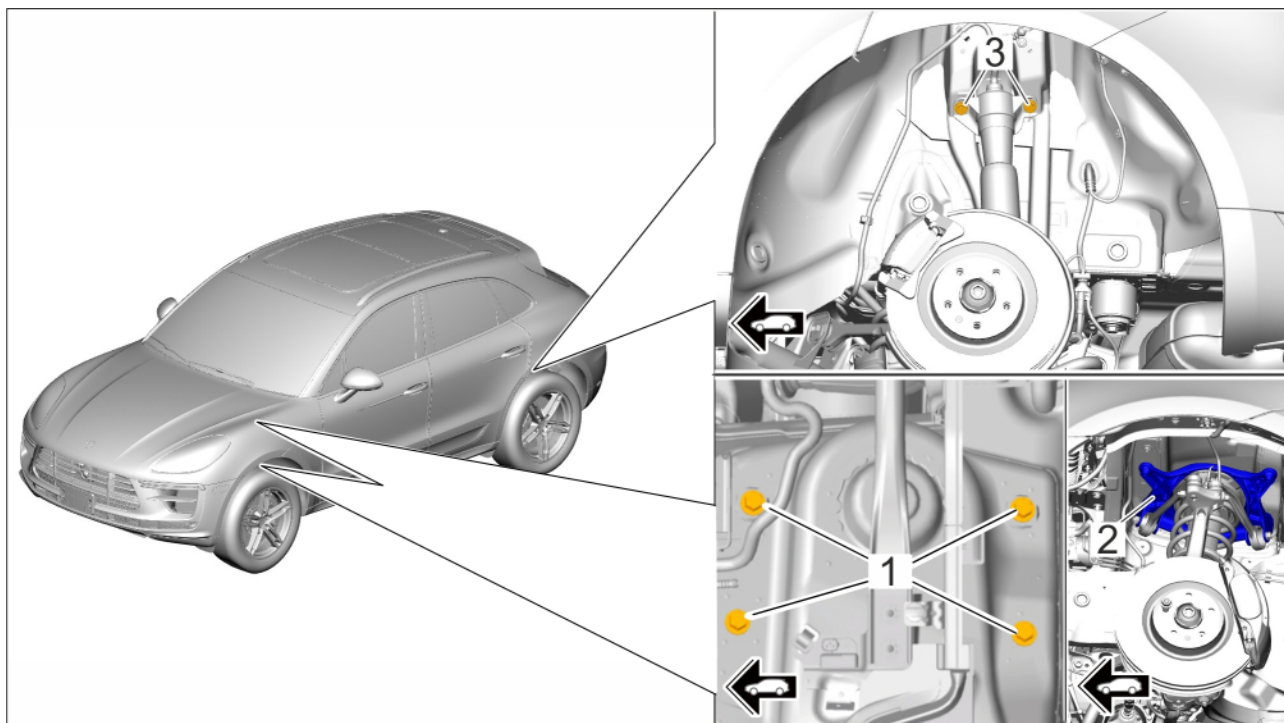
- For work on the **front axle**, see section: ⇒ *Technical Information 'Reworking threaded joints of the shock absorbers on the front axle at the left and/or right and replacing bearing bracket'*
- For work on the **rear axle**, see section: ⇒ *Technical Information 'Reworking threaded joints of the shock absorbers on the rear axle at the left and/or right'*

Affected
Vehicles:

Only vehicles assigned to the campaign (see also PCSS Vehicle Information). This campaign affects 10 vehicles.

Installation

Position:



Installation position of spring strut screws

- 1 – Fastening screws for front left and/or right spring strut (**replace**)
- 2 – Bearing bracket for front left and/or right spring strut (**replace**)
- 3 – Fastening screws for rear left and/or right spring strut (**replace**)

Required tools

- Tools:
- Torque wrench, 2–10 Nm (1.5–7.5 ftlb.), e.g. **VAG 1783 Torque wrench, 2-10 Nm (1.5-7.5 ftlb.)**
 - Torque wrench, 20–100 Nm (15–74 ftlb.), e.g. **VAS 5820 Torque wrench, 20-100 Nm (15-74 ftlb.)**
 - Torque wrench, 40–200 Nm (30–148 ftlb.), e.g. **VAG 1332 Torque wrench, 40-200 Nm (30-148 ftlb.)**
 - **9900 - PIWIS Tester 3**
 - Battery charger with a current rating of **at least 90 A**, e.g. **VAS 5908 Battery charger 90A**
 - **VAS 6161 - Battery tester**
 - **3353 - 3353 - Socket-wrench insert**
 - **VAS 6908 - Stationary spring tensioning device**
 - **T10149 - T10149 - Support**
 - **VAS 6931 - Engine and gearbox jack**
 - **3424 - 3424 - Spreader**
 - **T40010A - T40010A - Ball-joint extractor**

- **VAS 6935 - Pole terminal puller**
- **VAS 6931 - Engine and gearbox jack**

Also required for bleeding and filling the levelling system – air suspension system (M-no. 1BK):

- **9825 - 9825 - Adapter**
- **9825/1 - 9825/1 - Connecting line**
- **VAS 6629A - Nitrogen filler set for air-spring struts**
- Valve screwdriver (commercially available tool)

Also required for suspension alignment:

- **9229/1 - 9229/1 - Puller hook**
- **VAS 6918 - Quick-clamping unit**
- **VAS 6826 - Steering wheel balance**

Also required for adjusting the distance measuring sensor:

- **VAS 6430/1A - Adjustment device with reflector**
- **VAS 6430/3 - Mirror for adjustment device**

Also required for calibrating front camera:

- **VAS 6350/2A - Spacing laser**
- **VAS 6350A - Calibration unit**
- **VAS 6430/4 - Calibration board for Lane Keep Assist**

Parts required

- **Front axle**
- **Vehicles with air suspension (M-no. 1BK)**

Parts Info:

Part No.	Designation – Use	Qty.
95B412383	⇒ Left bearing bracket – Front-axle spring strut	1 ea.
and/or (depending on scope)		
95B412384	⇒ Right bearing bracket – Front-axle spring strut	1 ea.
Additional parts required:		
N 91066101	⇒ Hexagon-head bolt, M10 x 35 – Bearing bracket	4 ea.

N 10784702	⇒ Hexagon flange bolt, M12 x 1.5 x 85 – Shock absorber fork to spring strut/lower trailing arm	2 ea.
N 10106402	⇒ Hexagon collar nut, self-locking, M12 x 1.5 – Shock absorber fork to spring strut/lower trailing arm	2 ea.
N 10680201	⇒ Hex flange bolt with multiple-tooth head, M10 x 75 – Connecting link to anti-roll bar	1 ea.
WHT004593	⇒ Double-hex collar nut, self-locking, M12 x 1.5 – Tie-rod end to wheel bearing housing	1 ea.
PAF104253	⇒ Hex flange bolt, M10 x 62 x 45 – Upper trailing arm	2 ea.
PAF102861	⇒ Hexagon collar nut, self-locking, M10 – Upper trailing arm	2 ea.
PAF911561	⇒ Hexagon-head bolt, M12 x 1.5 x 100 – For securing front-axle carrier	8 ea.
95B615447C	⇒ Air guide plate, left – Tie rod	1 ea.
95B615448C	⇒ Air guide plate, right – Tie rod	1 ea.
95B699011C	⇒ Air line clamp – Tie rod	2 ea.

Parts required

- **Front axle**
- **Vehicles with PASM (M-no. 1BH)**

Parts Info:

Part No.	Designation – Use	Qty.
95B412383	⇒ Left bearing bracket – Front-axle spring strut	1 ea.
and/or (depending on scope)		
95B412384	⇒ Right bearing bracket – Front-axle spring strut	1 ea.

Additional parts required:

N 91066101	⇒ Hexagon-head bolt, M10 x 35 – Bearing bracket	4 ea.
N 10106402	⇒ Hexagon collar nut, self-locking, M12 x 1.5 – Shock absorber fork to spring strut	1 ea.
N 10421304	⇒ Hexagon-head bolt, M12 x 1.5 x 80 – Shock absorber fork to spring strut	1 ea.
PAF104029	⇒ Hexagon collar nut, M12 x 1.5 – Shock absorber fork to lower trailing arm	1 ea.
N 10628301	⇒ Hex flange bolt, M12 x 1.5 x 90 – Shock absorber fork to lower trailing arm	1 ea.
N 10680201	⇒ Hex flange bolt with multiple-tooth head, M10 x 75 – Connecting link to anti-roll bar	1 ea.
WHT004593	⇒ Double-hex collar nut, self-locking, M12 x 1.5 – Tie-rod end to wheel bearing housing	1 ea.
PAF104253	⇒ Hex flange bolt, M10 x 62 x 45 – Upper trailing arm	2 ea.
PAF102861	⇒ Hexagon collar nut, self-locking, M10 – Upper trailing arm	2 ea.
PAF911561	⇒ Hexagon-head bolt, M12 x 1.5 x 100 – For securing front-axle carrier	8 ea.
95B615447C	⇒ Air guide plate, left – Tie rod	1 ea.
95B615448C	⇒ Air guide plate, right – Tie rod	1 ea.
95B699011C	⇒ Air line clamp – Tie rod	2 ea.

Parts required

- **Front axle**
- **Vehicles with standard suspension (M-no. 1BA)**

Parts Info:

Part No.	Designation – Use	Qty.
8R0412391A	⇒ Left bearing bracket – Front-axle spring strut	1 ea.

and/or (depending on scope)

8R0412392A	⇒ Right bearing bracket – Front-axle spring strut	1 ea.
------------	--	-------

Additional parts required:

N 91066101	⇒ Hexagon-head bolt, M10 x 35 – Bearing bracket	4 ea.
N 10106402	⇒ Hexagon collar nut, self-locking, M12 x 1.5 – Shock absorber fork to spring strut	1 ea.
N 10421304	⇒ Hexagon-head bolt, M12 x 1.5 x 80 – Shock absorber fork to spring strut	1 ea.
PAF104029	⇒ Hexagon collar nut, M12 x 1.5 – Shock absorber fork to lower trailing arm	1 ea.
N 10628301	⇒ Hex flange bolt, M12 x 1.5 x 90 – Shock absorber fork to lower trailing arm	1 ea.
N 10680201	⇒ Hex flange bolt with multiple-tooth head, M10 x 75 – Connecting link to anti-roll bar	1 ea.
WHT004593	⇒ Double-hex collar nut, self-locking, M12 x 1.5 – Tie-rod end to wheel bearing housing	1 ea.
PAF104253	⇒ Hex flange bolt, M10 x 62 x 45 – Upper trailing arm	2 ea.
PAF102861	⇒ Hexagon collar nut, self-locking, M10 – Upper trailing arm	2 ea.
PAF911561	⇒ Hexagon-head bolt, M12 x 1.5 x 100 – For securing front-axle carrier	8 ea.
95B615447C	⇒ Air guide plate, left – Tie rod	1 ea.

95B615448C	⇒ Air guide plate, right – Tie rod	1 ea.
95B699011C	⇒ Air line clamp – Tie rod	2 ea.

Parts required

- **Rear axle**

Parts Info:

Part No.	Designation – Use	Qty.
N 91066101	⇒ Hexagon-head bolt, M10 x 35 – For securing rear shock absorber	Up to 4 ea. (2 required on each side)

Reworking threaded joints of the shock absorbers on the front axle at the left and/or right and replacing bearing bracket

- Work Procedure: 1 Move the vehicle onto a lifting platform, but do not raise it yet.
- 2 Remove wiper arms. ⇒ *Workshop Manual '922519 Removing and installing wiper arm'*
- 3 Remove cowl panel cover. ⇒ *Workshop Manual '508719 Removing and installing cowl panel cover'*
- 4 Raise the vehicle. ⇒ *Workshop Manual '4X00IN Lifting the vehicle'*
- 5 **Only for vehicles with air suspension (M-no. 1BK):** Release air from the levelling system. ⇒ *Workshop Manual '430117 Bleeding and filling the levelling system'*
- 6 Remove wheel. ⇒ *Workshop Manual '440519 Removing and installing wheel'*
- 7 Remove front wheel housing liner. ⇒ *Workshop Manual '505619 Removing and installing front wheel housing liner'*
- 8 Remove shock absorber fork. ⇒ *Workshop Manual '408919 Removing and installing shock absorber forks'*

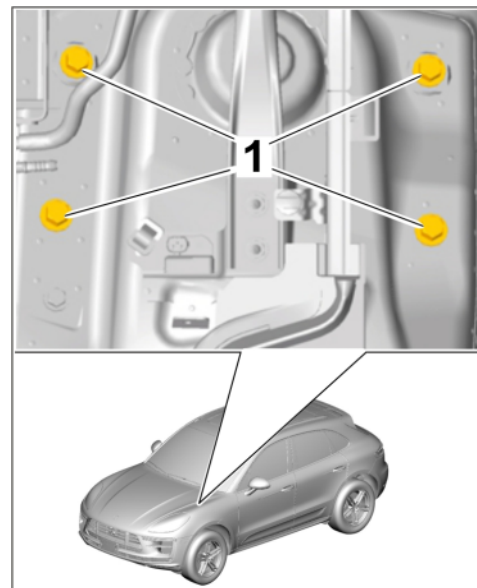
- 9 Remove front spring strut and **dispose of the removed fastening screws** used to secure the bearing bracket to the body ⇒ *Fastening screws securing bearing bracket to body -1-immediately*. For instructions, see:

Vehicles with **standard suspension (M-no. 1BA)** or **PASM (M-no. 1BH)**

⇒ *Workshop Manual '408519 Removing and installing front spring strut'*

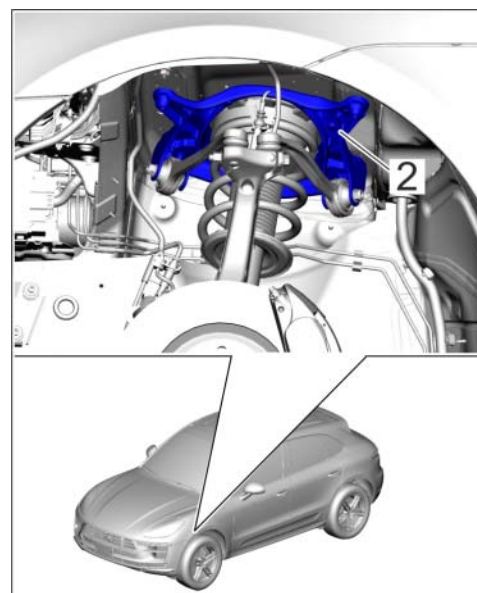
Vehicles with **air suspension (M-no. 1BK)**

⇒ *Workshop Manual '433019 Removing and installing front air-spring strut'*



Fastening screws securing bearing bracket to body

- 10 Replace bearing bracket ⇒ *Bearing bracket -2-*. For instructions, see:
 ⇒ *Workshop Manual '408537 Disassembling and assembling front spring strut'*



Bearing bracket

- 11 Install spring strut and use new fastening screws and nuts in accordance with the specifications in the Workshop Manuals. When doing this, **make sure** to secure the bearing bracket to the body ⇒ *Fastening screws securing bearing bracket to body -1- using new fastening screws.*

For instructions, see:

Vehicles with **standard suspension (M-no. 1BA)** or **PASM (M-no. 1BH)**

⇒ *Workshop Manual '408519 Removing and installing front spring strut'*

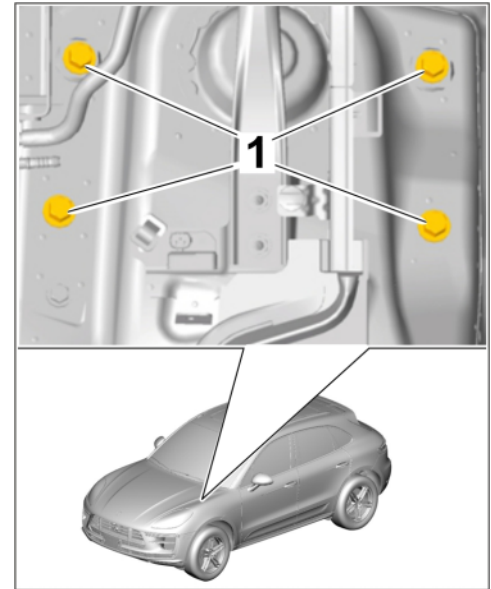
Vehicles with **air suspension (M-no. 1BK)**

⇒ *Workshop Manual '433019 Removing and installing front air-spring strut'*



Information

Threaded joints must only be tightened in zero position to prevent warping in the bearings.



Fastening screws securing bearing bracket to body

- 12 Install shock absorber fork. ⇒ *Workshop Manual '408919 Removing and installing shock absorber forks'*
- 13 Install front wheel housing liner. ⇒ *Workshop Manual '505619 Removing and installing front wheel housing liner'*
- 14 Install wheel. ⇒ *Workshop Manual '440519 Removing and installing wheel'*
- 15 **Only for vehicles with air suspension (M-no. 1BK):** Fill the levelling system. ⇒ *Workshop Manual '430117 Bleeding and filling the levelling system'*
- 16 Lower the vehicle and install cowl panel cover. ⇒ *Workshop Manual '508719 Removing and installing cowl panel cover'*
- 17 Install wiper arms. ⇒ *Workshop Manual '922519 Removing and installing wiper arm'*
- 18 Perform suspension alignment and make adjustments if necessary. ⇒ *Workshop Manual '449503 Performing front + rear suspension alignment'*
- 19 Calibrate front camera. ⇒ *Workshop Manual '963825 Calibrating front camera'*
- 20 **Only for vehicles with adaptive cruise control (M-no. 8T3):** Adjust control unit for distance measuring sensor. ⇒ *Workshop Manual '278515 Adjusting control unit for distance measuring sensor'*

For vehicles assigned to Scope 13, 14 or 15, continue with ⇒ *Technical Information '278515 Reworking threaded joints of the shock absorbers on the rear axle at the left and/or right'*

- 21 Enter the campaign in the Warranty and Maintenance booklet. For warranty processing, see ⇒ *Technical Information '278515 Warranty processing'*

Reworking threaded joints of the shock absorbers on the rear axle at the left and/or right

Work Procedure: 1 Move the vehicle onto a lifting platform and raise it. ⇒ *Workshop Manual '4X00IN Lifting the vehicle'*

2 Remove wheel. ⇒ *Workshop Manual '440519 Removing and installing wheel'*

3 Remove rear wheel housing liner. ⇒ *Workshop Manual '536919 Removing and installing rear wheel housing liner'*

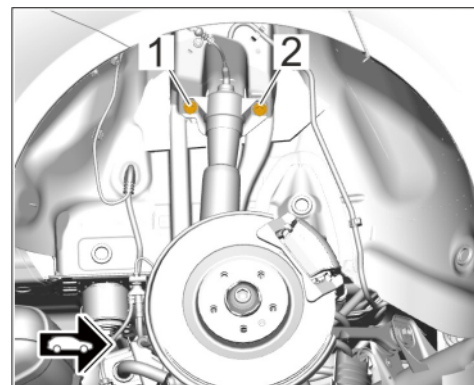
4 Replace fastening screws for shock absorbers on rear axle.

4.1 First, unscrew fastening screw ⇒ *Fastening screws for rear shock absorbers -1-* and screw in and tighten **new** fastening screw.

Initial tightening 50 Nm (37 ftlb.) Torque angle +90°

4.2 Then, unscrew fastening screw ⇒ *Fastening screws for rear shock absorbers -2-* and screw in and tighten **new** fastening screw.

Initial tightening 50 Nm (37 ftlb.) Torque angle +90°



Fastening screws for rear shock absorbers

5 Install rear wheel housing liner. ⇒ *Workshop Manual '536919 Removing and installing rear wheel housing liner'*

6 Install wheel. ⇒ *Workshop Manual '440519 Removing and installing wheel'*

7 Lower the vehicle and remove it from the lifting platform.

8 Enter the campaign in the Warranty and Maintenance booklet.

Warranty processing



Information

The specified working times were determined specifically for carrying out this campaign and include all required preliminary and subsequent work.

The working times may differ from the working times published in the Labor Operation List in PCSS.

Scope 1: Reworking threaded joints of the shock absorbers on the front axle and replacing bearing bracket

- Front axle, **left**
- Vehicles with **air suspension (M-no. 1BK)**

Working time:

Reworking threaded joints of shock absorbers on front axle and replacing bearing bracket

Labor time: **377 TU**

Includes:

Removing and installing front left wheel
 Removing and installing front left air-spring strut
 Releasing air from air spring and filling air spring
 Performing suspension alignment and making adjustments if necessary
 Calibrating steering-angle sensor
 Teaching power-steering gear
 Calibrating front camera

Parts required:

95B412383	Left bearing bracket	1 ea.
N 91066101	Hexagon-head bolt, M10 x 35	4 ea.
N 10784702	Hexagon flange bolt, M12 x 1.5 x 85	2 ea.
N 10106402	Hexagon collar nut, self-locking, M12 x 1.5	2 ea.
N 10680201	Hex flange bolt with multiple-tooth head, M10 x 75	1 ea.
WHT004593	Double-hex collar nut, self-locking, M12 x 1.5	1 ea.
PAF104253	Hexagon flange bolt, M10 x 62 x 45	2 ea.
PAF102861	Hexagon collar nut, self-locking, M10	2 ea.
PAF911561	Hexagon-head bolt, M12 x 1.5 x 100	8 ea.
95B615447C	Air guide plate, left	1 ea.
95B615448C	Air guide plate, right	1 ea.
95B699011C	Air line clamp	2 ea.

Additional costs:

AMA80000001*	Transport costs	1 ea.
--------------	-----------------	-------

* For warranty processing, the Part No. **AMA80000001** can be invoiced in the warranty claim as an **additional part** with the designation "Transport costs" and with the amount as per invoice. **Please document a copy of the invoice in WWS.**

⇒ **Damage Code AMA8 099 000 2**

Scope 2: Reworking threaded joints of the shock absorbers on the front axle and replacing bearing bracket

- Front axle, **right**
- Vehicles with **air suspension (M-no. 1BK)**

Working time:

Reworking threaded joints of shock absorbers on front axle and replacing bearing bracket

Labor time: **382 TU**

Includes:

- Removing and installing front right wheel
- Removing and installing front right air-spring strut
- Releasing air from air spring and filling air spring
- Performing suspension alignment and making adjustments if necessary
- Calibrating steering-angle sensor
- Teaching power-steering gear
- Calibrating front camera

Parts required:

95B412384	Right bearing bracket	1 ea.
N 91066101	Hexagon-head bolt, M10 x 35	4 ea.
N 10784702	Hexagon flange bolt, M12 x 1.5 x 85	2 ea.
N 10106402	Hexagon collar nut, self-locking, M12 x 1.5	2 ea.
N 10680201	Hex flange bolt with multiple-tooth head, M10 x 75	1 ea.
WHT004593	Double-hex collar nut, self-locking, M12 x 1.5	1 ea.
PAF104253	Hexagon flange bolt, M10 x 62 x 45	2 ea.
PAF102861	Hexagon collar nut, self-locking, M10	2 ea.
PAF911561	Hexagon-head bolt, M12 x 1.5 x 100	8 ea.
95B615447C	Air guide plate, left	1 ea.
95B615448C	Air guide plate, right	1 ea.

95B699011C	Air line clamp	2 ea.
------------	----------------	-------

Additional costs:

AMA80000001*	Transport costs	1 ea.
--------------	-----------------	-------

* For warranty processing, the Part No. **AMA80000001** can be invoiced in the warranty claim as an **additional part** with the designation "Transport costs" and with the amount as per invoice. **Please document a copy of the invoice in WWS.**

⇒ **Damage Code AMA8 099 000 2**

Scope 3: Reworking threaded joints of the shock absorbers on the front axle and replacing bearing bracket

- Front axle, **left**
- Vehicles with **PASM (M-no. 1BH)**

Working time:

Reworking threaded joints of shock absorbers on front axle and replacing bearing bracket

Labor time: **347 TU**

Includes:

- Removing and installing front left wheel
- Removing and installing front left spring strut
- Performing suspension alignment and making adjustments if necessary
- Calibrating steering-angle sensor
- Teaching power-steering gear
- Calibrating front camera

Parts required:

95B412383	Left bearing bracket	1 ea.
N 91066101	Hexagon-head bolt, M10 x 35	4 ea.
N 10106402	Hexagon collar nut, self-locking, M12 x 1.5	1 ea.
N 10421304	Hexagon-head bolt, M12 x 1.5 x 80	1 ea.
PAF104029	Hexagon collar nut, M12 x 1.5	1 ea.
N 10628301	Hexagon flange bolt, M12 x 1.5 x 90	1 ea.
N 10680201	Hex flange bolt with multiple-tooth head, M10 x 75	1 ea.
WHT004593	Double-hex collar nut, self-locking, M12 x 1.5	1 ea.

PAF104253	Hexagon flange bolt, M10 x 62 x 45	2 ea.
PAF102861	Hexagon collar nut, self-locking, M10	2 ea.
PAF911561	Hexagon-head bolt, M12 x 1.5 x 100	8 ea.
95B615447C	Air guide plate, left	1 ea.
95B615448C	Air guide plate, right	1 ea.
95B699011C	Air line clamp	2 ea.
Additional costs:		
AMA80000001*	Transport costs	1 ea.
* For warranty processing, the Part No. AMA80000001 can be invoiced in the warranty claim as an additional part with the designation "Transport costs" and with the amount as per invoice. Please document a copy of the invoice in WWS.		
⇒ Damage Code AMA8 099 000 2		

Scope 4: Reworking threaded joints of the shock absorbers on the front axle and replacing bearing bracket

- Front axle, **right**
- Vehicles with **PASM (M-no. 1BH)**

Working time:	
Reworking threaded joints of shock absorbers on front axle and replacing bearing bracket	Labor time: 352 TU
Includes:	
<ul style="list-style-type: none"> Removing and installing front right wheel Removing and installing front right spring strut Performing suspension alignment and making adjustments if necessary Calibrating steering-angle sensor Teaching power-steering gear Calibrating front camera 	
Parts required:	
95B412384	Left bearing bracket 1 ea.
N 91066101	Hexagon-head bolt, M10 x 35 4 ea.
N 10106402	Hexagon collar nut, self-locking, M12 x 1.5 1 ea.
N 10421304	Hexagon-head bolt, M12 x 1.5 x 80 1 ea.

PAF104029	Hexagon collar nut, M12 x 1.5	1 ea.
N 10628301	Hexagon flange bolt, M12 x 1.5 x 90	1 ea.
N 10680201	Hex flange bolt with multiple-tooth head, M10 x 75	1 ea.
WHT004593	Double-hex collar nut, self-locking, M12 x 1.5	1 ea.
PAF104253	Hexagon flange bolt, M10 x 62 x 45	2 ea.
PAF102861	Hexagon collar nut, self-locking, M10	2 ea.
PAF911561	Hexagon-head bolt, M12 x 1.5 x 100	8 ea.
95B615447C	Air guide plate, left	1 ea.
95B615448C	Air guide plate, right	1 ea.
95B699011C	Air line clamp	2 ea.

Additional costs:

AMA80000001* Transport costs 1 ea.

* For warranty processing, the Part No. **AMA80000001** can be invoiced in the warranty claim as an **additional part** with the designation "Transport costs" and with the amount as per invoice. **Please document a copy of the invoice in WWS.**

⇒ **Damage Code AMA8 099 000 2**

Scope 5: Reworking threaded joints of the shock absorbers on the front axle and replacing bearing bracket

- Front axle, **left**
- Vehicles with **standard suspension (M-no. 1BA)**

Working time:

Reworking threaded joints of shock absorbers on front axle and replacing bearing bracket

Labor time: **345 TU**

Includes:

- Removing and installing front left wheel
- Removing and installing front left spring strut
- Performing suspension alignment and making adjustments if necessary
- Calibrating steering-angle sensor
- Teaching power-steering gear
- Calibrating front camera

Parts required:

8R0412391A	Left bearing bracket	1 ea.
N 91066101	Hexagon-head bolt, M10 x 35	4 ea.
N 10106402	Hexagon collar nut, self-locking, M12 x 1.5	1 ea.
N 10421304	Hexagon-head bolt, M12 x 1.5 x 80	1 ea.
PAF104029	Hexagon collar nut, M12 x 1.5	1 ea.
N 10628301	Hexagon flange bolt, M12 x 1.5 x 90	1 ea.
N 10680201	Hex flange bolt with multiple-tooth head, M10 x 75	1 ea.
WHT004593	Double-hex collar nut, self-locking, M12 x 1.5	1 ea.
PAF104253	Hexagon flange bolt, M10 x 62 x 45	2 ea.
PAF102861	Hexagon collar nut, self-locking, M10	2 ea.
PAF911561	Hexagon-head bolt, M12 x 1.5 x 100	8 ea.
95B615447C	Air guide plate, left	1 ea.
95B615448C	Air guide plate, right	1 ea.
95B699011C	Air line clamp	2 ea.

Additional costs:

AMA80000001*	Transport costs	1 ea.
--------------	-----------------	-------

* For warranty processing, the Part No. **AMA80000001** can be invoiced in the warranty claim as an **additional part** with the designation "Transport costs" and with the amount as per invoice. **Please document a copy of the invoice in WWS.**

⇒ **Damage Code AMA8 099 000 2**

Scope 6: Reworking threaded joints of the shock absorbers on the front axle and replacing bearing bracket

- Front axle, **right**
- Vehicles with **standard suspension (M-no. 1BA)**

Working time:

Reworking threaded joints of shock absorbers on front axle and replacing bearing bracket

Labor time: **350 TU**

Includes:

- Removing and installing front right wheel
- Removing and installing front right spring strut
- Performing suspension alignment and making adjustments if necessary
- Calibrating steering-angle sensor
- Teaching power-steering gear
- Calibrating front camera

Parts required:

8R0412392A	Right bearing bracket	1 ea.
N 91066101	Hexagon-head bolt, M10 x 35	4 ea.
N 10106402	Hexagon collar nut, self-locking, M12 x 1.5	1 ea.
N 10421304	Hexagon-head bolt, M12 x 1.5 x 80	1 ea.
PAF104029	Hexagon collar nut, M12 x 1.5	1 ea.
N 10628301	Hexagon flange bolt, M12 x 1.5 x 90	1 ea.
N 10680201	Hex flange bolt with multiple-tooth head, M10 x 75	1 ea.
WHT004593	Double-hex collar nut, self-locking, M12 x 1.5	1 ea.
PAF104253	Hexagon flange bolt, M10 x 62 x 45	2 ea.
PAF102861	Hexagon collar nut, self-locking, M10	2 ea.
PAF911561	Hexagon-head bolt, M12 x 1.5 x 100	8 ea.
95B615447C	Air guide plate, left	1 ea.
95B615448C	Air guide plate, right	1 ea.
95B699011C	Air line clamp	2 ea.

Additional costs:

AMA80000001*	Transport costs	1 ea.
--------------	-----------------	-------

* For warranty processing, the Part No. **AMA80000001** can be invoiced in the warranty claim as an **additional part** with the designation "Transport costs" and with the amount as per invoice. **Please document a copy of the invoice in WWS.**

⇒ Damage Code **AMA8 099 000 2**

Scope 9: Reworking threaded joints of the shock absorbers on the front axle and replacing bearing bracket

- Front axle, **left** and **right**
- Vehicles with **air suspension (M-no. 1BK)**

Working time:

Reworking threaded joints of shock absorbers on front axle and replacing bearing bracket

Labor time: **597 TU**

Includes:

Removing and installing front left and right wheel
 Removing and installing front left and right air-spring strut
 Releasing air from air springs and filling air springs
 Performing suspension alignment and making adjustments if necessary
 Calibrating steering-angle sensor
 Teaching power-steering gear
 Calibrating front camera

Parts required:

95B412383	Left bearing bracket	1 ea.
95B412384	Right bearing bracket	1 ea.
N 91066101	Hexagon-head bolt, M10 x 35	8 ea.
N 10784702	Hexagon flange bolt, M12 x 1.5 x 85	4 ea.
N 10106402	Hexagon collar nut, self-locking, M12 x 1.5	4 ea.
N 10680201	Hex flange bolt with multiple-tooth head, M10 x 75	2 ea.
WHT004593	Double-hex collar nut, self-locking, M12 x 1.5	2 ea.
PAF104253	Hexagon flange bolt, M10 x 62 x 45	4 ea.
PAF102861	Hexagon collar nut, self-locking, M10	4 ea.
PAF911561	Hexagon-head bolt, M12 x 1.5 x 100	16 ea.
95B615447C	Air guide plate, left	2 ea.
95B615448C	Air guide plate, right	2 ea.
95B699011C	Air line clamp	4 ea.

Additional costs:

AMA80000001* Transport costs 1 ea.

* For warranty processing, the Part No. **AMA80000001** can be invoiced in the warranty claim as an **additional part** with the designation "Transport costs" and with the amount as per invoice. **Please document a copy of the invoice in WWS.**

⇒ **Damage Code AMA8 099 000 2**

Scope 10: Reworking threaded joints of the shock absorbers on the front axle and replacing bearing bracket

- Front axle, **left** and **right**
- Vehicles with **PASM (M-no. 1BH)**

Working time:

Reworking threaded joints of shock absorbers on front axle and replacing bearing bracket Labor time: **537 TU**

Includes:

- Removing and installing front left and right wheel
- Removing and installing front left and right spring strut
- Performing suspension alignment and making adjustments if necessary
- Calibrating steering-angle sensor
- Teaching power-steering gear
- Calibrating front camera

Parts required:

95B412383	Left bearing bracket	1 ea.
95B412384	Right bearing bracket	1 ea.
N 91066101	Hexagon-head bolt, M10 x 35	8 ea.
N 10106402	Hexagon collar nut, self-locking, M12 x 1.5	2 ea.
N 10421304	Hexagon-head bolt, M12 x 1.5 x 80	2 ea.
PAF104029	Hexagon collar nut, M12 x 1.5	2 ea.
N 10628301	Hexagon flange bolt, M12 x 1.5 x 90	2 ea.
N 10680201	Hex flange bolt with multiple-tooth head, M10 x 75	2 ea.
WHT004593	Double-hex collar nut, self-locking, M12 x 1.5	2 ea.

PAF104253	Hexagon flange bolt, M10 x 62 x 45	4 ea.
PAF102861	Hexagon collar nut, self-locking, M10	4 ea.
PAF911561	Hexagon-head bolt, M12 x 1.5 x 100	16 ea.
95B615447C	Air guide plate, left	2 ea.
95B615448C	Air guide plate, right	2 ea.
95B699011C	Air line clamp	4 ea.

Additional costs:

AMA80000001*	Transport costs	1 ea.
--------------	-----------------	-------

* For warranty processing, the Part No. **AMA80000001** can be invoiced in the warranty claim as an **additional part** with the designation "Transport costs" and with the amount as per invoice. **Please document a copy of the invoice in WWS.**

⇒ **Damage Code AMA8 099 000 2**

Scope 11: Reworking threaded joints of the shock absorbers on the front axle and replacing bearing bracket

- Front axle, **left** and **right**
- Vehicles with **standard suspension (M-no. 1BA)**

Working time:

Reworking threaded joints of shock absorbers on front axle and replacing bearing bracket

Labor time: **533 TU**

Includes:

- Removing and installing front left and right wheel
- Removing and installing front left and right spring strut
- Performing suspension alignment and making adjustments if necessary
- Calibrating steering-angle sensor
- Teaching power-steering gear
- Calibrating front camera

Parts required:

8R0412391A	Left bearing bracket	1 ea.
8R0412392A	Right bearing bracket	1 ea.
N 91066101	Hexagon-head bolt, M10 x 35	8 ea.
N 10106402	Hexagon collar nut, self-locking, M12 x 1.5	2 ea.

N 10421304	Hexagon-head bolt, M12 x 1.5 x 80	2 ea.
PAF104029	Hexagon collar nut, M12 x 1.5	2 ea.
N 10628301	Hexagon flange bolt, M12 x 1.5 x 90	2 ea.
N 10680201	Hex flange bolt with multiple-tooth head, M10 x 75	2 ea.
WHT004593	Double-hex collar nut, self-locking, M12 x 1.5	2 ea.
PAF104253	Hexagon flange bolt, M10 x 62 x 45	4 ea.
PAF102861	Hexagon collar nut, self-locking, M10	4 ea.
PAF911561	Hexagon-head bolt, M12 x 1.5 x 100	16 ea.
95B615447C	Air guide plate, left	2 ea.
95B615448C	Air guide plate, right	2 ea.
95B699011C	Air line clamp	4 ea.
Additional costs:		
AMA80000001*	Transport costs	1 ea.
* For warranty processing, the Part No. AMA80000001 can be invoiced in the warranty claim as an additional part with the designation "Transport costs" and with the amount as per invoice. Please document a copy of the invoice in WWS.		
⇒ Damage Code AMA8 099 000 2		

Scope 12: Reworking threaded joints of the shock absorbers on the rear axle at the **left and right**

Working time:	
Reworking threaded joints of shock absorbers on rear axle	Labor time: 122 TU
Includes:	
Removing and installing rear left and right wheel	
Removing and installing rear left wheel housing liner	
Parts required:	
N 91066101	Hexagon-head bolt, M10 x 35 4 ea.
Additional costs:	
AMA80000001*	Transport costs 1 ea.

* For warranty processing, the Part No. **AMA80000001** can be invoiced in the warranty claim as an **additional part** with the designation "Transport costs" and with the amount as per invoice. **Please document a copy of the invoice in WWS.**

⇒ **Damage Code AMA8 099 000 2**

Scope 13: Reworking threaded joints of the shock absorbers on the front and rear axles and replacing bearing bracket

- **Front axle, left and rear axle, right**
- Vehicles with **PASM (M-no. 1BH)**

Working time:

Reworking threaded joints of shock absorbers on front and rear axles and replacing bearing bracket

Labor time: **400 TU**

Includes:

Removing and installing front left wheel
 Removing and installing front left spring strut
 Removing and installing rear right wheel
 Removing and installing rear right wheel housing liner
 Performing suspension alignment and making adjustments if necessary
 Calibrating steering-angle sensor
 Teaching power-steering gear
 Calibrating front camera

Parts required:

95B412383	Left bearing bracket	1 ea.
N 91066101	Hexagon-head bolt, M10 x 35	6 ea.
N 10106402	Hexagon collar nut, self-locking, M12 x 1.5	1 ea.
N 10421304	Hexagon-head bolt, M12 x 1.5 x 80	1 ea.
PAF104029	Hexagon collar nut, M12 x 1.5	1 ea.
N 10628301	Hexagon flange bolt, M12 x 1.5 x 90	1 ea.
N 10680201	Hex flange bolt with multiple-tooth head, M10 x 75	1 ea.
WHT004593	Double-hex collar nut, self-locking, M12 x 1.5	1 ea.
PAF104253	Hexagon flange bolt, M10 x 62 x 45	2 ea.

PAF102861	Hexagon collar nut, self-locking, M10	2 ea.
PAF911561	Hexagon-head bolt, M12 x 1.5 x 100	8 ea.
95B615447C	Air guide plate, left	1 ea.
95B615448C	Air guide plate, right	1 ea.
95B699011C	Air line clamp	2 ea.
Additional costs:		
AMA80000001*	Transport costs	1 ea.
* For warranty processing, the Part No. AMA80000001 can be invoiced in the warranty claim as an additional part with the designation "Transport costs" and with the amount as per invoice. Please document a copy of the invoice in WWS.		
⇒ Damage Code AMA8 099 000 2		

Scope 14: Reworking threaded joints of the shock absorbers on the front and rear axles and replacing bearing bracket

- **Front axle, right** and **rear axle, left**
- Vehicles with **PASM (M-no. 1BH)**

Working time:		
Reworking threaded joints of shock absorbers on front and rear axles and replacing bearing bracket		Labor time: 405 TU
Includes:		
<ul style="list-style-type: none"> Removing and installing front right wheel Removing and installing front right spring strut Removing and installing rear left wheel Removing and installing rear left wheel housing liner Performing suspension alignment and making adjustments if necessary Calibrating steering-angle sensor Teaching power-steering gear Calibrating front camera 		
Parts required:		
95B412384	Left bearing bracket	1 ea.
N 91066101	Hexagon-head bolt, M10 x 35	6 ea.
N 10106402	Hexagon collar nut, self-locking, M12 x 1.5	1 ea.

N 10421304	Hexagon-head bolt, M12 x 1.5 x 80	1 ea.
PAF104029	Hexagon collar nut, M12 x 1.5	1 ea.
N 10628301	Hexagon flange bolt, M12 x 1.5 x 90	1 ea.
N 10680201	Hex flange bolt with multiple-tooth head, M10 x 75	1 ea.
WHT004593	Double-hex collar nut, self-locking, M12 x 1.5	1 ea.
PAF104253	Hexagon flange bolt, M10 x 62 x 45	2 ea.
PAF102861	Hexagon collar nut, self-locking, M10	2 ea.
PAF911561	Hexagon-head bolt, M12 x 1.5 x 100	8 ea.
95B615447C	Air guide plate, left	1 ea.
95B615448C	Air guide plate, right	1 ea.
95B699011C	Air line clamp	2 ea.

Additional costs:

AMA80000001*	Transport costs	1 ea.
--------------	-----------------	-------

* For warranty processing, the Part No. **AMA80000001** can be invoiced in the warranty claim as an **additional part** with the designation "Transport costs" and with the amount as per invoice. **Please document a copy of the invoice in WWS.**

⇒ **Damage Code AMA8 099 000 2**

Scope 15: Reworking threaded joints of the shock absorbers on the front and rear axles and replacing bearing bracket

- **Front axle, right** and **rear axle, left**
- Vehicles with **standard suspension (M-no. 1BA)**

Working time:

Reworking threaded joints of shock absorbers on front and rear axles and replacing bearing bracket

Labor time: **403 TU**

Includes:

- Removing and installing front right wheel
- Removing and installing front right spring strut
- Removing and installing rear left wheel
- Removing and installing rear left wheel housing liner
- Performing suspension alignment and making adjustments if necessary
- Calibrating steering-angle sensor

Teaching power-steering gear
Calibrating front camera

Parts required:

8R0412392A	Right bearing bracket	1 ea.
N 91066101	Hexagon-head bolt, M10 x 35	6 ea.
N 10106402	Hexagon collar nut, self-locking, M12 x 1.5	1 ea.
N 10421304	Hexagon-head bolt, M12 x 1.5 x 80	1 ea.
PAF104029	Hexagon collar nut, M12 x 1.5	1 ea.
N 10628301	Hexagon flange bolt, M12 x 1.5 x 90	1 ea.
N 10680201	Hex flange bolt with multiple-tooth head, M10 x 75	1 ea.
WHT004593	Double-hex collar nut, self-locking, M12 x 1.5	1 ea.
PAF104253	Hexagon flange bolt, M10 x 62 x 45	2 ea.
PAF102861	Hexagon collar nut, self-locking, M10	2 ea.
PAF911561	Hexagon-head bolt, M12 x 1.5 x 100	8 ea.
95B615447C	Air guide plate, left	1 ea.
95B615448C	Air guide plate, right	1 ea.
95B699011C	Air line clamp	2 ea.

Additional costs:

AMA80000001*	Transport costs	1 ea.
--------------	-----------------	-------

* For warranty processing, the Part No. **AMA80000001** can be invoiced in the warranty claim as an **additional part** with the designation "Transport costs" and with the amount as per invoice. **Please document a copy of the invoice in WWS.**

⇒ **Damage Code AMA8 099 000 2**

Scope 16: Reworking threaded joints of the shock absorbers on the front axle and replacing bearing bracket

- Front axle, **left**
- Vehicles with **air suspension (M-no. 1BK)**
- Vehicles with **adaptive cruise control (M-no. 8T3)**

Working time:

Reworking threaded joints of shock absorbers on front axle and replacing bearing bracket

Labor time: **447 TU**

Includes:

- Removing and installing front left wheel
- Removing and installing front left air-spring strut
- Releasing air from air spring and filling air spring
- Performing suspension alignment and making adjustments if necessary
- Calibrating steering-angle sensor
- Teaching power-steering gear
- Calibrating front camera
- Adjusting control unit for distance measuring sensor

Parts required:

95B412383	Left bearing bracket	1 ea.
N 91066101	Hexagon-head bolt, M10 x 35	4 ea.
N 10784702	Hexagon flange bolt, M12 x 1.5 x 85	2 ea.
N 10106402	Hexagon collar nut, self-locking, M12 x 1.5	2 ea.
N 10680201	Hex flange bolt with multiple-tooth head, M10 x 75	1 ea.
WHT004593	Double-hex collar nut, self-locking, M12 x 1.5	1 ea.
PAF104253	Hexagon flange bolt, M10 x 62 x 45	2 ea.
PAF102861	Hexagon collar nut, self-locking, M10	2 ea.
PAF911561	Hexagon-head bolt, M12 x 1.5 x 100	8 ea.
95B615447C	Air guide plate, left	1 ea.
95B615448C	Air guide plate, right	1 ea.
95B699011C	Air line clamp	2 ea.

Additional costs:

AMA80000001*	Transport costs	1 ea.
--------------	-----------------	-------

* For warranty processing, the Part No. **AMA80000001** can be invoiced in the warranty claim as an **additional part** with the designation "Transport costs" and with the amount as per invoice. **Please document a copy of the invoice in WWS.**

⇒ Damage Code AMA8 099 000 2

Scope 17: Reworking threaded joints of the shock absorbers on the front axle and replacing bearing bracket

- Front axle, **right**
- Vehicles with **air suspension (M-no. 1BK)**
- Vehicles with **adaptive cruise control (M-no. 8T3)**

Working time:

Reworking threaded joints of shock absorbers on front axle and replacing bearing bracket

Labor time: **452 TU**

Includes:

- Removing and installing front right wheel
- Removing and installing front right air-spring strut
- Releasing air from air spring and filling air spring
- Performing suspension alignment and making adjustments if necessary
- Calibrating steering-angle sensor
- Teaching power-steering gear
- Calibrating front camera
- Adjusting control unit for distance measuring sensor

Parts required:

95B412384	Right bearing bracket	1 ea.
N 91066101	Hexagon-head bolt, M10 x 35	4 ea.
N 10784702	Hexagon flange bolt, M12 x 1.5 x 85	2 ea.
N 10106402	Hexagon collar nut, self-locking, M12 x 1.5	2 ea.
N 10680201	Hex flange bolt with multiple-tooth head, M10 x 75	1 ea.
WHT004593	Double-hex collar nut, self-locking, M12 x 1.5	1 ea.
PAF104253	Hexagon flange bolt, M10 x 62 x 45	2 ea.
PAF102861	Hexagon collar nut, self-locking, M10	2 ea.
PAF911561	Hexagon-head bolt, M12 x 1.5 x 100	8 ea.
95B615447C	Air guide plate, left	1 ea.
95B615448C	Air guide plate, right	1 ea.
95B699011C	Air line clamp	2 ea.

Additional costs:

AMA80000001* Transport costs 1 ea.

* For warranty processing, the Part No. **AMA80000001** can be invoiced in the warranty claim as an **additional part** with the designation "Transport costs" and with the amount as per invoice. **Please document a copy of the invoice in WWS.**

⇒ **Damage Code AMA8 099 000 2**

Scope 18: Reworking threaded joints of the shock absorbers on the front axle and replacing bearing bracket

- Front axle, **left**
- Vehicles with **PASM (M-no. 1BH)**
- Vehicles with **adaptive cruise control (M-no. 8T3)**

Working time:

Reworking threaded joints of shock absorbers on front axle and replacing bearing bracket

Labor time: **417 TU**

Includes:

- Removing and installing front left wheel
- Removing and installing front left spring strut
- Performing suspension alignment and making adjustments if necessary
- Calibrating steering-angle sensor
- Teaching power-steering gear
- Calibrating front camera
- Adjusting control unit for distance measuring sensor

Parts required:

95B412383	Left bearing bracket	1 ea.
N 91066101	Hexagon-head bolt, M10 x 35	4 ea.
N 10106402	Hexagon collar nut, self-locking, M12 x 1.5	1 ea.
N 10421304	Hexagon-head bolt, M12 x 1.5 x 80	1 ea.
PAF104029	Hexagon collar nut, M12 x 1.5	1 ea.
N 10628301	Hexagon flange bolt, M12 x 1.5 x 90	1 ea.
N 10680201	Hex flange bolt with multiple-tooth head, M10 x 75	1 ea.

WHT004593	Double-hex collar nut, self-locking, M12 x 1.5	1 ea.
PAF104253	Hexagon flange bolt, M10 x 62 x 45	2 ea.
PAF102861	Hexagon collar nut, self-locking, M10	2 ea.
PAF911561	Hexagon-head bolt, M12 x 1.5 x 100	8 ea.
95B615447C	Air guide plate, left	1 ea.
95B615448C	Air guide plate, right	1 ea.
95B699011C	Air line clamp	2 ea.
Additional costs:		
AMA80000001*	Transport costs	1 ea.
* For warranty processing, the Part No. AMA80000001 can be invoiced in the warranty claim as an additional part with the designation "Transport costs" and with the amount as per invoice. Please document a copy of the invoice in WWS.		
⇒ Damage Code AMA8 099 000 2		

Scope 19: Reworking threaded joints of the shock absorbers on the front axle and replacing bearing bracket

- Front axle, **right**
- Vehicles with **PASM (M-no. 1BH)**
- Vehicles with **adaptive cruise control (M-no. 8T3)**

Working time:	
Reworking threaded joints of shock absorbers on front axle and replacing bearing bracket	Labor time: 422 TU
Includes:	
<ul style="list-style-type: none"> Removing and installing front right wheel Removing and installing front right spring strut Performing suspension alignment and making adjustments if necessary Calibrating steering-angle sensor Teaching power-steering gear Calibrating front camera Adjusting control unit for distance measuring sensor 	
Parts required:	
95B412384	Left bearing bracket 1 ea.
N 91066101	Hexagon-head bolt, M10 x 35 4 ea.

N 10106402	Hexagon collar nut, self-locking, M12 x 1.5	1 ea.
N 10421304	Hexagon-head bolt, M12 x 1.5 x 80	1 ea.
PAF104029	Hexagon collar nut, M12 x 1.5	1 ea.
N 10628301	Hexagon flange bolt, M12 x 1.5 x 90	1 ea.
N 10680201	Hex flange bolt with multiple-tooth head, M10 x 75	1 ea.
WHT004593	Double-hex collar nut, self-locking, M12 x 1.5	1 ea.
PAF104253	Hexagon flange bolt, M10 x 62 x 45	2 ea.
PAF102861	Hexagon collar nut, self-locking, M10	2 ea.
PAF911561	Hexagon-head bolt, M12 x 1.5 x 100	8 ea.
95B615447C	Air guide plate, left	1 ea.
95B615448C	Air guide plate, right	1 ea.
95B699011C	Air line clamp	2 ea.

Additional costs:

AMA80000001* Transport costs 1 ea.

* For warranty processing, the Part No. **AMA80000001** can be invoiced in the warranty claim as an **additional part** with the designation "Transport costs" and with the amount as per invoice. **Please document a copy of the invoice in WWS.**

⇒ **Damage Code AMA8 099 000 2**

Scope 20: Reworking threaded joints of the shock absorbers on the front axle and replacing bearing bracket

- Front axle, **left**
- Vehicles with **standard suspension (M-no. 1BA)**
- Vehicles with **adaptive cruise control (M-no. 8T3)**

Working time:

Reworking threaded joints of shock absorbers on front axle and replacing bearing bracket

Labor time: **415 TU**

Includes:

- Removing and installing front left wheel
- Removing and installing front left spring strut
- Performing suspension alignment and making adjustments if necessary
- Calibrating steering-angle sensor
- Teaching power-steering gear
- Calibrating front camera
- Adjusting control unit for distance measuring sensor

Parts required:

8R0412391A	Left bearing bracket	1 ea.
N 91066101	Hexagon-head bolt, M10 x 35	4 ea.
N 10106402	Hexagon collar nut, self-locking, M12 x 1.5	1 ea.
N 10421304	Hexagon-head bolt, M12 x 1.5 x 80	1 ea.
PAF104029	Hexagon collar nut, M12 x 1.5	1 ea.
N 10628301	Hexagon flange bolt, M12 x 1.5 x 90	1 ea.
N 10680201	Hex flange bolt with multiple-tooth head, M10 x 75	1 ea.
WHT004593	Double-hex collar nut, self-locking, M12 x 1.5	1 ea.
PAF104253	Hexagon flange bolt, M10 x 62 x 45	2 ea.
PAF102861	Hexagon collar nut, self-locking, M10	2 ea.
PAF911561	Hexagon-head bolt, M12 x 1.5 x 100	8 ea.
95B615447C	Air guide plate, left	1 ea.
95B615448C	Air guide plate, right	1 ea.
95B699011C	Air line clamp	2 ea.

Additional costs:

AMA80000001*	Transport costs	1 ea.
--------------	-----------------	-------

* For warranty processing, the Part No. **AMA80000001** can be invoiced in the warranty claim as an **additional part** with the designation "Transport costs" and with the amount as per invoice. **Please document a copy of the invoice in WWS.**

⇒ Damage Code **AMA8 099 000 2**

Scope 21: Reworking threaded joints of the shock absorbers on the front axle and replacing bearing bracket

- Front axle, **right**
- Vehicles with **standard suspension (M-no. 1BA)**
- Vehicles with **adaptive cruise control (M-no. 8T3)**

Working time:

Reworking threaded joints of shock absorbers on front axle and replacing bearing bracket

Labor time: **420 TU**

Includes:

Removing and installing front right wheel
 Removing and installing front right spring strut
 Performing suspension alignment and making adjustments if necessary
 Calibrating steering-angle sensor
 Teaching power-steering gear
 Calibrating front camera
 Adjusting control unit for distance measuring sensor

Parts required:

8R0412392A	Right bearing bracket	1 ea.
N 91066101	Hexagon-head bolt, M10 x 35	4 ea.
N 10106402	Hexagon collar nut, self-locking, M12 x 1.5	1 ea.
N 10421304	Hexagon-head bolt, M12 x 1.5 x 80	1 ea.
PAF104029	Hexagon collar nut, M12 x 1.5	1 ea.
N 10628301	Hexagon flange bolt, M12 x 1.5 x 90	1 ea.
N 10680201	Hex flange bolt with multiple-tooth head, M10 x 75	1 ea.
WHT004593	Double-hex collar nut, self-locking, M12 x 1.5	1 ea.
PAF104253	Hexagon flange bolt, M10 x 62 x 45	2 ea.
PAF102861	Hexagon collar nut, self-locking, M10	2 ea.
PAF911561	Hexagon-head bolt, M12 x 1.5 x 100	8 ea.
95B615447C	Air guide plate, left	1 ea.

95B615448C	Air guide plate, right	1 ea.
95B699011C	Air line clamp	2 ea.
Additional costs:		
AMA80000001*	Transport costs	1 ea.
* For warranty processing, the Part No. AMA80000001 can be invoiced in the warranty claim as an additional part with the designation "Transport costs" and with the amount as per invoice. Please document a copy of the invoice in WWS.		
⇒ Damage Code AMA8 099 000 2		

Scope 22: Reworking threaded joints of the shock absorbers on the front axle and replacing bearing bracket

- Front axle, **left** and **right**
- Vehicles with **standard suspension (M-no. 1BA)**
- Vehicles with **adaptive cruise control (M-no. 8T3)**

Working time:		
Reworking threaded joints of shock absorbers on front axle and replacing bearing bracket		Labor time: 603 TU
Includes:		
<ul style="list-style-type: none"> Removing and installing front left and right wheel Removing and installing front left and right spring strut Performing suspension alignment and making adjustments if necessary Calibrating steering-angle sensor Teaching power-steering gear Calibrating front camera Adjusting control unit for distance measuring sensor 		
Parts required:		
8R0412391A	Left bearing bracket	1 ea.
8R0412392A	Right bearing bracket	1 ea.
N 91066101	Hexagon-head bolt, M10 x 35	8 ea.
N 10106402	Hexagon collar nut, self-locking, M12 x 1.5	2 ea.
N 10421304	Hexagon-head bolt, M12 x 1.5 x 80	2 ea.
PAF104029	Hexagon collar nut, M12 x 1.5	2 ea.
N 10628301	Hexagon flange bolt, M12 x 1.5 x 90	2 ea.

N 10680201	Hex flange bolt with multiple-tooth head, M10 x 75	2 ea.
WHT004593	Double-hex collar nut, self-locking, M12 x 1.5	2 ea.
PAF104253	Hexagon flange bolt, M10 x 62 x 45	4 ea.
PAF102861	Hexagon collar nut, self-locking, M10	4 ea.
PAF911561	Hexagon-head bolt, M12 x 1.5 x 100	16 ea.
95B615447C	Air guide plate, left	2 ea.
95B615448C	Air guide plate, right	2 ea.
95B699011C	Air line clamp	4 ea.

Additional costs:

AMA80000001*	Transport costs	1 ea.
--------------	-----------------	-------

* For warranty processing, the Part No. **AMA80000001** can be invoiced in the warranty claim as an **additional part** with the designation "Transport costs" and with the amount as per invoice. **Please document a copy of the invoice in WWS.**

⇒ **Damage Code AMA8 099 000 2**

Important Notice: Technical Bulletins issued by Porsche Cars North America, Inc. are intended only for use by professional automotive technicians who have attended Porsche service training courses. They are written to inform those technicians of conditions that may occur on some Porsche vehicles, or to provide information that could assist in the proper servicing of a vehicle. Porsche special tools may be necessary in order to perform certain operations identified in these bulletins. Use of tools and procedures other than those Porsche recommends in these bulletins may be detrimental to the safe operation of your vehicle, and may endanger the people working on it. Properly trained Porsche technicians have the equipment, tools, safety instructions, and know-how to do the job properly and safely. Part numbers listed in these bulletins are for reference only. The work procedures updated electronically in the Porsche PIWIS diagnostic and testing device take precedence and, in the event of a discrepancy, the work procedures in the PIWIS Tester are the ones that must be followed.

© 2021 Porsche Cars North America, Inc.