



Campaign code:
L734-R.01.21

Campaign Name:
Replacement of engine hood hinge screws

Model:
Aventador SVJ Coupé

Model Year:
19, 20 and 21

Limited or special editions:
SVJ 63

Markets:
US and Canada

VIN Identification:
From VIN LLA07769 to LLA10295

Important: before proceeding with the repair, connect to the warranty portal and use the VIN Info section to check that:

- The vehicle is actually affected by the instructions given in this bulletin - some vehicles may not be affected, even though their VIN is within the specified range
- The spare parts corresponding to those indicated in the specific procedure are used

Example

The screenshot shows a web interface for checking warranty status. It includes fields for VIN (17 DIGITS VIN), MODEL NAME, Start Warranty (DD/MM/YYYY), and End Warranty (DD/MM/YYYY). Below this is a section for 'Outstanding Campaigns' with a table:

Code	Type	Description	Bulletin	Proc.
LXX-A.XX.XX		CAMPAIGN NAME	[Icon]	3

The number '3' in the 'Proc.' column is circled in red. At the bottom, it says 'Next service planned at date'.

Note for the field:

As a result of the continuous product monitoring, Automobili Lamborghini S.p.A. has determined that loss of torque of engine hood hinge screws may result in an unlatched hood. This could increase the likelihood that with a combination of factors such as high speed under strong vertical and longitudinal acceleration, the wind force is sufficient to inadvertently flip open the hood and could fully detach from the vehicle, creating a road hazard.

Solution for the field:

Replacement of engine hood hinge screws.

Spare Parts:

P/N:	Description	Q
470898012C	The kit contains: - Screw: N91074202 ; Q: 6 - Washer: N10612001; Q: 6	1

How to handle the replaced components.

For this recall campaign, it is not necessary to retain the material removed from the vehicle.

Labor

Hours: 0.5 hrs

Bulletins superseded.

None.

Warranty instructions

To request reimbursement for the corrective action performed, access the Warranties section of the Lamborghini HUB Portal and follow the "Campaigns" entry instructions in the W. Claim manual, which can be downloaded from the Portal.

Select the required campaign and proceed with entry, carefully reading the options present in the alert displayed by the system (see example), then select the operation performed on the vehicle.



Reimbursement will be structured as follows, on the basis of the operation performed:

- **OPTION B:** Replacement of engine hood hinge screws



IMPORTANT!

Attach all documents generated during the work carried out on the vehicle demonstrating the work performed (e.g. work orders, diagnostic protocols etc.). The lack of one or more of these documents may lead to refusal of the reimbursement.

Fill out the service and recall Campaigns section in the warranty booklet, as shown in the figure below.

Equipment/materials required



NOTE:

A torque wrench, code 61153001837 (or, as an alternative, tool VAG 1783), will be sent to you to use for the rework.

You can obtain reimbursement for the wrench by entering the same amount in the first claim as sublet.

Code	Description.	Qty.
61153001837	Torque wrench	1
ASE 440 254 00 000	VAG 1783	1



NOTE. (*)

All ODIS technical documentation can be consulted on the Lamborghini web portal in the ODIS section.



Preliminary operations

1. Using a appropriate feeler gage, check the alignment measurements of the engine hood along the entire perimeter before removal.



IMPORTANT:

Take note of the measurements taken to perform a check when the job is completed.

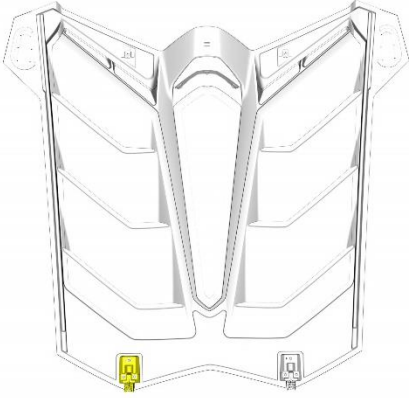


2. Remove the hood from the vehicle following the procedure described in the workshop manual, "Aventador SVJ Coupé" section:
08-Body→27-Engine Hood and Spoiler→A-Complete Engine Hood.



Procedure

1. Left element:



NOTE

Procedure that can be used on both the left and the right elements.



WARNING!

Danger of damaging the hood and composite material.

Place the hood on an adequate work surface and protect the work area.



NOTE

Always follow the removal and tightening sequence indicated below.



2. Remove the screw (1) together with its washer.



3. Hand tighten the new fixing screw provided in the kit (part number N91074202) and its washer (part number N10612001) completely.



WARNING!

Danger of damaging the bushing.
Tighten by hand as far as it will go.



4. Tighten to torque using **ONLY** the torque wrench provided, code 61153001837 (or, as an alternative, code VAG 1783).



WARNING!

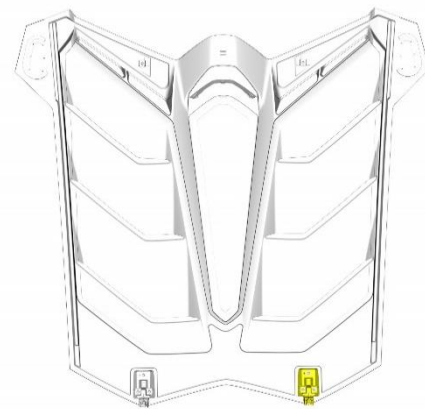
The torque wrench has already been calibrated and adjusted to the required tightening torque (3 Nm).
DO NOT CHANGE THE CALIBRATION OF THE TORQUE WRENCH FOR ANY REASON.



5. Perform the same procedure (from point 1 to point 4) for screws number 2 and number 3, remembering to replace them one at a time and paying attention to not exceed the tightening torque.



6. Right Element:





7. Perform the same procedure (from point 1 to point 5) for the right engine hood mounting element.



NOTE

Always follow the removal and tightening sequence indicated.



Final operations

8. Re-install the hood on the vehicle following the procedure described in the workshop manual, "Aventador SVJ Coupé" section:
08-Body→27-Engine Hood and Spoiler→A-Complete Engine Hood (installation).

Checking engine hood alignment

9. Check correct alignment by comparing the data gathered with those under point 1 of the preliminary operations.

If the engine hood is not aligned, follow the information contained in the workshop manual, "Aventador SVJ Coupé" section:

Chapter 08-Body, 27-Engine Hood and Spoiler, Engine Hood Adjustment.



IMPORTANT:

The documents which must be provided together with the operation under warranty request are:

- Produced Repair Order
- Saved Diagnostic Protocol

Failure to follow these procedures could lead to the request being rejected.