



R20AX

ADDITIONAL FINAL NOTICE

DATE: January 24, 2022
TO: Blue Bird Owners
Subject: Recall R20AX, FMVSS 210 Noncompliance – Installation of Seats with 3-Point Belts

According to our records, Campaigns Administration has not received confirmation that the above referenced recall, dated August 12, 2020, has been completed. A copy of Recall R20AX is attached. Your buses affected by Recall R20AX are identified by Blue Bird body number and VIN under Section 2 on the enclosed cover sheet.

If this is the first time you received notification of Recall R20AX, please read the enclosed notification carefully. Recall R20AX must be completed, as soon as possible.

Blue Bird will reimburse the labor cost of the repairs related to this recall at no cost to you the vehicle owner. The standard repair time (SRT) to accomplish these repairs in accordance with the recall procedure is outlined below with the repair options and allowable labor time per bus.

Repair Options and allowable labor times for this campaign:

- **Repair A (Inspection)**
 - 0.2 (12 minutes)
- **Repair B (Washer or Channel – As Needed)**
 - 0.2 (12 minutes)

Parts to complete Recall R20AX can be obtained from your local Blue Bird Dealer or Blue Bird Recall Administration via e-mail at campaignparts@blue-bird.com or by returning the yellow cover sheet to Blue Bird in the pink self-addressed, postage prepaid envelope to receive parts at no charge. You should retain a copy of the reply sheet for your records. Parts are currently available.

If you have already had R20AX performed on your affected buses, please complete and mail the enclosed recall yellow coversheet to us in the enclosed postage paid pink reply envelope so we may update our recall records. Be sure the reply sheet is filled out properly.

Please contact your local Blue Bird Dealer with any questions regarding this recall campaign.

Sincerely,

Lisa Hancock
Corporate Recall Administrator
Blue Bird Corporation
402 Blue Bird Blvd, Fort Valley, Georgia 31030
Phone 478.822.2242
lisa.hancock@blue-bird.com

BLUE BIRD BODY COMPANY
3920 Arkwright Road, Suite 200, Macon, GA 31210 – (478) 825-2021



R20AX

IMPORTANT SAFETY RECALL NOTICE
NHTSA Campaign Number: 20V-409 (School Bus)
NHTSA Campaign Number: 20V-407 (Non-School Bus)

DATE: August 12, 2020

SUBJECT: Recall R20AX, FMVSS 210 Noncompliance – Installation of Seats with 3-Point Belts

Dear Blue Bird Owner:

This notice is sent to you in accordance with the requirements of the National Traffic and Motor Vehicle Safety Act.

This important safety recall notice applies to your bus(es) identified by both Blue Bird Body Number and Vehicle Identification Number (VIN) on the enclosed yellow cover sheet. If you no longer own the subject bus(es), please complete the appropriate section of the yellow cover sheet and return to Blue Bird in the enclosed pink postage prepaid envelope.

Blue Bird Body Company is voluntarily recalling the following:

- Certain model year 2019 to 2021 Blue Bird Vision School Buses
 - manufactured from September 27, 2017 through July 2, 2020
- Certain model year 2018 to 2021 All American School Buses
 - manufactured from November 1, 2017 through July 3, 2020
- Certain model year 2019 to 2021 Vision Non-School Buses
 - manufactured from July 2, 2018 through June 8, 2020
- Certain model year 2019 to 2021 All American Non-School Buses
 - manufactured from June 29, 2018 through January 28, 2020

On the subject buses, it has been determined that certain Blue Bird buses could fail to conform to the Federal Motor Vehicle Safety Standard Number 210, Seat Belt Anchorages.

Blue Bird shall conduct a voluntary safety recall to correct this noncompliance. The seat installation on subject buses must be inspected and corrected according to the Blue Bird recall instructions, if found to be installed incorrectly. Blue Bird evaluated the risk to motor vehicle safety related to this noncompliance and determined that, in the event of an accident, there is an increased risk of injury in a crash to the occupant if these 3-point seat belt seats are installed incorrectly.

Corrective Action:

To correct this noncompliance, Blue Bird will notify the affected owners and will provide inspection instructions and repair instructions. Visual inspection will be required to ensure that the proper seat hardware is installed. If any components are missing, the necessary seat hardware will need to be installed according to the Blue Bird recall instructions. You may request parts at campaignparts@blue-bird.com Parts will be available August 31, 2020.

Labor Reimbursement:

Blue Bird will reimburse the labor cost of potential repairs relating to this recall at no cost to you the vehicle owner. Repair Options and allowable labor times for this campaign are outlined as follows:

- **Repair A (Inspection)**
 - 0.2 (12 minutes)
- **Repair B (Washer or Channel – As Needed)**
 - 0.2 (12 minutes)

BLUE BIRD BODY COMPANY
3920 Arkwright Road, Suite 200, Macon, GA 31210 – (478) 825-2021



BLUE BIRD

Blue Bird Body Company

Page 2

R20AX

Administering the Recall:

Blue Bird recommends that you contact your local or nearest Blue Bird Dealer to arrange for this recall to be performed. The Dealer can perform the repairs, or arrange for repairs to be performed by a service repair facility authorized by the Dealer. However, you may elect to perform this recall yourself or pay another independent repair facility to perform this recall. A qualified technician should perform this recall. If you elect to perform this recall yourself or pay another independent repair facility to perform this recall, complete and submit the Pink Owner's Recall Reply Sheet provided. The Recall Reply Sheet includes a section for the owner to request reimbursement of the owner's labor or to request reimbursement for a labor invoice paid by the owner to an independent repair facility.

Parts to complete Recall R20AX will be available August 31, 2020.

Federal law requires that any vehicle lessor receiving this recall notice must forward a copy of this notice to the lessee within ten days.

If the modifications directed by this notification were performed on your bus prior to the receipt of this recall notification, attach a copy of the work order/invoice. Mail the documents in the pink self-addressed postage prepaid envelope included with the pink reply sheet to Blue Bird for warranty consideration. Reimbursements will be made in accordance with the requirements of the National Highway Transportation Safety Act, Title 49 Code of Federal Regulations, Parts 573 and 577.

Please contact your local Blue Bird Dealer with any questions regarding this recall campaign.

If Blue Bird Body Company should fail to or is unable to remedy this condition without charge to you, you may contact:

**ADMINISTRATOR
NATIONAL HIGHWAY TRAFFIC SAFETY ADMINISTRATION
1200 NEW JERSEY AVENUE, SE
WASHINGTON, D.C. 20590**

Or, you may call The National Highway Traffic Safety Administration toll free at:
1-888-327-4236 TTY 1-800-424-9153 or go to: <http://www.safercar.gov>



RECALL

R20AX – FMVSS 210 Noncompliance – Instl. of Seats with 3-Point Belts

Models Affected: Certain 2018 through 2021 Model Year All American and Vision Buses

Issue: Certain buses may fail to conform to the Federal Motor Vehicle Safety Standard Number 210 "Seat Belt Assembly Anchorages" requirements for seats with integrated 3-point seat belts due to the omission of one of the reinforcement washers under the floor in certain areas.

Corrective Action: The seats on subject buses must be inspected and repaired by installing a washer plate, if found to be incorrect.

WARNING: Always follow all Federal, State, Local and Shop safety standards and use proper safety equipment, and thoroughly read and understand all instructions before performing these procedures. Park bus on level surface, apply parking brake, turn off ignition key, and chock wheels.

Parts/Items Needed: All seats except 45" (Based on Inspection)

Item Number	Part Number	Description	Quantity
1	10071895	Washer, Seat Belt, Underfloor Leg Attachment	(If Needed)

Inspection: All seats except 45"

1. Inspect the Seat Fastener Installation to ensure the correct seat washers are installed. Do this by visually inspecting the underside of the seat fasteners. Each seat must have a washer installed on the rear two fasteners. No washer is required on the forward seat fastener.

See Photo (1)



Photo 1-Rear Washer Missing



RECALL

R20AX – FMVSS 210 Noncompliance – Instl. of Seats with 3-Point Belts

Repair Instruction- All seats except 45”

1. Loosen the seat bolt that requires the washer addition.
2. Insert the notched washer (Photo 2) on to the fastener between the floor panel above the nut (Photo 3).
3. Torque the fastener to 26-30 ft lbs.



Photo 2-Notched Washer



Photo 3-Notched Washer Installed



RECALL

R20AX – FMVSS 210 Noncompliance – Instl. of Seats with 3-Point Belts

Parts/Items Needed: 45” Seats ONLY (Based on Inspection)

Item Number	Part Number	Description	Quantity
1	10050445	Channel, Seat, Washer, 1/2 Hole, 4 x 1.5 (45” Seat ONLY)	(If Needed)

45” Seat Inspection

1. Inspect the Seat Fastener Installation to ensure the correct seat channels are installed. Do this by visually inspecting the underside of the seat fasteners. Each seat must have a channel installed on the rear three fasteners. No channel required on the forward seat fastener. **See Image (1)**

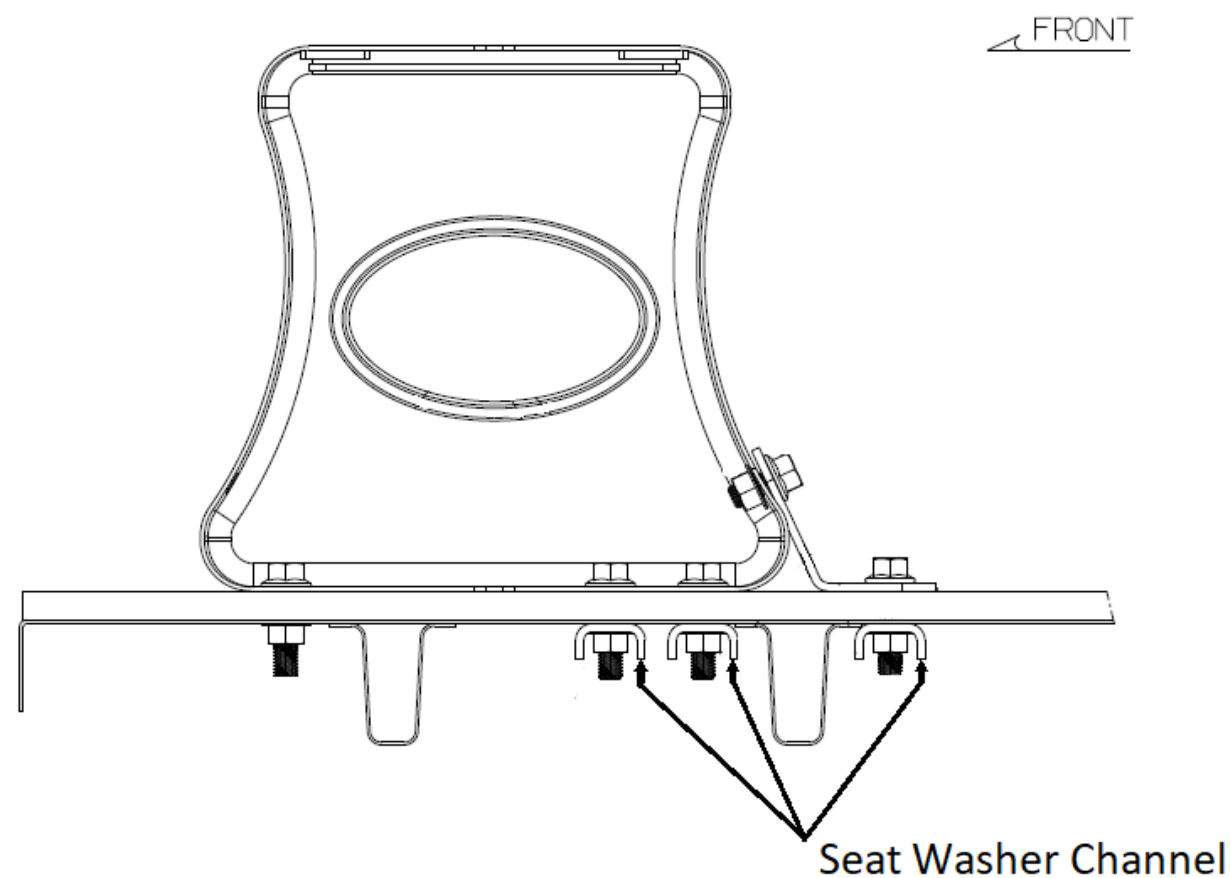


Image 1

Repair Instruction- 45” Seats ONLY

1. Loosen the seat bolt that requires the washer addition.
2. Install Channel 10050445 (See Image 1)
3. Torque the fastener to 26-30 ft lbs.