



R20AR

ADDITIONAL FINAL NOTICE

DATE: December 2, 2021
TO: Blue Bird Owners
Subject: R20AR – Air Conditioner Circuit Breaker Installation

According to our records, we have not received confirmation that the above referenced recall, dated July 7, 2020, has been completed. A copy of Recall R20AR is attached. Your buses affected by Recall R20AR are identified by Blue Bird Body Number and VIN under Section 2 on the enclosed cover sheet.

If this is the first time you received notification of Recall R20AR, please read the enclosed notification carefully. Recall R20AR must be completed, as soon as possible. To correct this potential issue, Blue Bird will provide the necessary installation instructions to inspect the circuit breaker and correct the installation, if necessary. Blue Bird will provide the replacement circuit breaker, as required in the event that the current circuit breaker shows any signs of thermal damage.

Blue Bird will reimburse the labor cost of the repairs related to this recall at no cost to the vehicle owner. The standard repair time (SRT) to accomplish these repairs in accordance with Recall R20AR remedy procedure(s) is outlined below.

Repair A: Inspection:

- 0.10 hours (6 minutes)

Repair B: Nut Addition and/or Replace Circuit Breaker (if needed):

- 0.20 hours (12 minutes)

Parts, if required, to complete Recall R20AR can be obtained as follows:

- Hardware Nut can be sourced locally
- **100-Amp Circuit Breakers must be obtained from Blue Bird Recall Administration via e-mail at campaignparts@blue-bird.com or return the yellow cover sheet to Blue Bird in the pink, self-addressed, postage prepaid envelope to receive parts at no charge.**

If you have already had R20AR performed on your affected buses, please complete and mail the enclosed recall pink reply sheet to us in the enclosed postage paid pink reply envelope so we may update our recall records. Be sure the reply sheet is filled out properly.

Questions regarding this recall campaign should be directed to me at (478) 822-2242 or campaignparts@blue-bird.com

Thank you for your prompt attention to this matter.



R20AR

IMPORTANT SAFETY RECALL NOTICE

NHTSA Recall Number: 20V-266 (School Bus)
NHTSA Recall Number: 20V-267 (Non-School Bus)

DATE: July 7, 2020

SUBJECT: R20AR – Air Conditioner Circuit Breaker Installation

Dear Blue Bird Owner:

This important safety recall notice applies to your bus(es) identified by both Blue Bird Body Number and Vehicle Identification Number (VIN) on the enclosed yellow cover sheet. If you no longer own the subject bus(es), please complete the appropriate section of the yellow cover sheet and return to Blue Bird in the enclosed pink postage prepaid envelope.

This notice is sent to you in accordance with the requirements of the National Traffic and Motor Vehicle Safety Act.

Blue Bird Body Company is voluntarily recalling the following:

- Certain model year 2020-2021 Blue Bird Vision School Buses
 - manufactured from December 7, 2018 through November 22, 2019
- Certain model year 2020-2021 Blue Bird All American School Buses
 - manufactured from December 20, 2018 through October 23, 2019
- Certain model year 2020-2021 Blue Bird Vision Non-School Buses
 - manufactured from January 9, 2019 through October 16, 2019
- Certain model year 2020-2021 Blue Bird All American Non-School Buses
 - manufactured from January 11, 2019 through October 29, 2019

On the subject buses, it has been determined that certain Blue Bird Vision and All American buses equipped with Front and Rear Bulkhead Air Conditioning systems (Options 3001401 and 3001403) that the circuit breaker may have been installed incorrectly. Blue Bird learned that this circuit breaker had been resourced by Blue Bird's distributor and was not fully vetted through Blue Bird's Production Part Approval Process (PPAP). Blue Bird has elected to conduct a voluntary safety recall to correct potential mis-installation of this new circuit breaker. Blue Bird has evaluated the risk to motor vehicle safety and determined that should the circuit breaker be installed incorrectly, a fire may occur and that could increase the risk of injury and/or damage to property.

Corrective Action:

To correct this potential issue, Blue Bird will provide the necessary installation instructions to inspect the circuit breaker and correct the installation, if necessary. Blue Bird will provide the replacement circuit breaker, as required in the event that the current circuit breaker shows any signs of thermal damage.

Blue Bird will reimburse the labor cost of the repairs related to this recall at no cost to the vehicle owner. The standard repair time (SRT) to accomplish these repairs in accordance with Recall R20AR remedy procedure(s) is outlined below.

Labor Reimbursement:

Blue Bird will reimburse the labor cost of potential repairs relating to this recall at no cost to you the vehicle owner. Repair Options and allowable labor times for this campaign are as follows:



BLUE BIRD

Blue Bird Body Company
Page 2

R20AR

Repair A: Inspection:

- 0.10 hours (6 minutes)

Repair B: Nut Addition and/or Replace Circuit Breaker (if needed):

- 0.20 hours (12 minutes)

Parts, if required, to complete Recall R20AR can be obtained as follows:

- Hardware Nut can be sourced locally
- **100-Amp Circuit Breakers must be obtained from Blue Bird Recall Administration via e-mail at campaignparts@blue-bird.com or return the yellow cover sheet to Blue Bird in the pink, self-addressed, postage prepaid envelope to receive parts at no charge.** Be sure to provide a valid shipping address as UPS does not deliver to post office boxes. You should retain a copy of the reply sheet for your records. **Parts are currently available through campaignparts@blue-bird.com**

Federal law requires that any vehicle lessor receiving this recall notice must forward a copy of this notice to the lessee within ten days.

If the modifications directed by this notification were performed on your bus prior to the receipt of this recall notification, attach a copy of the work order/invoice. Mail the documents in the pink self-addressed postage prepaid envelope included with the pink reply sheet to Blue Bird for warranty consideration. Reimbursements will be made in accordance with the requirements of the National Highway Transportation Safety Act, Title 49 Code of Federal Regulations, Parts 573 and 577.

Please contact your local Blue Bird Dealer with any questions regarding this recall campaign.

If Blue Bird Body Company should fail to or is unable to remedy this condition without charge to you, you may contact:

**ADMINISTRATOR
NATIONAL HIGHWAY TRAFFIC SAFETY ADMINISTRATION
1200 NEW JERSEY AVENUE, SE
WASHINGTON, D.C. 20590**

Or, you may call The National Highway Traffic Safety Administration toll free at:
1-888-327-4236 TTY 1-800-424-9153 or go to: <http://www.safercar.gov>



RECALL

R20AR – Air Conditioner Circuit Breaker Installation

Models Affected: Certain Model Year 2020-2021 Vision and All American Buses Equipped with Blue Bird Air Conditioner Feature Numbers 30014-01 and 30014-03

Issue: Air Conditioner 100-Amp Circuit Breakers May Have Been Installed Incorrectly

Corrective Action: Inspect 100-Amp Circuit Breakers, Per Instructions Below – If Required Add Spacer Nut Below Bus Bar – If Required Replace 100-Amp Circuit Breakers

Parts/Items Needed:

Item Number	Part Number	Description	Quantity
1	LOCAL SOURCE	1/4 X 20 NUT	2 (IF REQUIRED)
2	10023914	BREAKER,CIRC,HYD/MAG,100A MANUAL RESET	2 (IF REQUIRED)
3		PHILLIP SCREWDRIVER	TOOL
4		5/16 SOCKET	TOOL
5		7/16 SOCKET	TOOL
6		TORQUE WRENCH/DRIVER	TOOL

WARNING: Always follow all Federal, State, Local, and Shop safety standards and use proper safety equipment, and thoroughly read and understand all instructions before performing these procedures. Park bus on level surface, apply parking brake, turn off ignition key, and chock wheels.

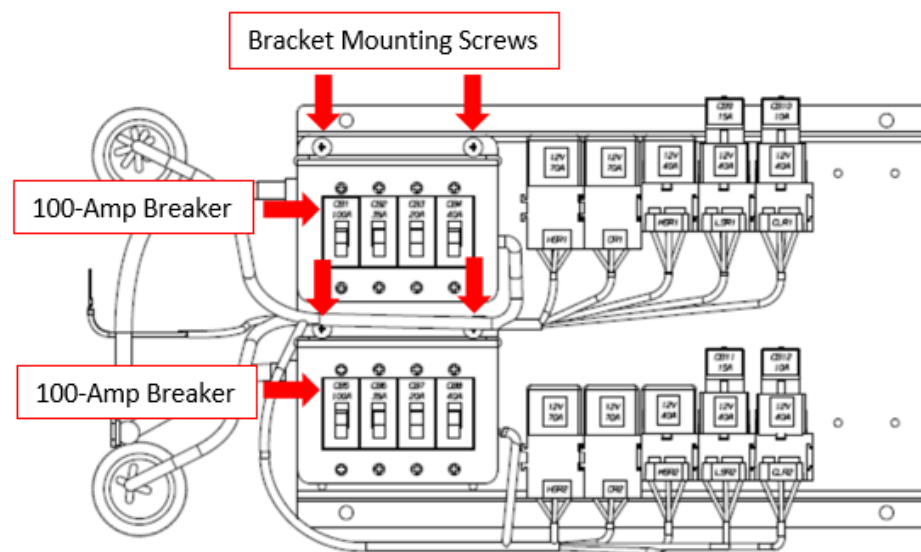
Disconnect Batteries: Note when disconnecting the batteries, **remove negative cable first**. If equipped turn off battery disconnect switch in lieu of disconnecting batteries.

Instructions:

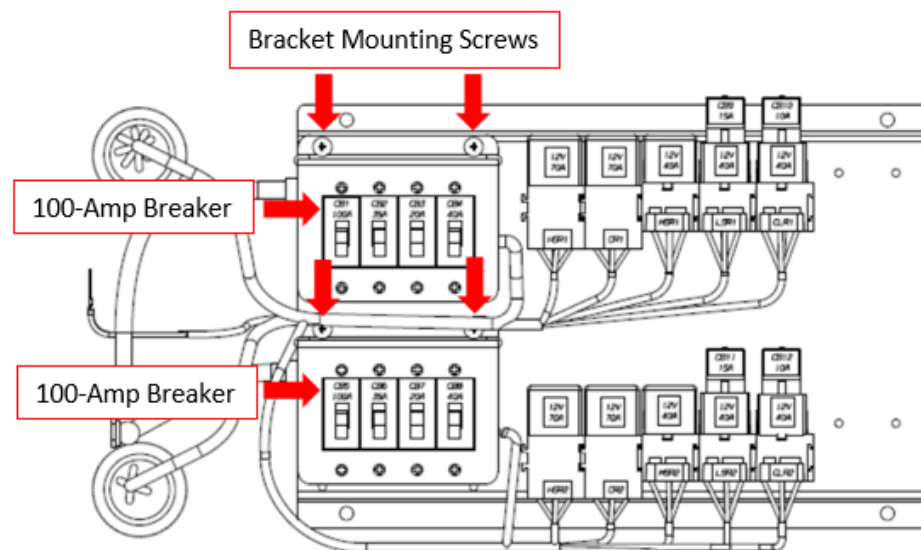
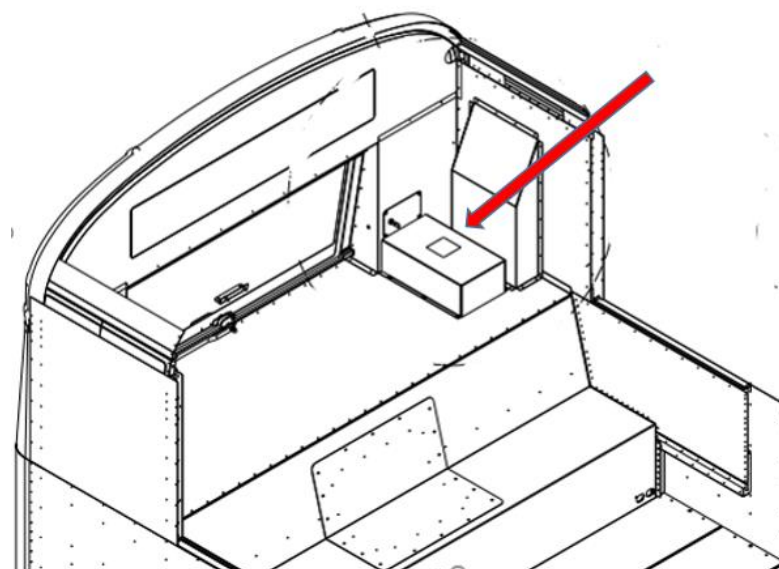
1. Locate the 100-amp air conditioner circuit breakers. Note: The 100-amp breakers are identified on the decal that is located on the inside of the air conditioner electrical compartment cover.
 - a. For Vision and Front Engine All American, the circuit breakers are in the air conditioner electrical compartment which is on the left-hand skirt panel rear of the battery compartment.



Compartment Door

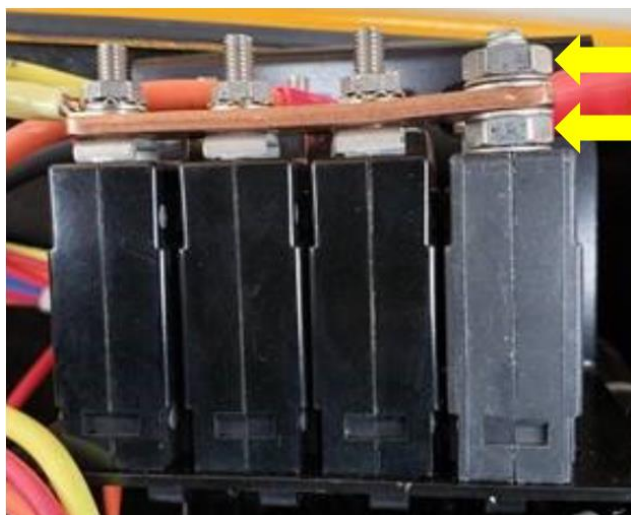


b. For Rear Engine All American, the circuit breakers are in the air conditioner electrical compartment, which is located on the rear davenport deck.



2. Visually inspect 100-amp circuit breakers for correct installation of hardware and any signs of thermal damage. As required, use a Phillips screwdriver to remove bracket mounting screws to access rear side of circuit breakers. Note: A mirror or cell phone camera can be used to visually inspect the rear side of the circuit breakers. Refer to (Photo A) on page 3 for Correct installation of hardware.

3. Refer to (Photo A) for Correct installation of hardware. If installation of hardware is correct and no visible signs of thermal damage, replace bracket mounting screws using Phillips screwdriver. Reconnect batteries or turn battery disconnect switch on if equipped, and return bus to service.



(Photo A) Correct

- a. Washers and #1/4-20 nut installed on top of the bus bar, as required.
- b. A #1/4-20 nut or spacer installed under the bus bar, as required.

4. Note: On some buses the #1/4-20 nut below the bus bar was NOT installed. Refer to (Photo B) for Incorrect installation. Add #1/4-20 nut if it was not installed. Torque #1/4-20 nut to 30-35 IN-LBS.



(Photo B) Incorrect

- c. A #1/4-20 nut or spacer was NOT installed under the bus bar, as required.

Note: Torque #10-32 nuts to 15-20 IN-LBS, if required.

5. If the 100-amp circuit breakers show any signs of thermal damage replace by removing (2) #6 machine screws that attach the breakers to the mounting bracket. Install new 100-amp circuit breaker Part #10023914 using the (2) #6 machine screws removed previously. Torque #6 machine screws to 7-9 IN-LBS. Refer to (Photo A) and insure correct installation of hardware, and replace bracket mounting screws using Phillips screwdriver. Reconnect batteries or turn battery disconnect switch on if equipped, and return bus to service.