

Vermeer MV Solutions, Inc.
 Trenchless
 Piedmont, South Carolina 29673 USA

FIELD CAMPAIGN KIT #: VMV00-0001 DATE: 7 January 2021

For Dealer Reference: Service Bulletin #SMV2021-001

Rear Extension Installation Kit

CAMPAIGN TYPE:	Mandatory – Product Safety
CAMPAIGN CATEGORY:	Kit and Bulletin

MACHINE / ATTACHMENT MODEL(S):	SERIAL NUMBERS:		Kit version
	Included	Excluded	
Vac-Tron LP873SDT	See attached listing on page 9 of this kit for specific VIN and Serial/Unit numbers.	N/A	VMV01
Vac-Tron LP873SGT			
Vac-Tron LPSGT			
Vac-Tron LPXDT			

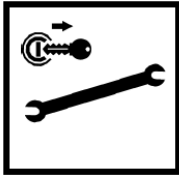


PURPOSE:

The trailers may not have an extended lower rear chassis, reducing rear impact protection and therefore not meeting U.S. Federal Motor Vehicle Standard (FMVSS) government regulation 223 for the United States. In the event of a rear impact crash, the other vehicle may travel under the rear of the vacuum excavator, increasing the risk of serious injury or death to someone in the other vehicle or to the towing vehicle occupants. Property or equipment damage may also occur.

SPECIAL TOOLS AND CONDITIONS:

- Use suitable lifting device when installing rear extension. Rear extension weight is approximately 120 lb (54.4 kg)



WARNING: Failure to use shutdown procedure can result in unexpected hazard(s). Death or serious injury could result due to entanglement, crushing, cutting, or other hazardous contact. Follow Shutdown Procedure after operating, before performing any service or maintenance, and before transporting.

Shutdown Procedure (LP Units)

STOPPING THE MACHINE

For your safety and the safety of others, follow shutdown procedure before working on the machine for any reason, including servicing, maintaining, cleaning, inspecting, unclogging, or transporting machine, or as otherwise directed in operator's manual.

Step 1: Make sure end of vacuum hose is clear of all spoils, debris, and other materials.

Step 2: Turn *Water Pump Switch* to OFF.

Step 3: Push Throttle Switch to SLOW. Idle engine five minutes to allow vacuum pump to cool down. This helps to prevent the buildup of condensation.

Step 4: Turn *Key Switch* to OFF to shut off engine. Remove key.

Step 5: Pull trigger on any high-pressure water tool to relieve line pressure.



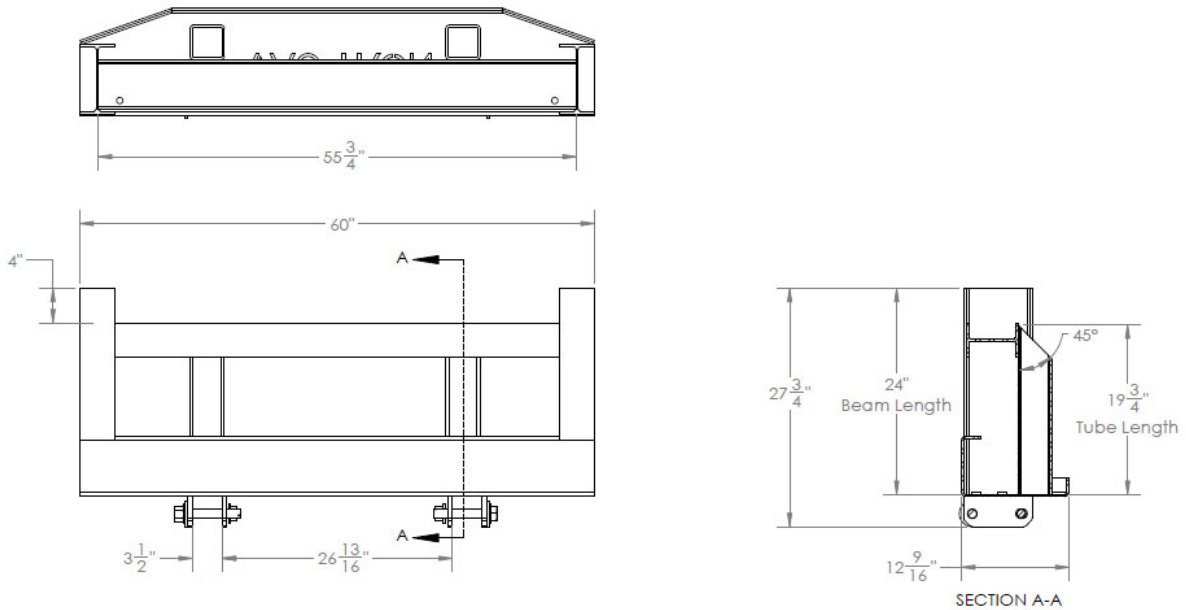
WARNING: Do not point high-pressure water tool in the direction of people when relieving the pressure.



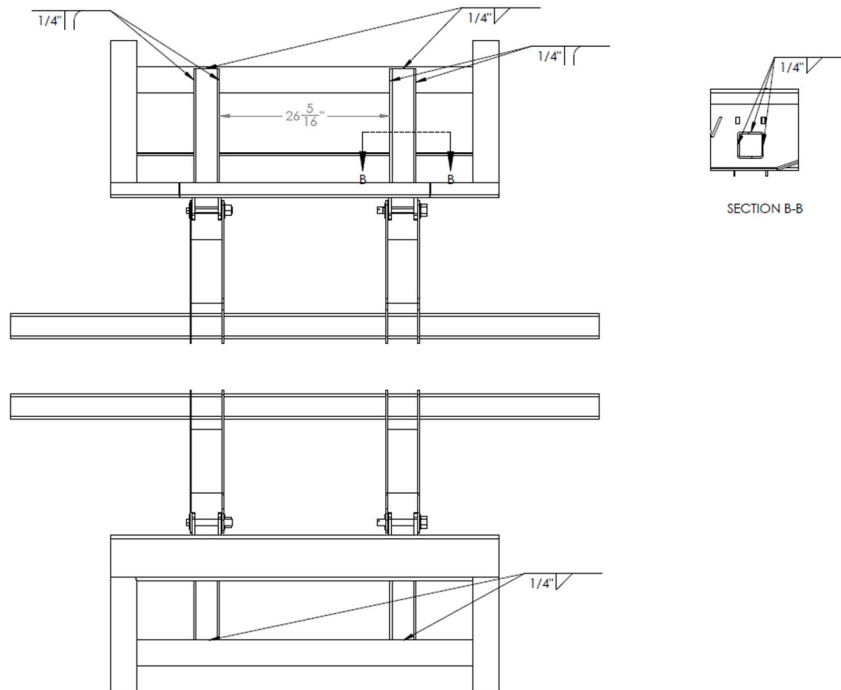
WARNING: Always wear safety glasses and safety shoes. Some working conditions and regulations may require the use of other appropriate PPE, such as hearing protection, hard hat, gloves, face shield, or any other PPE necessary to provide proper safety protection for the work being performed.

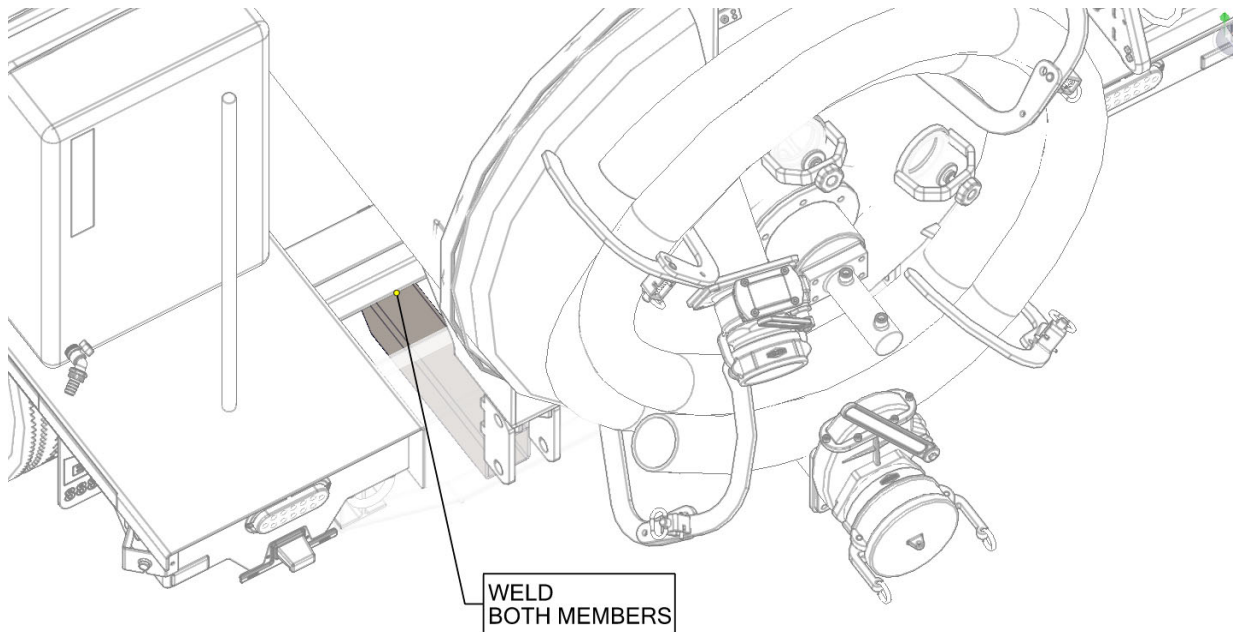
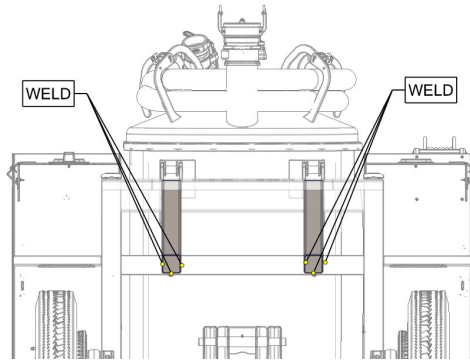
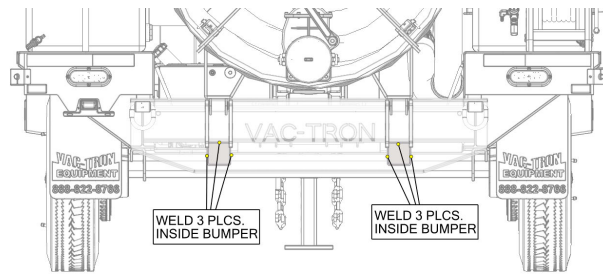
Procedure 1: Weld Supports

1. Refer to Figure 1 for parts list.
2. Grind off the paint and rust where the cross members provided are to be installed. Refer to the figure in Step 3.
3. Position the reinforcement members **(1)** as indicated below.

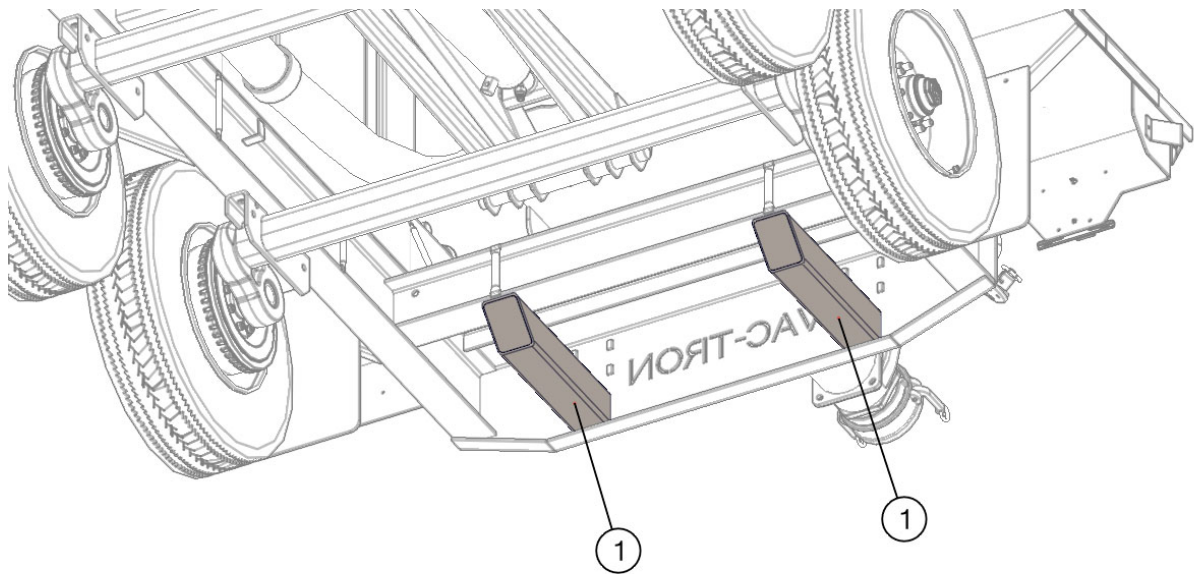


4. Place 1/4" [6 mm] fillet welds as indicated.





5. Remove any damaged paint down to the base metal. Repaint the affected areas as needed.

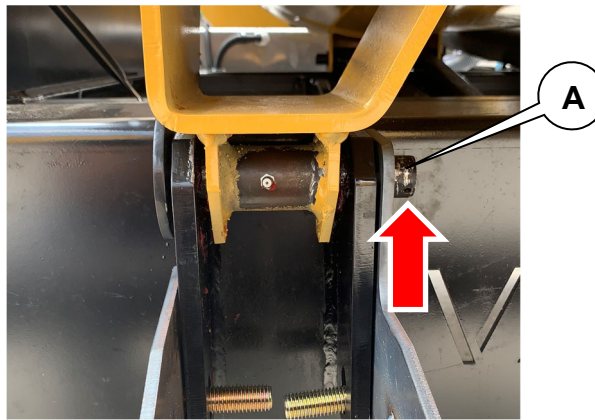


PROCEDURE 2:

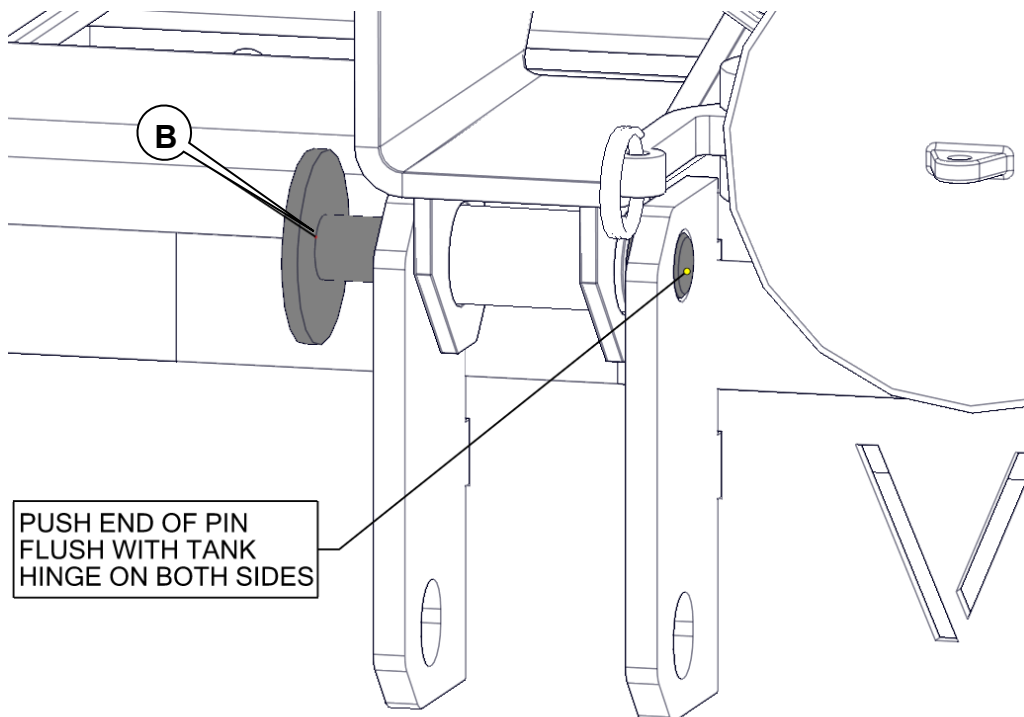


WARNING: Raised load can shift or fall. Death or serious injury could be possible if struck or crushed by falling load. Never allow anyone under a raised load unless load is securely supported to prevent it from shifting or falling.

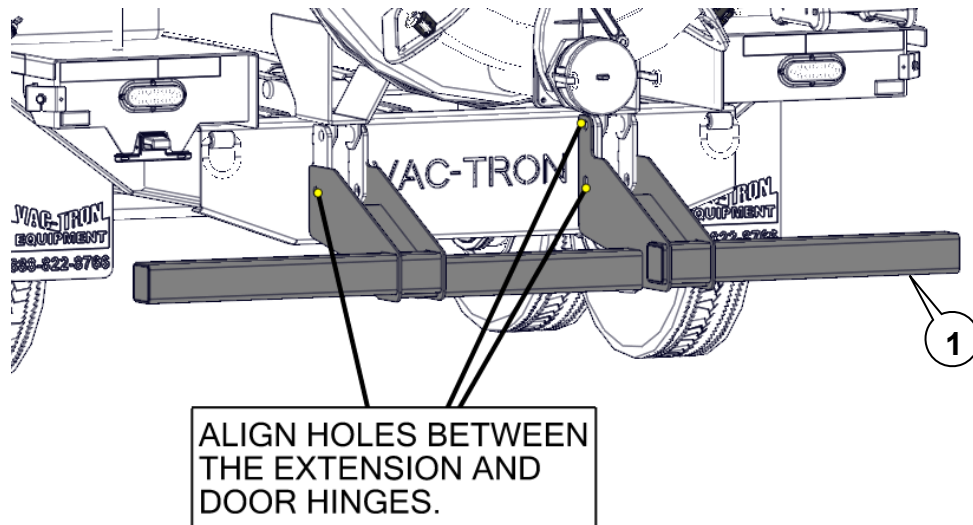
1. Refer to Figure 2 for parts list.
2. Ensure the debris tank is empty. Using suitable blocking, block debris tank to prevent shifting. Debris tank weighs approximately 1,000 lb.
3. Remove the cotter pin on both sides **(A)**.



4. Push the headed pins out to be flush with the inner side of the tank hinges. Be careful not to push the pins through the hinges.

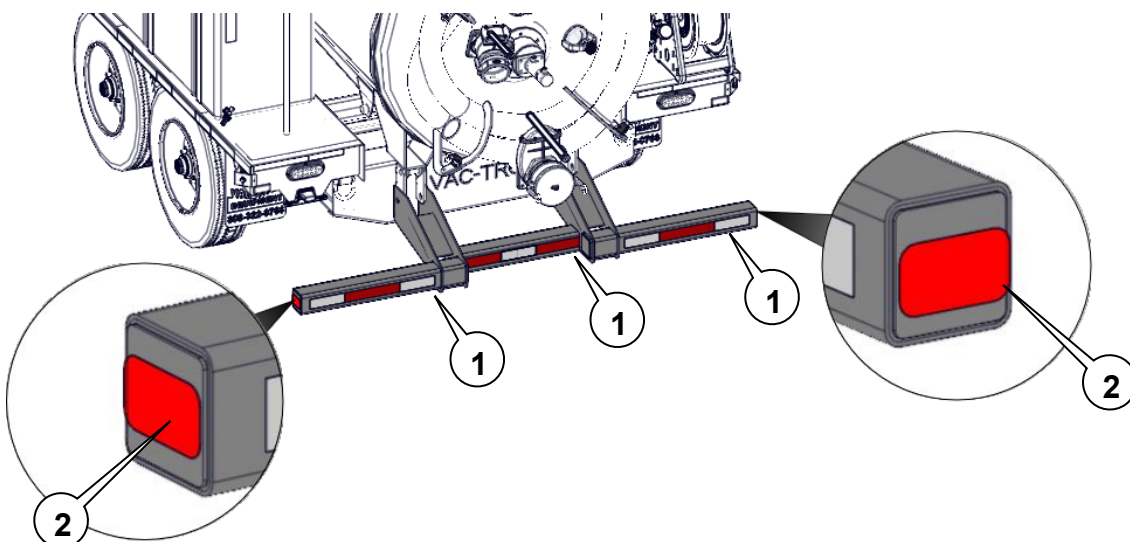


5. Use a suitable lifting device when installing the extension. Extension weight is approximately 120 lb.
6. Raise the extension (1) into position. Push the headed pins (B) back into position and reinstall the cotter pins (A). Install the fastening hardware.

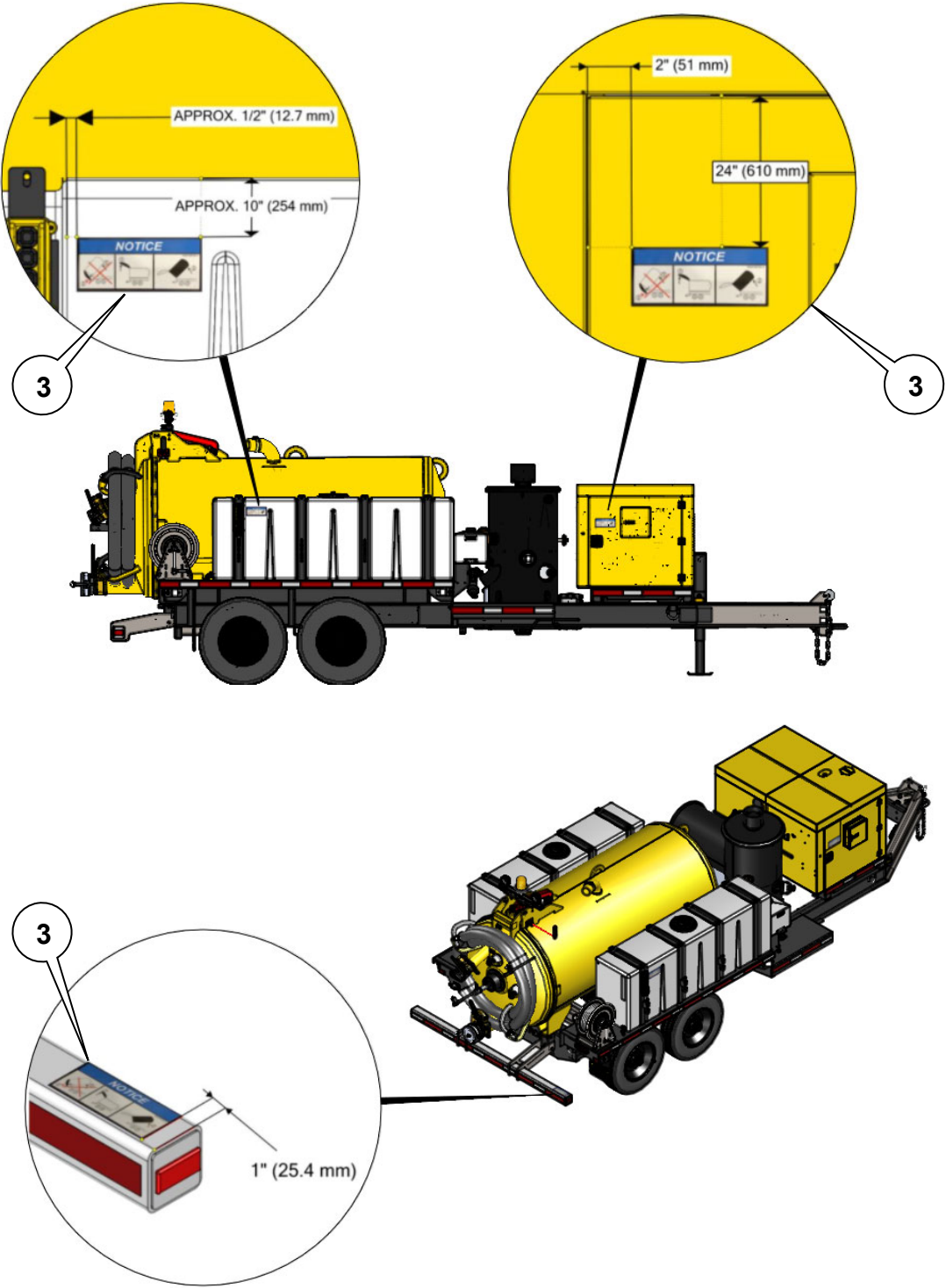


PROCEDURE 3:

1. Refer to Figure 3 for parts list.
2. Clean areas where the conspicuity tape, decals, and reflectors will be applied with light soap and water and allow to dry thoroughly.
3. Apply the conspicuity tape (1) and reflectors (2) as shown. Trim excess tape length if needed.



4. Place one decal (3) on the curb side water tank, one decal on the curb side engine enclosure, and one decal on the top side of the rear extension as shown.



AFFECTED MACHINES - VMV01-0001

MODEL	VIN	SERIAL/UNIT	MODEL	VIN	SERIAL/UNIT
LP873SGT	5HZBF1922GLBG2108	161047	LP873XDT	5HZBF1922HLBH2123	171089
LP873SGT	5HZBF1924JLJF2219	181452	LP873XDT	5HZBF1929GLDG2127	161108
LP873SGT	5HZBF1929FLGF2138	151172	LP873XDT	5HZBF1921HLKH2212	171438
LP873SGT	5HZBF1928HLGH2173	171232	LP873XDT	5HZBF1923HLLH2232	171536
LP873SGT	5HZBF192XHLGH2174	171233	LPSGT	5HZH19224KK002006	191307
LP873SGT	5HZBF1925HLGH2177	171293	LPSGT	5HZH192226KK002007	191308
LP873SGT	5HZBF1924GLHG2161	161244	LPSGT	5HZH192228KK002008	191309
LP873SGT	5HZBF1926GLHG2162	161245	LPSGT	5HZH1922XKK002009	191310
LP873SGT	5HZBF1928GLHG2163	161263	LPSGT	5HZH192226KK002010	191335
LP873SGT	5HZBF1924GLJG2169	161275	LPSGT	5HZH192225KK002015	191392
LP873SGT	5HZBF1920GLJG2170	161276	LPSGT	5HZH192223LK002032	191679
LP873SGT	5HZBF1924GLJG2172	161282	LPSGT	5HZH192221LK002045	191804
LP873SGT	5HZBF1928GLJG2174	161296	LPXDT	5HZJ19234KK002016	191402
LP873SGT	5HZBF1923HLJH2208	171442	LPXDT	5HZJ19236KK002017	191403
LP873SGT	5HZBF192XGLLG2182	161333	LPXDT	5HZJ19231KK002023	191426
LP873XDT	5HZJ1923XLK002085	191764	LPXDT	5HZJ19235LK002088	191765
LP873XDT	5HZJ19235LK002088	191765	LPXDT	5HZJ1923XLK002104	191801
LP873XDT	5HZBF1929GLAG2104	161051	LPXDT	5HZJ19233LK002137	191802
			LPXDT	5HZJ19239LK002143	200035

Figure 1

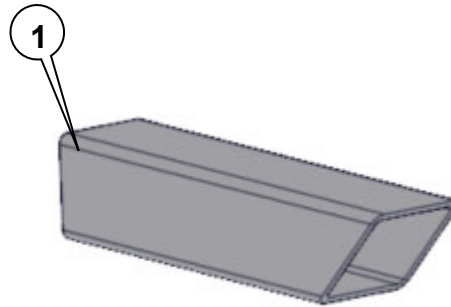


FIGURE 1 Parts List			
REF. NO.	PART NO.	DESCRIPTION	VVK01 QTY.
1	S400-5761	REINF. MEMBER	2

VMV01 includes all items from Figure 1 parts list.

Figure 2

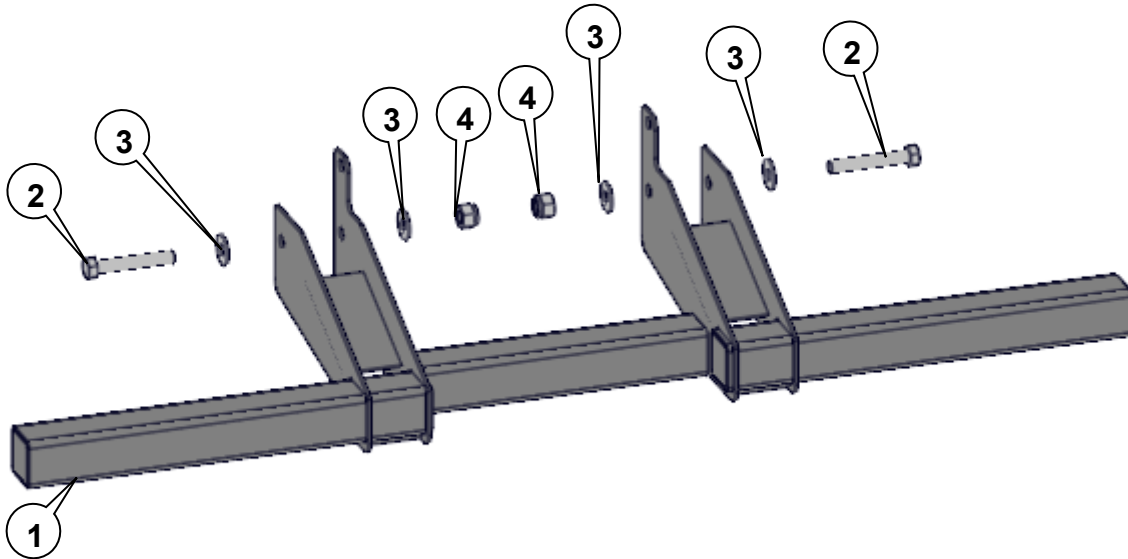


FIGURE 2 Parts List			
REF. NO.	PART NO.	DESCRIPTION	VVK01 QTY.
1	135500205	REAR EXTENSION	1
2	135500218	1-8 X 6-1/2 HEX BOLT	2
3	P-3827	1 ID FLAT WASHER	4
4	P-2626	1-8 PREVAILING TORQUE NUT	2

VMV01 includes all items from Figure 2 parts list.

Figure 3

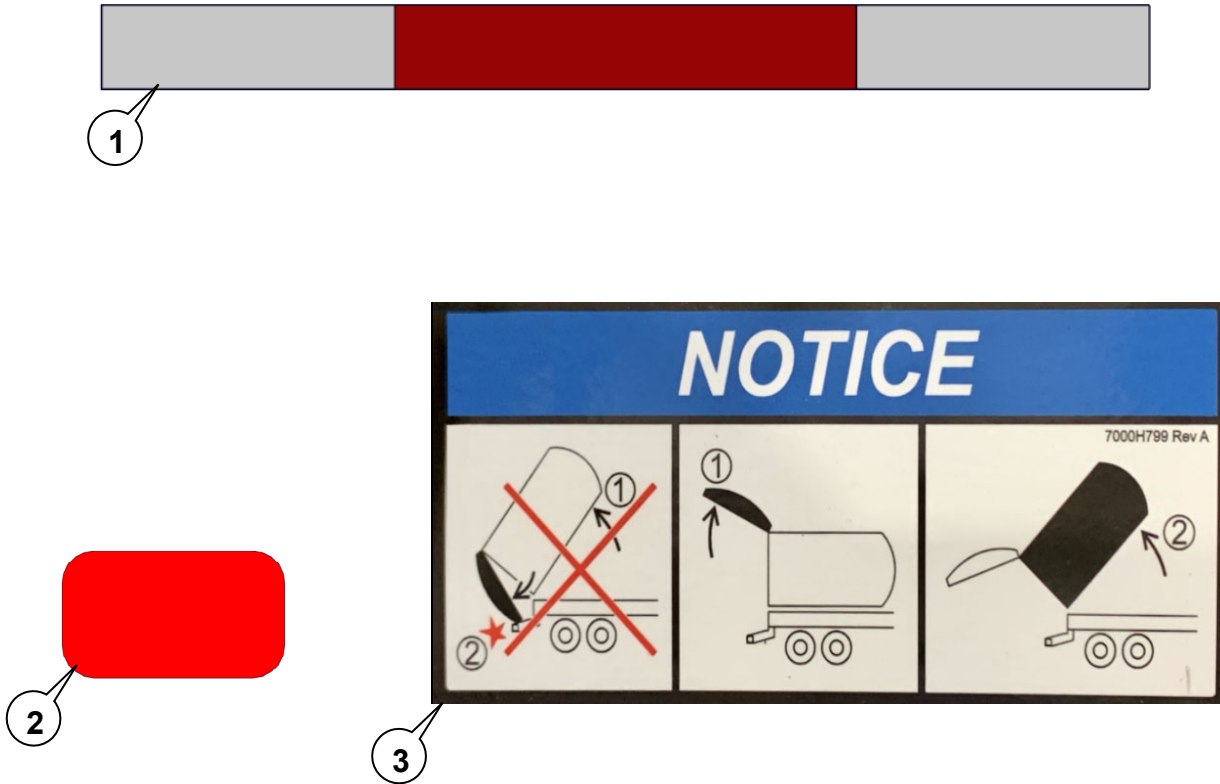


FIGURE 3 Parts List			
REF. NO.	PART NO.	DESCRIPTION	VVK01 QTY.
1	P-0485	25" LENGTH 2" WIDE CONSPICUITY TAPE	1
2	135500470	RED REFLECTIVE STICKER	2
3	7000H799	DEBRIS TANK DOOR NOTICE 3" X 7"	3

VMV01 includes all items from Figure 3 parts list.