

October 2020  
FL861AB  
NHTSA #20V-529

## Subject: FCCC Motorhome Valve Stem Stabilizers

**Models Affected: Specific Model Years 2017 - 2020 FCCC MC, XCL, XCM, XCR, and XCS chassis manufactured February 20, 2017, through August 15, 2020, and equipped with a valve stem extension and stabilizer configured with a specific tire valve stem and wheel combination.**

### General Information

Daimler Trucks North America LLC (DTNA), and its wholly owned subsidiary, Freightliner Custom Chassis Corporation, has decided that a defect that relates to motor vehicle safety exists on the vehicles mentioned above.

Certain chassis may have been built with the tire valve stem extension for the inner wheel contacting the outer wheel rim opening, potentially damaging the valve stem resulting in a loss of air pressure in the inner tire. A loss of air pressure in the inner tire on a motorhome with a single drive axle may overload the outer tire and increase the risk of a crash.

The inner wheel valve stem stabilizers will be inspected and adjusted as needed. If the adjustment does not resolve the issue then the inner valve stem will be replaced. Repairs will be performed by Daimler Trucks North America authorized service facilities.

There are approximately 10,300 vehicles involved in this campaign.

#### Additional Repairs

Dealers must complete all outstanding Recall and Field Service campaigns prior to the sale or delivery of a vehicle. A Dealer will be liable for any progressive damage that results from its failure to complete campaigns before sale or delivery of a vehicle.

Owners may be liable for any progressive damage that results from failure to complete campaigns within a reasonable time after receiving notification.

### Work Instructions

Please refer to the attached work instructions. Prior to performing the campaign, check the vehicle for a completion sticker (Form WAR260).

### Replacement Parts

Replacement parts are now available and can be obtained by ordering the kit and/or part number(s) listed below from your facing Parts Distribution Center.

If our records show your dealership has ordered any vehicle(s) involved in campaign number FL861, a list of the customers and vehicle identification numbers will be available on DTNAConnect. Please refer to this list when ordering parts for this recall.

**Table 1** - Replacement Parts for FL861

Campaign Number	Part Description	Part Number	Qty. per Valve Stem
FL861AB	VALVE STEM-31 DEG	13-10027-000	1 ea
	STABILIZER-VALVE	13-10026-000	1 ea
	EXTENSION, VALVE	13-10232-000	1 ea
	BLANK COMPLETION STICKER	WAR260	1 ea

**Table 1**

October 2020  
FL861AB  
NHTSA #20V-529

**Removed Parts**

U.S. and Canadian Dealers, please follow Warranty Failed Parts Tracking shipping instructions for the disposition of all removed parts. Export distributors, please destroy removed parts unless otherwise advised.

**Labor Allowance**

**Table 2** - Labor Allowance

Campaign Number	Procedure	Time Allowed (hours)	SRT Code	Corrective Action
FL861AB	Inspect both valve stems	0.1	996-R114A	06-Inspect
	Inspect both valve stems and adjust one or both valve stems	0.3	996-R114B	12-Repair Recall/Campaign
	Inspect both valve stems, adjust one or both valve stems, and R/R one valve stem	1.5	996-R114C	
	Inspect both valve stems, adjust one or both valve stems, and R/R both valve stems	2.2	996-R114D	
	Buff scratches on one wheel	0.3	996-R114E	

**Table 2**

**IMPORTANT:** When the Recall has been completed, locate the base completion label in the appropriate location on the vehicle, and attach the red completion sticker provided in the recall kit (Form WAR260). If the vehicle does not have a base completion label, clean a spot on the appropriate location of the vehicle and first attach the base completion label (Form WAR259). If a recall kit is not required or there is no completion sticker in the kit, write the recall number on a blank sticker and attach it to the base completion label.

**Claims for Credit**

You will be reimbursed for your parts, labor, and handling (landed cost for Export Distributors) by submitting your claim through the Warranty system within 30 days of completing this campaign. Please reference the following information in OWL:

- Claim type is **Recall Campaign**.
- In the Campaign field, enter the campaign number and appropriate condition code (**FL861-A, or FL861-B**).
- In the Primary Failed Part Number field, enter **25-FL861-000**.
- In the Parts field, enter the appropriate kit or part number(s) as shown in the Replacement Parts Table.
- In all cases where a wheel may need to be replaced, a WSC ticket with photos attached, will need to be submitted and then a decision to replace or not will be made.
- In the Labor field, first enter the appropriate SRT from the Labor Allowance Table. Administrative time will be included automatically as SRT 939-6010A for 0.4 hours for RVs or 0.3 hours for all other vehicles.
- The VMRS Component Code is **F99-999-005** and the Cause Code is **A1 - Campaign**.
- **U.S. and Canada -- Reimbursement for Prior Repairs.** When a customer asks about reimbursement, please do the following:
  - Accept the documentation of the previous repair.
  - Make a brief check of the customer’s paperwork to see if the repair may be eligible for reimbursement. (See the "Copy of Owner Letter" section of this bulletin for reimbursement guidelines.)
  - Submit an OWL Recall Pre-Approval Request for a decision.
  - Include the approved amount on your claim in the Other Charges section.

October 2020  
FL861AB  
NHTSA #20V-529

- Attach the documentation to the pre-approval request.
- If approved, submit a based on claim for the pre-approval.
- Reimburse the customer the appropriate amount.

**IMPORTANT:** OWL must be viewed prior to performing the recall to ensure the vehicle is involved and the campaign has not been previously completed. Also, check for a completion sticker prior to beginning work.

U.S. and Canadian dealers, contact the Warranty Campaigns Department via Web inquiry at [DTNACconnect.com](http://DTNACconnect.com) / WSC, if you have any questions or need additional information. Export distributors, submit a Web inquiry or contact your International Service Manager.

U.S. and Canadian Dealers: To return excess kit inventory related to this campaign, U.S. dealers must submit a Parts Authorization Return (PAR) to the Memphis PDC. Canadian dealers must submit a PAR to their facing PDC. All kits must be in resalable condition. PAR requests must include the original purchase invoice number. Export Distributors: Excess inventory may be returned as noted for U.S. and Canadian dealers. Export locations will pay freight to return kits. Export Distributors: Excess inventory is not returnable.

The letter notifying U.S. and Canadian vehicle owners is included for your reference.

Please note that the National Traffic and Motor Vehicle Safety Act, as amended (Title 49, United States Code, Chapter 301), requires the owner's vehicle(s) be corrected within a reasonable time after parts are available to you. The Act states that failure to repair a vehicle within 60 days after tender for repair shall be prima facie evidence of an unreasonable time. However, circumstances of a particular situation may reduce the 60 day period. Failure to repair a vehicle within a reasonable time can result in either the obligation to (a) replace the vehicle with an identical or reasonably equivalent vehicle, without charge, or (b) refund the purchase price in full, less a reasonable allowance for depreciation. The Act further prohibits dealers from selling a vehicle unless all outstanding recalls are performed. Any lessor is required to send a copy of the recall notification to the lessee within 10 days. Any subsequent stage manufacturer is required to forward this notice to its distributors and retail outlets within five working days.

October 2020  
FL861AB  
NHTSA #20V-529

## Copy of Notice to Owners

**Subject: FCCC Motorhome Valve Stem Stabilizers**

This notice is sent to you in accordance with the National Traffic and Motor Vehicle Safety Act.

Daimler Trucks North America LLC (DTNA), and its wholly owned subsidiary, Freightliner Custom Chassis Corporation, has decided that a defect which relates to motor vehicle safety exists on specific Model Years 2017 - 2020 FCCC MC, XCL, XCM, XCR, and XCS chassis manufactured February 20, 2017, through August 15, 2020, and equipped with a valve stem extension and stabilizer configured with a specific tire valve stem and wheel combination.

Certain chassis may have been built with the tire valve stem extension for the inner wheel contacting the outer wheel rim opening, potentially damaging the valve stem resulting in a loss of air pressure in the inner tire. A loss of air pressure in the inner tire on a motorhome with a single drive axle may overload the outer tire and increase the risk of a crash.

The inner wheel valve stem stabilizers will be inspected and adjusted as needed. If the adjustment does not resolve the issue then the inner valve stem will be replaced. Repairs will be performed by Daimler Trucks North America authorized service facilities.

Please contact an authorized Daimler Trucks North America dealer to arrange to have the Recall performed and to ensure that parts are available at the dealership. To locate an authorized dealer, go to [www.Daimler-TrucksNorthAmerica.com](http://www.Daimler-TrucksNorthAmerica.com). On the menu tab, select "Contact," scroll down to "Find a Dealer," and select the appropriate brand. The Recall will take approximately one hour and will be performed at no charge to you. You may also confirm your vehicle's involvement in this recall at this URL: <https://dtna-dlrinfo.prd.freightliner.com:48518/VinLookup/vin-module/getVinLookupPage>.

You may be liable for any progressive damage that results from your failure to complete the Recall within a reasonable time after receiving notification.

If you do not own the vehicle that corresponds to the identification number(s) which appears on the Recall Notification, please return the notification to the Warranty Campaigns Department with any information you can furnish that will assist us in locating the present owner. If you have leased this vehicle, Federal law requires that you forward this notice to the lessee within 10 days. If you are a subsequent stage manufacturer, Federal law requires that you forward this notice to your distributors and retail outlets within five working days. If you have paid to have this recall condition corrected prior to this notice, you may be eligible to receive reimbursement. Please see the reverse side of this notice for details.

If you have questions about this Recall, please contact the Warranty Campaigns Department at (800) 547-0712, 7:00 a.m. to 4:00 p.m. Pacific Time, Monday through Friday, e-mail address [DTNA.Warranty.Campaigns@Daimler.com](mailto:DTNA.Warranty.Campaigns@Daimler.com). If you are not able to have the defect remedied without charge and within a reasonable time, you may wish to submit a complaint to the Administrator, National Highway Traffic Safety Administration, 1200 New Jersey Avenue, SE., Washington, DC 20590; or call the Vehicle Safety Hotline at (888) 327-4236 (TTY: 800-424-9153); or to <http://www.safercar.gov>.

We regret any inconvenience this action may cause but feel certain you understand our interest in motor vehicle safety.

WARRANTY CAMPAIGNS DEPARTMENT

Enclosure

October 2020  
FL861AB  
NHTSA #20V-529

## **Reimbursement to Customers for Repairs Performed Prior to Recall**

If you have already **paid** to have this recall condition corrected you may be eligible to receive reimbursement.

Requests for reimbursement may include parts and labor. Reimbursement may be limited to the amount the repair would have cost if completed by an authorized Daimler Trucks North America LLC dealer. The following documentation must be presented to your dealer for consideration for reimbursement.

Please provide original or clear copies of all receipts, invoices, and repair orders that show:

- The name and address of the person who paid for the repair
- The Vehicle Identification Number (VIN) of the vehicle that was repaired
- What problem occurred, what repair was done, when the repair was done
- Who repaired the vehicle
- The total cost of the repair expense that is being claimed
- Proof of payment for the repair (such as the front and back of a cancelled check or a credit card receipt)

Reimbursement will be made by check from your Daimler Trucks North America LLC dealer.

Please speak with your Daimler Trucks North America LLC authorized dealer concerning this matter.

October 2020  
CAMPAIGN FL861AB  
NHTSA #20V-529

## Work Instructions

### Subject: FCCC Motorhome Valve Stem Stabilizers

**Models Affected: Specific Model Years 2017 - 2020 FCCC MC, XCL, XCM, XCR, and XCS chassis manufactured February 20, 2017, through August 15, 2020, and equipped with a valve stem extension and stabilizer configured with a specific tire valve stem and wheel combination.**

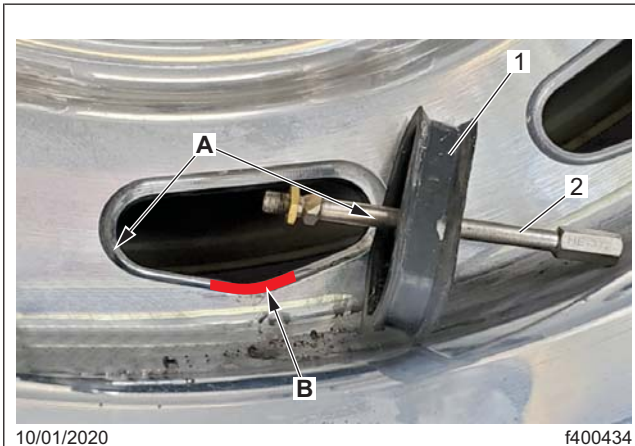
## Replacing the Inner-Wheel Valve Stem Extension

**IMPORTANT:** In all cases where a wheel may need to be replaced, a WSC ticket with photos attached, will need to be submitted and then a decision to replace or not will be made.

1. Check the base label (Form WAR259) for a completion sticker for FL861 (Form WAR260) indicating this work has been done. The base label is usually located on the front wall under the dash. If a sticker is present, no work is needed. If there is no sticker, proceed with the next step.
2. Park the vehicle on a level surface, shut down the engine, and set the parking brake. Chock the tires.
3. Locate each drive-axle inner-wheel valve stem extension. See [Fig. 1](#).
4. Inspect the valve stem extensions for rubbing on the outer wheel rim opening on both drive axle wheels. Also inspect the valve stem stabilizer, which may be dislodged from the wheel rim opening.
5. If the valve stem extension is rubbing the side of the wheel opening, shown in [Fig. 1](#), reference A, gently swivel the inner valve stem so that it aligns with the center of the wheel rim opening. The valve stem should swivel with little resistance.
6. If the inner-wheel valve stem extension is rubbing at the top of the wheel rim opening, shown in [Fig. 1](#), reference B, or if the valve stem stabilizer is dislodged, remove the stabilizer and inner-wheel valve stem extension. Slide a small diameter tube over the end of the valve stem, then gently adjust the angle of the inner-wheel valve stem by bending it so that it aligns with the center of the wheel rim opening. If adjusting the inner-wheel valve stem resolves the issue, go to step 10.

October 2020  
CAMPAIGN FL861AB  
NHTSA #20V-529

If the bend requires more than a few degrees, replace the inner-wheel valve stem using part number 13-10027-000 (574-F29). See [Fig. 1](#) and [Fig. 2](#).



Due to the rotation of the wheel, the 'top' of the wheel rim opening is reversed and appears at the bottom in this photo.

- A. If the valve stem extension is rubbing the side of the wheel rim opening, gently swivel the inner valve stem so that it aligns with the center of the wheel rim opening.
- B. If the inner-wheel valve stem extension is rubbing at the top of the wheel rim opening (shown here at the bottom of the wheel rim opening due to the rotation of the wheel in the photo), or if the valve stem stabilizer is dislodged, remove the stabilizer and inner valve stem extension.

- 1. Valve Stem Stabilizer
- 2. Inner-Wheel Valve Stem Extension

**Fig. 1, Valve Stem with Stabilizer**



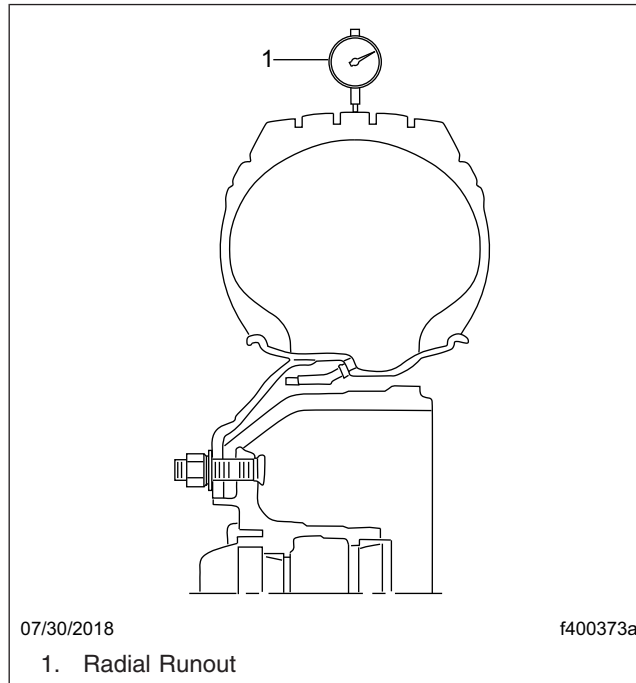
- 1. Valve Stem
- 2. Clamping Nut

**Fig. 2, Clamping Nut**

**NOTE:** If there was any adjustment of the inner-wheel valve stem, verify that there is no air leak at the valve stem base or the clamping nut. See [Fig. 2](#). If needed, tighten the clamping nut 35 to 55 lbf-in (395 to 621 N-cm).

October 2020  
CAMPAIGN FL861AB  
NHTSA #20V-529

- Using a tire runout gauge, check the radial runout and record it for later use. See [Fig. 3](#).



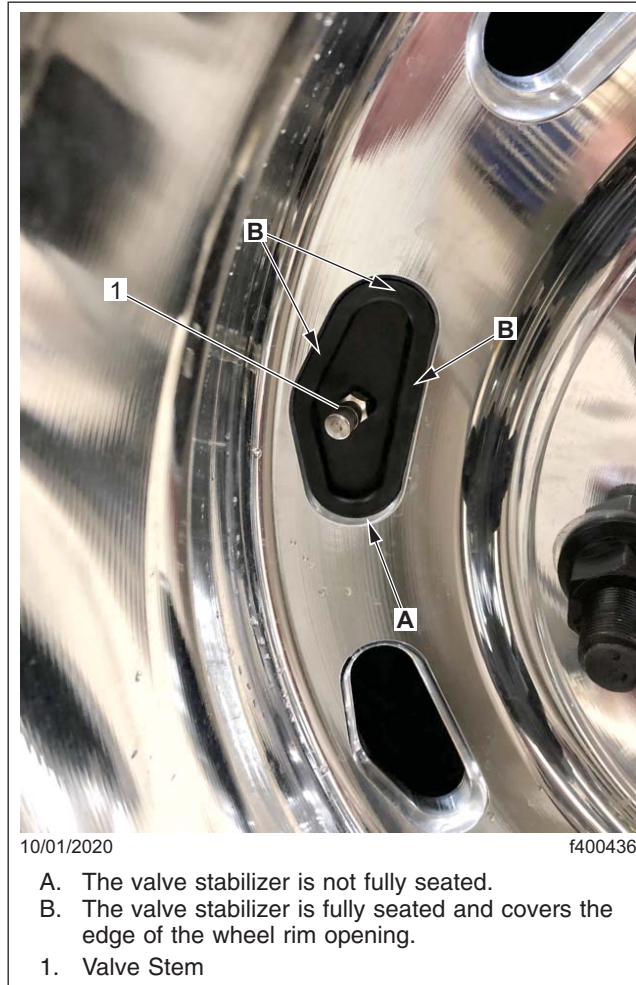
**Fig. 3, Radial Runout Check for Tires**

- Remove the wheel and valve stem extension, then replace the valve stem.
- Using a tire runout gauge, measure and record the radial runout of the tire and wheel assembly. Mark the highest point on the tire and wheel assembly. Rotate the tire and wheel assembly until the high spot is at the 12 o'clock position (without allowing the assembly to turn). Loosen all lug nuts to let the assembly settle, then tighten the lug nuts in the proper sequence. See **Group 40** of the *Recreational Vehicle Maintenance Manual* for the tightening sequence. The radial runout should be very close to what was recorded earlier.



October 2020  
CAMPAIGN FL861AB  
NHTSA #20V-529

10. Install the valve stem extension and stabilizer. Spraying water around the outer lip of the stabilizer will make the installation easier. Ensure that the stabilizer is fully seated in the wheel rim opening. See **Fig. 4**.



**Fig. 4,**

11. Clean a spot on the base label (Form WAR259). Write the recall number, FL861, on a completion sticker (Form WAR260), and attach it to the base label to indicate this recall has been completed.