

TECHNICAL BULLETIN

To: **VB-dealers**

CC:

From: **VB-Airsuspension**

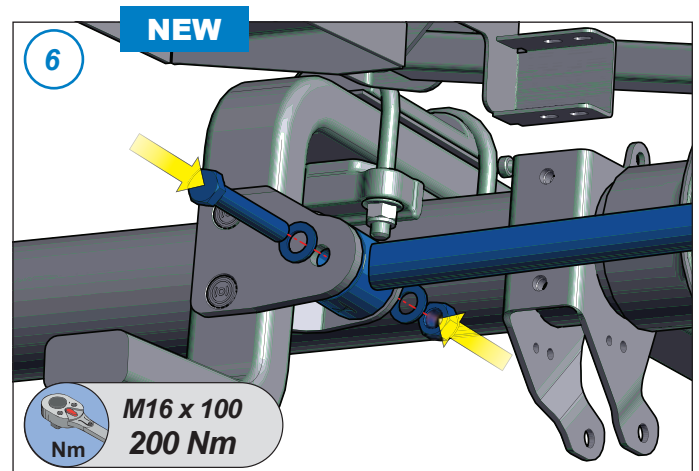
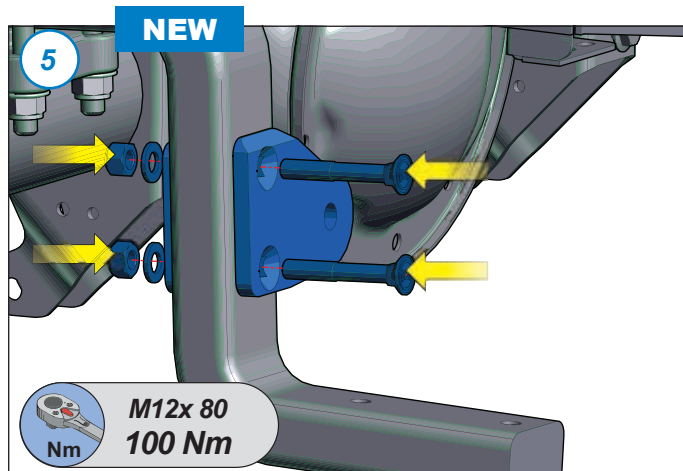
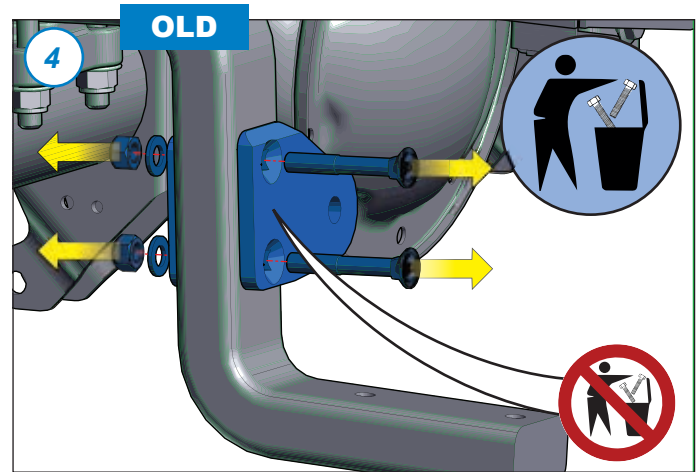
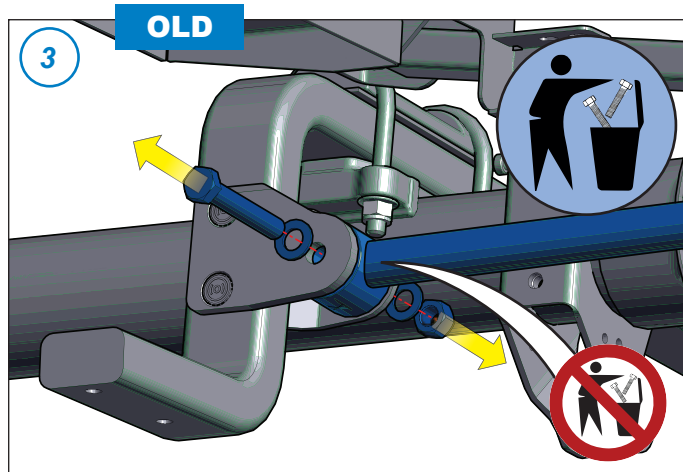
Re:
Replacing the panhard rod ball-joint bracket bolts.

First note:

Picture 1: "wrong plough bolt type" Please exchange and discard. Fit new locking nuts and take notice of assembly instructions.



Picture 2: "Correct plough bolt type". No further action needed.



Bulletin number:
VBA-TB2020-003-ALL



Revision:
V1.0

Date of issue:
30-06-2020

Written by:
RoBo