

**ALA5 - Checking ATF Oil Line on Tiptronic Transmission and Replacing if Necessary (Stop Delivery/Recall Campaign)**

Vehicle Type: **Cayenne (9YA)  
Cayenne Coupé (9YB)**

Model Year: **2020**

Subject: **ATF oil line between Tiptronic transmission and ATF cooler**

Information: **Due to an incorrect material pairing used by a supplier, the friction weld between the connection and pipe on an oil line of the Tiptronic transmission may not have been carried out in accordance with specifications.**

If this is the case, fluid leaks can occur between the connection and pipe.  
Leaking ATF can pose a danger to the following traffic while driving.

Remedial Action:

- Checking production date of ATF oil line
- Depending on the result of the check, replace the ATF oil line

Affected Vehicles: Only for vehicles assigned to the campaign (see also PIWIS Vehicle Information). This campaign affects 1,805 vehicles in North America.

Installation  
Position:



*Installation position of ATF line*

**1** – ATF line (checking and replacing if necessary)

### Required parts and materials

Parts Info: **No parts are required for checking** the ATF oil line.

Parts required for **replacing** the ATF oil line, **depending on the result of the check**:

Part No.	Designation – Use	Qty.
PAB317801C	⇒ ATF oil line – Tiptronic transmission	1 ea.
PAB32154900	⇒ Oil filler screw, M22 x 1.5 – Tiptronic transmission	1 ea.

Materials: **No materials are required for checking** the ATF oil line.

**Materials required for replacing the ATF oil line** (usually already available at the Porsche dealer):

Part No.	Designation – Use	Qty.
00004321054	⇒ ATF Shell L12108, 1-liter container – Tiptronic transmission	As much as required (approx. 0.5 liter required per vehicle)

### Required tools

- Tools:
- Torque screwdriver, 1.5–3 Nm (1–2 ftlb.), e.g. **VAS 6494 Torque screwdriver, 1.5-3.0 Nm (1-2 ftlb.)**
  - Flashlight

#### Additional tools required for replacing the ATF oil line:

- Torque wrench, 6–50 Nm (4.5–37 ftlb.), e.g. **VAG 1331A Torque wrench, 6-50 Nm (4.5-37 ftlb.)**
- Suitable used oil collection container, e.g. **VAS 6622A, SMN3725 or equivalent — Used oil collection and extraction unit,**
- **VAS 6262A Adapter for Oil Filling**

### Checking ATF oil line on Tiptronic transmission

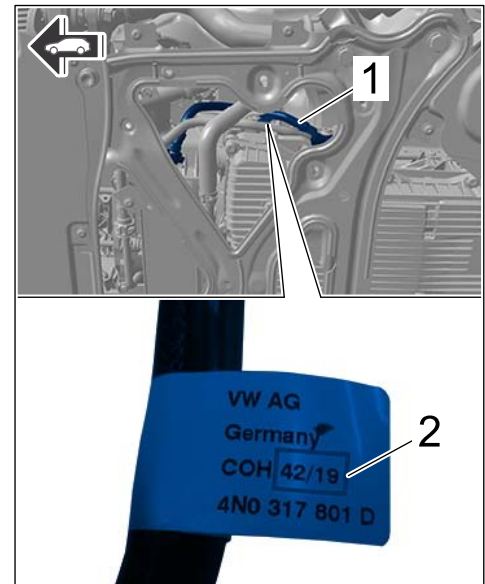
- Work Procedure: 1 Raise the vehicle using a lifting platform ⇒ *Workshop Manual '4X00IN Lifting the vehicle'.*
- 2 Remove rear and side section of the **front underbody cover**.  
For instructions, see ⇒ *Workshop Manual '519219 Removing and installing front underbody cover'.*



#### Hot components

- Risk of burns
- ⇒ Let hot components cool down.
- ⇒ Wear personal protective gear.

- 3 Check the **production date** of the **ATF oil line** installed in the vehicle.  
To do this, read off the production date ⇒ *Checking production date of ATF oil line -2-* from the sticker on the ATF line ⇒ *Checking production date of ATF oil line -1-*.
- If the sticker shows a **production date outside of weeks 36/19 to 42/19**, no **further action is required**. Continue with **Step 4**.
  - The **production date** of the ATF oil line is **within or includes weeks 36/19 to 42/19**: The ATF oil line must be **replaced**. To do this, continue with ⇒ *Technical Information 'Replacing ATF oil line on Tiptronic transmission'*.
  - If there is **no sticker** on the ATF oil line or the **production date is not legible**, the ATF oil line must be **replaced**. To do this, continue with ⇒ *Technical Information 'Replacing ATF oil line on Tiptronic transmission'*.



*Checking production date of ATF oil line*

- 4 Install rear and side section of the front underbody cover.  
For instructions, see ⇒ *Workshop Manual '519219 Removing and installing front underbody cover'*.
- 5 Lower the vehicle and remove it from the lifting platform.
- 6 **Vehicles that have already been delivered only**: Enter the campaign in the Warranty and Maintenance booklet.

**- End of action required -**

For warranty processing, see **Scope 1** under ⇒ *Technical Information 'Warranty processing'*.

### Replacing ATF oil line on Tiptronic transmission

- Work Procedure: 1 Have suitable stoppers ready for closing off the line connections.
- 2 Have a suitable collection container ready for collecting emerging ATF oil.

**CAUTION**

**Aggressive fluids**

- Risk of skin irritation
- Risk of damage to components and surfaces

- ⇒ Do not spill fluids.
- ⇒ Wear personal protective gear.
- ⇒ Avoid contact with the skin.
- ⇒ In the event of contact, wash the component or surface with water.
- ⇒ Replace components that are already damaged.

3 Remove ATF oil line on the Tiptronic transmission.



**Information**

The ATF oil must not be drained from the Tiptronic transmission before removing and installing the ATF oil line.

Only approx. 100 – 300 ml of ATF oil escapes during removal of the ATF oil line, which must be refilled during an oil level check following repairs.

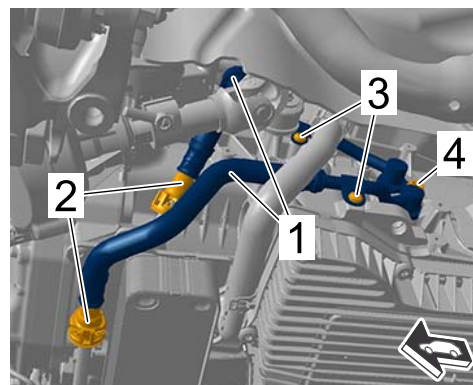
3.1 Loosen and unscrew fastening screws ⇒ *Removing the ATF oil line -3-* for ATF oil line ⇒ *Removing the ATF oil line -1-* on the transmission.

3.2 Release and disconnect quick connectors ⇒ *Removing the ATF oil line -2-* of the ATF oil line ⇒ *Removing the ATF oil line -1-* on the ATF cooler.

Then close off the connections on the ATF cooler using suitable plugs.

3.3 Loosen and unscrew fastening screw ⇒ *Removing the ATF oil line -4-* on the connection for the ATF oil line on the transmission.

3.4 Detach ATF oil line ⇒ *Removing the ATF oil line -1-* from the transmission and guide it out. To do this, remove one of the two sections of the pipe from the holder for fastening the line to the transmission if necessary, to make guiding it out easier.



*Removing the ATF oil line*

4 Install new ATF oil line on the Tiptronic transmission.

Part No.	Designation	Qty.
PAB317801C	ATF oil line	1 ea.

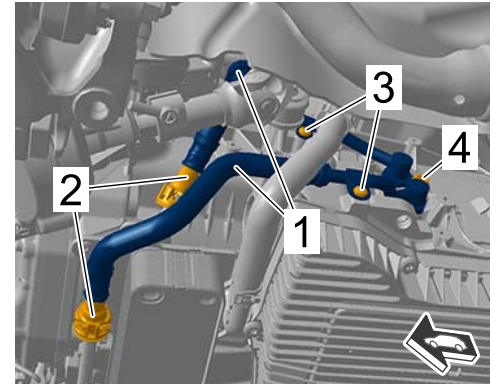
4.1 Guide in ATF oil line ⇒ *Installing the ATF oil line -1-*. To do this, remove one of the two sections of pipe from the holder for securing the line to the transmission if necessary, to make guiding in easier. Then, position both sections correctly in the holder and insert them into the connection on the transmission.

4.2 Screw in fastening screw ⇒ *Installing the ATF oil line -4-* on the line connection by several turns, but do not tighten it yet.

4.3 Push on quick connectors ⇒ *Installing the ATF oil line -2-* of the ATF oil line as far as the stop on the ATF cooler.

4.4 Tighten fastening screw ⇒ *Installing the ATF oil line -4-* on the ATF oil line connection.  
**Tightening torque 20 Nm (15 ftlb.)**

4.5 Screw in fastening screws ⇒ *Installing the ATF oil line -3-* for the ATF oil line on the transmission and tighten.  
**Tightening torque 8 Nm (6 ftlb.)**



*Installing the ATF oil line*

5 Check ATF oil level and top up ATF oil ⇒ *Workshop Manual '370235 Checking and topping up ATF'*.

Part No.	Designation	Qty.
PAB32154900	Oil filler screw, M22 x 1.5	1 ea.
00004321054	ATF Shell L12108, 1 liter	As required

6 Install rear and side section of the front underbody cover.  
For instructions, see ⇒ *Workshop Manual '519219 Removing and installing front underbody cover'*.

7 Lower the vehicle and remove it from the lifting platform.

8 **Vehicles that have already been delivered only:** Enter the campaign in the Warranty and Maintenance booklet.

**- End of action required -**

For warranty processing, see **Scope 2** under ⇒ *Technical Information 'Warranty processing'*.

**Warranty processing**

Scope 1: **Checking ATF oil line on Tiptronic transmission** – the line must **not** be replaced

<b>Working time:</b>		
Checking production date of ATF oil line		Labor time: <b>62 TU</b>
Includes:	Raising and lowering the vehicle	
	Removing and installing rear section of front underbody cover	
	Removing and installing side section of front underbody cover	
⇒ <b>Damage Code ALA5 099 000 1</b>		

Scope 2: **Checking and replacing ATF oil line on Tiptronic transmission**

<b>Working time:</b>		
Checking production date of ATF oil line and replacing ATF oil line		Labor time: <b>117 TU</b>
Includes:	Raising and lowering the vehicle	
	Removing and installing rear section of front underbody cover	
	Removing and installing side section of front underbody cover	
	Checking and topping up ATF oil level	
<b>Parts required:</b>		
PAB317801C	ATF oil line	1 ea.
PAB32154900	Oil filler screw, M22 x 1.5	
<b>Required materials:</b>		
00004321054	ATF Shell L12108, 1-liter container	0.5 ea.
⇒ <b>Damage Code ALA5 099 000 2</b>		

**Important Notice:** Technical Bulletins issued by Porsche Cars North America, Inc. are intended only for use by professional automotive technicians who have attended Porsche service training courses. They are written to inform those technicians of conditions that may occur on some Porsche vehicles, or to provide information that could assist in the proper servicing of a vehicle. Porsche special tools may be necessary in order to perform certain operations identified in these bulletins. Use of tools and procedures other than those Porsche recommends in these bulletins may be detrimental to the safe operation of your vehicle, and may endanger the people working on it. Properly trained Porsche technicians have the equipment, tools, safety instructions, and know-how to do the job properly and safely. Part numbers listed in these bulletins are for reference only. The work procedures updated electronically in the Porsche PIWIS diagnostic and testing device take precedence and, in the event of a discrepancy, the work procedures in the PIWIS Tester are the ones that must be followed.