



FIELD KIT

Vac-Tron Equipment, LLC

Trenchless
Okahumpka, FL 34762 USA

FIELD CAMPAIGN KIT VVK00-0006
#

DATE
:

DRAFT

For Dealer Reference: Service Bulletin # SVV2020008

Light Relocation, Reflector, Conspicuity Tape and Rear Extension Installation Kit

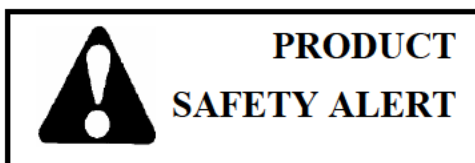
CAMPAIGN
TYPE:

Mandatory-Product Safety

CAMPAIGN
CATEGORY:

Kit and Bulletin

MACHINE / ATTACHMENT MODEL(S):	Serial Numbers		Kit Version
	Included	Excluded	
MC833SDT	See attached listing on page 26 of this Kit Instructions for specific VIN and Serial/Unit numbers. Note: VIN-Serial/Unit numbers in red are DUALLY MACHINES which may require additional lights and/or reflectors. Send photos of dually machines to Vac-Tron at email Vactron-service@vermeer.com for additional assistance.	N/A	VVK01
MC835SDT			
MC855SDT			
MC873SDT			
MINICOMBO			VVK02
MINICOMBO			VVK03
MC855SDT			



PURPOSE: INADEQUATE LIGHTING, REFLECTORS AND CONSPICUITY TAPE

The lighting, side and rear reflectors and conspicuity tape do not meet US or Canada Federal Motor Vehicle Safety Standard (FMVSS/CMVSS) governmental regulation 108 for the United States, Canada and Mexico. When towing or parking the vacuum excavator on public roadways, a crash may occur resulting in **death or serious injury** resulting from a driver(s) of other vehicle(s) not seeing the vacuum excavator at night or during limited sunlight and strike the vacuum excavator. To reduce the potential of this occurring, vehicle lights will be relocated, additional reflectors and conspicuity tape are being added. Property or equipment damage may also occur.

VVK00-0006 has been created to provide the necessary parts and instructions to relocate the vehicle lights, add reflex reflectors, add conspicuity tape to the sides and rear, add reflect reflectors and add a rear chassis extension.



WARNING: Failure to use shutdown procedure can result in unexpected hazard(s). Death or serious injury could result due to entanglement, crushing, cutting, or other hazardous contact. Follow Shutdown Procedure after operating, before performing any service or maintenance, and before transporting.

Shutdown Procedure

STOPPING THE MACHINE

For your safety and the safety of others, follow shutdown procedure before working on the machine for any reason, including servicing, maintaining, cleaning, inspecting, unclogging or transporting machine, or as otherwise directed in Operator’s manual.

Step 1: Make sure end of vacuum hose is clear of all spoils, debris, and other materials.

Step 2: Turn *Water Pump Switch* to OFF.

Step 3: Push *Throttle Switch* to SLOW. Idle engine five minutes to allow vacuum pump to cool down. This helps to prevent the buildup of condensation.

Step 4: Turn *Keyswitch* to OFF to shut off engine. Remove the key.

Step 5: Pull trigger on any high-pressure water tool to relieve line pressure.

Step 6: Disassemble all water line connections, vacuum hoses, and tools. Stow properly on machine.

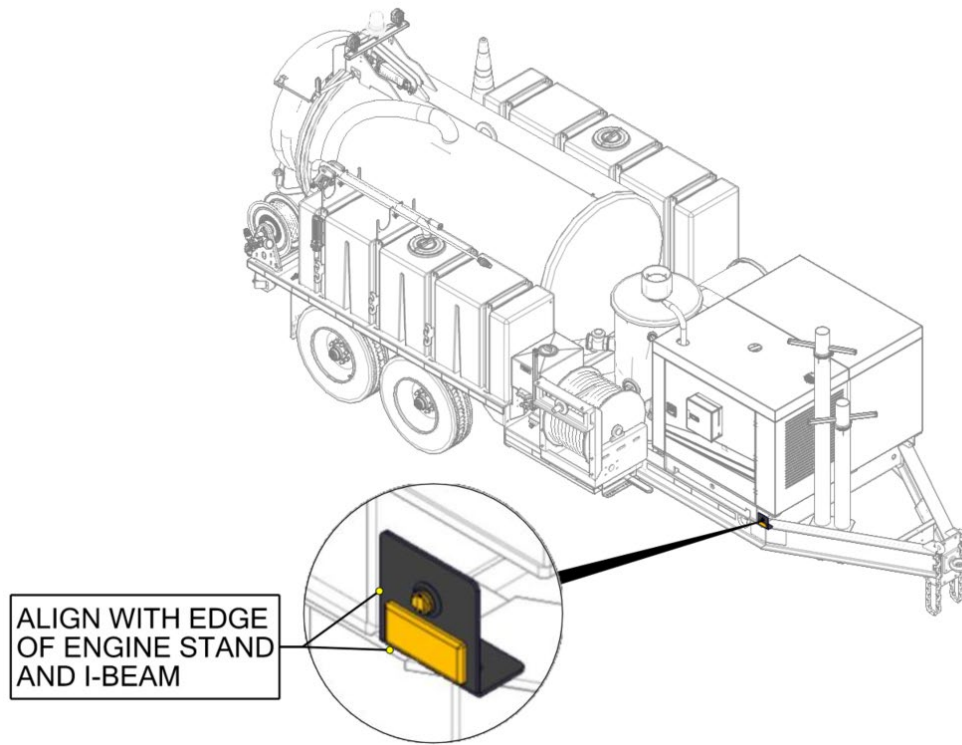
Step 7: Drain CVS Filter Housing / Cyclone.



WARNING: Do not point high pressure water tool in the direction of people when relieving the pressure.

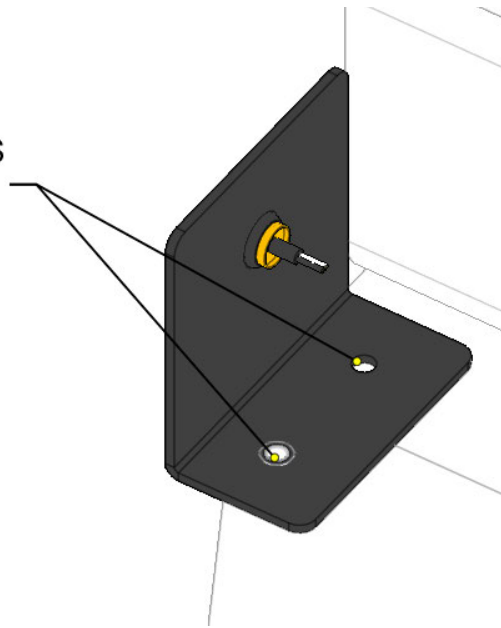
PROCEDURE 1: (APPLIES TO KITS VVK01 AND VVK03)

1. Align the bracket with the edge of the curb side I-beam as shown below. Ref. 1, Fig 1.

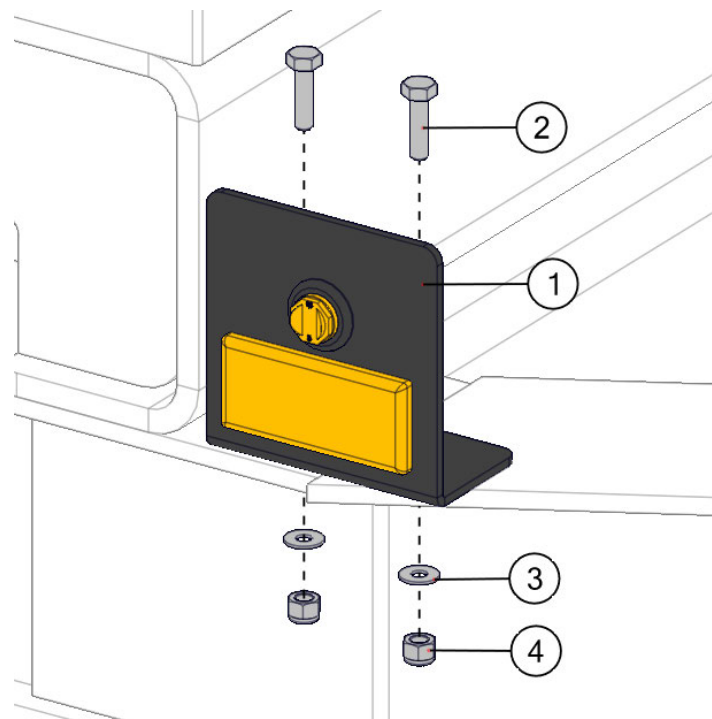


2. Mark the light bracket hole locations onto the I-beam and drill (2) $\text{Ø}9/32''$ (7.15 mm) holes through the I-beam.

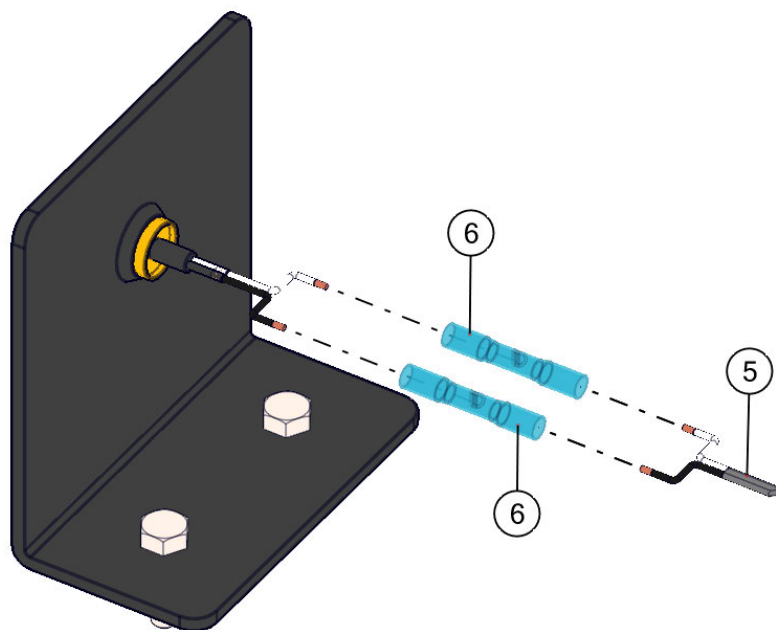
MARK HOLE LOCATIONS
ON I-BEAM AND DRILL
THRU.



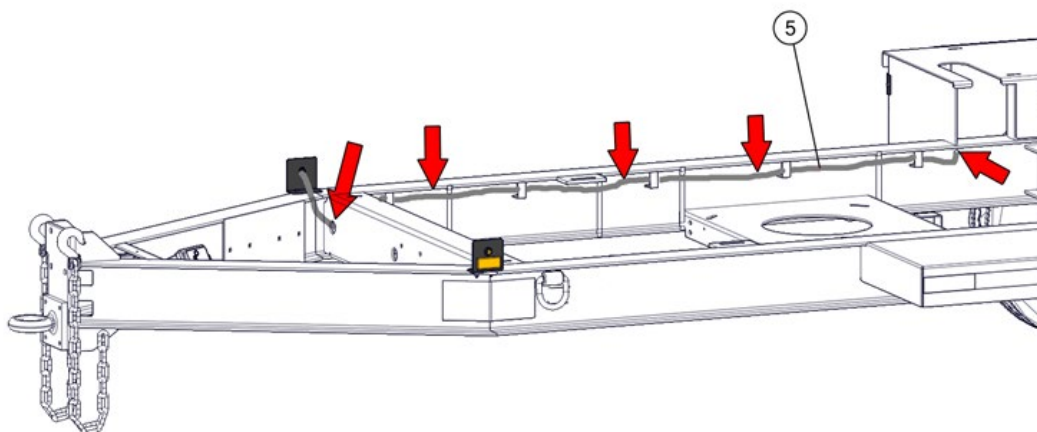
3. Attach the marker light bracket with the supplied hardware. Ref. 1, 2, 3, and 4, Fig. 1.



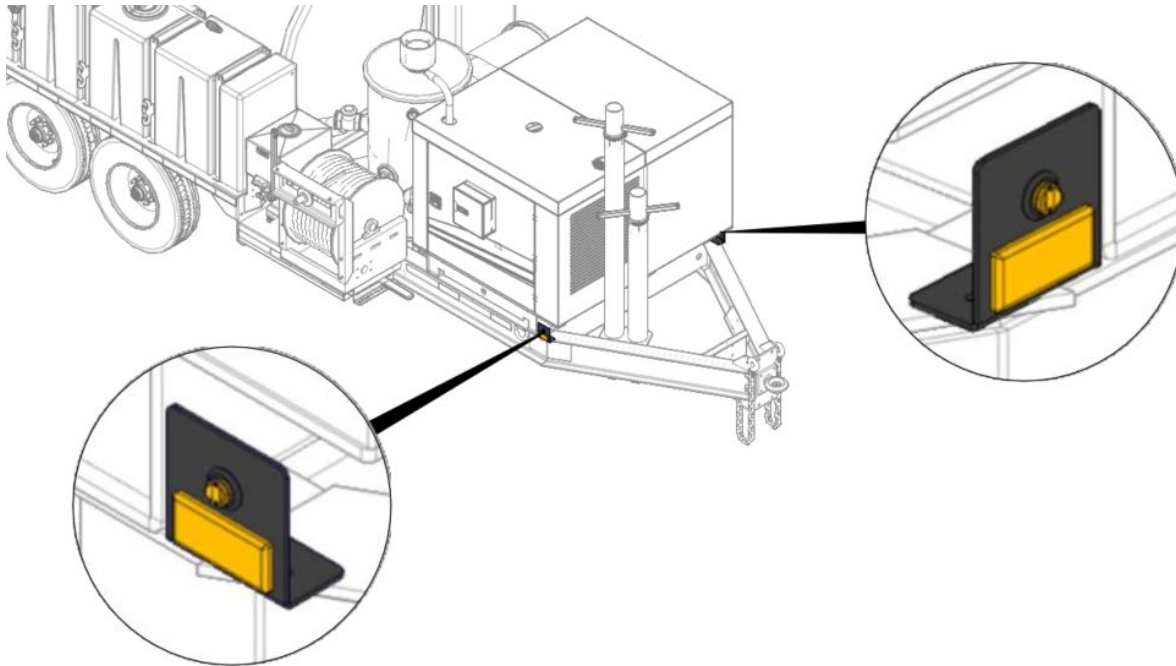
4. Connect one end of the 100" (2.54 m) length of dual core wire to the front side marker lamp using the butt connectors. Ref. 5 and 6, Fig. 1.



5. Place loom over wires for protection. Ref. 8, Fig. 1.
6. Run the wire through the cross member and inside of the I-Beam to connect with the front clearance marker lamp. Reference step 3, Procedure 2 for connecting the front side marker lamp and front clearance marker lamp.

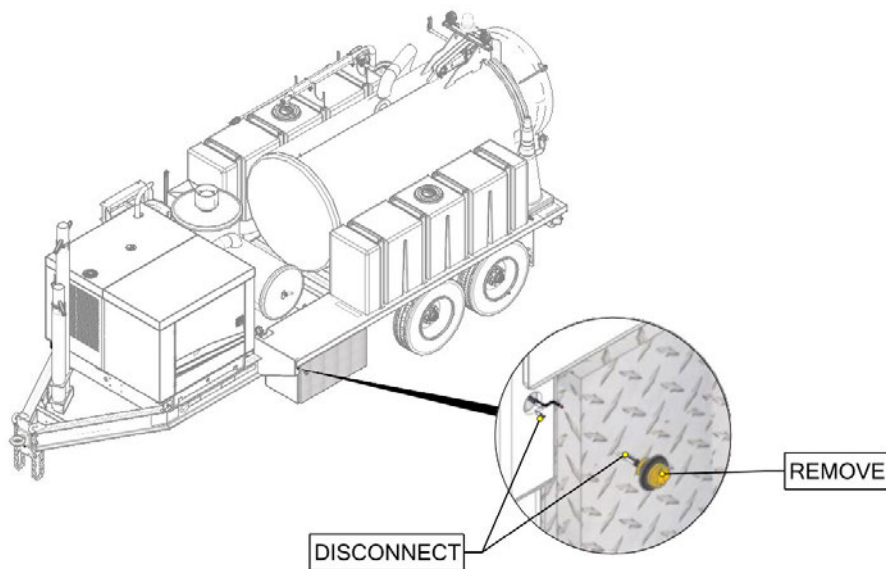


7. Use supplied zip ties to fasten wire harness to trailer frame.
8. Complete all steps for the street side of the trailer.

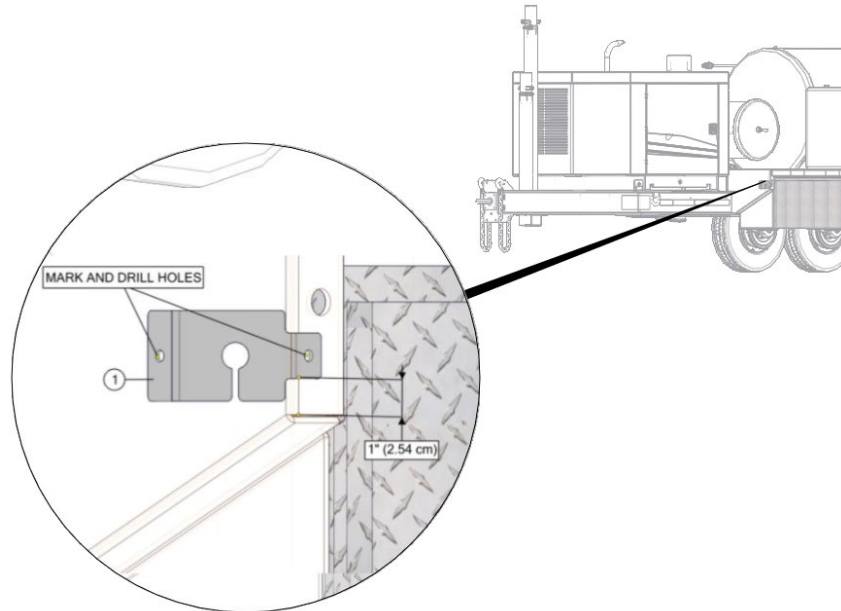


PROCEDURE 2: (APPLIES TO KIT VVK01 AND VVK03)

1. Remove the existing street side marker lamp from the gusset and disconnect the wires.

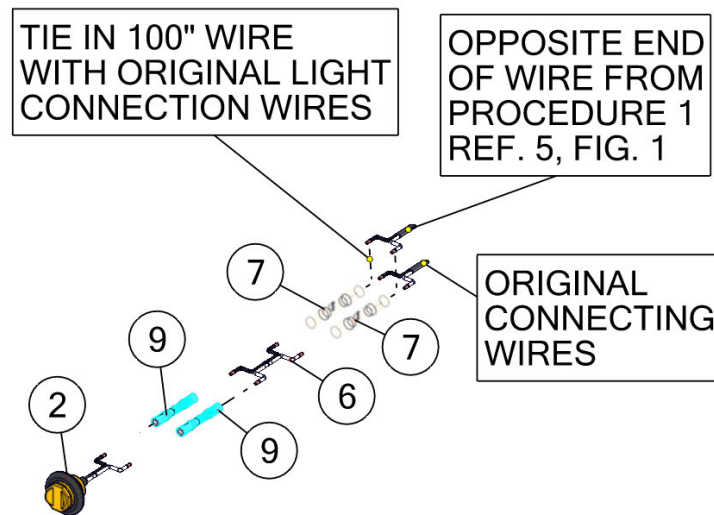


2. Place the side marker light bracket on the gusset approximately 1" (2.54 cm) from the bottom as shown. Mark the bolt locations on the gusset and drill (2) $\text{Ø}9/32"$ ($\text{Ø}7.15 \text{ mm}$) holes. (Street side shown). Ref. 1, Fig. 2.



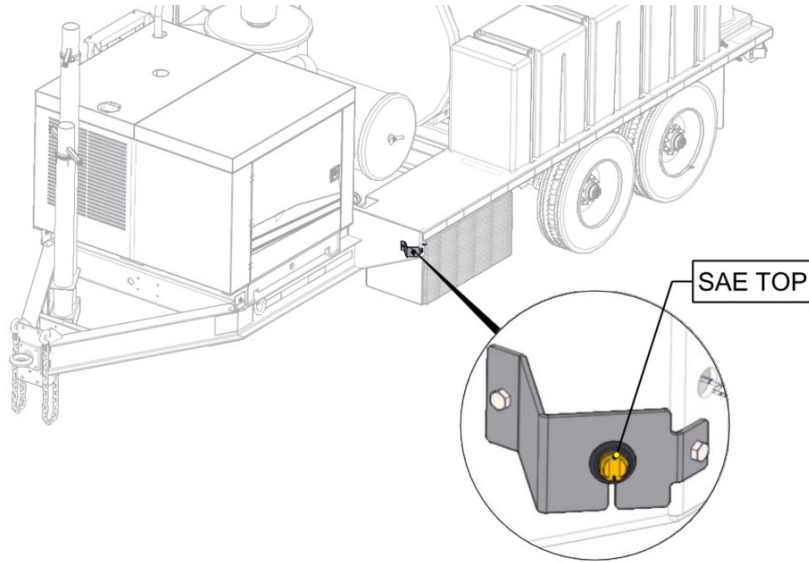
Z

- Use the 1 ft (30.48 cm) length of dual core conductor wire to connect the front clearance marker lamp and tie in with the 100" (2.54 m) length wire from the front side marker lamp. Use the 12-10 (yellow) and 16-14 (blue) heat seal butt connectors to connect all wires according to diagram below. Ref. 2, 6, 7 and 9 Fig. 2.



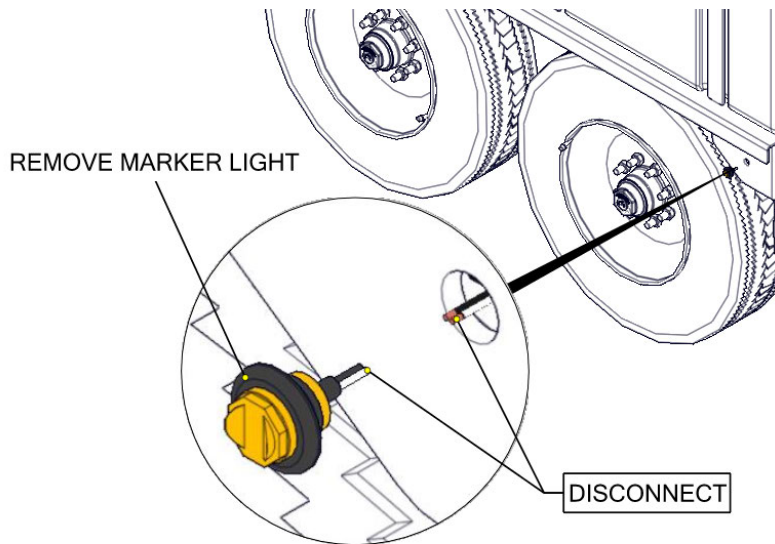
- Insert the front clearance marker lamp into the front clearance marker bracket as shown Ref 1 and 2, Fig. 2. Refer to the illustration below for proper lamp orientation.

5. Attach the front clearance marker bracket with the hardware Ref. 3, 4, and 5 Fig. 2.
6. Loom all exposed wires. Ref. 8 Fig. 2.



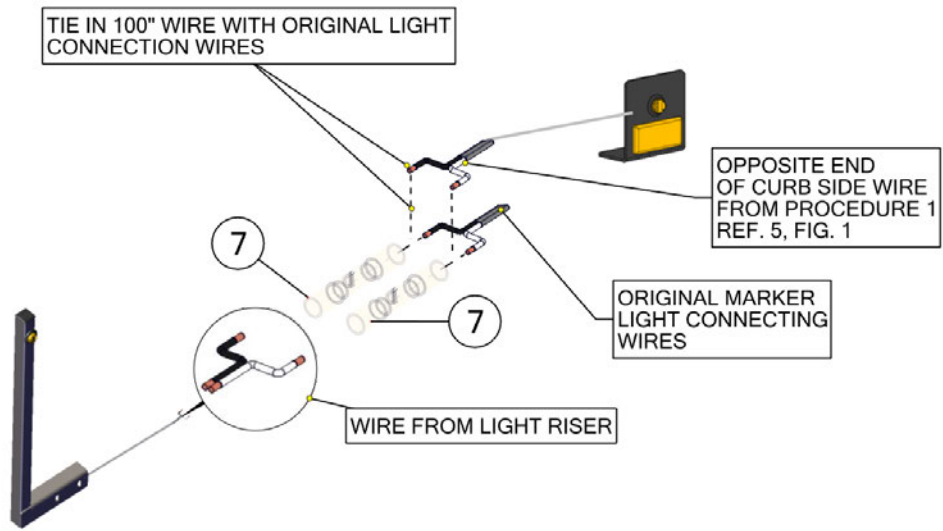
PROCEDURE 3: (APPLIES TO ALL KITS)

1. Remove the curb side marker light from the platform gusset and disconnect the wires (some units will have an incandescent light instead of the LED light shown).

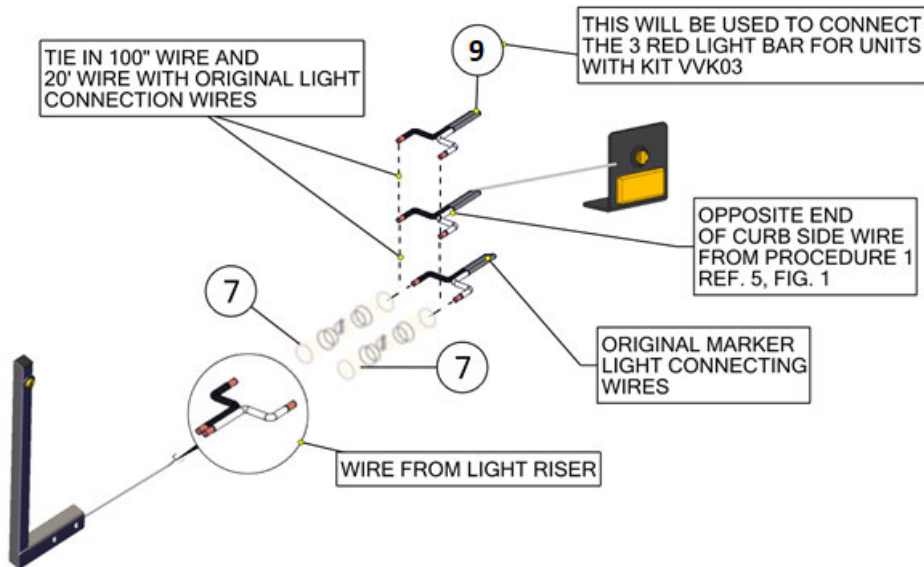


2. Use 12-10 heat seal butt connectors to tie in the 100" curb side wire with the original curb side marker light wire. Ref. 5, Fig 1 and Ref 7, Fig 3. Connect the 5 ft (152.4 cm) length of split wire into the other end of the butt connectors as shown. Ref 6, Fig. 3. For KIT VVK03, additionally connect the supplied 20 ft (609.6 cm) split wire as shown in the drawing below. Ref 9, Fig 3.

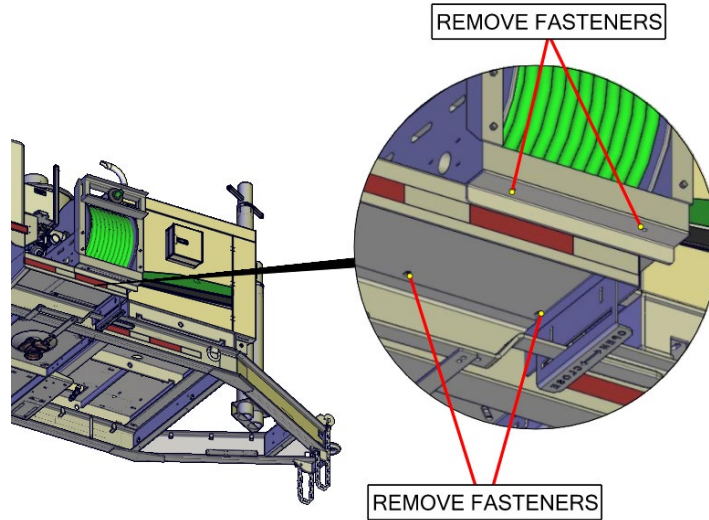
FOR KIT VVK01 AND VVK02 ONLY



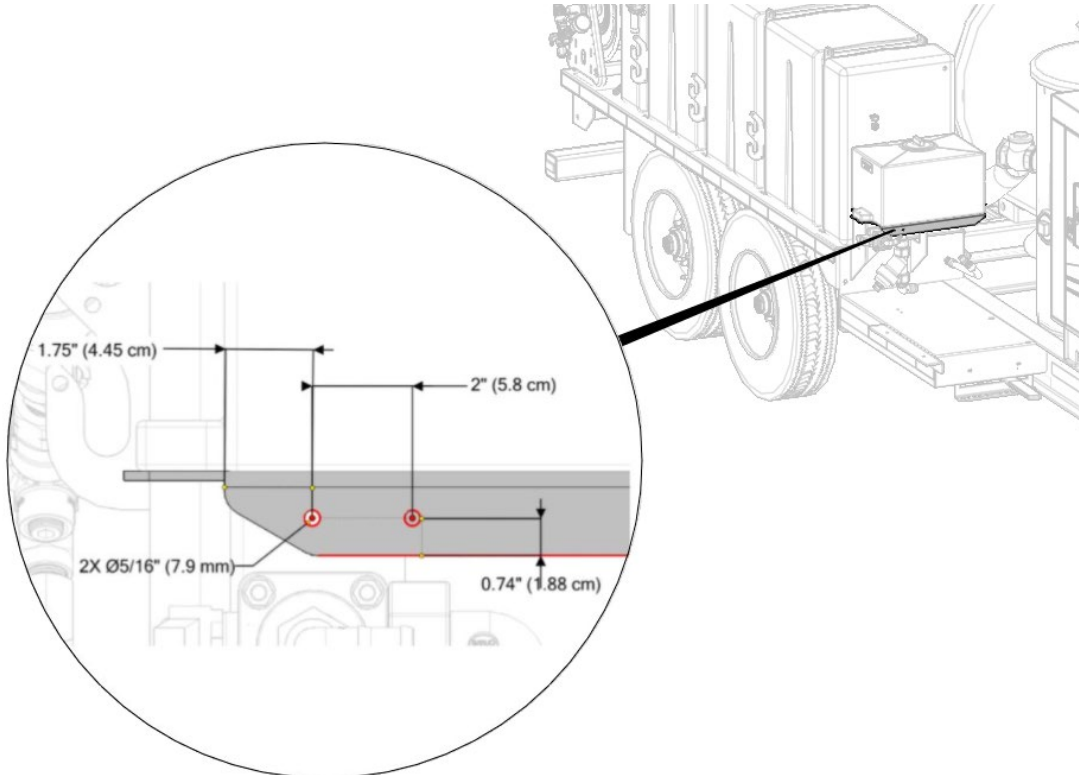
FOR KIT VVK03 ONLY (UNITS THAT REQUIRE THE 3 RED LIGHT BAR)



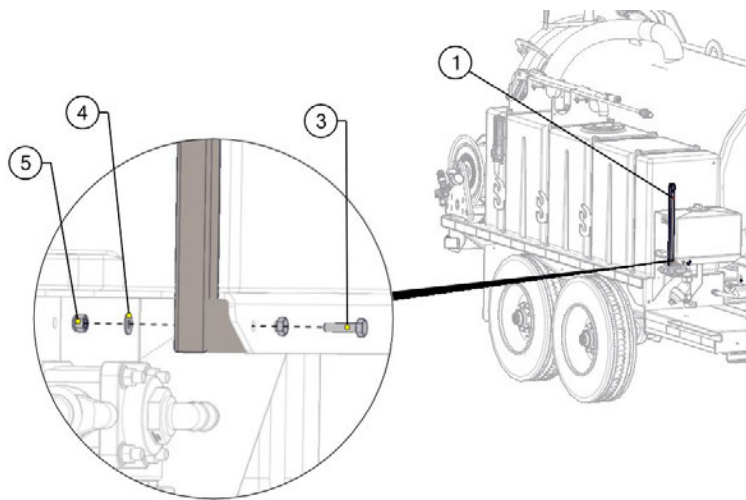
3. Remove the fastening hardware from the jetter reel and retain for future installation. Move the jetter reel as needed to drill the holes in Step 4.



4. Drill 2 - Ø5/16" holes in the tank plate in the positions shown.



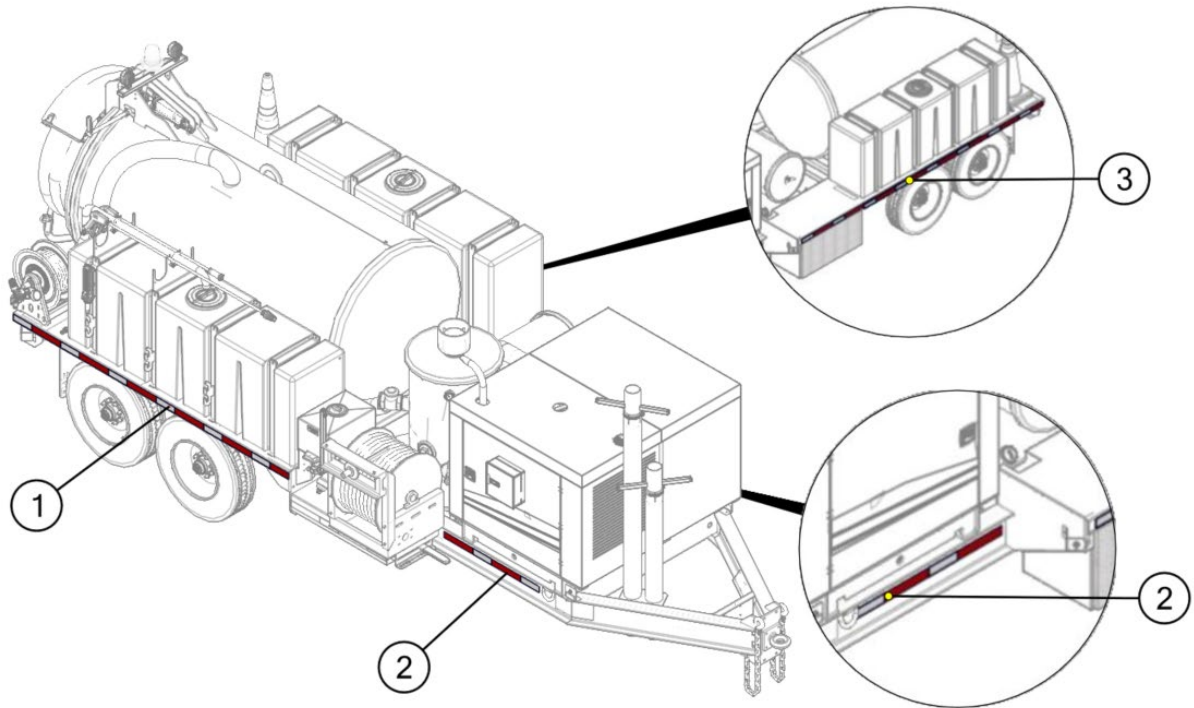
5. Connect the marker light riser to the tank plate. Ref. 1, 3, and 4, Fig. 3.



6. Reconnect the jetter reel with the hardware retained.

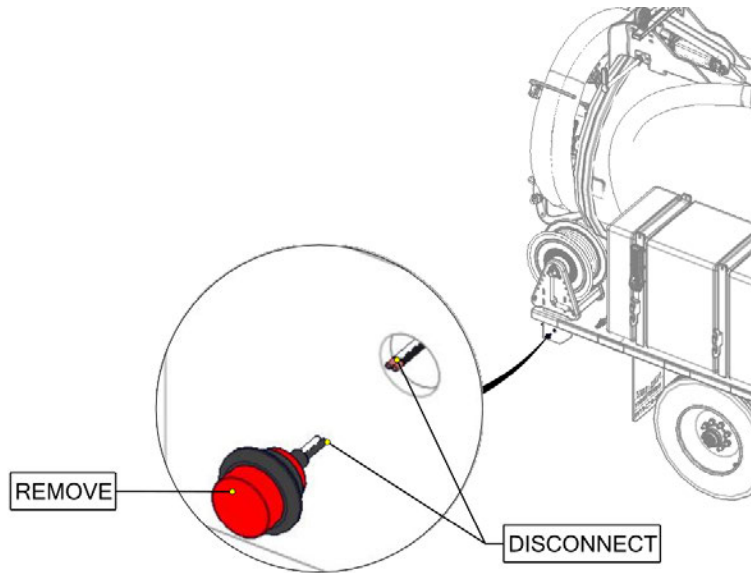
PROCEDURE 4: (APPLIES TO KITS VVK01 AND VVK03)

1. Clean area where the conspicuity tape will be installed with light soap and water. Areas with damaged paint or heavy corrosion should be prepped, painted, and thoroughly dry before applying conspicuity tape.
2. Refer to the illustration and install the conspicuity tape in the locations shown. Ref. 1, 2, and 3 Fig. 4.
3. Repeat for the opposite side of the trailer.

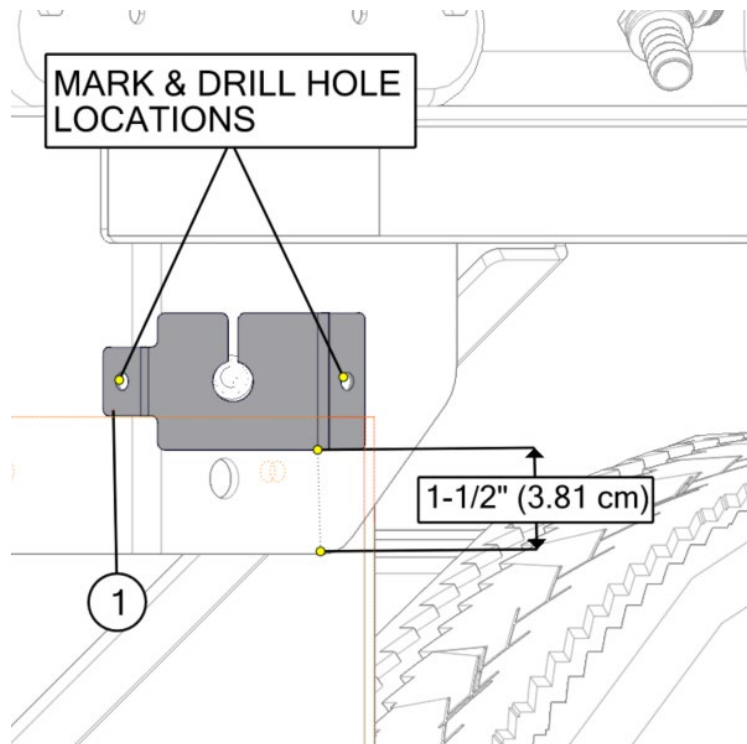


PROCEDURE 5: (APPLIES TO KIT VVK01 AND VVK03)

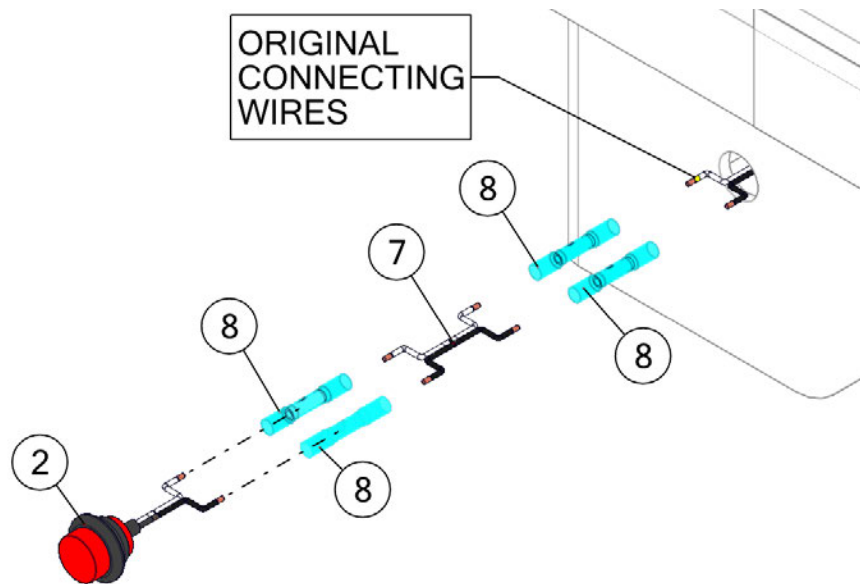
1. Remove the existing rear corner/side clearance marker lamp Ref. A from the gusset (retain for future installation) and disconnect the wires.



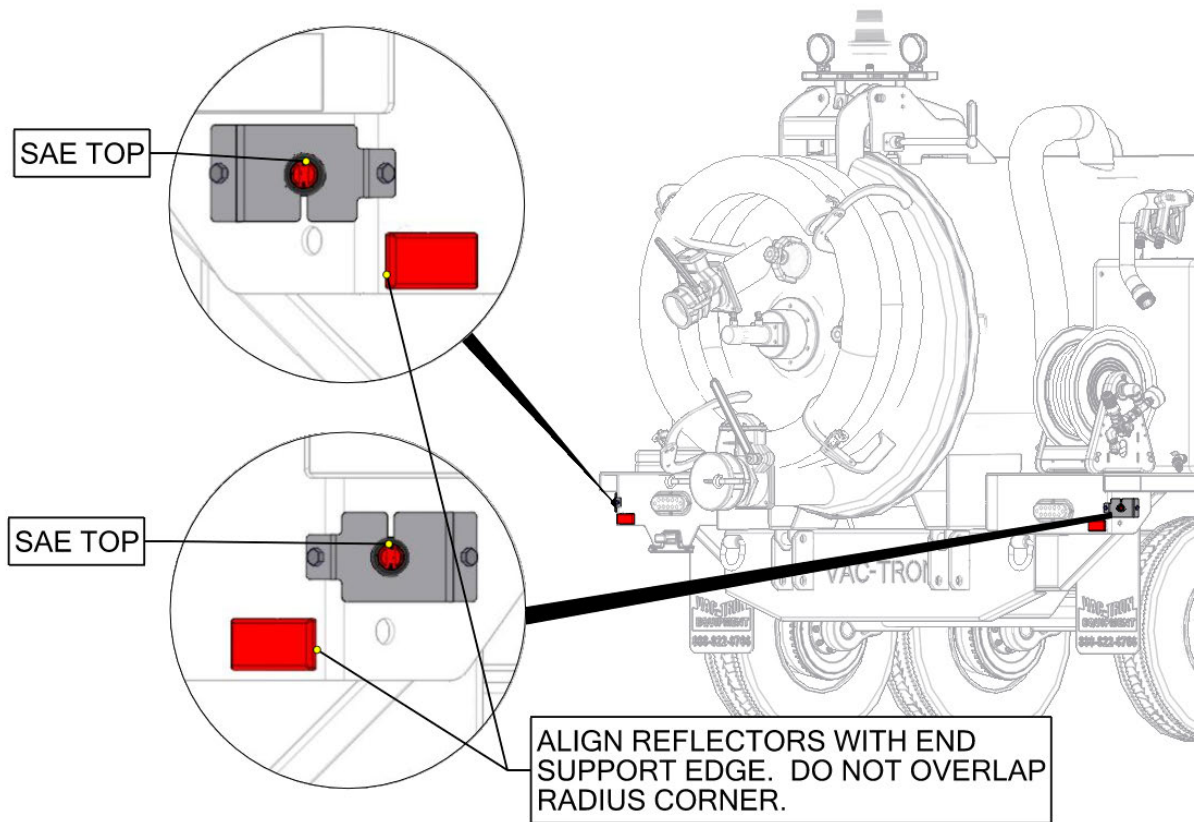
- Place the rear corner/side clearance marker bracket on the support approximately 1-1/2" (3.81 cm) from the bottom as indicated in the illustration below. Mark the bolt locations on the support and drill (2) Ø9/32" (Ø7.15 mm) holes.



- Use the 1 ft (30.48 cm) length of dual core conductor wire to reconnect the rear corner/side clearance marker lamp using 16-14 butt connectors. Ref 2, 7 and 8, Fig 5.



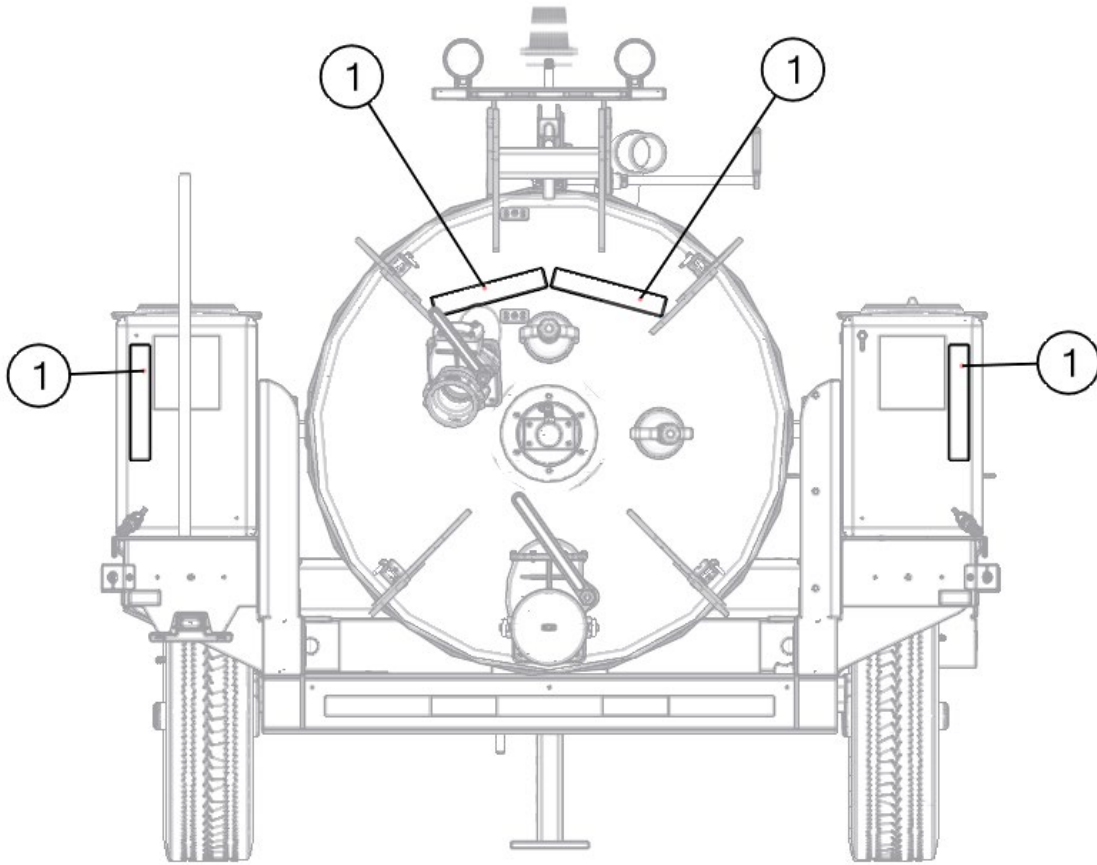
4. Attach the rear corner/side clearance marker bracket to the fender support with the hardware as shown Ref. 3, 4, and 5 Fig. 5.
5. Loom all exposed wires. Ref. 9 Fig. 5.
6. Insert the rear corner/side clearance marker lamp into the bracket as shown Ref 1 and 2, Fig. 5.
7. Clean area where the rear side marker reflectors will be installed with light soap and water. Areas with damaged paint or heavy corrosion should be prepped, painted, and thoroughly dry before applying the reflectors as shown.



8. Install the rear side marker reflector below the side marker bracket as shown.
9. Repeat all steps for the opposite side of the trailer.

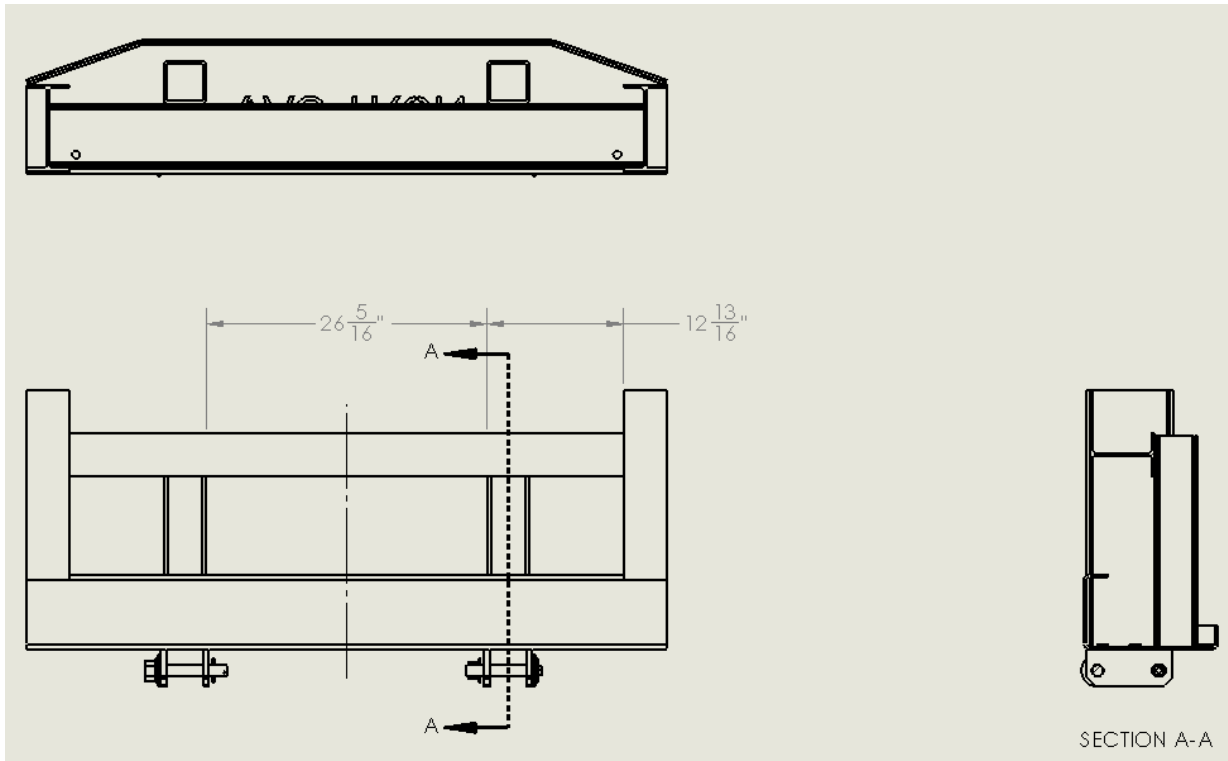
PROCEDURE 6: (APPLIES TO KITS VVK01 AND VVK03)

1. Clean area where the conspicuity tape will be installed with light soap and water. Areas with damaged paint or heavy corrosion should be prepped, painted, and thoroughly dry before applying the conspicuity tape.
2. Refer to the illustration and install each of the white conspicuity tape on the debris tank door and water tanks as shown Ref 1, Fig. 6.

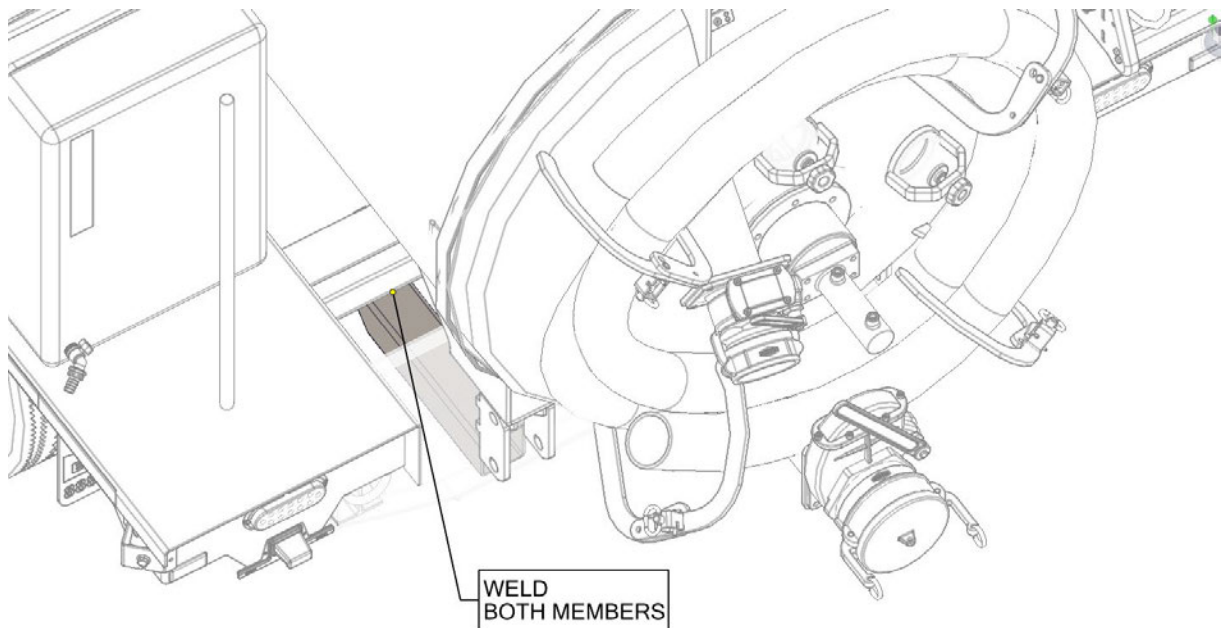
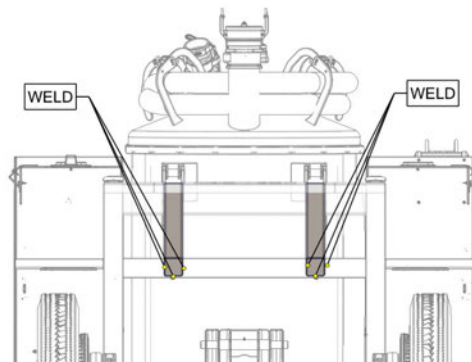
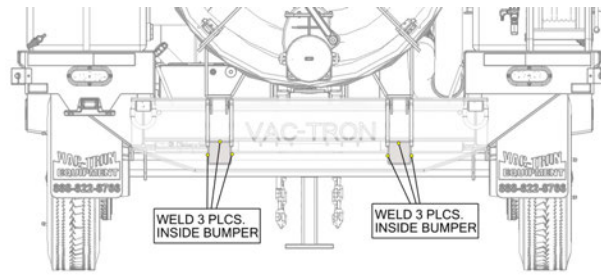


PROCEDURE 7: (APPLIES TO KITS VVK01 AND VVK03)

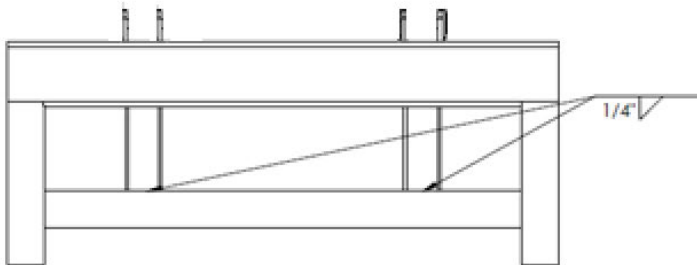
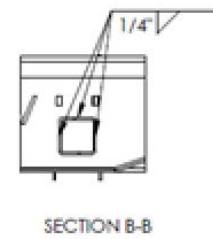
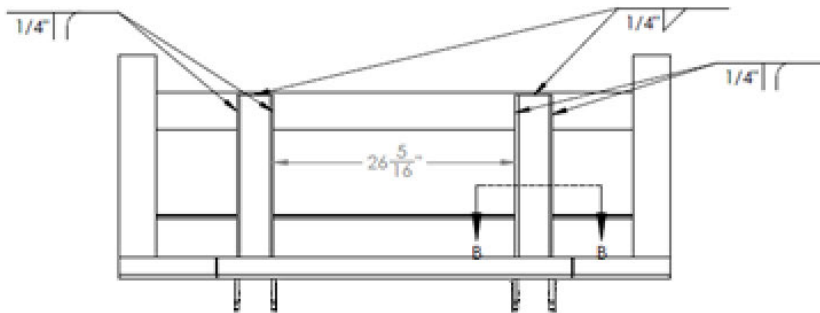
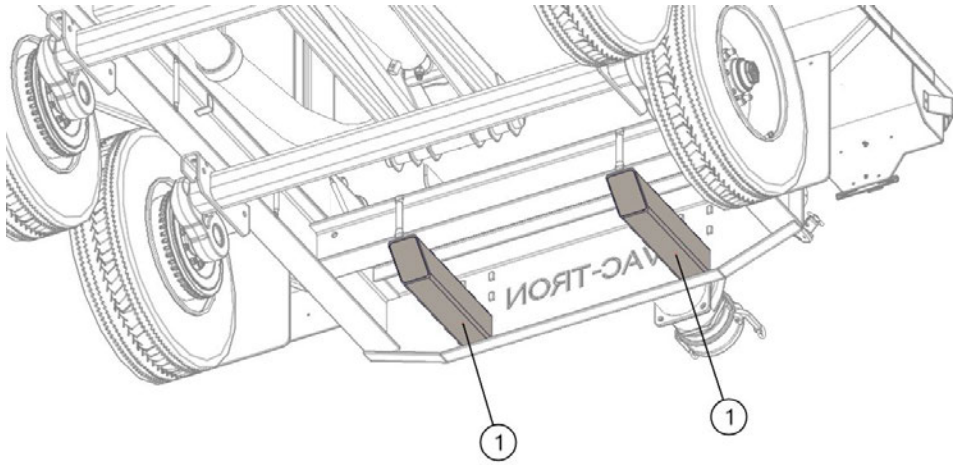
1. Grind off the paint and rust where the cross members provided are to be installed.
Refer to the figure in Step 2.
2. Position the reinforcement members as indicated below Ref. 1 Fig. 7.



3. Place 3/16" [5mm] fillet welds as indicated.



4. Remove any damaged paint down to the base metal. Repaint the affected areas as needed.



PROCEDURE 8: (APPLIES TO ALL KITS)

WN 286 RAISED LOAD CAN FALL

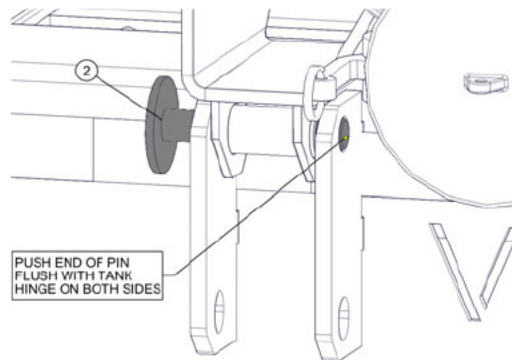


WARNING: Raised load can shift or fall. Death or serious injury could be possible if struck or crushed by falling load. Never allow anyone under a raised load unless load is securely supported to prevent it from shifting or falling.

1. Ensure the debris tank is empty. Using suitable blocking, block debris tank to prevent shifting. Debris tank weighs approximately 1,000 lb (454 kg).
2. Remove the cotter pin on both sides.

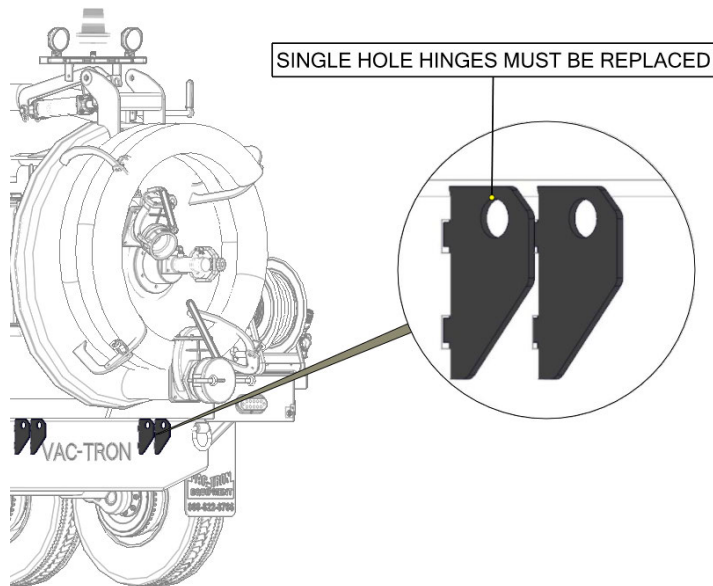


3. Push the headed pins out to be flush with the inner side of the tank hinges. Be careful not to push the pin through the hinge.

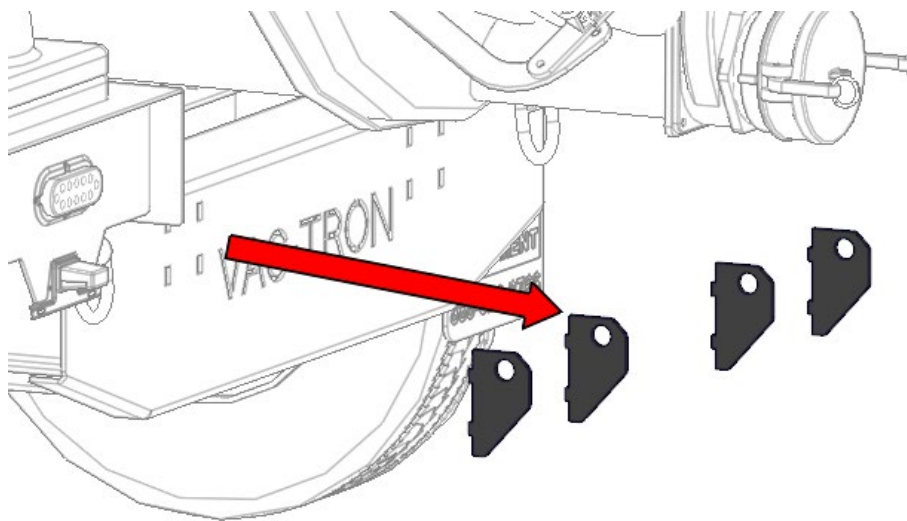


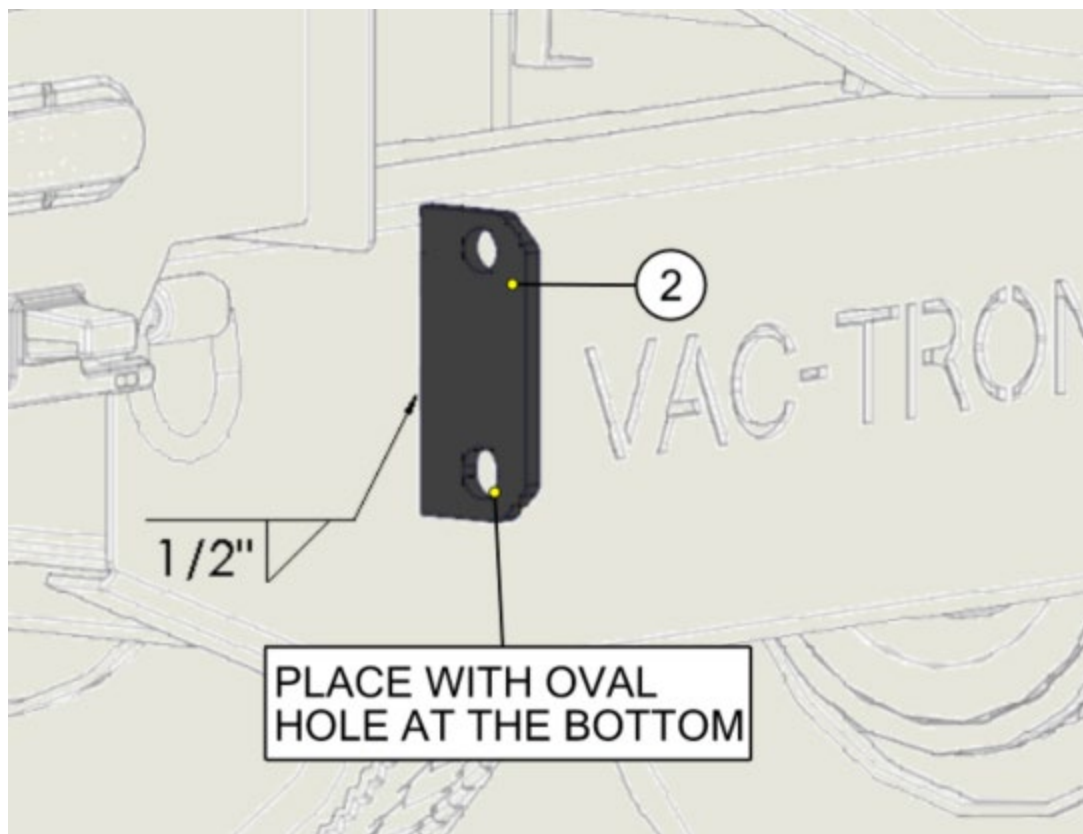
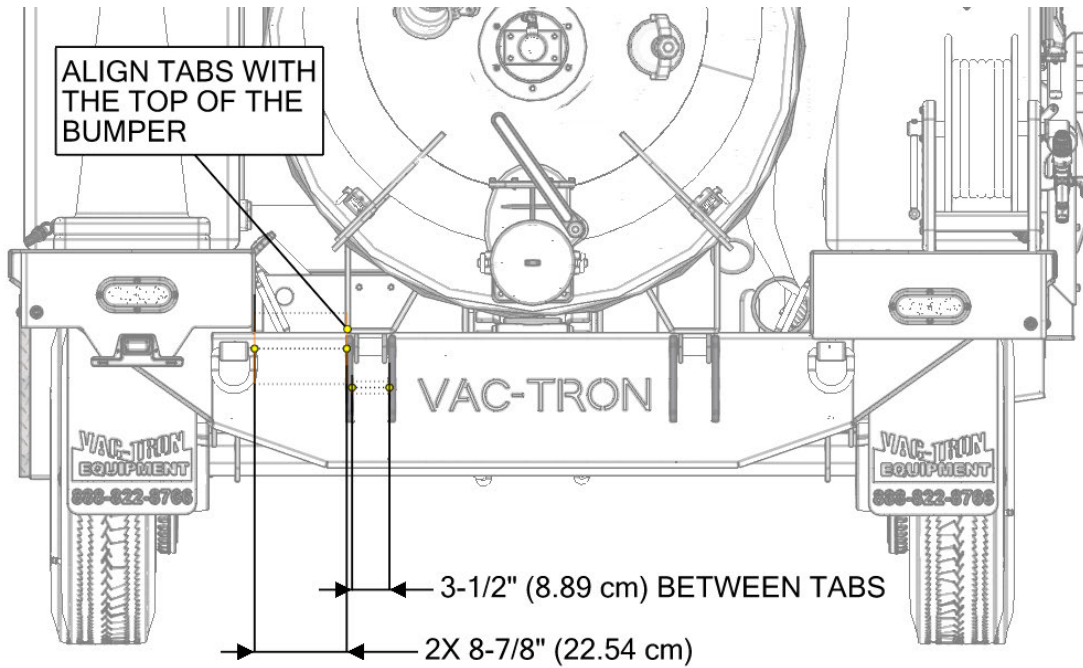
4. Push the headed pins out to be flush with the inner side of the tank hinges. Be careful not to push the pin through the hinge.
5. Use a suitable lifting device when installing the bumper. Bumper weight is approximately 120 lb (54 kg).

6. Inspect the tank hinges connected to the bumper. Hinges with the single hole configuration shown must be replaced. If the hinges have a 2-hole configuration, skip to step 9.

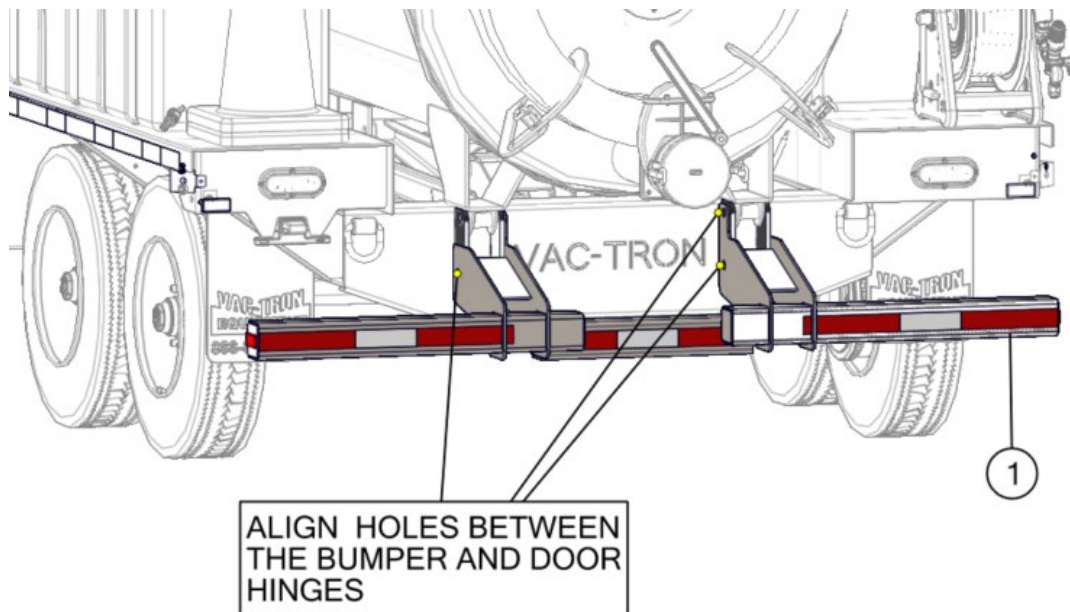


7. Use a cutting torch to remove the (4) tank hinges from the bumper. Grind away residual slag.





8. Remove all damaged paint down to bare metal. Repaint all affected areas.
9. Install the bumper and align the bolt holes with the tank hinges.

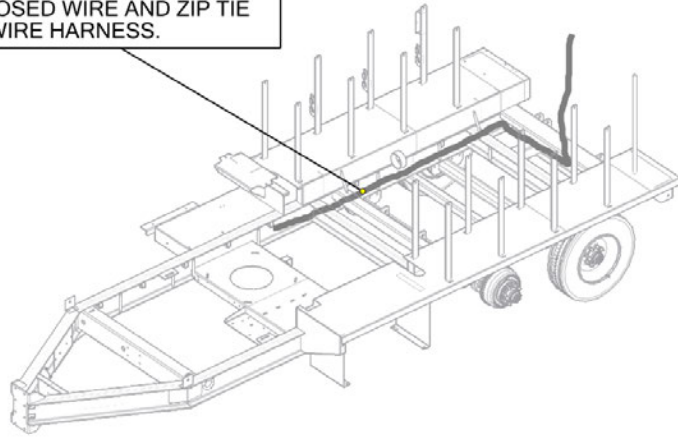


10. Push the headed pins back into position and replace the cotter pins on both sides.
11. Install the hardware Ref. 3, 4, and 5 Figure 8. Tighten the bolts to 644 ft-lb (873 Nm).

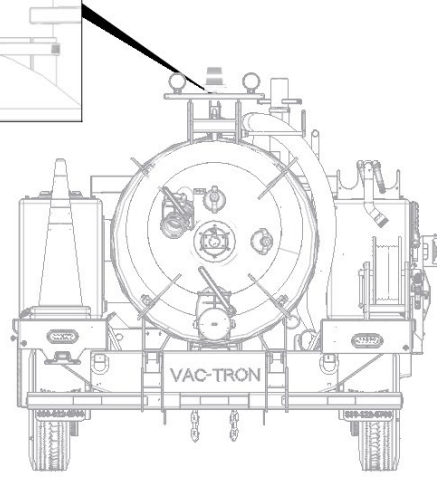
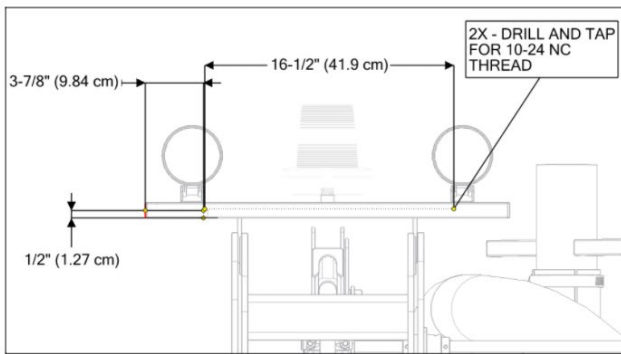
PROCEDUR 9: (APPLIES TO KIT VVK02 ONLY)

1. Run the 20' split wire through the I-beam with the wire harness as shown. Loom the exposed wire and zip tie along the length of the wire harness. Ref. 10, Fig. 2.

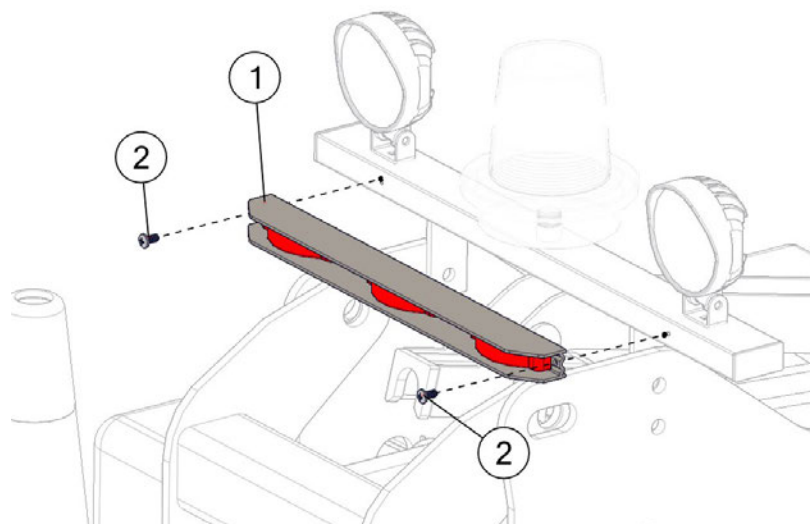
RUN 20' WIRE ALONG THE INSIDE OF THE I-BEAM ALONG WITH THE ORIGINAL WIRE HARNESS AND AROUND THE DEBRIS TANK. LOOM THE EXPOSED WIRE AND ZIP TIE TO WIRE HARNESS.



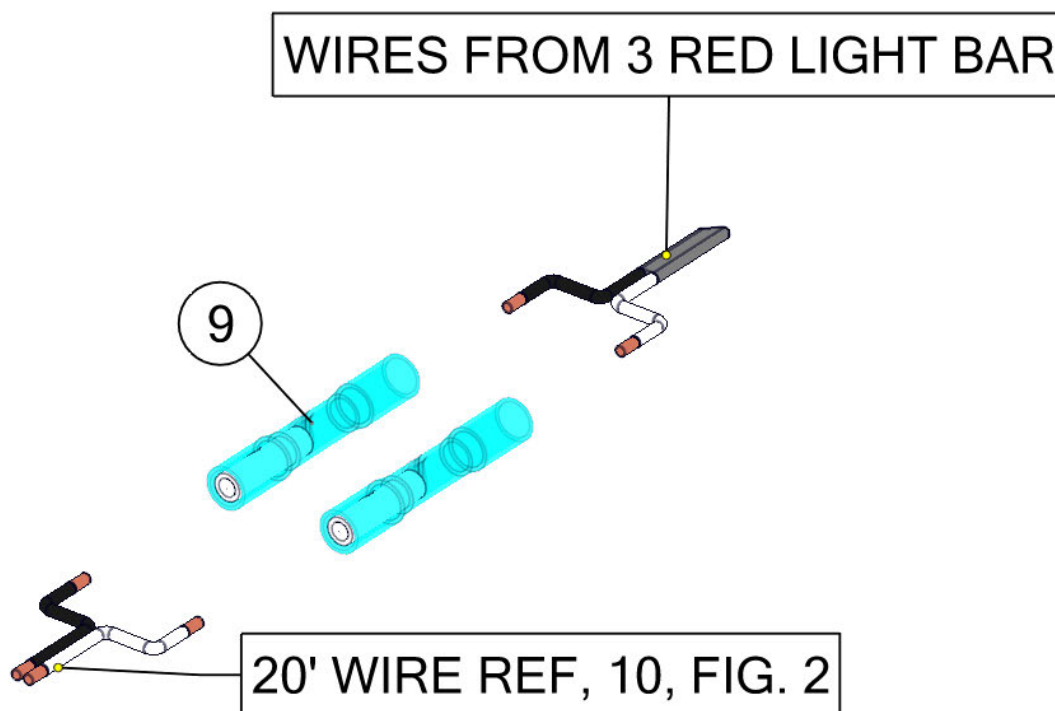
2. Drill 2X Ø5/32" (3.97 mm) holes in the locations shown and tap for 10-24 NC threads.



3. Attach the 3 red light bar to the light bar tube using supplied 10-24 NC screws. Ref. 11, 12 Figure 9.



4. Connect the wires from the 3 red light bar to the 20 ft (609.6 cm) length of split wire with butt connectors. Loom all exposed wires. Ref 9 and 10, Fig 9.



MACHINES - VVK01-0006						
MODEL	VIN	SERIAL/UNIT		MODEL	VIN	SERIAL/UNIT
MC855SDT	5HZBF1925DLAD2030	131012		MC873SDT	5HZBF1927HLCH2136	171122

AFFECTED MACHINES - VVK02-0006						
Model	VIN	SERIAL/UNIT		Model	VIN	SERIAL/UNIT

AFFECTED MACHINES - VVK03-0006						
Model	VIN	SERIAL/UNIT		Model	VIN	SERIAL/UNIT

Figure 1

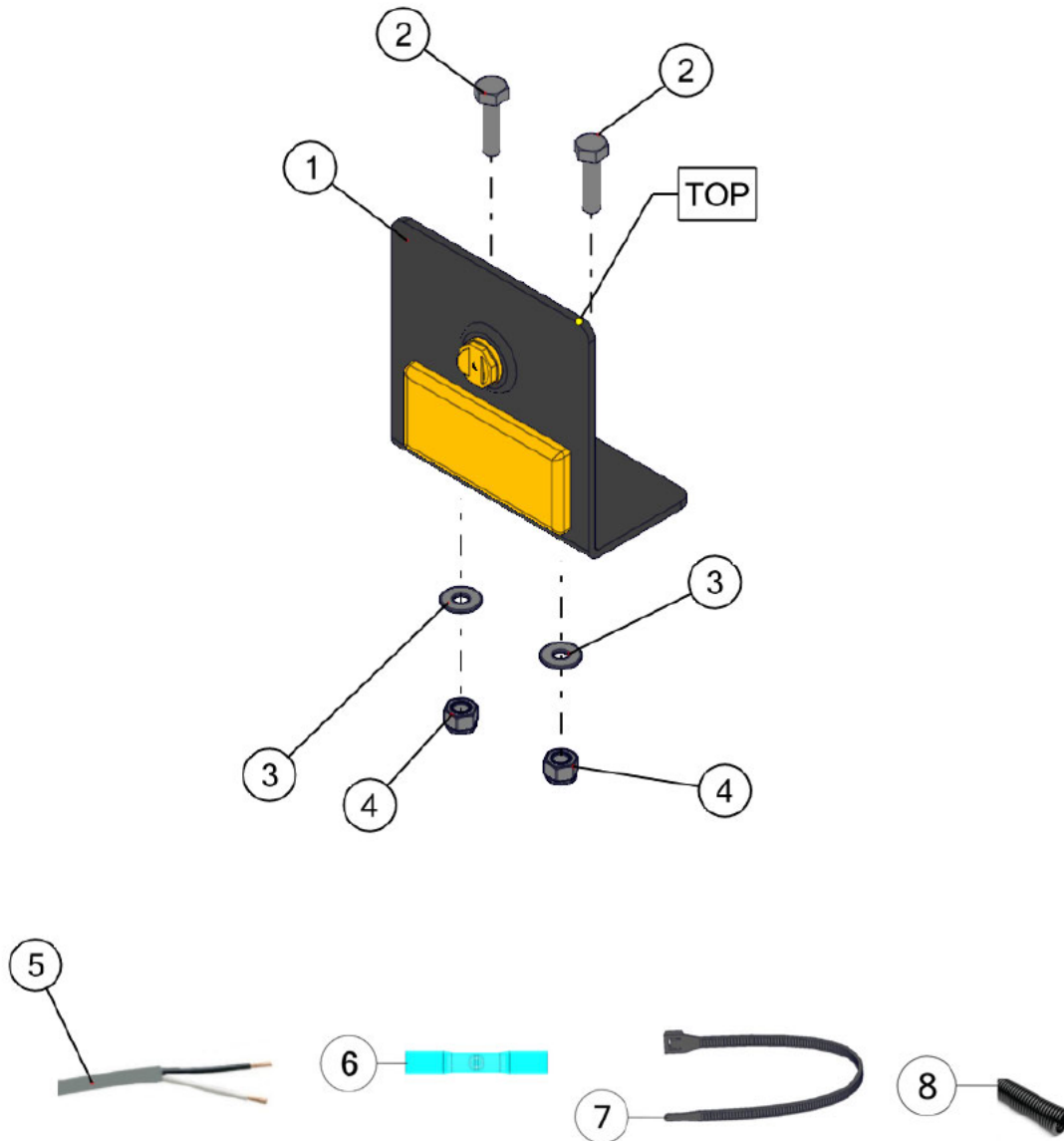


FIGURE 1 Parts List

REF. NO.	PART NO.	DESCRIPTION	VVK01 QTY.	VVK02 QTY.	VVK03 QTY.
1	B125-5749	FRONT SIDE MARKER LAMP BRACKET WITH REFLECTOR	2	0	2
2	P-1473	1/4-20 X 1 HEX HEAD BOLT	4	0	4
3	P-1472	1/4 ID FLAT WASHER	4	0	4
4	P-2782	1/4-20 NYLON LOCKNUT	4	0	4
5	P-1054-0	100" (2.54 m) LENGTH DUAL CORE CONDUCTOR WIRE	2	0	2
6	P-2369-0	16-14 HEAT SEAL BUTT CONNECTOR BLUE	4	0	4
7	P-1301-1	ZIP TIE	10	0	10
8	P-2762-0	1/2" SPLIT WIRE LOOM, 100" (2.54 m) LENGTH	2	0	2

Figure 2

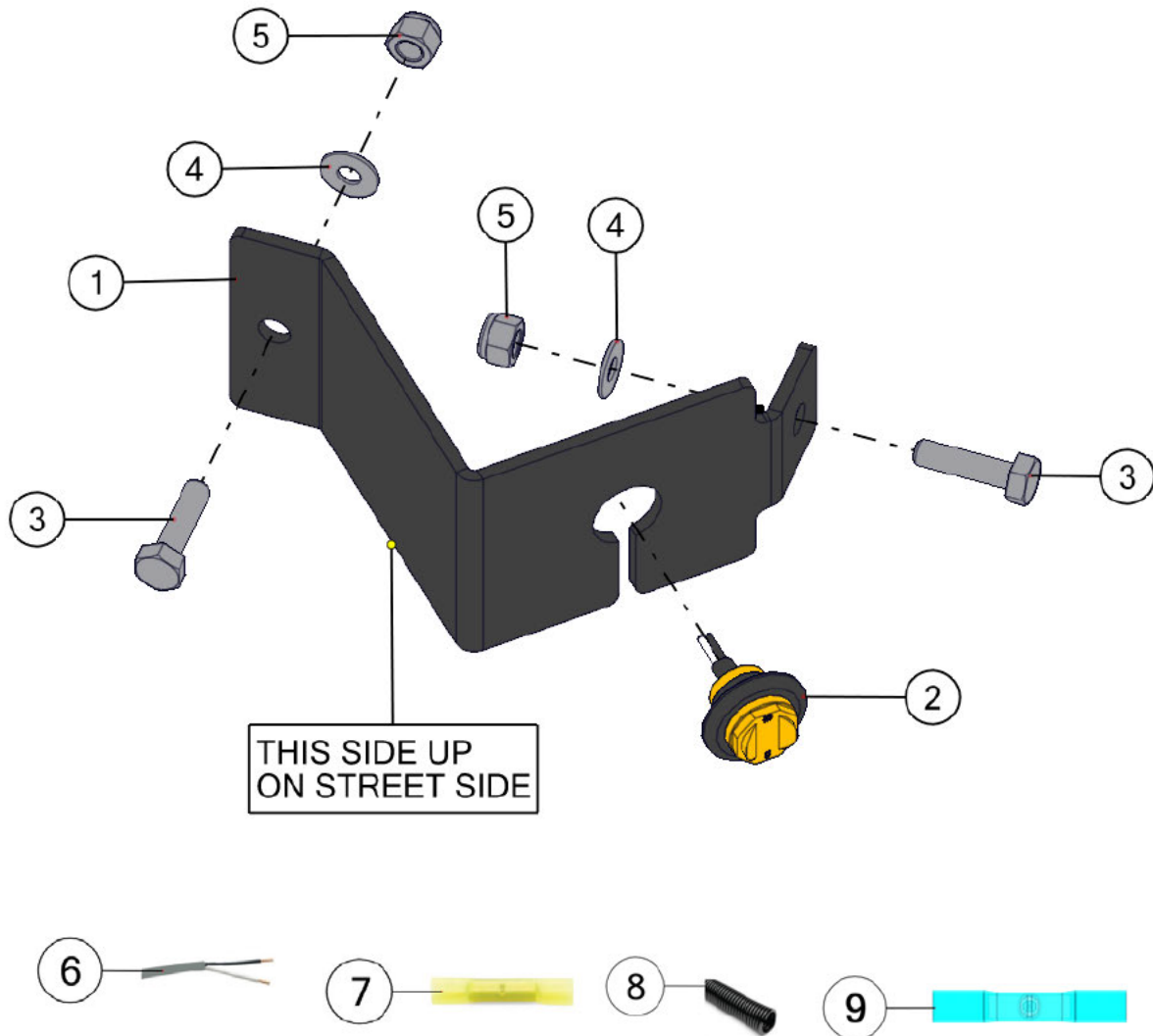


FIGURE 2 Parts List

REF. NO.	PART NO.	DESCRIPTION	VVK01 QTY.	VVK02 QTY.	VVK03 QTY.
1	B125-5748	FRONT CLEARANCE MARKER LAMP BRACKET	1	0	1
2	P-4190	FRONT CLEARANCE MARKER LAMP (EXISTING ON TRAILER)	1	0	1
3	P-1473	1/4-20 X 1 HEX HEAD BOLT	2	0	2
4	P-1472	1/4 ID FLAT WASHER	2	0	2
5	P-2782	1/4-20 NYLON LOCKNUT	2	0	2
6	P-1054-0	1' (30.48 cm) LENGTH DUAL CORE CONDUCTOR WIRE	1	0	1
7	135500217	12-10 HEAT SEAL BUTT CONNECTOR	2	0	2
8	P-2762-0	1/2" SPLIT WIRE LOOM, 1' (30.48 cm) LENGTH	1	0	1
9	P-2369-0	16-14 HEAT SEAL BUTT CONNECTOR BLUE	2	0	2

Figure 3

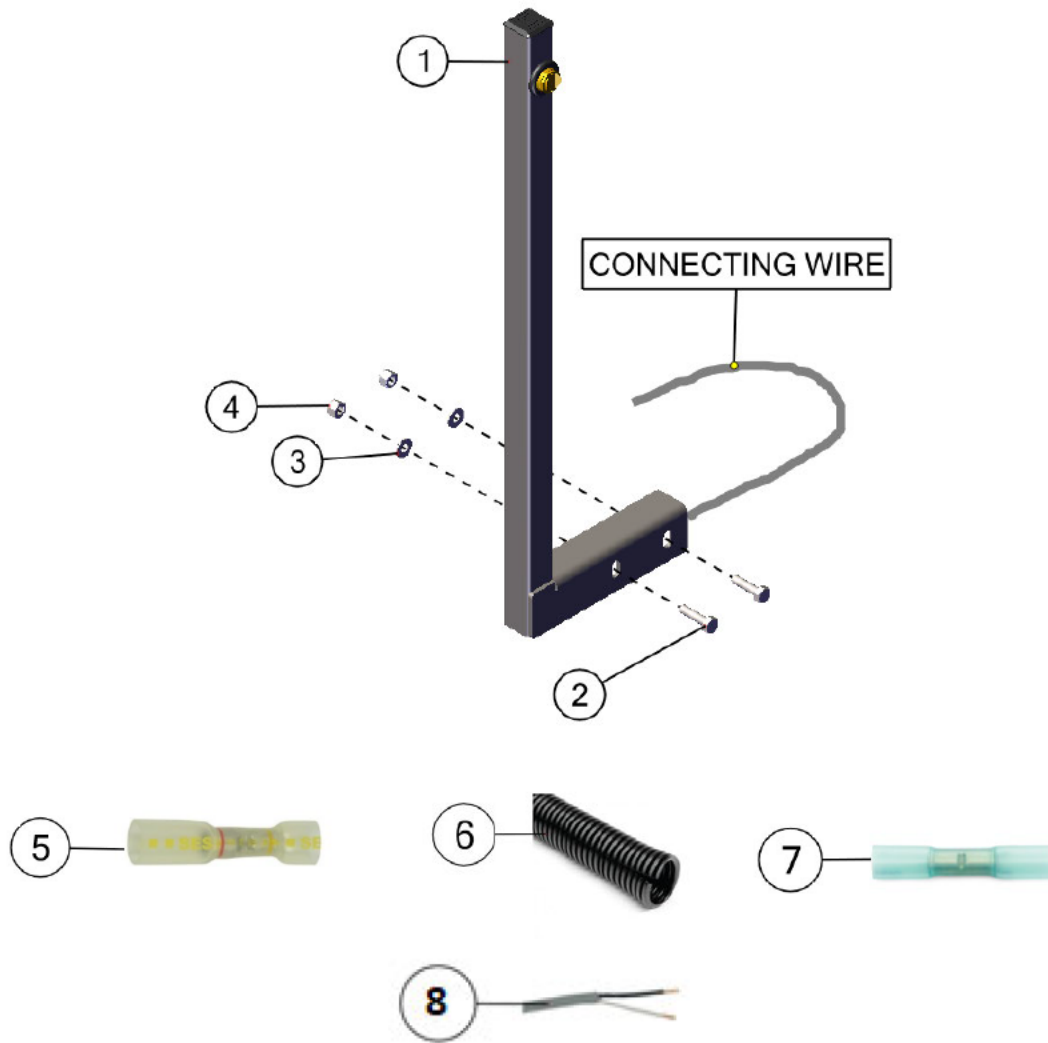


FIGURE 3 Parts List

REF. NO.	PART NO.	DESCRIPTION	VVK01 QTY.	VVK02 QTY.	VVK03 QTY.
1	135500175	FRONT CLEARANCE MARKER LAMP BRACKET (ASSEMBLED)	1	1	1
2	P-1473	1/4-20 X 1 HEX HEAD BOLT	2	2	2
3	P-1472	1/4 ID FLAT WASHER	2	2	2
4	P-2782	1/4-20 NYLON LOCKNUT	2	2	2
5	135500217	12-10 HEAT SEAL BUTT CONNECTOR	2	2	2
6	P-2762	1/2" SPLIT WIRE LOOM, 36" (91.4 cm) LENGTH	1	1	1
7	P-2369	16-14 HEAT SEAL BUTT CONNECTOR BLUE	2	2	2
8	P-1054	20' LENGTH (609.6 cm) LENGTH DUAL CORE CONDUCTOR WIRE	0	0	1

Figure 4

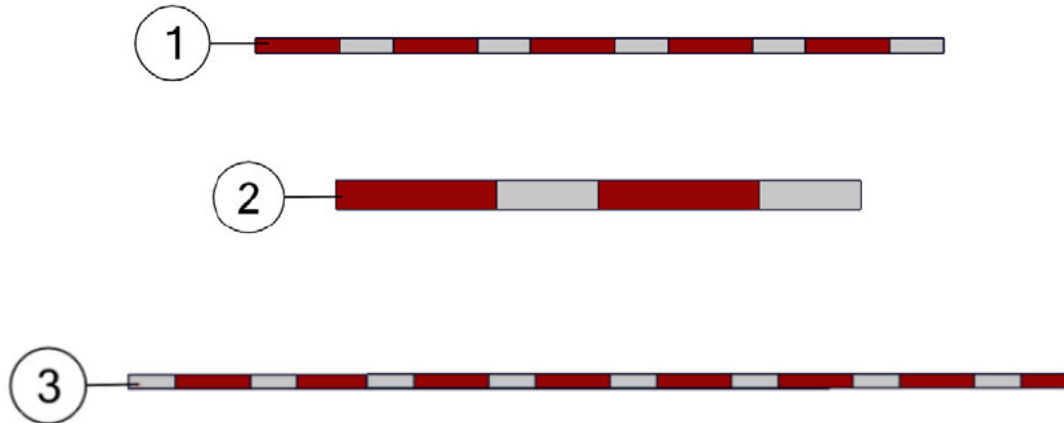


FIGURE 4 Parts List					
REF. NO.	PART NO.	DESCRIPTION	VVK01 QTY.	VVK02 QTY.	VVK03 QTY.
1	P-0485	2" (2.54 cm) WIDE, 25" (63.5 cm) LONG CONSPICUITY TAPE	2	0	2
2	P-0485	2" (2.5 cm) WIDE, 101" (256.5 cm) LONG CONSPICUITY TAPE	1	0	1
3	P-0485	2" (2.54 cm) WIDE, 142.5" (362 cm) LONG CONSPICUITY TAPE	1	0	1

Figure 5

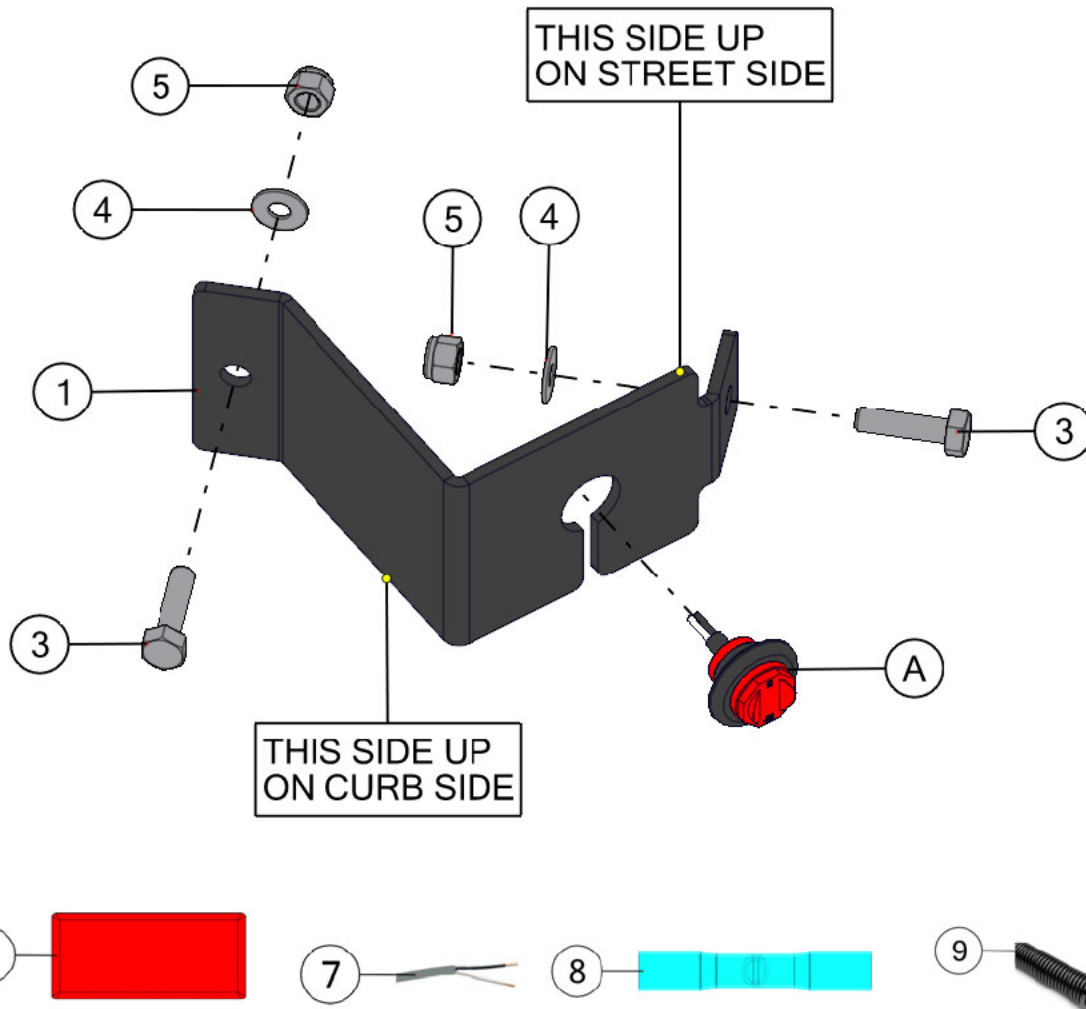


FIGURE 5 Parts List					
REF. NO.	PART NO.	DESCRIPTION	VVK01 QTY.	VVK02 QTY.	VVK03 QTY.
1	B125-5748	REAR CORNER/SIDE CLEARANCE MARKER LAMP BRACKET	2	0	2
2	P-4189	REAR CORNER/SIDE CLEARANCE MARKER LAMP (EXISTING ON TRAILER)	2	0	2
3	P-1473	1/4-20 X 1 HEX HEAD BOLT	4	0	4
4	P-1472	1/4 ID FLAT WASHER	4	0	4
5	P-2782	1/4-20 NYLON LOCKNUT	4	0	4
6	P-5730	REAR SIDE MARKER REFLECTOR	4	0	4
7	P-1054-0	1' (30.48 cm) LENGTH DUAL CORE CONDUCTOR WIRE	2	0	2
8	P-2369-0	16-14 HEAT SEAL BUTT CONNECTOR BLUE	8	0	8

Figure 6

2



FIGURE 6 Parts List					
<u>REF. NO.</u>	<u>PART NO.</u>	<u>DESCRIPTION</u>	<u>VVK01 QTY.</u>	<u>VVK02 QTY.</u>	<u>VVK03 QTY.</u>
1	P-5783	WHITE CONSPICUITY TAPE, 12" LENGTH	4	0	4

Figure 7



FIGURE 7 Parts List					
<u>REF. NO.</u>	<u>PART NO.</u>	<u>DESCRIPTION</u>	<u>VVK01 QTY.</u>	<u>VVK02 QTY.</u>	<u>VVK03 QTY.</u>
1	S400-5761	REINF. Rr XMBR 800 HVY	2	0	2

FIGURE 8

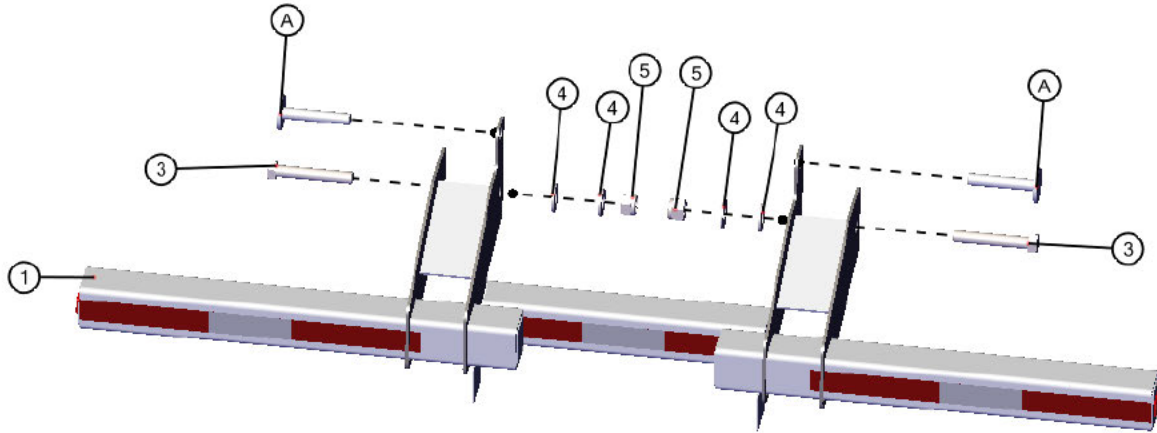


FIGURE 8 Parts List

REF. NO.	PART NO.	DESCRIPTION	VVK01 QTY.	VVK02 QTY.	VVK03 QTY.
1	SA-5729	REAR EXTENSION	1	0	1
A	SA-4471	HEADED PIN (EXISTING ON TRAILER)	2	0	2
3	135500218	1-8 X 6-1/2 HEX BOLT	2	0	2
4	P-3827	1 ID FLAT WASHER	4	0	4
5	P-2626	1-8 PREVAILING TORQUE NUT	2	0	2

FIGURE 9

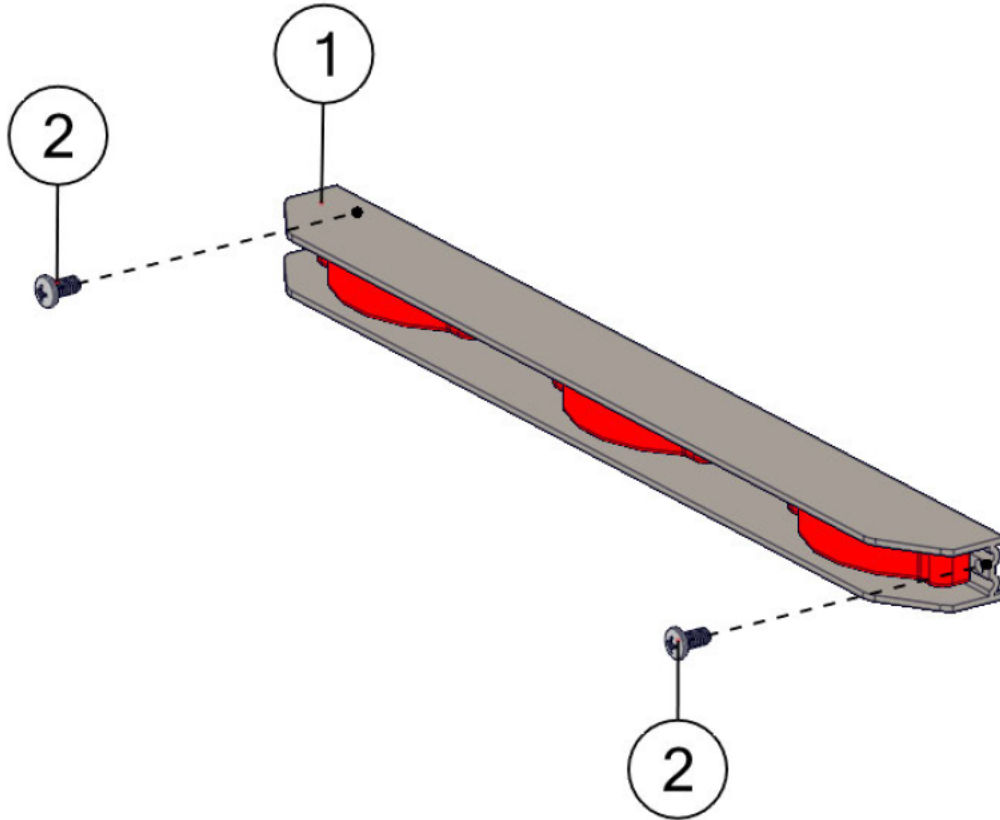


FIGURE 9 Parts List

REF. NO.	PART NO.	DESCRIPTION	VVK01 QTY.	VVK02 QTY.	VVK03 QTY.
1	P-0919	3 RED LIGHT BAR	0	0	0
2	P-1421	10-24 X 1/2 PHIL HEAD SCREW	0	0	0