



# WARRANTY BULLETIN SAFETY CAMPAIGN

Can-Am® On-Road Spyder™

**⚠️WARNING: All involved customers must be notified, all involved units must be corrected as per instruction herein.**

Campaign no.: 2020-0007

April 1, 2020

Subject: **Can-Am® Spyder RT – Emergency Braking  
Situation: Possible Sudden Loss of Brake**

No. **2020-5**

MODEL YEAR	MODEL	ADMISSIBLE UNITS
2020	Can-Am OnRoad Spyder RT	Go to BOSSWeb/Warranty/Campaign Monitoring to know the quantity of units in your inventory impacted by this campaign

### IMPORTANT

- When a vehicle comes in for service, always type the VIN in Knowledge Center to check for pending campaigns or alerts.
- When performing any work on a vehicle, it is good practice to connect it to BUDS2 to ensure that all needed updates are done.

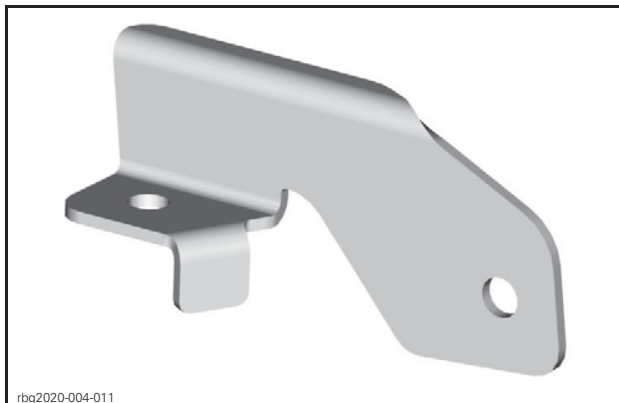


## PROBLEM

In emergency braking situations, the support which holds the brake mechanism could break and cause a total loss of braking capacity. This may increase the risk of a crash.

## SOLUTION

Install a bracket to secure the brake mechanism to the rear footrest support.



rbg2020-004-011

## PARTS REQUIRED

### COVID-19

In the light of the COVID-19 situation, as local authorities continue to adopt 'Stay at Home' policies in different parts of the world, it may affect the availability of some parts, or slow the process down. Nonetheless, we are committed to continue to provide you with the safety recall information related to vehicles and we are doing our best to reduce the potential impact that this situation may have on your business.

Order parts through regular channel.

DESCRIPTION	PART NUMBER	QTY
Footrest support kit	219800500	1
Included in the kit		
Bracket	Not available separately	1
M6 x 16 Hex. flange screw	207561644	2

DESCRIPTION	PART NUMBER	QTY
M6 Hex. flange nut	233061414	1
Muffler clamp	707600980	1
Drill spacer	705700018	1

## CORRECTIVE ACTION

### ⚠ WARNING

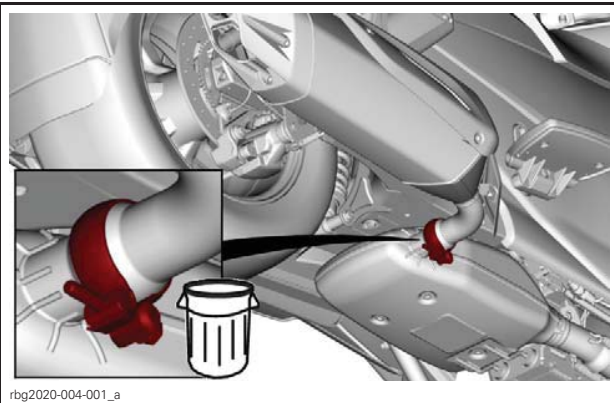
To avoid potential burns, never touch exhaust system components immediately after the engine has been run as these components are very hot. Let engine and exhaust system cool down before performing any servicing.

1. Safely, lift the rear of the vehicle in order to have access to the master-cylinder area. Refer to the *INTRODUCTION* subsection in the appropriate shop manual.

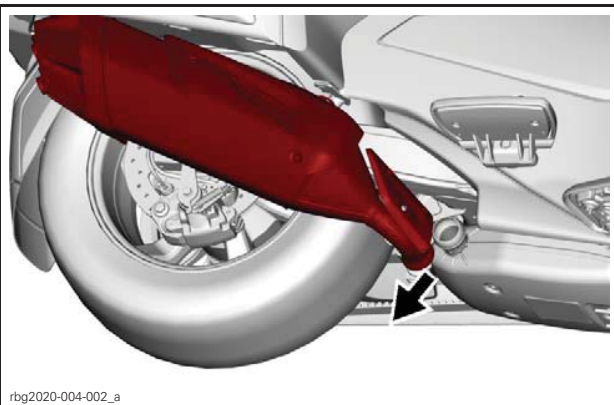


Refer to appropriate **online SHOP MANUAL** for the lifting procedure.

2. Remove and discard the exhaust clamp.



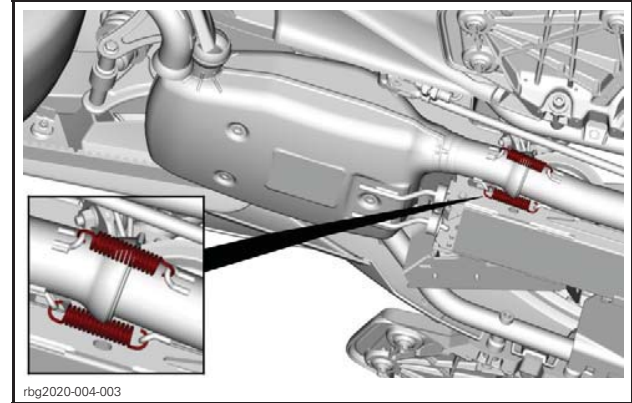
3. Pivot the front of the secondary muffler downwards.



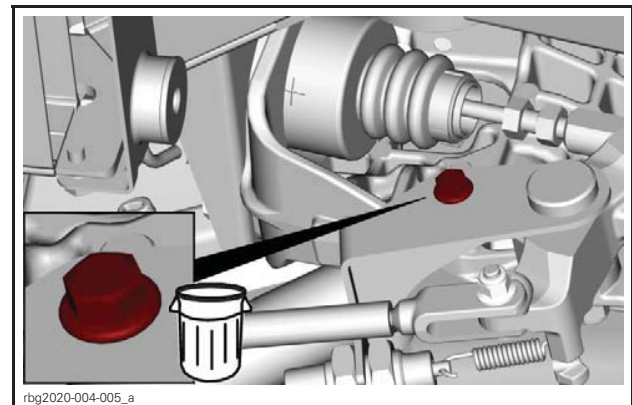
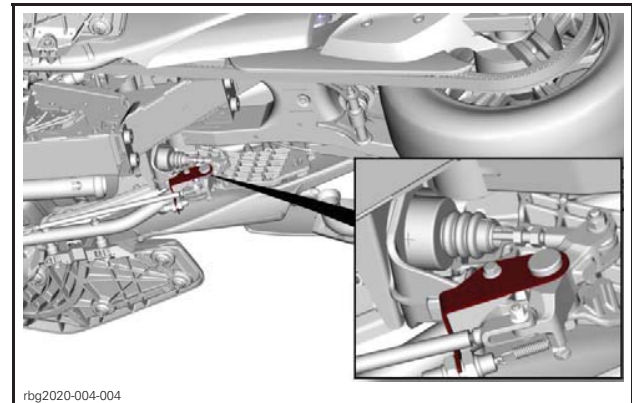
4. Remove the primary muffler retaining springs.
 

**NOTE:** It is highly recommended to use the following tool.

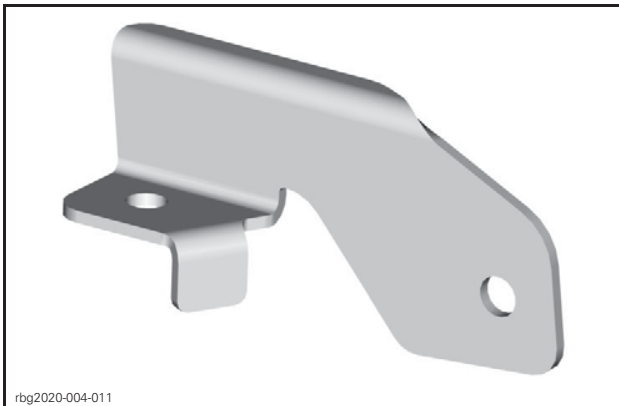
REQUIRED TOOL	
SPRING INSTALLER/REMOVER (P/N 529 035 983)	



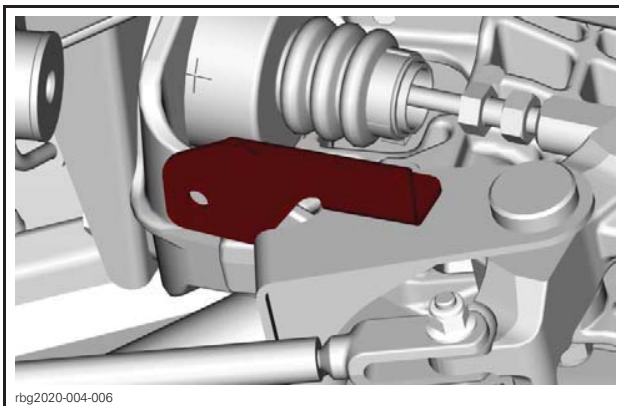
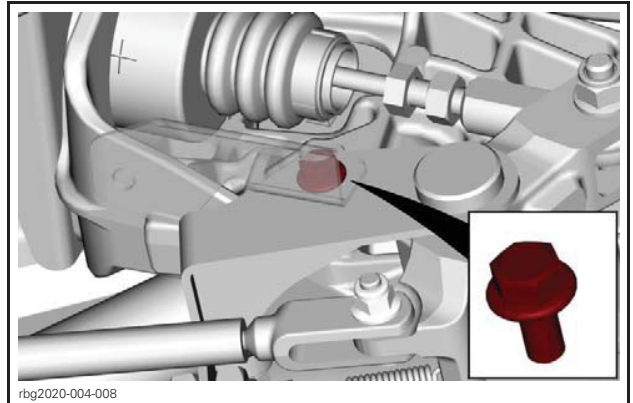
5. Remove the primary muffler from the vehicle.
6. Remove and discard the screw from the brake light switch bracket.



7. Position the bracket onto the brake light switch and the footrest support.



9. Install a new screw through the brake light switch and reinforcement brackets.



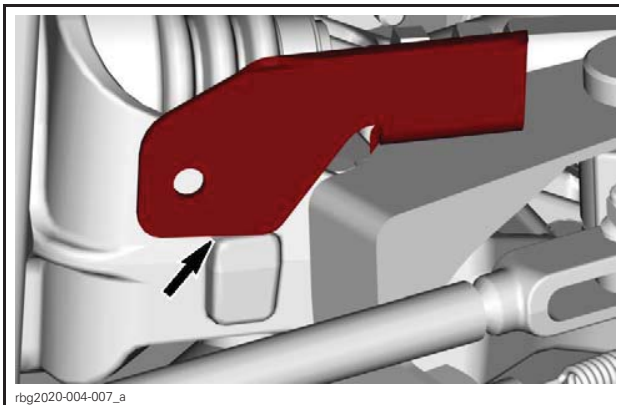
10. Tighten to specification.

TIGHTENING TORQUE	
Screw	10 N•m ± 2 N•m (89 lbf•in ± 18 lbf•in)

11. Use the bracket as a template to drill a hole through the footrest support.

REQUIRED TOOL
6.5 mm (1/4 in) Drill bit
Drill bit spacer (P/N 705700018)

8. Make sure the bracket edge leans on the footrest support emboss.



NOTE: Using a 90° chuck drill makes the operation easier.

**NOTICE** Strictly adhering to procedure prevents from touching the master-cylinder below on the other side of the support.

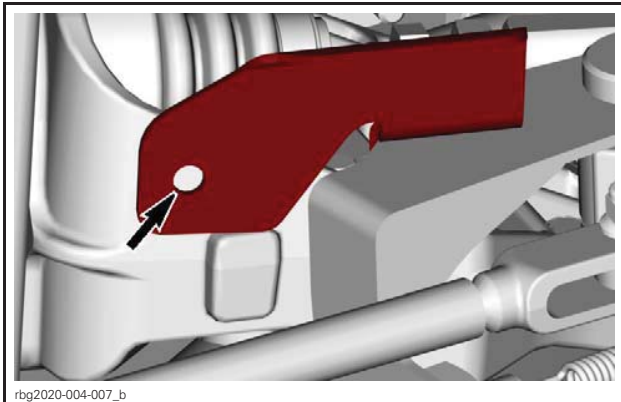
12. Adjust the drill bit length in the drill chuck in order to have only 20 mm (3/4 in) of the drill bit out of the spacer.

NOTE: The spacer is made for a standard 100 mm (4 in) long drill bit.



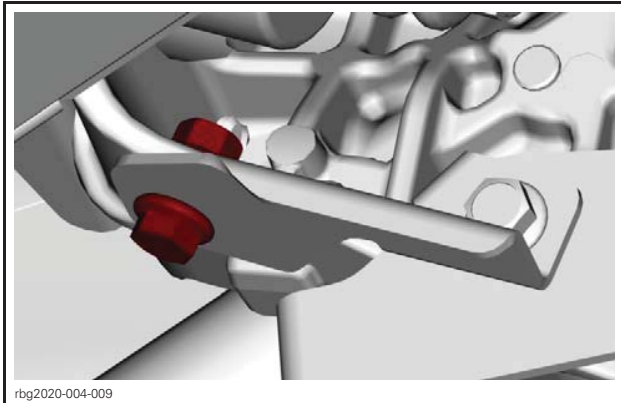
A. 20 mm (3/4 in)

13. Use the spacer as a guide to be sure to drill at 90° from the bracket.



NOTE: Keep the spacer to perform this procedure on future vehicles. Future kits might not include the spacer.

14. Install a new screw and nut and tighten to specification.



TIGHTENING TORQUE	
Screw	10 N•m ± 2 N•m (89 lbf•in ± 18 lbf•in)

15. Reinstall primary and secondary mufflers.  
16. Install the new exhaust clamp.

TIGHTENING TORQUE	
Exhaust clamp	35 N•m ± 2 N•m (26 lbf•ft ± 1 lbf•ft)

# WARRANTY

Submit a warranty claim using the following information.

For claiming procedure, refer to the *DEALER/DISTRIBUTOR WARRANTY GUIDE*.

Product Line	Can-Am On Road	
Unit Model Year	2020	
Campaign/Bulletin/Description	7 / 2020-5 / BRAKE LOSS - BRACKET INSTALL	
<b>*Action</b>		
<b>Inspect</b>	<b>Repair</b>	
<input type="checkbox"/>	<input checked="" type="checkbox"/>	
Total Labor time paid	0.7 hour	