

April 2020
 FL845A-X
 NHTSA #20V-127 (Non-School Bus)
 NHTSA #20V-126 (School Bus)
 Transport Canada #2020-086 (Non-School Bus)
 Transport Canada #2020-085 (School Bus)

Subject: Brake Caliper Mounting Bolts

Models Affected: Specific Freightliner 108SD, 114SD, Argosy, Business Class M2, Cascadia, and Columbia vehicles; Western Star 4700 and 5700 vehicles; Freightliner Custom Chassis S2C, S2G, XB, and XC chassis; and Thomas Built Buses Saf-T Liner C2, EFX, and HDX buses manufactured September 4, 2018, through March 29 2019, and equipped with air disc brakes.

General Information

Daimler Trucks North America LLC (DTNA), on behalf of its Freightliner Trucks Division and wholly owned subsidiaries, Western Star Truck Sales, Inc., Freightliner Custom Chassis Corporation, and Thomas Built Buses, has decided that a defect that relates to motor vehicle safety exists on the vehicles mentioned above.

There are approximately 3,413 vehicles involved in this campaign.

On certain vehicles, insufficiently torqued caliper mounting bolts may not provide adequate clamping force between the brake caliper and brake anchor plate, potentially resulting in reduced brake effectiveness, which could increase the risk of a crash.

Caliper mounting bolts will be inspected and replaced as needed.

Additional Repairs

Dealers must complete all outstanding Recall and Field Service campaigns prior to the sale or delivery of a vehicle. A Dealer will be liable for any progressive damage that results from its failure to complete campaigns before sale or delivery of a vehicle.

Owners may be liable for any progressive damage that results from failure to complete campaigns within a reasonable time after receiving notification.

Work Instructions

Please refer to the attached work instructions. Prior to performing the campaign, check the vehicle for a completion sticker (Form WAR260).

Replacement Parts

Replacement parts are now available and can be obtained by ordering the part number(s) listed below from your facing Parts Distribution Center. **Each group in the recall may include both front and rear axles and different caliper types, as noted for each group in the table below.**

If our records show your dealership has ordered any vehicles involved in campaign number FL845, a list of the customers and vehicle identification numbers will be available in OWL. Please refer to this list when ordering parts for this recall.

Table 1 - Replacement Parts for FL845

Campaign Number	Vehicle Type / Population Qty.	Part Number	Part Description	Qty. per Caliper
FL845A Front & Rear Axle Bendix Axial Caliper	Truck	23-09114-004	WASHER-HRDN,0.81X1.47X.177,ZN	6 ea
	1,063	N210931 020001	SCREW-CAP,HEX,M20X60,10.9,P/O	

Table 1, Continued on page 2

April 2020
 FL845A-X
 NHTSA #20V-127 (Non-School Bus)
 NHTSA #20V-126 (School Bus)
 Transport Canada #2020-086 (Non-School Bus)
 Transport Canada #2020-085 (School Bus)

Campaign Number	Vehicle Type / Population Qty.	Part Number	Part Description	Qty. per Caliper
FL845B Front Axle Bendix Axial Caliper	Truck 77	23-09114-004	WASHER-HRDN,0.81X1.47X.177,ZN	6 ea
		N210931 020001	SCREW-CAP,HEX,M20X60,10.9,P/O	
FL845C Front & Rear Axle Bendix Radial Caliper	Truck 7	23-13315-110	SCRW HX,SCKTHD,M16-2X110,12.9	6 ea
FL845D Front Axle Bendix Radial Caliper	Truck 1	23-13315-110	SCRW HX,SCKTHD,M16-2X110,12.9	6 ea
FL845E Front Axle Bendix Radial Caliper	Truck 98	23-13315-110	SCRW HX,SCKTHD,M16-2X110,12.9	6 ea
FL845E Rear Axle Bendix Axial Caliper		23-09114-004	WASHER-HRDN,0.81X1.47X.177,ZN	6 ea
		N210931 020001	SCREW-CAP,HEX,M20X60,10.9,P/O	
FL845F Front & Rear Axle Wabco Radial Caliper	Truck 5	23-13843-070	SCREW-CAP,SKT HD,M20X1.5X70	6 ea
FL845G Front Axle Wabco Radial Caliper	Truck 1	23-13843-070	SCREW-CAP,SKT HD,M20X1.5X70	6 ea
FL845H Front Axle Wabco Radial Caliper	Truck 17	23-13843-070	SCREW-CAP,SKT HD,M20X1.5X70	6 ea
FL845H Rear Axle Wabco Axial Caliper		23-09114-004	WASHER-HRDN,0.81X1.47X.177,ZN	6 ea
		N210931 020001	SCREW-CAP,HEX,M20X60,10.9,P/O	
FL845I Front & Rear Axle Wabco Axial Caliper	Truck 207	23-09114-004	WASHER-HRDN,0.81X1.47X.177,ZN	6 ea
		N210931 020001	SCREW-CAP,HEX,M20X60,10.9,P/O	
FL845J Front Axle Wabco Axial Caliper	Truck 15	23-09114-004	WASHER-HRDN,0.81X1.47X.177,ZN	6 ea
		N210931 020001	SCREW-CAP,HEX,M20X60,10.9,P/O	
FL845K Front & Rear Axle Meritor Axial Caliper	Truck 480	23-09114-004	WASHER-HRDN,0.81X1.47X.177,ZN	6 ea
		N210931 020001	SCREW-CAP,HEX,M20X60,10.9,P/O	
FL845L Front Axle Meritor Axial Caliper	Truck 22	23-09114-004	WASHER-HRDN,0.81X1.47X.177,ZN	6 ea
		N210931 020001	SCREW-CAP,HEX,M20X60,10.9,P/O	
FL845M Front & Rear Axle Meritor H Axial Caliper	Truck 105	23-14285-055	BOLT-HEX,PC10.9,PO,M20X1.5X55	6 ea
FL845N Front Axle Meritor Radial Caliper	Truck 8	TDA 41X1801	CAPSCREW M20	4 ea
FL845O Front Axle Meritor Radial Caliper	Truck 52	TDA 41X1801	CAPSCREW M20	4 ea
FL845O Rear Axle Meritor Axial Caliper		23-09114-004	WASHER-HRDN,0.81X1.47X.177,ZN	6 ea
		N210931 020001	SCREW-CAP,HEX,M20X60,10.9,P/O	
FL845P Front & Rear Axle Bendix Axial Caliper	Shuttle Bus 17	23-09114-004	WASHER-HRDN,0.81X1.47X.177,ZN	6 ea
		N210931 020001	SCREW-CAP,HEX,M20X60,10.9,P/O	
		23-09114-004 23-12893-060	WASHER-HRDN,0.81X1.47X.177,ZN SCREW-CAP,HEX,M20,10.9,ZN,YL	
FL845Q Front Axle Bendix Axial Caliper	RV & Shuttle Bus 569	23-09114-004	WASHER-HRDN,0.81X1.47X.177,ZN	6 ea
		N210931 020001	SCREW-CAP,HEX,M20X60,10.9,P/O	
FL845R Rear Axle Bendix Axial Caliper	RV 66	23-09114-004	WASHER-HRDN,0.81X1.47X.177,ZN	6 ea
		23-12893-060	SCREW-CAP,HEX,M20,10.9,ZN,YL	
FL845S Front & Rear Axle Bendix Radial Caliper	Shuttle Bus 5	23-13315-110	SCRW HX,SCKTHD,M16-2X110,12.9	6 ea
FL845T Front & Rear Axle Bendix Axial Caliper	School Bus 169	23-09114-004	WASHER-HRDN,0.81X1.47X.177,ZN	6 ea
		N210931 020001	SCREW-CAP,HEX,M20X60,10.9,P/O	
FL845U Front & Rear Axle Bendix Radial Caliper	School Bus 416	23-13315-110	SCRW HX,SCKTHD,M16-2X110,12.9	6 ea

Table 1, Cont. from page 1

April 2020
 FL845A-X
 NHTSA #20V-127 (Non-School Bus)
 NHTSA #20V-126 (School Bus)
 Transport Canada #2020-086 (Non-School Bus)
 Transport Canada #2020-085 (School Bus)

Campaign Number	Vehicle Type / Population Qty.	Part Number	Part Description	Qty. per Caliper
FL845V Front Axle Bendix Axial Caliper	RV 8	23-09114-004	WASHER-HRDN,0.81X1.47X.177,ZN	6 ea
		N210931 020001	SCREW-CAP,HEX,M20X60,10.9,P/O	
FL845W Front & Rear Axle Bendix Axial Caliper	RV 4	23-09114-004	WASHER-HRDN,0.81X1.47X.177,ZN	6 ea
		N210931 020001	SCREW-CAP,HEX,M20X60,10.9,P/O	
FL845X Rear Axle Bendix Axial Caliper	RV 1	23-09114-004	WASHER-HRDN,0.81X1.47X.177,ZN	6 ea
		23-12893-060	SCREW-CAP,HEX,M20,10.9,ZN,YL	
FL845A-X	All	WAR260	BLANK COMPLETION STICKER	1 ea

Table 1, Cont. from page 2

Removed Parts

U.S. and Canadian Dealers, please follow Warranty Failed Parts Tracking shipping instructions for the disposition of all removed parts. Export distributors, please destroy removed parts unless otherwise advised.

Labor Allowance

Table 2 - Labor Allowance

Campaign Number/Group	Procedure	Time Allowed (hours)	SRT Code	Corrective Action
FL845 B,D,G,J,L & N (Truck)	Inspect caliper bolts, front axle	1.0	996-R088A	06-Inspect
	Torque caliper bolts, front axle		996-R088B	12-Repair Recall/Campaign
FL845 A,C,E,F,H,I,K, M,O,S & U (Truck)	Inspect caliper bolts, front and rear axle	2.0	996-R088C	06-Inspect
	Torque caliper bolts, front and rear axle		996-R088D	12-Repair Recall/Campaign
FL845A-O (Truck)	Inspect caliper bolts, each additional rear axle	1.1	996-R088E	06-Inspect
	Torque caliper bolts, each additional rear axle		996-R088F	12-Repair Recall/Campaign
FL845Q & V (RV/Bus)	Inspect caliper bolts, front axle, with radial runout check	1.2	996-R088G	06-Inspect
	Torque caliper bolts, front axle, with radial runout check		996-R088H	12-Repair Recall/Campaign
FL845R & X (RV/Bus)	Inspect caliper bolts, rear axle, with radial runout check	1.2	996-R088I	06-Inspect
	Torque caliper bolts, rear axle, with radial runout check		996-R088J	12-Repair Recall/Campaign
FL845 P T & W (RV/Bus)	Inspect caliper bolts, front and rear axle, with radial runout check	2.4	996-R088K	06-Inspect
	Torque caliper bolts, front and rear axle, with radial runout check		996-R088L	12-Repair Recall/Campaign
FL845A-X (Truck/RV/Bus)	Replace caliper bolts, one caliper (claim this SRT once for each caliper requiring new bolts, up to 6 times)	0.5	996-R088G	12-Repair Recall/Campaign

Table 2

April 2020
FL845A-X
NHTSA #20V-127 (Non-School Bus)
NHTSA #20V-126 (School Bus)
Transport Canada #2020-086 (Non-School Bus)
Transport Canada #2020-085 (School Bus)

IMPORTANT: When the Recall has been completed, locate the base completion label in the appropriate location on the vehicle, and attach the red completion sticker provided in the recall kit (Form WAR260). If the vehicle does not have a base completion label, clean a spot on the appropriate location of the vehicle and first attach the base completion label (Form WAR259). If a recall kit is not required or there is no completion sticker in the kit, write the recall number on a blank sticker and attach it to the base completion label.

Claims for Credit

You will be reimbursed for your parts, labor, and handling (landed cost for Export Distributors) by submitting your claim through the Warranty system within 30 days of completing this campaign. Please reference the following information in OWL:

- Claim type is **Recall Campaign**.
- In the FTL Authorization field, enter the campaign number and appropriate condition code (e.g. **FL845-A, FL845-B, etc.**).
- In the Primary Failed Part Number field, enter **25-FL845-000**.
- In the Parts field, enter the appropriate part number(s) as shown in the Replacement Parts Table.
- **Vehicles in FL845P, Q, R, V, W, & X are required to record the “final” radial runout**, note the wheel location, and **include the information in the claim story of the recall claim**.
- In the Labor field, first enter the appropriate SRT from the Labor Allowance Table. Administrative time will be included automatically as SRT 939-6010A for 0.4 hours for RVs or 0.3 hours for all other vehicles. **Some SRTs are optional, and, if needed, must be added manually**
- The VMRS Component Code is **F99-999-005** and the Cause Code is **A1 - Campaign**.
- **U.S. and Canada -- Reimbursement for Prior Repairs.** When a customer asks about reimbursement, please do the following:
 - Accept the documentation of the previous repair.
 - Make a brief check of the customer’s paperwork to see if the repair may be eligible for reimbursement. (See the "Copy of Owner Letter" section of this bulletin for reimbursement guidelines.)
 - Submit an OWL Recall Pre-Approval Request for a decision.
 - Include the approved amount on your claim in the Other Charges section.
 - Attach the documentation to the pre-approval request.
 - If approved, submit a based on claim for the pre-approval.
 - Reimburse the customer the appropriate amount.

IMPORTANT: OWL must be viewed prior to performing the recall to ensure the vehicle is involved and the campaign has not been previously completed. Also, check for a completion sticker prior to beginning work.

U.S. and Canadian dealers: Contact the Warranty Campaigns Department via Web inquiry at DTNACconnect.com / WSC, or the Customer Assistance Center at (800) 385-4357, after normal business hours, if you have any questions or need additional information. Export distributors, submit a Web inquiry or contact your International Service Manager.

April 2020

FL845A-X

NHTSA #20V-127 (Non-School Bus)

NHTSA #20V-126 (School Bus)

Transport Canada #2020-086 (Non-School Bus)

Transport Canada #2020-085 (School Bus)

U.S. and Canadian Dealers: To return excess kit inventory related to this campaign, U.S. dealers must submit a Parts Authorization Return (PAR) to the Memphis PDC. Canadian dealers must submit a PAR to their facing PDC. All kits must be in resalable condition. PAR requests must include the original purchase invoice number. Export Distributors: Excess inventory is not returnable.

The letter notifying U.S. and Canadian vehicle owners is included for your reference.

Please note that the National Traffic and Motor Vehicle Safety Act, as amended (Title 49, United States Code, Chapter 301), requires the owner's vehicle(s) be corrected within a reasonable time after parts are available to you. The Act states that failure to repair a vehicle within 60 days after tender for repair shall be prima facie evidence of an unreasonable time. However, circumstances of a particular situation may reduce the 60 day period. Failure to repair a vehicle within a reasonable time can result in either the obligation to (a) replace the vehicle with an identical or reasonably equivalent vehicle, without charge, or (b) refund the purchase price in full, less a reasonable allowance for depreciation. The Act further prohibits dealers from selling a vehicle unless all outstanding recalls are performed. Any lessor is required to send a copy of the recall notification to the lessee within 10 days. Any subsequent stage manufacturer is required to forward this notice to its distributors and retail outlets within five working days.

April 2020
FL845A-X
NHTSA #20V-127 (Non-School Bus)
NHTSA #20V-126 (School Bus)
Transport Canada #2020-086 (Non-School Bus)
Transport Canada #2020-085 (School Bus)

Copy of Notice to Owners

Subject: Brake Caliper Mounting Bolts

For the Notice to U.S. Customers: This notice is sent to you in accordance with the National Traffic and Motor Vehicle Safety Act. **For the Notice to Canadian Customers:** This notice is sent to you in accordance with the Canadian Motor Vehicle Safety Act.

Daimler Trucks North America LLC (DTNA), on behalf of its Freightliner Trucks Division and wholly owned subsidiaries, Western Star Truck Sales, Inc., Freightliner Custom Chassis Corporation, and Thomas Built Buses, has decided that a defect that relates to motor vehicle safety exists on specific Freightliner 108SD, 114SD, Argosy, Business Class M2, Cascadia, and Columbia vehicles; Western Star 4700 and 5700 vehicles; Freightliner Custom Chassis S2C, S2G, XB, and XC chassis; and Thomas Built Buses Saf-T Liner C2, EFX, and HDX buses manufactured September 4, 2018, through March 29, 2019, and equipped with air disc brakes.

On certain vehicles, insufficiently torqued caliper mounting bolts may not provide adequate clamping force between the brake caliper and brake anchor plate, potentially resulting in reduced brake effectiveness, which could increase the risk of a crash.

Caliper mounting bolts will be inspected and replaced as needed.

Please contact an authorized Daimler Trucks North America dealer to arrange to have the Recall performed and to ensure that parts are available at the dealership. To locate an authorized dealer, search online at www.Daimler-TrucksNorthAmerica.com. On the menu tab, select "Contact," scroll down to "Find a Dealer," and select the appropriate brand. The Recall will take up to four hours, depending on the work needed, and will be performed at no charge to you.

You may be liable for any progressive damage that results from your failure to complete the Recall within a reasonable time after receiving notification.

If you do not own the vehicle that corresponds to the identification number(s) which appears on the Recall Notification, please return the notification to the Warranty Campaigns Department with any information you can furnish that will assist us in locating the present owner. If you have leased this vehicle, Federal law requires that you forward this notice to the lessee within 10 days. If you are a subsequent stage manufacturer, Federal law requires that you forward this notice to your distributors and retail outlets within five working days. If you have paid to have this recall condition corrected prior to this notice, you may be eligible to receive reimbursement. Please see the reverse side of this notice for details.

For the Notice to U.S. Customers: If you have questions about this Recall, please contact the Warranty Campaigns Department at (800) 547-0712, 7:00 a.m. to 4:00 p.m. Pacific Time, Monday through Friday, e-mail address DTNA.Warranty.Campaigns@Daimler.com, or the Customer Assistance Center at (800) 385-4357 after normal business hours. If you are not able to have the defect remedied without charge and within a reasonable time, you may wish to submit a complaint to the Administrator, National Highway Traffic Safety Administration, 1200 New Jersey Avenue, SE., Washington, DC 20590; or call the Vehicle Safety Hotline at (888) 327-4236 (TTY: 800-424-9153); or to <http://www.safercar.gov>. **For the Notice to Canadian Customers:** If you have questions about this Recall, please contact the Warranty Campaigns Department at (800) 547-0712, 7:00 a.m. to 4:00 p.m. Pacific Time, Monday through Friday, e-mail address DTNA.Warranty.Campaigns@Daimler.com, or the Customer Assistance Center at (800) 385-4357 after normal business hours.

We regret any inconvenience this action may cause but feel certain you understand our interest in motor vehicle safety.

WARRANTY CAMPAIGNS DEPARTMENT

Enclosure

April 2020
FL845A-X
NHTSA #20V-127 (Non-School Bus)
NHTSA #20V-126 (School Bus)
Transport Canada #2020-087 (Non-School Bus)
Transport Canada #2020-086 (School Bus)

Reimbursement to Customers for Repairs Performed Prior to Recall

If you have already **paid** to have this recall condition corrected you may be eligible to receive reimbursement.

Requests for reimbursement may include parts and labor. Reimbursement may be limited to the amount the repair would have cost if completed by an authorized Daimler Trucks North America LLC dealer. The following documentation must be presented to your dealer for consideration for reimbursement.

Please provide original or clear copies of all receipts, invoices, and repair orders that show:

- The name and address of the person who paid for the repair
- The Vehicle Identification Number (VIN) of the vehicle that was repaired
- What problem occurred, what repair was done, when the repair was done
- Who repaired the vehicle
- The total cost of the repair expense that is being claimed
- Proof of payment for the repair (such as the front and back of a cancelled check or a credit card receipt)

Reimbursement will be made by check from your Daimler Trucks North America LLC dealer.

Please speak with your Daimler Trucks North America LLC authorized dealer concerning this matter.

April 2020
FL845A-X
NHTSA #20V-127 (Non-School Bus)
NHTSA #20V-126 (School Bus)
Transport Canada #2020-087 (Non-School Bus)
Transport Canada #2020-086 (School Bus)

Work Instructions

Subject: Brake Caliper Mounting Bolts

Models Affected: Specific Freightliner 108SD, 114SD, Argosy, Business Class M2, Cascadia, and Columbia vehicles; Western Star 4700 and 5700 vehicles; Freightliner Custom Chassis S2C, S2G, XB, and XC chassis; and Thomas Built Buses Saf-T Liner C2, EFX, and HDX buses manufactured September 4, 2018, through March 29 2019, and equipped with air disc brakes.

General Information

IMPORTANT: Vehicles may have both **axial and radial** mounted calipers. Follow the work instructions based on the type of calipers on the vehicle:

- NOTE: XC motorhome chassis have ZF independent front axles. No work is needed on ZF front axle calipers. See [Table 3](#) to determine the type of caliper installed on the vehicle and the page number for the instructions.

Caliper Type	Campaign Group Letter and Axle Position	Page Number
Bendix Axial	FL845A (Front/Rear) FL845B (Front) FL845E (Rear)	9
Bendix Radial	FL845C (Front/Rear) FL845D (Front) FL845E (Front) FL845S (Front/Rear) FL845U (Front/Rear)	14
Meritor Axial	FL845K (Front/Rear) FL845L (Front) FL845M (Front/Rear) FL845O (Rear)	18
Meritor Radial	FL845N (Front) FL845O (Front)	20
WABCO Maxxus Axial	FL845H (Rear) FL845I (Front/Rear) FL845J (Front)	23
WABCO Maxxus Radial	FL845F (Front & Rear) FL845G (Front) FL845H (Front)	25
Bendix Axial (with radial runout)	FL845P (Front/Rear) FL845Q (Front) FL845R (Rear) FL845T (Front/Rear) FL845V (Front) FL845W (Front/Rear) FL845X (Rear)	28

Table 3, Caliper Type and Instruction Page Number

April 2020
FL845A-X
NHTSA #20V-127 (Non-School Bus)
NHTSA #20V-126 (School Bus)
Transport Canada #2020-087 (Non-School Bus)
Transport Canada #2020-086 (School Bus)

Front and/or Rear Caliper/Carrier Assembly Inspection and Installation - Bendix Axial Mounted Calipers

1. Check the base label (Form WAR259) for a completion sticker for FL845 (Form WAR260) indicating this work has been done. The base label is usually located on the passenger-side door, about 12 inches (30 cm) below the door latch. If a sticker is present for FL845, no work is needed. If there is no sticker, proceed with the next step.
2. Park the vehicle on a level surface, shut down the engine, and set the parking brake. Chock the tires.

DANGER

When working on the vehicle, shut down the engine, set the parking brake, and chock the tires. Before working under the vehicle, always place jack stands under the frame rails to ensure the vehicle cannot drop. Failure to follow these steps could result in serious personal injury or death.

3. Raise the vehicle and support it on jack stands.
4. Remove all of the wheel assemblies.

NOTE: In all steps that require a torque wrench, use a Snap On torque wrench ATECH4RS600, or an equivalent, with a center to handle length of 47 inches (119 cm).

5. Set a torque wrench to 350 lbf·ft (475 N·m) and tighten the caliper mounting bolts. If they do not turn, go to step 13. If they turn, go to step 6. Due to limited caliper bolt access, it may be necessary to use tool DDC DSNCHA018005 referenced in tool letter 18TL18. If the tool is needed, use tool DDC DSNCHA018005 only and no other tools. See [Fig. 1](#). for a 47 in (119 cm) long wrench. see [Table 4](#). for torque specifications.



Fig. 1, DDC DSNCHA018005 30mm Air Disc Brake Caliper Brake Bolt Torque Adaptor

April 2020
 FL845A-X
 NHTSA #20V-127 (Non-School Bus)
 NHTSA #20V-126 (School Bus)
 Transport Canada #2020-087 (Non-School Bus)
 Transport Canada #2020-086 (School Bus)

Torque Check with 47 Inch (119 cm) Torque Wrench and Tool DDC DSNCHA018005			
Angle View	Extension Angle (degrees)	Target Torque [lbf·ft (N·m)]	Tool Setting [lbf·ft (N·m)]
 <p>0° 11/28/2016 f422613</p>	0	350 (475)	296 (401)
 <p>45° 11/28/2016 f422614</p>	45		310 (420)
 <p>60° 11/06/2018 f422668</p>	60		320 (434)
 <p>90° 11/28/2016 f422615</p>	90		350 (475)
 <p>120° 11/06/2018 f422669</p>	120		386 (523)
 <p>135° 11/28/2016 f422616</p>	135		402 (545)

Table 4, Torque Check with 47 Inch (119 cm) Torque Wrench and Tool DDC DSNCHA018005

April 2020
FL845A-X
NHTSA #20V-127 (Non-School Bus)
NHTSA #20V-126 (School Bus)
Transport Canada #2020-087 (Non-School Bus)
Transport Canada #2020-086 (School Bus)

 **WARNING**

When replacing brake pads, shoes, rotors, or drums, always replace components as an axle set.

- Always reline both sets of brakes on an axle at the same time.
- Always replace both rotors/drums on an axle at the same time.
- Always install the same type of linings/pads or drums/rotors on both axle ends of a single axle, and all four axle ends of a tandem axle, at the same time. Do not mix component types.

Failure to do so could cause uneven braking and loss of vehicle control, resulting in property damage, personal injury, or death.

6. Remove the retainer pin, cotter pin, and brake pad retainer. Inspect the brake pad hardware to ensure it is in good condition. If it is, reuse the brake pad hardware. If the brake pad hardware is not in good condition, replace brake pad sets on both ends of the axle.
7. Remove the brake pads.
8. Remove caliper bolts.

IMPORTANT: The caliper/carrier assemblies are left and right handed. Ensure that the correct assembly (left or right) is installed on each side of the vehicle.

9. Align each caliper/carrier assembly with the rotor by pushing the caliper against the shelf on the torque plate, then install the caliper/carrier assembly using new caliper mounting bolts. See [Fig. 2](#).
10. Tighten the carrier mounting bolts in two steps as follows.
 - 10.1 Start on one side of the caliper and tighten all three bolts 40 ± 20 lbf-ft (54 ± 27 N·m), beginning with the inner-most bolt and moving to the outer-most bolt. Then tighten the three bolts on the other side of the caliper 40 ± 20 lbf-ft (54 ± 27 N·m), beginning with the inner-most bolt and moving to the outer-most bolt. See [Fig. 3](#) for the left-front caliper and [Fig. 4](#) for the right-front caliper.
 - 10.2 Repeat this process, increasing the torque value to 375 ± 25 lbf-ft (508 ± 34 N·m). If tool DDC DSNCHA018005 referenced in tool letter 18TL18 is used, see [Table 5](#) for torque specifications.

April 2020
FL845A-X
NHTSA #20V-127 (Non-School Bus)
NHTSA #20V-126 (School Bus)
Transport Canada #2020-087 (Non-School Bus)
Transport Canada #2020-086 (School Bus)

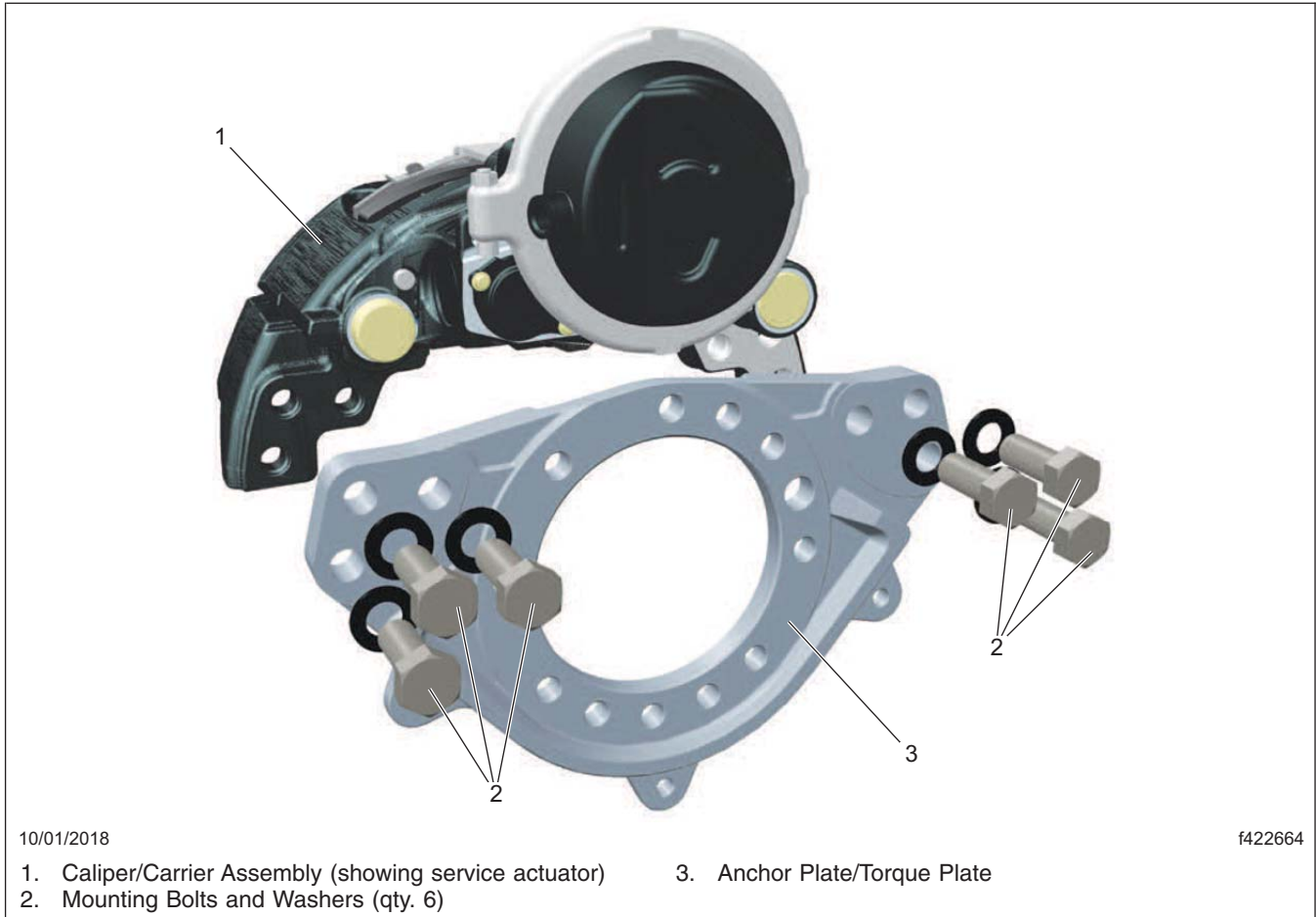


Fig. 2, Bendix Axial Mounted Caliper



Fig. 3, Tightening Pattern, Left-Front Bendix Axial Caliper

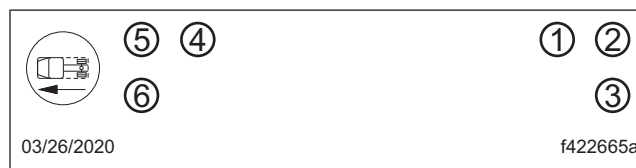


Fig. 4, Tightening Pattern, Right-Front Bendix Axial Caliper

April 2020
 FL845A-X
 NHTSA #20V-127 (Non-School Bus)
 NHTSA #20V-126 (School Bus)
 Transport Canada #2020-087 (Non-School Bus)
 Transport Canada #2020-086 (School Bus)




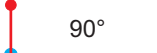


Bendix/Wabco Installation with a 47 Inch (119 cm) Torque Wrench and Tool DDC DSNCHA018005			
Angle View	Extension Angle (degrees)	Target Torque [lbf·ft (N·m)]	Tool Setting [lbf·ft (N·m)]
 11/28/2016 f422613	0	375 (508)	317 (430)
 11/28/2016 f422614	45		332 (450)
 11/06/2018 f422668	60		343 (465)
 11/28/2016 f422615	90		375 (508)
 11/06/2018 f422669	120		413 (560)
 11/28/2016 f422616	135		431 (584)

Table 5, Bendix/Wabco Installation with a 47 Inch (119 cm) Torque Wrench and Tool DDC DSNCHA018005

NOTICE

Do not use a motor driven tool to tighten the manual brake adjuster nut, or use excessive force to tighten the nut. Doing so could damage the manual brake adjuster nut.

11. Install the brake pads. Provided it is in good condition, use the brake pad hardware removed earlier.
12. Back off the adjuster nut three clicks.
13. Install the wheel assemblies.
14. Raise the vehicle, remove the jack stands, then lower the vehicle.
15. Charge the air system and check for leaks.

April 2020
FL845A-X
NHTSA #20V-127 (Non-School Bus)
NHTSA #20V-126 (School Bus)
Transport Canada #2020-087 (Non-School Bus)
Transport Canada #2020-086 (School Bus)

WARNING

Do not operate the vehicle until the brakes have been adjusted and checked for proper operation. To do so could result in inadequate or no braking ability, which could cause personal injury or death, and property damage.

16. In a safe area, check for proper brake operation, as follows, before putting the vehicle in service.
 - 16.1 Apply and release the brakes several times to check for air leaks and proper operation.
 - 16.2 Perform six low-speed stops to ensure proper parts replacement and full vehicle control.
 - 16.3 Immediately after doing the above stops, check the rotor temperatures. Any rotors that are significantly cooler than others indicate a lack of braking effort on those wheels.
17. Clean a spot on the base label (Form WAR259). Write the recall number, FL845, on a completion sticker (Form WAR260), and attach it to the base label to indicate this recall has been completed.

Front and/or Rear Caliper/Carrier Assembly Inspection and Installation - Bendix Radial Mounted Calipers

1. Check the base label (Form WAR259) for a completion sticker for FL845 (Form WAR260) indicating this work has been done. The base label is usually located on the passenger-side door, about 12 inches (30 cm) below the door latch. If a sticker is present for FL845, no work is needed. If there is no sticker, proceed with the next step.
2. Park the vehicle on a level surface, shut down the engine, and set the parking brake. Chock the tires.

DANGER

When working on the vehicle, shut down the engine, set the parking brake, and chock the tires. Before working under the vehicle, always place jack stands under the frame rails to ensure the vehicle cannot drop. Failure to follow these steps could result in serious personal injury or death.

3. Raise the vehicle and support it on jack stands.
4. Remove all of the wheel assemblies.

NOTE: In all steps that require a torque wrench, use a Snap On torque wrench ATECH4RS600, or an equivalent, with a center-to-handle length of 47 inches (119 cm).

5. Set a torque wrench to 200 lbf-ft (271 N-m) and tighten the caliper mounting bolts. If they do not turn, go to step 13. If they turn, go to step 6.

WARNING

When replacing brake pads, shoes, rotors, or drums, always replace components as an axle set.

- Always reline both sets of brakes on an axle at the same time.
- Always replace both rotors/drums on an axle at the same time.
- Always install the same type of linings/pads or drums/rotors on both axle ends of a single axle, and all four axle ends of a tandem axle, at the same time. Do not mix component types.

Failure to do so could cause uneven braking and loss of vehicle control, resulting in property damage, personal injury, or death.

6. Remove the retainer pin, cotter pin, and brake pad retainer. Inspect the brake pad hardware to ensure it is in good condition. If it is, reuse the brake pad hardware. If the brake pad hardware is not in good condition, replace brake pad sets on both ends of the axle.
7. Remove the brake pads.

April 2020
FL845A-X
NHTSA #20V-127 (Non-School Bus)
NHTSA #20V-126 (School Bus)
Transport Canada #2020-087 (Non-School Bus)
Transport Canada #2020-086 (School Bus)

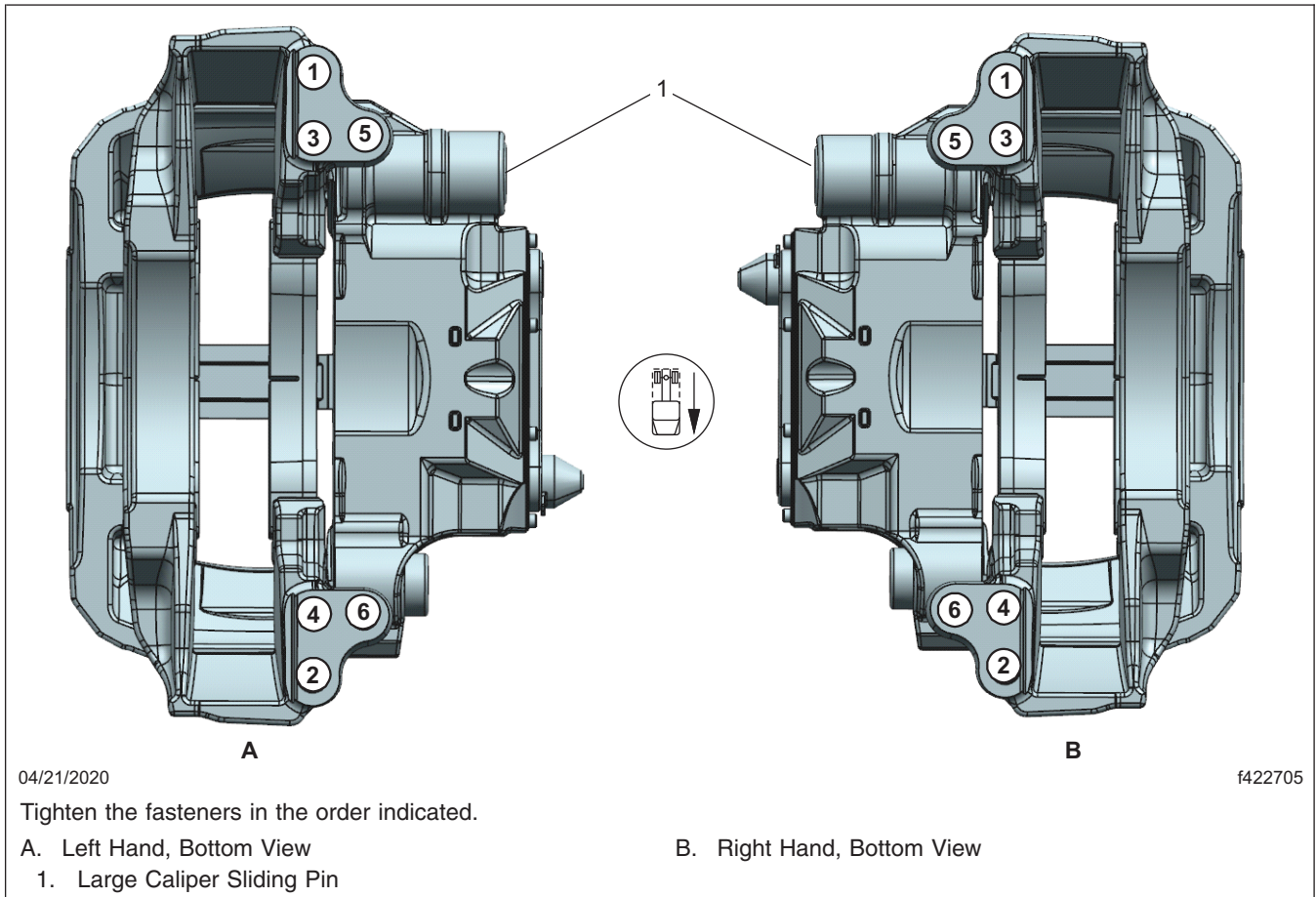


Fig. 6, Tightening Pattern, Bendix Radial Mounted Caliper

NOTICE

Do not use a motor driven tool to tighten the manual brake adjuster nut, or use excessive force to tighten the nut. Doing so could damage the manual brake adjuster nut.

11. Install the brake pads. Provided it is in good condition, use the brake pad hardware removed earlier.
12. Back off the adjuster nut three clicks.
13. Install the wheel assemblies.

April 2020
FL845A-X
NHTSA #20V-127 (Non-School Bus)
NHTSA #20V-126 (School Bus)
Transport Canada #2020-087 (Non-School Bus)
Transport Canada #2020-086 (School Bus)

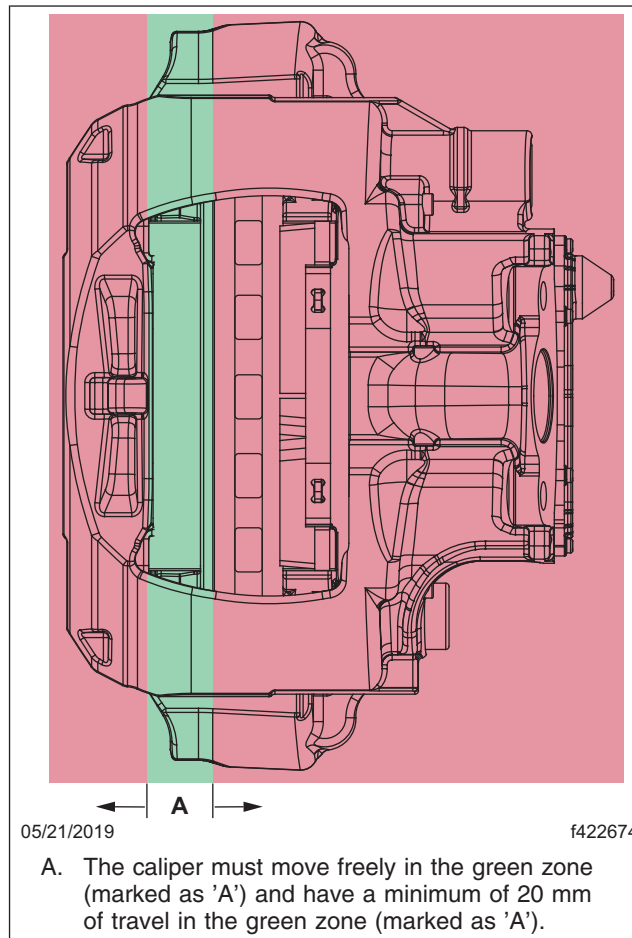


Fig. 7, Slide-Ability Test Area

14. Raise the vehicle, remove the jack stands, then lower the vehicle.
15. Charge the air system and check for leaks.

WARNING

Do not operate the vehicle until the brakes have been adjusted and checked for proper operation. To do so could result in inadequate or no braking ability, which could cause personal injury or death, and property damage.

16. In a safe area, check for proper brake operation, as follows, before putting the vehicle in service.
 - 16.1 Apply and release the brakes several times to check for air leaks and proper operation.
 - 16.2 Perform six low-speed stops to ensure proper parts replacement and full vehicle control.
 - 16.3 Immediately after doing the above stops, check the rotor temperatures. Any rotors that are significantly cooler than others indicate a lack of braking effort on those wheels.
17. Clean a spot on the base label (Form WAR259). Write the recall number, FL845, on a completion sticker (Form WAR260), and attach it to the base label to indicate this recall has been completed.

April 2020
FL845A-X
NHTSA #20V-127 (Non-School Bus)
NHTSA #20V-126 (School Bus)
Transport Canada #2020-087 (Non-School Bus)
Transport Canada #2020-086 (School Bus)

Front and/or Rear Caliper/Carrier Assembly Inspection and Installation - Meritor Axial Mounted Calipers

1. Check the base label (Form WAR259) for a completion sticker for FL845 (Form WAR260) indicating this work has been done. The base label is usually located on the passenger-side door, about 12 inches (30 cm) below the door latch. If a sticker is present for FL845, no work is needed. If there is no sticker, proceed with the next step.
2. Park the vehicle on a level surface, shut down the engine, and set the parking brake. Chock the tires.

DANGER

When working on the vehicle, shut down the engine, set the parking brake, and chock the tires. Before working under the vehicle, always place jack stands under the frame rails to ensure the vehicle cannot drop. Failure to follow these steps could result in serious personal injury or death.

3. Raise the vehicle and support it on jack stands.
4. Remove all of the wheel assemblies.

NOTE: In all steps that require a torque wrench, use a Snap On torque wrench ATECH4RS600, or an equivalent, with a center to handle length of 47 inches (119 cm).

5. Set a torque wrench to 350 lbf-ft (475 N-m) and tighten the caliper mounting bolts. If they do not turn, go to step 13. If they turn, go to step 6. Due to limited caliper bolt access, it may be necessary to use tool DDC DSNCHA018005 referenced in tool letter 18TL18. If the tool is needed, use tool DDC DSNCHA018005 only and no other tools. See [Fig. 1](#). See [Table 4](#) for torque specifications.

WARNING

When replacing brake pads, shoes, rotors, or drums, always replace components as an axle set.

- Always reline both sets of brakes on an axle at the same time.
- Always replace both rotors/drums on an axle at the same time.
- Always install the same type of linings/pads or drums/rotors on both axle ends of a single axle, and all four axle ends of a tandem axle, at the same time. Do not mix component types.

Failure to do so could cause uneven braking and loss of vehicle control, resulting in property damage, personal injury, or death.

6. Remove the retainer pin, cotter pin, and brake pad retainer. Inspect the brake pad hardware to ensure it is in good condition. If it is, reuse the brake pad hardware. If the brake pad hardware is not in good condition, replace brake pad sets on both ends of the axle.
7. Remove the brake pads.
8. Remove caliper bolts.

IMPORTANT: The caliper/carrier assemblies are left and right handed. Ensure that the correct assembly (left or right) is installed on each side of the vehicle.

NOTE: The Meritor axial mounted caliper is similar to the Bendix axial mounted caliper shown in [Fig. 2](#).

9. Align each caliper/carrier assembly with the rotor by pushing the caliper against the shelf on the torque plate, then install the caliper/carrier assembly using new caliper mounting bolts.
10. Tighten the carrier mounting bolts in two steps as follows.
 - 10.1 Start on one side of the caliper and tighten all of the bolts 45±5 lbf-ft (61±7 N-m). Then tighten the bolts on the other side of the caliper 45±5 lbf-ft (61±7 N-m). See [Fig. 3](#).

April 2020
 FL845A-X
 NHTSA #20V-127 (Non-School Bus)
 NHTSA #20V-126 (School Bus)
 Transport Canada #2020-087 (Non-School Bus)
 Transport Canada #2020-086 (School Bus)

10.2 Repeat this process, increasing the torque value to 400±50 lbf·ft (542±68 N·m). If tool DDC DSNCHA018005 referenced in tool letter 18TL18 is used, see [Table 6](#) for torque specifications.


Meritor Installation with a 47 Inch (119 cm) Torque Wrench and Tool DDC DSNCHA018005			
Angle View	Extension Angle (degrees)	Target Torque [lbf·ft (N·m)]	Tool Setting [lbf·ft (N·m)]
 <p>0° 11/28/2016 f422613</p>	0	400 (542)	338 (458)
 <p>45° 11/28/2016 f422614</p>	45		354 (480)
 <p>60° 11/06/2018 f422668</p>	60		366 (496)
 <p>90° 11/28/2016 f422615</p>	90		400 (542)
 <p>120° 11/06/2018 f422669</p>	120		441 (598)
 <p>135° 11/28/2016 f422616</p>	135		460 (624)

Table 6, Meritor Installation with a 47 Inch (119 cm) Torque Wrench and Tool DDC DSNCHA018005

NOTICE

Do not use a motor driven tool to tighten the manual brake adjuster nut, or use excessive force to tighten the nut. Doing so could damage the manual brake adjuster nut.

11. Install the brake pads. Provided it is in good condition, use the brake pad hardware removed earlier.
12. Back off the adjuster nut three clicks.
13. Install the wheel assemblies.

April 2020
FL845A-X
NHTSA #20V-127 (Non-School Bus)
NHTSA #20V-126 (School Bus)
Transport Canada #2020-087 (Non-School Bus)
Transport Canada #2020-086 (School Bus)

14. Raise the vehicle, remove the jack stands, then lower the vehicle.
15. Charge the air system and check for leaks.

WARNING

Do not operate the vehicle until the brakes have been adjusted and checked for proper operation. To do so could result in inadequate or no braking ability, which could cause personal injury or death, and property damage.

16. In a safe area, check for proper brake operation, as follows, before putting the vehicle in service.
 - 16.1 Apply and release the brakes several times to check for air leaks and proper operation.
 - 16.2 Perform six low-speed stops to ensure proper parts replacement and full vehicle control.
 - 16.3 Immediately after doing the above stops, check the rotor temperatures. Any rotors that are significantly cooler than others indicate a lack of braking effort on those wheels.
17. Clean a spot on the base label (Form WAR259). Write the recall number, FL845, on a completion sticker (Form WAR260), and attach it to the base label to indicate this recall has been completed.

Front and/or Rear Caliper/Carrier Assembly Inspection and Installation - Meritor Radial Mounted Calipers

1. Check the base label (Form WAR259) for a completion sticker for FL845 (Form WAR260) indicating this work has been done. The base label is usually located on the passenger-side door, about 12 inches (30 cm) below the door latch. If a sticker is present for FL845, no work is needed. If there is no sticker, proceed with the next step.
2. Park the vehicle on a level surface, shut down the engine, and set the parking brake. Chock the tires.

DANGER

When working on the vehicle, shut down the engine, set the parking brake, and chock the tires. Before working under the vehicle, always place jack stands under the frame rails to ensure the vehicle cannot drop. Failure to follow these steps could result in serious personal injury or death.

3. Raise the vehicle and support it on jack stands.
4. Remove all of the wheel assemblies.

NOTE: In all steps that require a torque wrench, use a Snap On torque wrench ATECH4RS600, or an equivalent, with a center to handle length of 47 inches (119 cm).

5. Set a torque wrench to 350 lbf-ft (475 N-m) and tighten the caliper mounting bolts. If they do not turn, go to step 13. If they turn, go to step 6.

WARNING

When replacing brake pads, shoes, rotors, or drums, always replace components as an axle set.

- Always reline both sets of brakes on an axle at the same time.
- Always replace both rotors/drums on an axle at the same time.
- Always install the same type of linings/pads or drums/rotors on both axle ends of a single axle, and all four axle ends of a tandem axle, at the same time. Do not mix component types.

Failure to do so could cause uneven braking and loss of vehicle control, resulting in property damage, personal injury, or death.

6. Remove the retainer pin, cotter pin, and brake pad retainer. Inspect the brake pad hardware to ensure it is in good condition. If it is, reuse the brake pad hardware. If the brake pad hardware is not in good condition, replace brake pad sets on both ends of the axle.

April 2020
FL845A-X
NHTSA #20V-127 (Non-School Bus)
NHTSA #20V-126 (School Bus)
Transport Canada #2020-087 (Non-School Bus)
Transport Canada #2020-086 (School Bus)

7. Remove the brake pads.
8. Remove caliper bolts.

IMPORTANT: The caliper/carrier assemblies are left and right handed. Ensure that the correct assembly (left or right) is installed on each side of the vehicle.

9. Align each caliper/carrier assembly with the rotor by pushing the fixed pin side of the caliper against the shelf on the torque plate, then install the caliper/carrier assembly using new caliper mounting bolts. See [Fig. 8](#) and [Fig. 9](#).

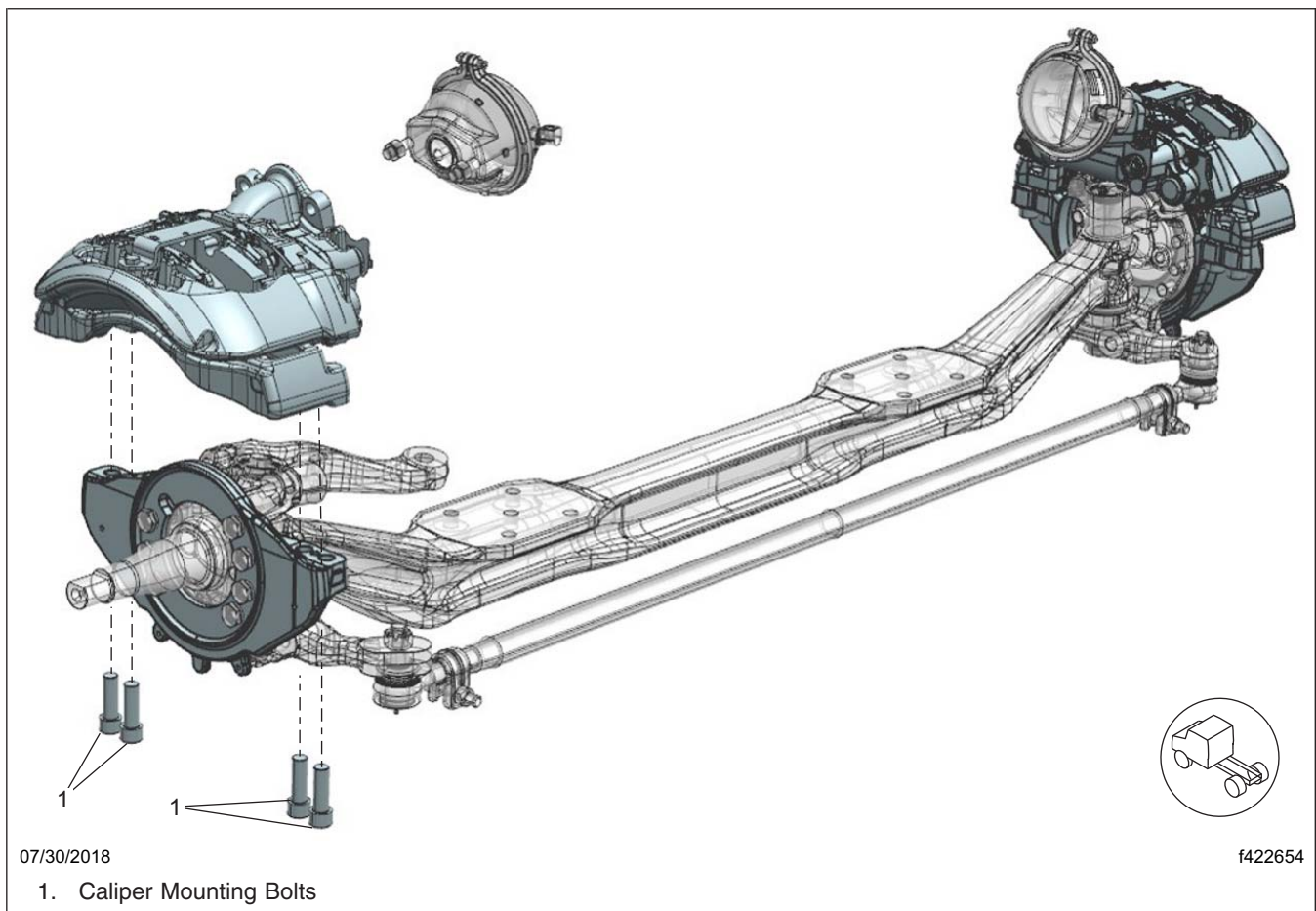


Fig. 8, Meritor Radial Mounted Caliper

April 2020
FL845A-X
NHTSA #20V-127 (Non-School Bus)
NHTSA #20V-126 (School Bus)
Transport Canada #2020-087 (Non-School Bus)
Transport Canada #2020-086 (School Bus)

NOTE: The tightening pattern will always start on the short (floating) pin side, with the bolt that passes through the shear sleeve.

10. Tighten the carrier mounting bolts in two steps, using the pattern shown in **Fig. 9**
 - 10.1 Initially tighten all six bolts 45 ± 5 lbf-ft (61 ± 7 N·m). Slide the caliper inboard and outboard, through the center of the chamber or brake. The caliper must have a minimum of 20 mm of travel. If the brake assembly does not move, or requires more than 40 pounds of force to move, the caliper has a binding issue. Repeat the torque pattern again, if that does not resolve the binding issue, replace the caliper.
 - 10.2 Perform a final tightening spec of 400 ± 50 lbf-ft (542 ± 68 N·m). Slide the caliper inboard and outboard, through the center of the chamber or brake. The caliper must have a minimum of 20 mm of travel. If the brake assembly does not move, or requires more than 40 pounds of force to move, the caliper has a binding issue. Repeat the torque pattern again, if that does not resolve the binding issue, replace the caliper.

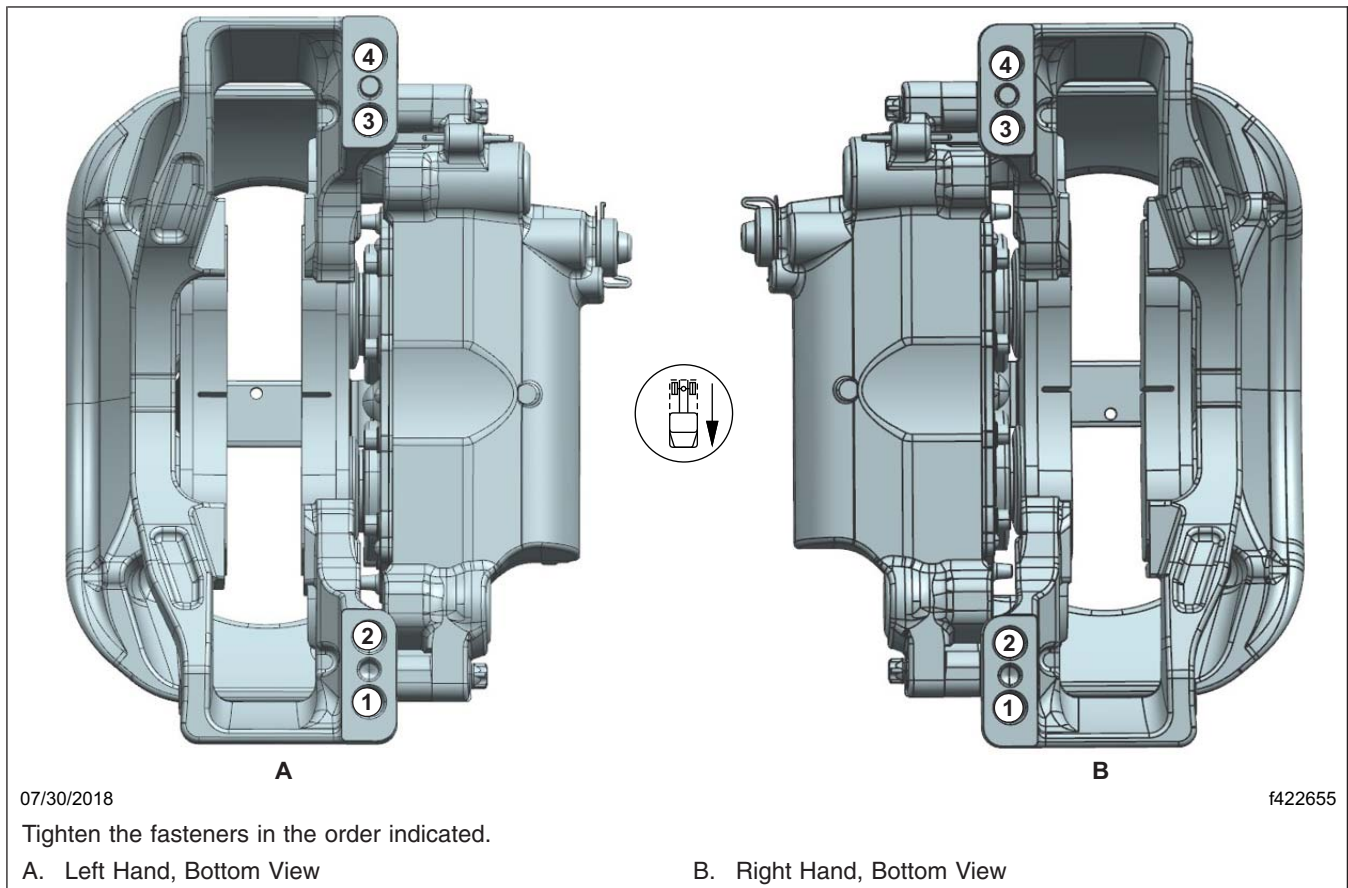


Fig. 9, Tightening Pattern, Meritor Caliper

NOTICE

Do not use a motor driven tool to tighten the manual brake adjuster nut, or use excessive force to tighten the nut. Doing so could damage the manual brake adjuster nut.

11. Install the brake pads. Provided it is in good condition, use the brake pad hardware removed earlier.
12. Back off the adjuster nut three clicks.
13. Install the wheel assemblies.
14. Raise the vehicle, remove the jack stands, then lower the vehicle.

April 2020
FL845A-X
NHTSA #20V-127 (Non-School Bus)
NHTSA #20V-126 (School Bus)
Transport Canada #2020-087 (Non-School Bus)
Transport Canada #2020-086 (School Bus)

15. Charge the air system and check for leaks.

WARNING

Do not operate the vehicle until the brakes have been adjusted and checked for proper operation. To do so could result in inadequate or no braking ability, which could cause personal injury or death, and property damage.

16. In a safe area, check for proper brake operation, as follows, before putting the vehicle in service.

- 16.1 Apply and release the brakes several times to check for air leaks and proper operation.
- 16.2 Perform six low-speed stops to ensure proper parts replacement and full vehicle control.
- 16.3 Immediately after doing the above stops, check the rotor temperatures. Any rotors that are significantly cooler than others indicate a lack of braking effort on those wheels.

17. Clean a spot on the base label (Form WAR259). Write the recall number, FL845, on a completion sticker (Form WAR260), and attach it to the base label to indicate this recall has been completed.

Front and/or Rear Caliper/Carrier Assembly Inspection and Installation - WABCO Maxxus Axial Mounted Calipers

1. Check the base label (Form WAR259) for a completion sticker for FL845 (Form WAR260) indicating this work has been done. The base label is usually located on the passenger-side door, about 12 inches (30 cm) below the door latch. If a sticker is present for FL845, no work is needed. If there is no sticker, proceed with the next step.
2. Park the vehicle on a level surface, shut down the engine, and set the parking brake. Chock the tires.

DANGER

When working on the vehicle, shut down the engine, set the parking brake, and chock the tires. Before working under the vehicle, always place jack stands under the frame rails to ensure the vehicle cannot drop. Failure to follow these steps could result in serious personal injury or death.

3. Raise the vehicle and support it on jack stands.
4. Remove all of the wheel assemblies.

NOTE: In all steps that require a torque wrench, use a Snap On torque wrench ATECH4RS600, or an equivalent, with a center to handle length of 47 inches (119 cm).

5. Set a torque wrench to 350 lbf·ft (475 N·m) and tighten the caliper mounting bolts. If they do not turn, go to step 13. If they turn, go to step 6. Due to limited caliper bolt access, it may be necessary to use tool DDC DSNCHA018005 referenced in tool letter 18TL18. If the tool is needed, use tool DDC DSNCHA018005 only and no other tools. See [Fig. 1](#) for a 47 in (119 cm) long wrench. see [Table 4](#) for torque specifications.

WARNING

When replacing brake pads, shoes, rotors, or drums, always replace components as an axle set.

- Always reline both sets of brakes on an axle at the same time.
- Always replace both rotors/drums on an axle at the same time.
- Always install the same type of linings/pads or drums/rotors on both axle ends of a single axle, and all four axle ends of a tandem axle, at the same time. Do not mix component types.

Failure to do so could cause uneven braking and loss of vehicle control, resulting in property damage, personal injury, or death.

April 2020

FL845A-X

NHTSA #20V-127 (Non-School Bus)

NHTSA #20V-126 (School Bus)

Transport Canada #2020-087 (Non-School Bus)

Transport Canada #2020-086 (School Bus)

6. Remove the retainer pin, cotter pin, and brake pad retainer. Inspect the brake pad hardware to ensure it is in good condition. If it is, reuse the brake pad hardware. If the brake pad hardware is not in good condition, replace brake pad sets on both ends of the axle.
7. Remove the brake pads.
8. Remove caliper bolts.

IMPORTANT: The caliper/carrier assemblies are left and right handed. Ensure that the correct assembly (left or right) is installed on each side of the vehicle.

NOTE: The Wabco axial mounted caliper is similar to the Bendix axial mounted caliper shown in [Fig. 2](#).

9. Align each caliper/carrier assembly with the rotor by pushing the caliper against the shelf on the torque plate, then install the caliper/carrier assembly using new caliper mounting bolts.
10. Tighten the carrier mounting bolts in two steps as follows.
 - 10.1 Start on one side of the caliper and tighten all of the bolts 45 ± 5 lbf·ft (61 ± 7 N·m). Then tighten the bolts on the other side of the caliper 45 ± 5 lbf·ft (61 ± 7 N·m). See [Fig. 3](#).
 - 10.2 Repeat this process, increasing the torque value to 375 ± 25 lbf·ft (508 ± 34 N·m). If tool DDC DSNCHA018005 referenced in tool letter 18TL18 is used, see [Table 5](#) for torque specifications.

NOTICE

Do not use a motor driven tool to tighten the manual brake adjuster nut, or use excessive force to tighten the nut. Doing so could damage the manual brake adjuster nut.

11. Install the brake pads. Provided it is in good condition, use the brake pad hardware removed earlier.
12. Back off the adjuster nut three clicks.
13. Install the wheel assemblies.
14. Raise the vehicle, remove the jack stands, then lower the vehicle.
15. Charge the air system and check for leaks.

 **WARNING**

Do not operate the vehicle until the brakes have been adjusted and checked for proper operation. To do so could result in inadequate or no braking ability, which could cause personal injury or death, and property damage.

16. In a safe area, check for proper brake operation, as follows, before putting the vehicle in service.
 - 16.1 Apply and release the brakes several times to check for air leaks and proper operation.
 - 16.2 Perform six low-speed stops to ensure proper parts replacement and full vehicle control.
 - 16.3 Immediately after doing the above stops, check the rotor temperatures. Any rotors that are significantly cooler than others indicate a lack of braking effort on those wheels.
17. Clean a spot on the base label (Form WAR259). Write the recall number, FL845, on a completion sticker (Form WAR260), and attach it to the base label to indicate this recall has been completed.

April 2020
FL845A-X
NHTSA #20V-127 (Non-School Bus)
NHTSA #20V-126 (School Bus)
Transport Canada #2020-087 (Non-School Bus)
Transport Canada #2020-086 (School Bus)

Front and/or Rear Caliper/Carrier Assembly Inspection and Installation - WABCO Maxxus Radial Mounted Calipers

1. Check the base label (Form WAR259) for a completion sticker for FL845 (Form WAR260) indicating this work has been done. The base label is usually located on the passenger-side door, about 12 inches (30 cm) below the door latch. If a sticker is present for FL845, no work is needed. If there is no sticker, proceed with the next step.
2. Park the vehicle on a level surface, shut down the engine, and set the parking brake. Chock the tires.

DANGER

When working on the vehicle, shut down the engine, set the parking brake, and chock the tires. Before working under the vehicle, always place jack stands under the frame rails to ensure the vehicle cannot drop. Failure to follow these steps could result in serious personal injury or death.

3. Raise the vehicle and support it on jack stands.
4. Remove all of the wheel assemblies.

NOTE: In all steps that require a torque wrench, use a Snap On torque wrench ATECH4RS600, or an equivalent, with a center to handle length of 47 inches (119 cm).

5. Set a torque wrench to 273 lbf-ft (370 N·m) and tighten the caliper mounting bolts. If they do not turn, go to step 13. If they turn, go to step 6.

WARNING

When replacing brake pads, shoes, rotors, or drums, always replace components as an axle set.

- Always reline both sets of brakes on an axle at the same time.
- Always replace both rotors/drums on an axle at the same time.
- Always install the same type of linings/pads or drums/rotors on both axle ends of a single axle, and all four axle ends of a tandem axle, at the same time. Do not mix component types.

Failure to do so could cause uneven braking and loss of vehicle control, resulting in property damage, personal injury, or death.

6. Remove the retainer pin, cotter pin, and brake pad retainer. Inspect the brake pad hardware to ensure it is in good condition. If it is, reuse the brake pad hardware. If the brake pad hardware is not in good condition, replace brake pad sets on both ends of the axle.
7. Remove the brake pads.
8. Remove caliper bolts.

April 2020
FL845A-X
NHTSA #20V-127 (Non-School Bus)
NHTSA #20V-126 (School Bus)
Transport Canada #2020-087 (Non-School Bus)
Transport Canada #2020-086 (School Bus)

IMPORTANT: The caliper/carrier assemblies are left and right handed. Ensure that the correct assembly (left or right) is installed on each side of the vehicle.

9. Align each caliper/carrier assembly with the rotor by pushing the fixed pin side of the caliper against the shelf on the torque plate, then install the caliper/carrier assembly using new caliper mounting bolts. See [Fig. 10](#) and [Fig. 11](#).

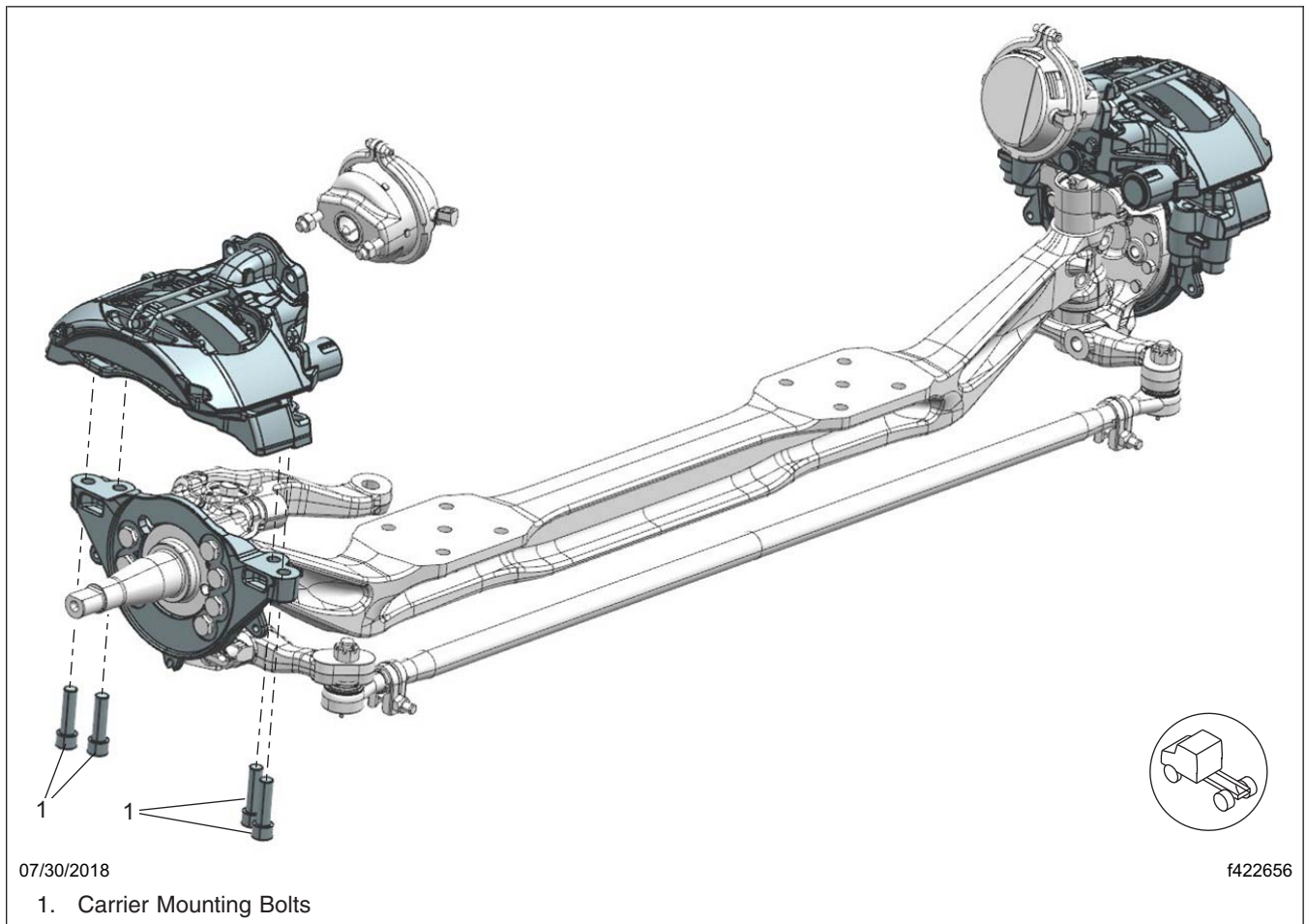


Fig. 10, Wabco Maxxus Radial Mounted Calipers

April 2020
FL845A-X
NHTSA #20V-127 (Non-School Bus)
NHTSA #20V-126 (School Bus)
Transport Canada #2020-087 (Non-School Bus)
Transport Canada #2020-086 (School Bus)

NOTE: The tightening pattern will always start on the short (floating) pin side, with the bolt that passes through the shear sleeve.

10. Tighten the carrier mounting bolts in two steps, using the pattern shown in [Fig. 11](#).
 - 10.1 Initially tighten all six bolts 45 ± 5 lbf-ft (61 ± 7 N·m). Slide the caliper inboard and outboard, through the center of the chamber or brake. The caliper must have a minimum of 20 mm of travel. If the brake assembly does not move, or requires more than 40 pounds of force to move, the caliper has a binding issue. Repeat the torque pattern again, if that does not resolve the binding issue, replace the caliper.
 - 10.2 Perform a final tightening spec of 295 ± 22 lbf-ft (400 ± 30 N·m). Slide the caliper inboard and outboard, through the center of the chamber or brake. The caliper must have a minimum of 20 mm of travel. If the brake assembly does not move, or requires more than 40 pounds of force to move, the caliper has a binding issue. Repeat the torque pattern again, if that does not resolve the binding issue, replace the caliper.

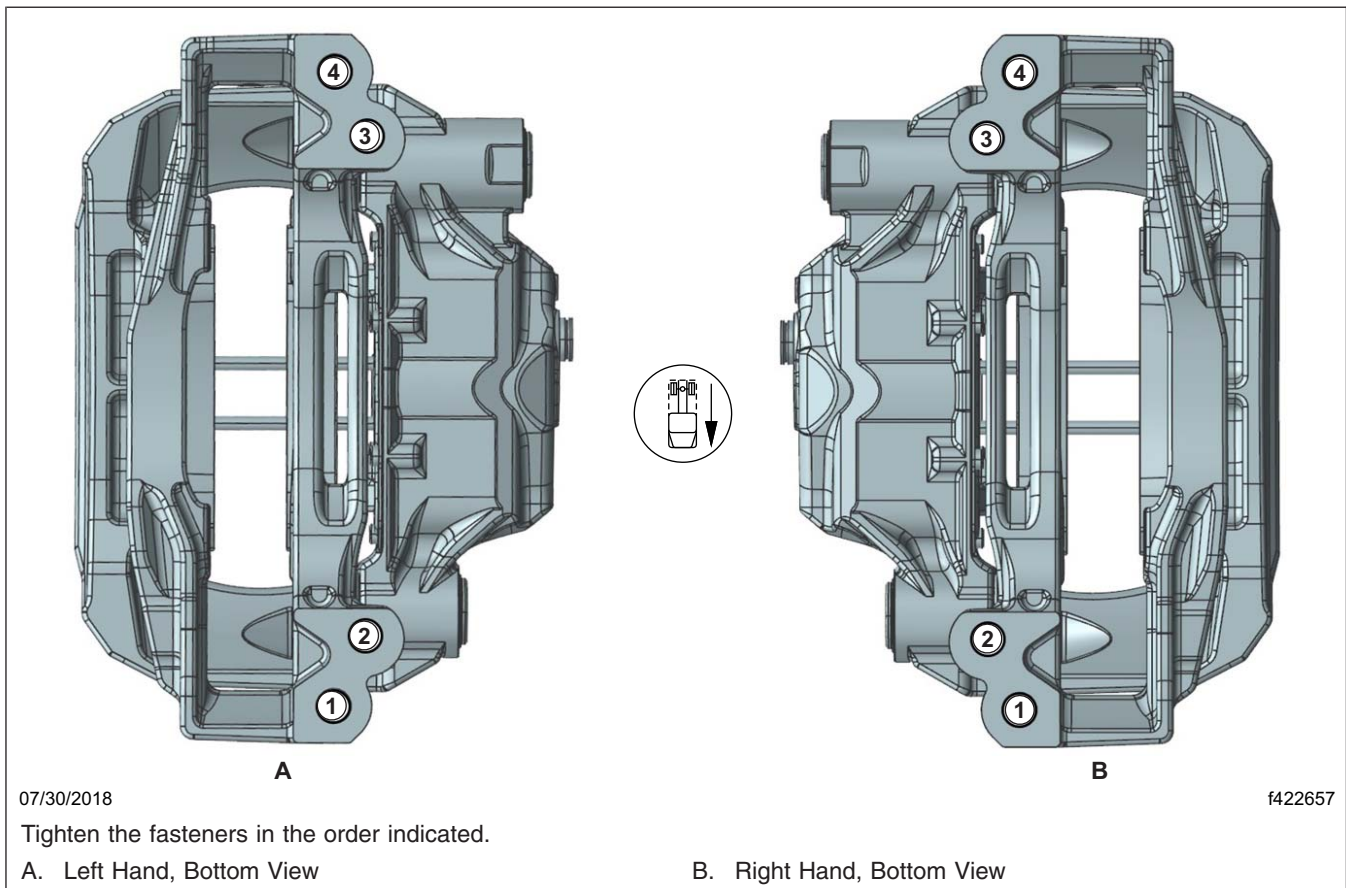


Fig. 11, Wabco Maxxus Radial Mounted Caliper Tightening Pattern

NOTICE

Do not use a motor driven tool to tighten the manual brake adjuster nut, or use excessive force to tighten the nut. Doing so could damage the manual brake adjuster nut.

11. Install the brake pads. Provided it is in good condition, use the brake pad hardware removed earlier.
12. Back off the adjuster nut three clicks.
13. Install the wheel assemblies.

April 2020
FL845A-X
NHTSA #20V-127 (Non-School Bus)
NHTSA #20V-126 (School Bus)
Transport Canada #2020-087 (Non-School Bus)
Transport Canada #2020-086 (School Bus)

14. Raise the vehicle, remove the jack stands, then lower the vehicle.
15. Charge the air system and check for leaks.

 **WARNING**

Do not operate the vehicle until the brakes have been adjusted and checked for proper operation. To do so could result in inadequate or no braking ability, which could cause personal injury or death, and property damage.

16. In a safe area, check for proper brake operation, as follows, before putting the vehicle in service.
 - 16.1 Apply and release the brakes several times to check for air leaks and proper operation.
 - 16.2 Perform six low-speed stops to ensure proper parts replacement and full vehicle control.
 - 16.3 Immediately after doing the above stops, check the rotor temperatures. Any rotors that are significantly cooler than others indicate a lack of braking effort on those wheels.
17. Clean a spot on the base label (Form WAR259). Write the recall number, FL845, on a completion sticker (Form WAR260), and attach it to the base label to indicate this recall has been completed.

Bendix Axial Caliper/Carrier Assembly Inspection and Installation - XB, XC, EFX and HDX Model Vehicles

NOTE: XC motorhome chassis have ZF independent front axle. No work is needed on ZF front axle calipers.

1. Check the base label (Form WAR259) for a completion sticker for FL845 (Form WAR260) indicating this work has been completed. The base label is usually located on the front wall under the dash on RVs and over the drivers window on buses. If a sticker is present for FL845, no work is needed. If there is no sticker, proceed with the next step.
2. Park the vehicle on a level surface, shut down the engine, and set the parking brake. Chock the tires.

 **DANGER**

When working on the vehicle, shut down the engine, set the parking brake, and chock the tires. Before working under the vehicle, always place jack stands under the frame rails to ensure the vehicle cannot drop. Failure to follow these steps could result in serious personal injury or death.

3. Raise the vehicle and place jack stands under the frame rails to ensure the vehicle cannot drop.

April 2020
FL845A-X
NHTSA #20V-127 (Non-School Bus)
NHTSA #20V-126 (School Bus)
Transport Canada #2020-087 (Non-School Bus)
Transport Canada #2020-086 (School Bus)

- Beginning with the right-front wheel, use a tire runout gauge to check the radial runout. See **Fig. 12**. Write down the measurement for later use to avoid vibration complaints.
- Mark the two studs closest to the valve stem as shown in **Fig. 13**, for proper wheel assembly location when reinstalling the wheel assembly on the hub.

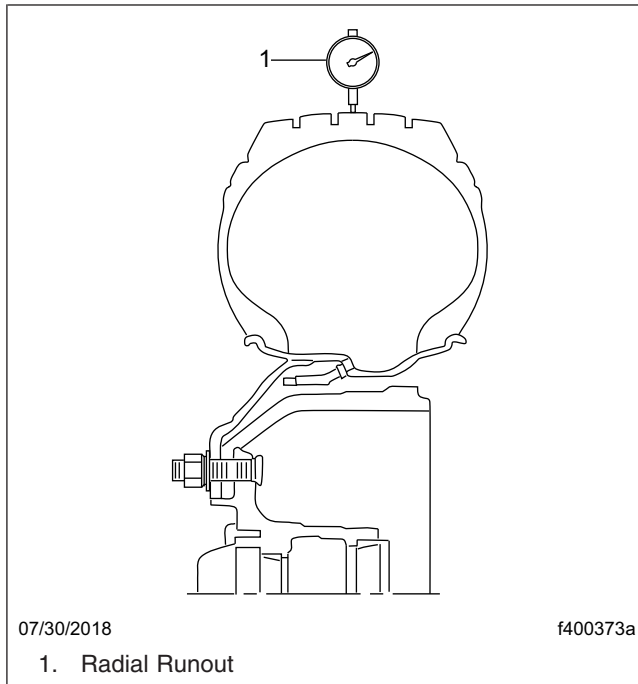


Fig. 12, Radial Runout Check for Tires

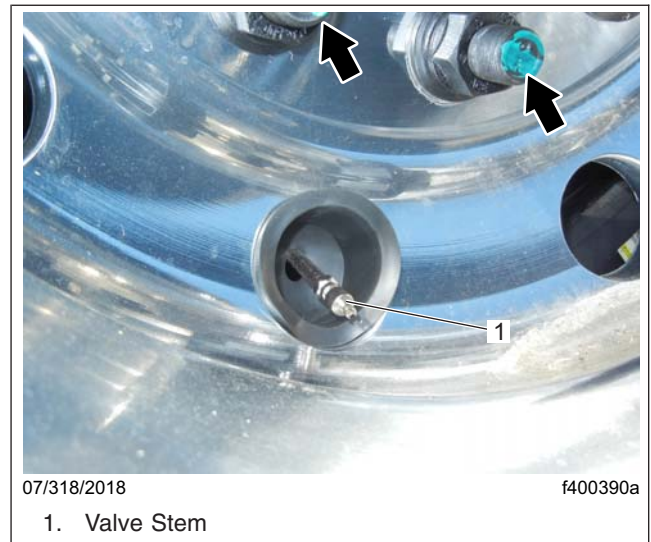


Fig. 13, Marking Wheel Studs

- Remove the lug nuts, then remove the wheel assembly.

IMPORTANT: Before removing the brake pads, it is recommended to check the adjuster mechanism for proper operation.

NOTE: In all steps that require a torque wrench, use a Snap On torque wrench ATECH4RS600, or an equivalent, with a center to handle length of 47 inches (119 cm).

- Set a torque wrench to 350 lbf-ft (475 N-m) and tighten the caliper mounting bolts. If they do not turn, go to step 15. If they turn, go to step 8. Due to limited caliper bolt access, it may be necessary to use tool DDC DSNCHA018005 referenced in tool letter 18TL18. If the tool is needed, use tool DDC DSNCHA018005 only and no other tools. See **Fig. 1**. See **Table 4** for torque specifications.

April 2020
FL845A-X
NHTSA #20V-127 (Non-School Bus)
NHTSA #20V-126 (School Bus)
Transport Canada #2020-087 (Non-School Bus)
Transport Canada #2020-086 (School Bus)

WARNING

When replacing brake pads, shoes, rotors, or drums, always replace components as an axle set.

- Always reline both sets of brakes on an axle at the same time.
- Always replace both rotors/drums on an axle at the same time.
- Always install the same type of linings/pads or drums/rotors on both axle ends of a single axle, and all four axle ends of a tandem axle, at the same time. Do not mix component types.

Failure to do so could cause uneven braking and loss of vehicle control, resulting in property damage, personal injury, or death.

8. Remove the retainer pin, cotter pin, and brake pad retainer. Inspect the brake pad hardware to ensure it is in good condition. If it is, reuse the brake pad hardware. If the brake pad hardware is not in good condition, replace brake pad sets on both ends of the axle.
9. Remove the brake pads.
10. Remove the caliper bolts and washers (if installed) and discard.

IMPORTANT: The caliper/carrier assemblies are left and right handed. Ensure that the correct assembly (left or right) is installed on each side of the vehicle.

11. Align the caliper/carrier assembly with the rotor, pushing the caliper against the shelf on the torque plate, then install the caliper/carrier assembly using new caliper mounting bolts and washers. See [Table 1](#) for parts information. See [Fig. 2](#) for an example of the front caliper/carrier assembly.
12. Tighten the M20 X 2.5 carrier mounting bolts as follows. See [Fig. 3](#).
 - 12.1 Start on one side of the caliper and tighten all three bolts 40 ± 20 lbf·ft (54 ± 27 N·m), beginning with the inner-most bolt and moving to the outer-most bolt. Then tighten the three bolts on the other side of the caliper 40 ± 20 lbf·ft (54 ± 27 N·m), beginning with the inner-most bolt and moving to the outer-most bolt.
 - 12.2 Repeat this process, increasing the torque value to 375 ± 25 lbf·ft (508 ± 34 N·m). If tool DDC DSNCHA018005 referenced in tool letter 18TL18 is used, see [Table 5](#) for torque specifications.

NOTICE

Do not use a motor driven tool to tighten the manual brake adjuster nut, or use excessive force to tighten the nut. Doing so could damage the manual brake adjuster nut.

13. Install the brake pads. Provided it is good condition, use the brake pad hardware removed earlier.
14. Back off the adjuster nut three clicks.
15. Using the two studs marked earlier as a guide, install the wheel assembly. When correctly installed, a line drawn from the valve stem through the center of the wheel assembly should go between the two marked studs.
16. Using a tire runout gauge, measure and record the radial runout of the tire and wheel assembly. Mark the highest point on the tire and wheel assembly. Rotate the tire and wheel assembly until the high spot is at the 12 o'clock position (without allowing the assembly to turn). Loosen all lug nuts to let the assembly settle, then tighten the lug nuts in the proper sequence. See **Group 40** of the applicable vehicle maintenance manual for the tightening sequence. The radial runout should be very close to what was recorded in step 3. If not, repeat this step. **Record the "final" radial runout, note the wheel location, and include the information in the recall claim in OWL.**

April 2020
FL845A-X
NHTSA #20V-127 (Non-School Bus)
NHTSA #20V-126 (School Bus)
Transport Canada #2020-087 (Non-School Bus)
Transport Canada #2020-086 (School Bus)

17. Perform the steps above for each wheel location (as needed based on the population letter) until all wheel locations have been inspected and repaired if needed.
18. Raise the vehicle, remove the jack stands, then lower the vehicle.
19. Charge the air system and check for leaks.

 **WARNING**

Do not operate the vehicle until the brakes have been adjusted and checked for proper operation. To do so could result in inadequate or no braking ability, which could cause personal injury or death, and property damage.

20. In a safe area, check for proper brake operation, as follows, before putting the vehicle in service.
 - 20.1 Apply and release the brakes several times to check for air leaks and proper operation.
 - 20.2 Perform six low-speed stops to ensure proper parts replacement and full vehicle control.
 - 20.3 Immediately after doing the above stops, check the rotor temperatures. Any rotors that are significantly cooler than others indicate a lack of braking effort on those wheels.
21. Clean a spot on the base label (Form WAR259), write the recall number, FL845, on a red completion sticker (Form WAR260), and attach it to the base label, indicating this work has been completed.