



## Safety Recall Action Notice 569 Issue 1 - 01.2020

Subject: Gear Change Ball Joint				
Notice Number	Models Affected	VIN Range		Markets Affected
569	Speed Twin	From	917456	All markets
		Up to	994413	

### Background Information

Internal investigations have identified a need to apply locking compound to the threads of the gear change ball joints on the above model.

Dealers are requested to apply locking compound to the gear change ball joints, as per the instructions below.

### Customer Contact Instructions

#### Notice

STOP DELIVERY OF AFFECTED MOTORCYCLES IMMEDIATELY.

DO NOT deliver a motorcycle affected by this Safety Recall Action Notice to a customer until you have completed, or confirmed completion of, the procedures described in this Safety Recall Action Notice.

Delivering a motorcycle subject to an outstanding Safety Recall Action Notice may contravene local or national laws in your market, territory or country.

Triumph subsidiaries and distributors must instigate a Safety Recall Action in their country in accordance with the national recall code of practice. For vehicles in dealer stock, the safety recall MUST be actioned before delivery to the customer.

Dealers are to prioritise repair of customer owned motorcycles before any unsold motorcycles.

### Identification of Affected Motorcycles

Speed Twin models listed in the VIN range above.

#### Note:

- Some affected motorcycles listed in the VIN range will have been modified and repaired by Triumph prior to their release from the factory.
- Unmodified motorcycles can be identified by checking the 'VIN Enquiry' on [www.triumphonline.net](http://www.triumphonline.net).

### Warranty Claim Instructions

Notice Number	Fault Code	Repair Code	Description	Repair Allowance	Time
569	011931969	99569	SB569 - Remove and reseal ball joints	0.13 Hours	

## Ball Joint Locking Compound Application Instructions

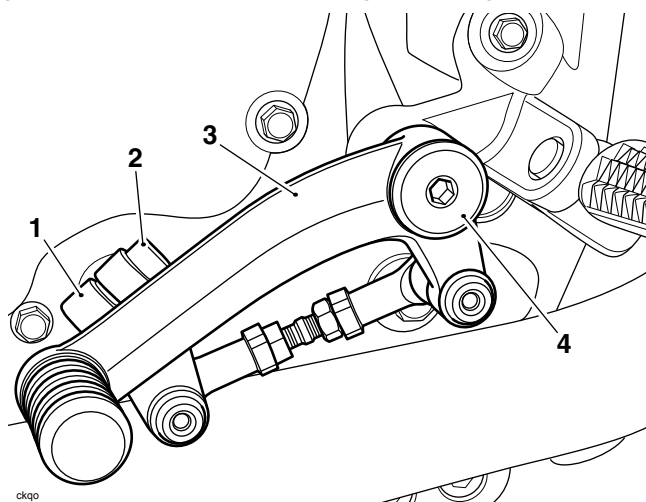
### **Warning**

Make sure the motorcycle is stabilised and adequately supported.  
A correctly supported motorcycle will help prevent it from falling.  
An unstable motorcycle may fall, causing injury to the operator or damage to the motorcycle.

### **Warning**

If the motorcycle has recently been running, some components may be hot to the touch. Contact with the hot components may cause damage to exposed skin. To avoid skin damage, always allow the hot parts to cool before working on the motorcycle.

1. Remove the gear change clamp fixing.
2. Remove the gear change pivot bolt and remove the gear change pedal assembly from the motorcycle.

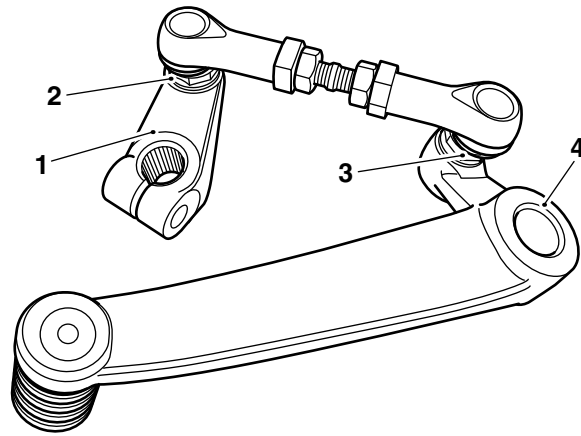


1. **Gear change clamp**
2. **Clamp fixing**
3. **Gear change pedal**
4. **Gear change pivot bolt**

#### **Note:**

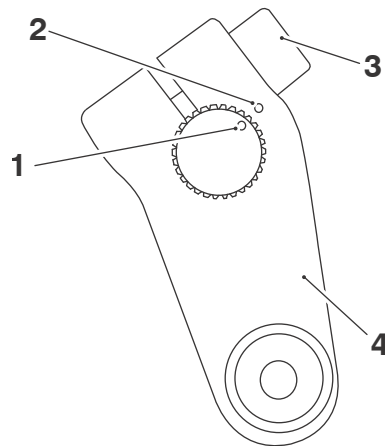
- There is no requirement for the gear change link rod to be disassembled and it should not be disturbed. The ball joints and gear change link rod stay as an assembly.
- The gear change link rod must be installed in the correct orientation. Note the position and orientation of the gear change link rod for installation.

3. Remove the front ball joint from the gear change clamp. Do not remove the ball joint from the gear change linkage rod.
4. Remove the rear ball joint from the gear change pedal and remove the gear change link rod assembly, noting the orientation for installation.



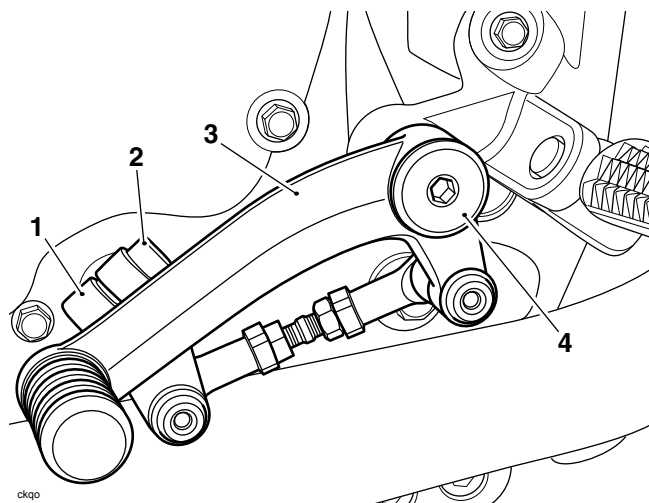
ckqn

1. **Gear change clamp**
  2. **Front ball joint**
  3. **Rear ball joint**
  4. **Gear change pedal**
5. Thoroughly clean the threads of the ball joints and mating parts and make sure they are free of old locking compound.
  6. Apply Threebond 1375B or an equivalent locking compound to the threads of the ball joints.
  7. Position the gear change link rod as noted during removal and install the front and rear ball joints to the gear change clamp and gear change pedal. Tighten the ball joints to **8 Nm**.
  8. Align the mark on the gear change clamp with the alignment mark on the gear change shaft and fit the clamp to the spline. Install the fixing and tighten to **8 Nm**.



1. **Gear change shaft alignment mark**
2. **Gear change clamp alignment mark**
3. **Gear change clamp fixing**
4. **Gear change clamp**

9. Thoroughly clean the threads of the gear change pivot bolt.
10. Apply Threebond 1375B or an equivalent locking compound to the thread of the gear change pivot bolt. Install the pivot bolt and tighten to **22 Nm**.



1. Gear change clamp
2. Clamp fixing
3. Gear change pedal
4. Gear change pivot bolt

11. Allow ten minutes for the locking compound bond to be achieved.
12. Make sure the gear change mechanism operates smoothly.

### Other Instructions

Once completed, please mark the Service Record Book that the requirements of this Safety Recall Action Notice have been complied with.

Before returning the motorcycle to the customer, download the latest calibration to the engine electronic control module, chassis electronic control module (if fitted), keyless electronic control module (if fitted) and instruments (if applicable) using the current version of the Triumph diagnostic software.

### Circulation

Initial and date when read and return to central file holder

Service Manager	Parts Manager	Sales Manager	Workshop Supervisor	Technician 1	Technician 2