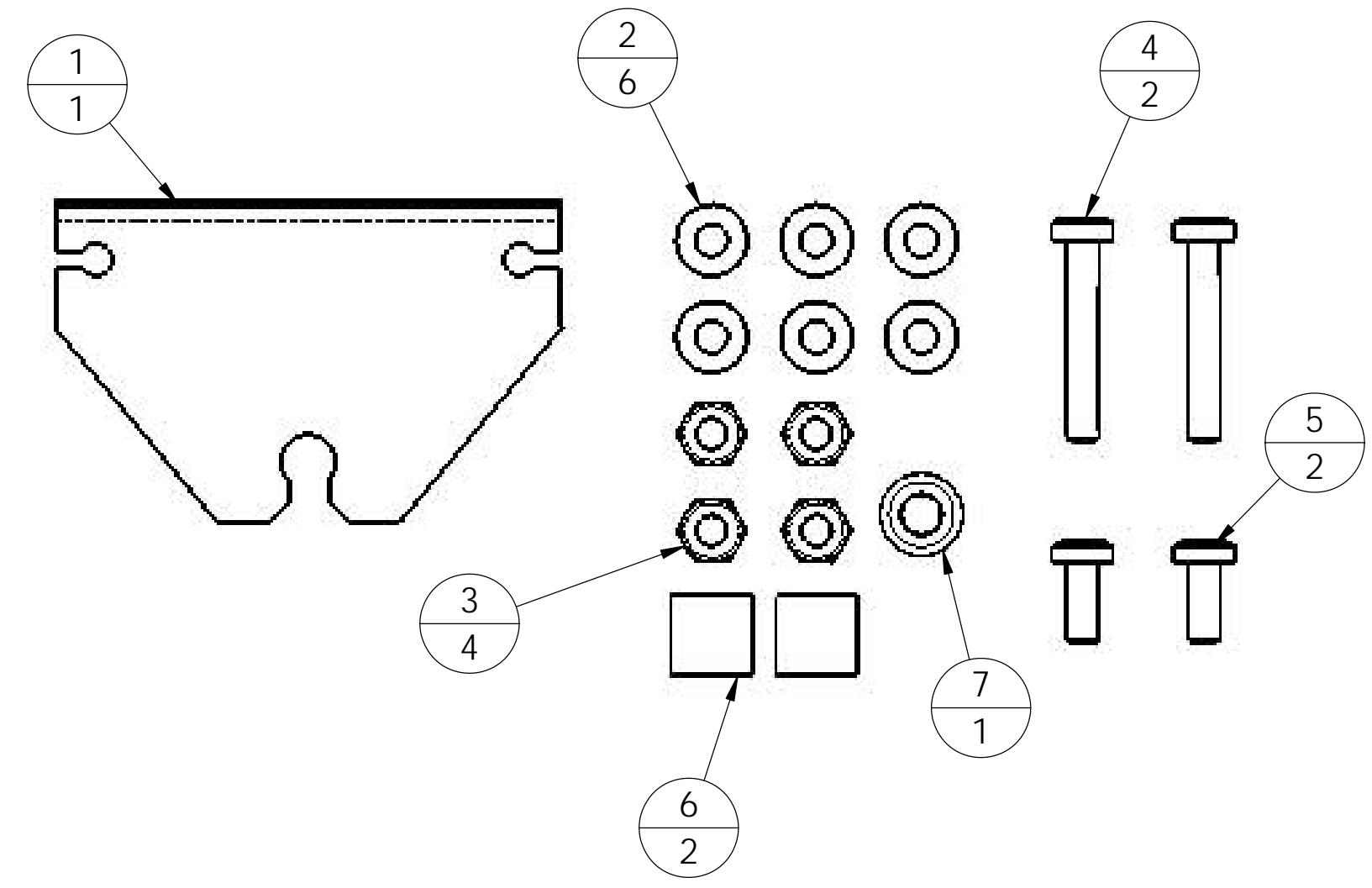
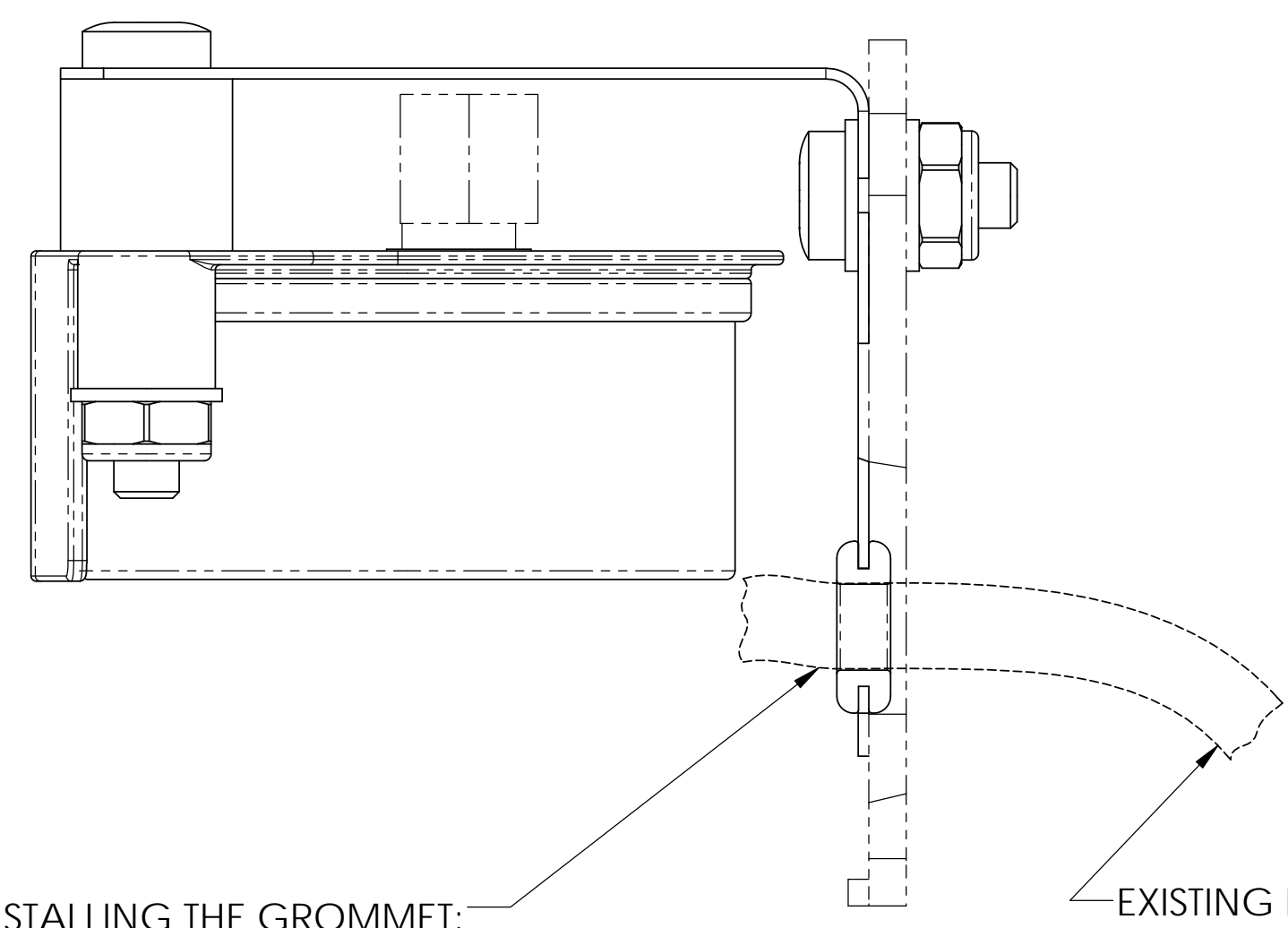
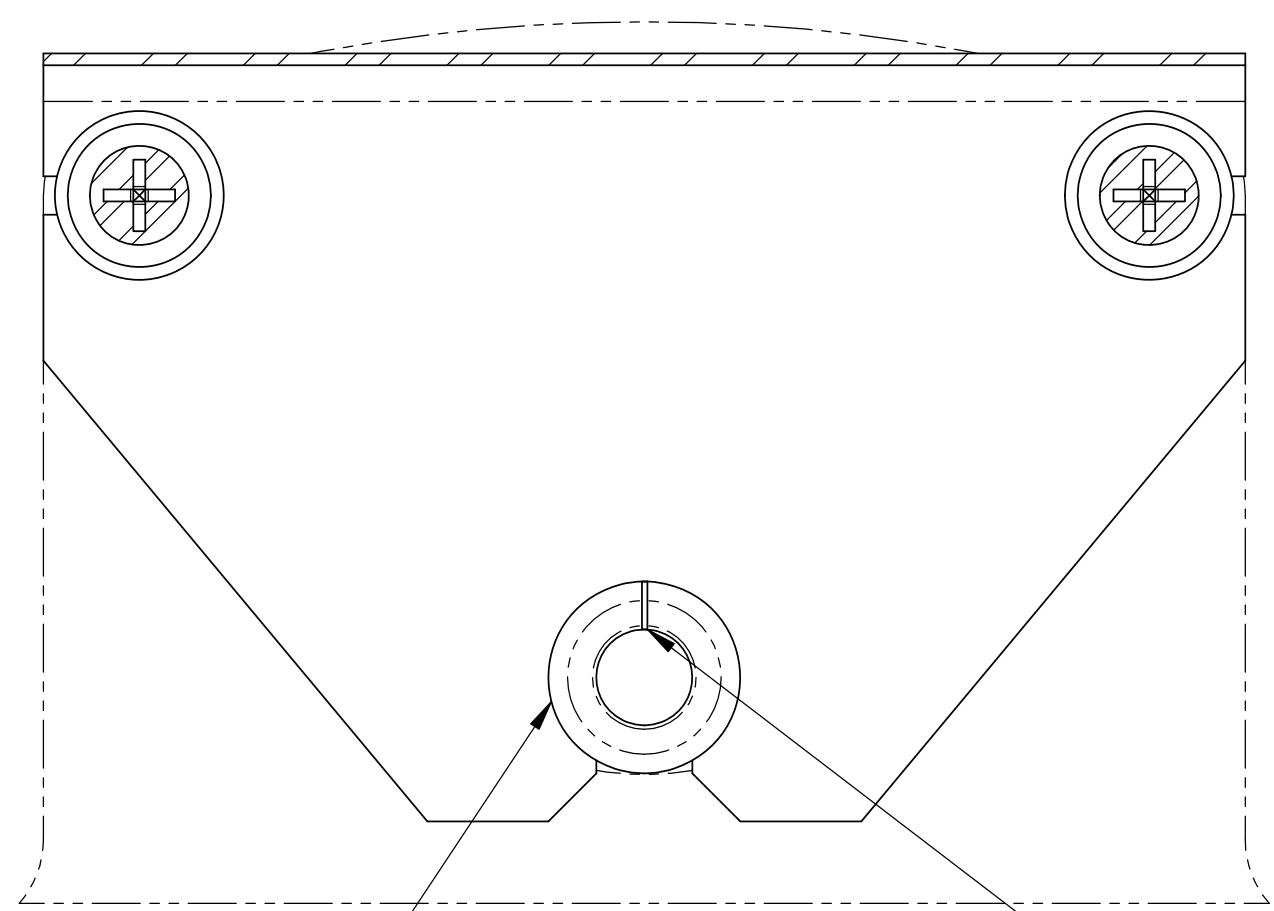
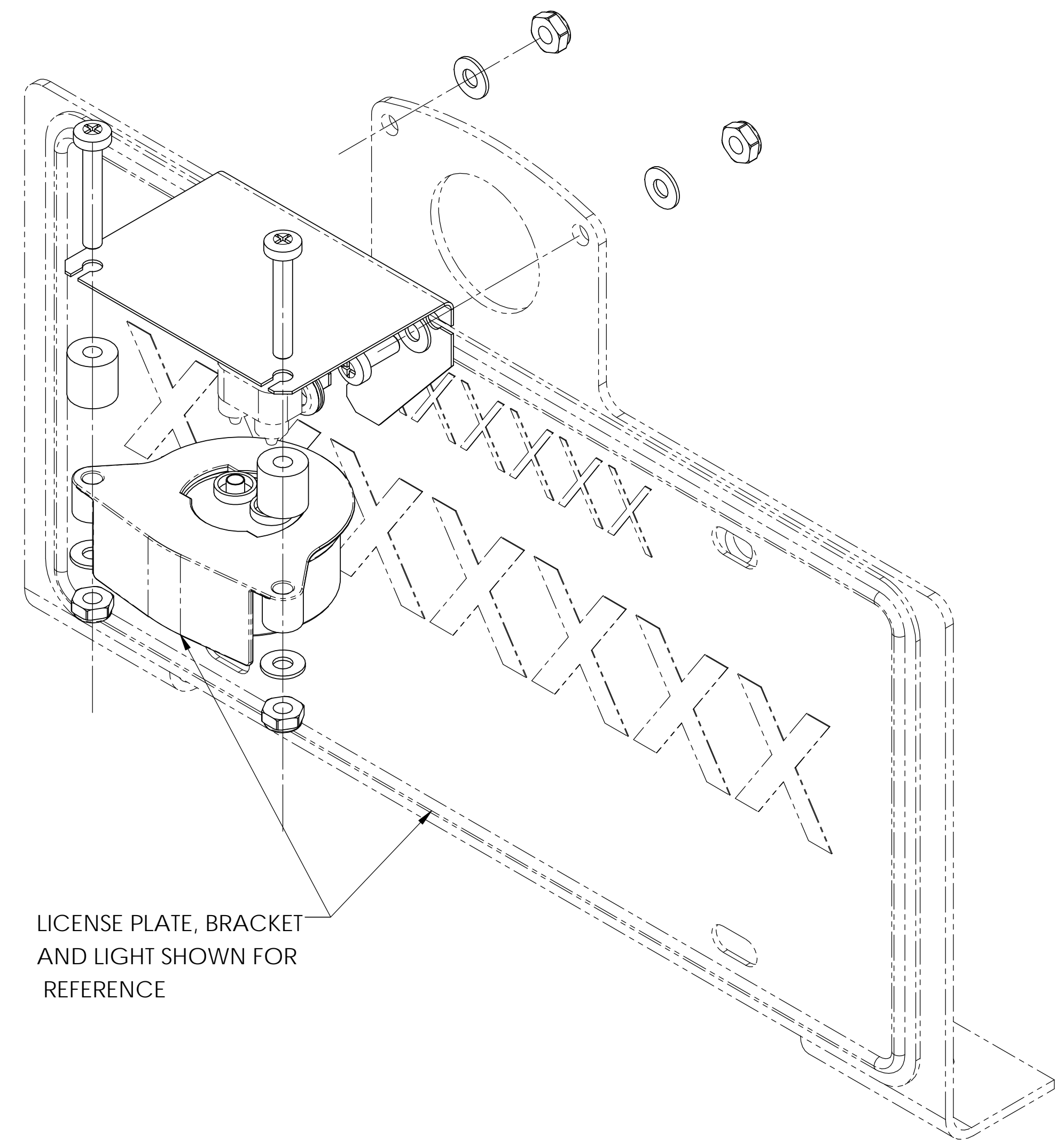
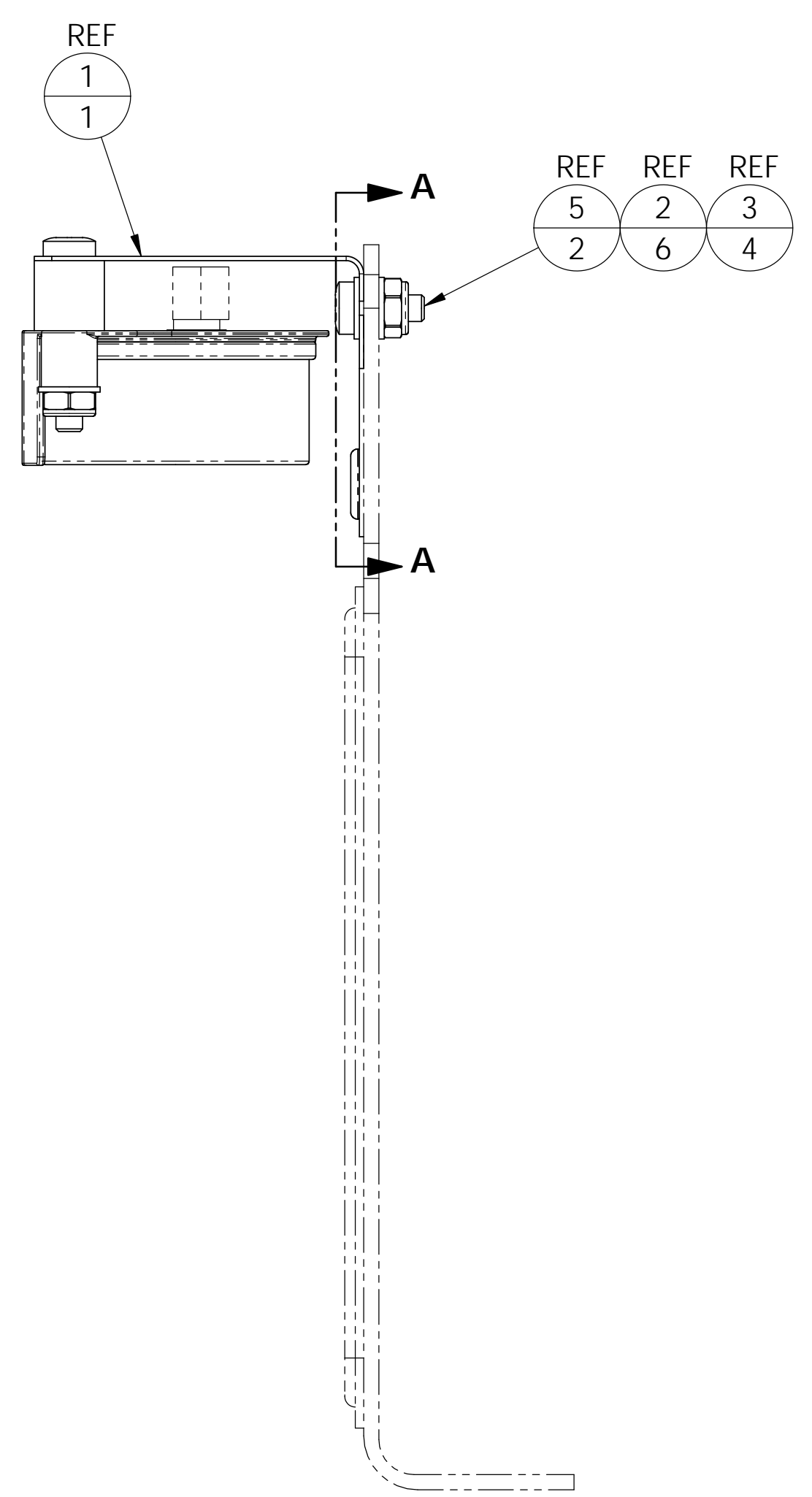
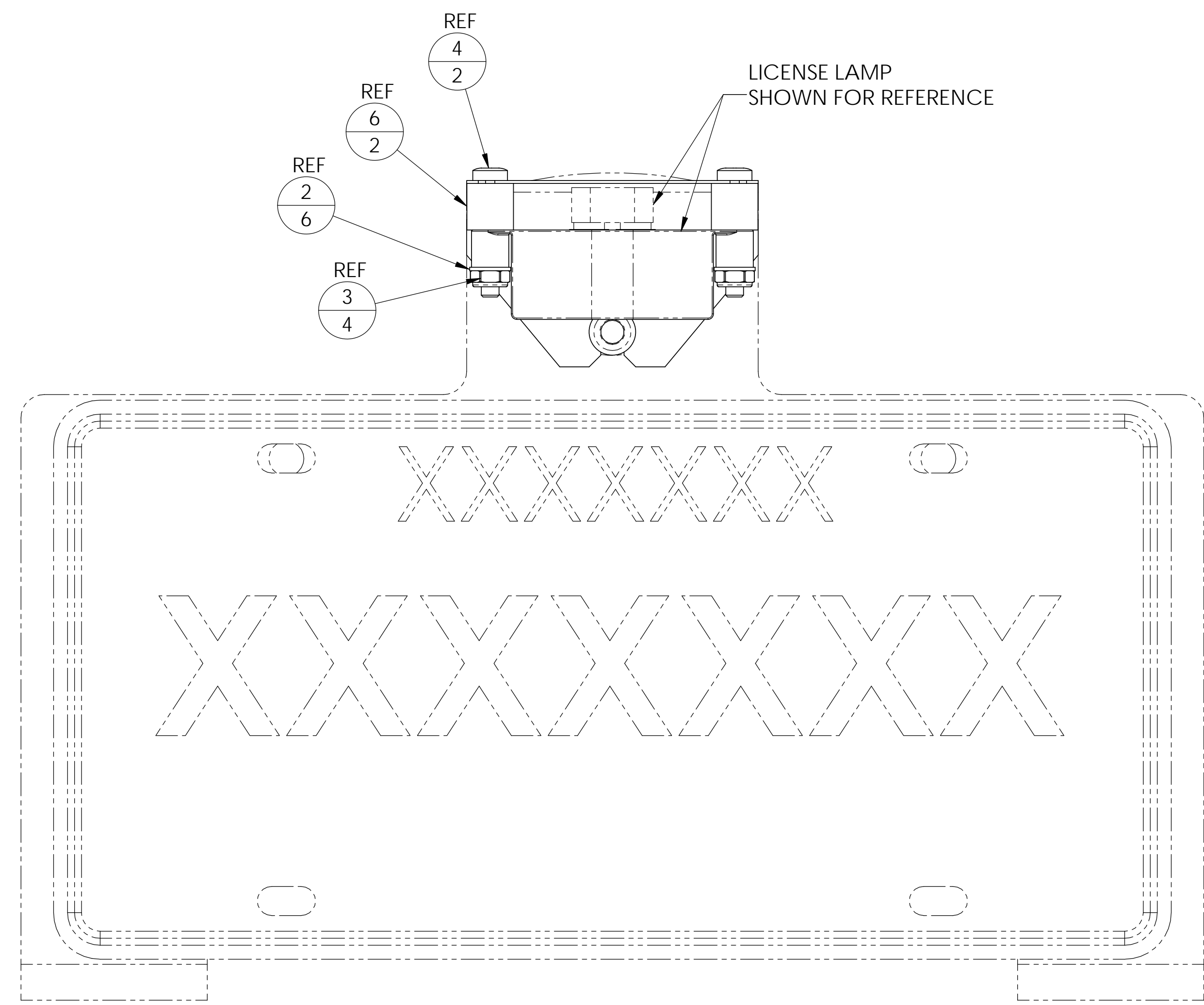


REVISIONS HISTORY				
REV	DESCRIPTION	DATE	EO NO	REV BY
-	INITIAL PRODUCTION RELEASE	4/30/2020	19859	-



P/N 211385-01

SECTION A-A
SCALE 2 : 1

- BEFORE INSTALLING THE GROMMET:
1. MAKE A THRU CUT ON ONE SIDE OF THE GROMMET TO SPLIT.
 2. INSERT THE GROMMET ONTO AN EXISTING LIGHT HARNESS.
 3. INSTALL THE GROMMET ON BRACKET CUT OUT AS SHOWN (SPLIT CUT ON UP POSITION)

QTY	PART NUMBER	NOMENCLATURE OR DESCRIPTION	ITEM
1	211385	DRAWING PRINT (SIZE 'B' 11X17)	9
1	030397	POLY BAG 6 X 10 X .006	8
1	907212	.25 ID GROMMET	7
2	905165-01	SPACER, 0.19 ID X 0.5 LG. NYLON	6
2	900753-05	SCR, PAN HD PHIL 10-24X.5, SS	5
2	900753-11	SCR, PAN HD PHIL 10-24X1.25, SS	4
4	903129-01	NUT, NYL INSR, THIN 10-24 SS	3
6	903444-01	WASHER, FLAT #10, SS	2
1	211384-01	BRACKET, LIGHT MOUNT, 304 SS	1
BOM FOR 211385-01			

3. PLACE ALL PARTS LOOSE INTO A POLYBAG
 2. PARTS ARE NOT SHOWN.
 1. REMOVE ALL BURRS AND SHARP EDGES.
 NOTES: UNLESS OTHERWISE SPECIFIED

211385-01		KIT, LICENSE PLATE LIGHT MOUNT	
PART REV	PART NUMBER	PART DESCRIPTION	
MAXON		MAXON LIFT CORP. SANTA FE SPRINGS, CA 90670	
CAD GENERATED DRAWING DO NOT MANUALLY UPDATE		KIT, LIGHT MOUNT	
THE INFORMATION CONTAINED IN THIS DRAWING IS CONFIDENTIAL AND SOLE PROPERTY OF MAXON LIFT CORP. ANY REPRODUCTION IN PART OR WHOLE WITHOUT THE WRITTEN PERMISSION OF MAXON LIFT CORP. IS PROHIBITED.		SCALE: 1:2 SHEET 1 OF 1	