

Recall Campaign

Daimler Trucks
North America LLC

October 11, 2019

FL832

NHTSA # **18-051** (School Bus)

Transport Canada **XXX** (School Bus)

Tools Required:

- Safety gloves
- Safety glasses
- Staple remover
- Electric/Pneumatic staple gun with heavy duty 3/8" staples
- *Optional* Install tool (Note: Order from TBBSeatrecall@daimler.com.)

Work Instructions

1. Install wheel chocks.
2. Turn key off and place in pocket.
3. Wear safety glasses and gloves.
4. Remove the bottom seat cushion from seat and set aside for reuse.
5. Using the staple remover, remove staples from the first 3" of the right and left sides of seat **Figure 1**

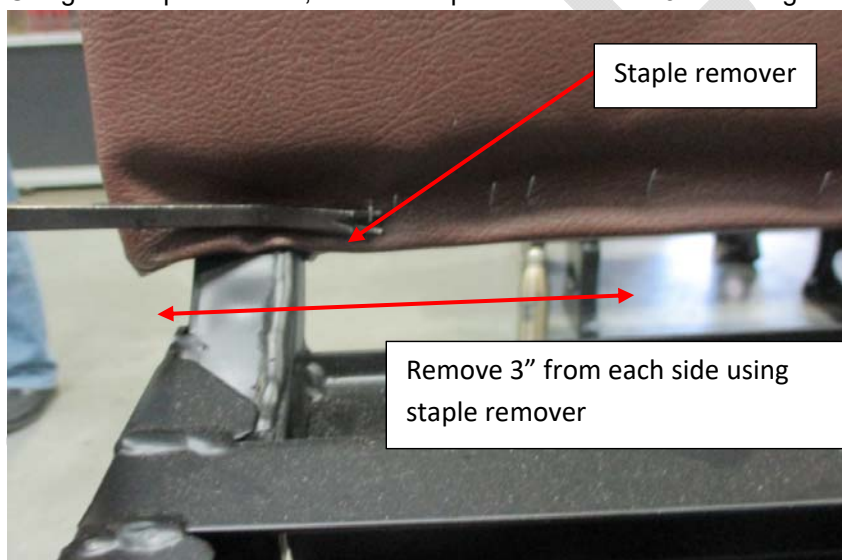


Figure 1: Removal of Vinyl Seat cover

6. Pull the remaining vinyl out by hand to reveal backside layer of stapled vinyl.
7. Remove the staples from the backside of vinyl. Access this from the front of the seat using staple removal tool. **Figure 2**

Recall Campaign

Daimler Trucks
North America LLC

October 11, 2019

FL832

NHTSA # **18-051** (School Bus)

Transport Canada **XXX** (School Bus)



Figure 2: Removal the staples from the back side of the vinyl

8. Using pliers, bend all staples over as shown in **Figure 3** or total staple removal



Figure 3: Staples bent over wood piece using pliers

9. Pull vinyl cover and seat cushion up on the front of the seat **Figure 4**

Recall Campaign

Daimler Trucks
North America LLC

October 11, 2019

FL832

NHTSA # 18-051 (School Bus)

Transport Canada XXX (School Bus)

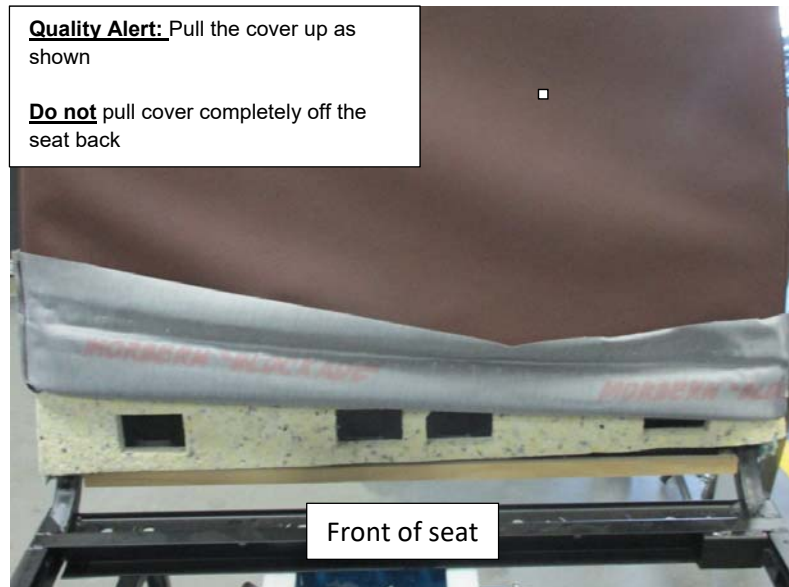


Figure 4: Pulling foam cushion and vinyl cover up (Front of seat)

10. Pull cover up as shown on the back side of seat **Figure 5**



Figure 5 : Pull up the cover (back of seat)

11. Insert field fix part between the vinyl and foam as shown in **Figure 6**

Recall Campaign

October 11, 2019

FL832

NHTSA # 18-051 (School Bus)

Transport Canada XXX (School Bus)



Figure 6: Positioning the Repair part in place (standard on Left and with available tool on right)

12. Note that the shorter leg of the field fix part goes on the side of the seat while the wider leg goes on the back. **Figure 7**

October 11, 2019

FL832

NHTSA # 18-051 (School Bus)

Transport Canada XXX (School Bus)



Figure 7: Seat shown with repair part inserted

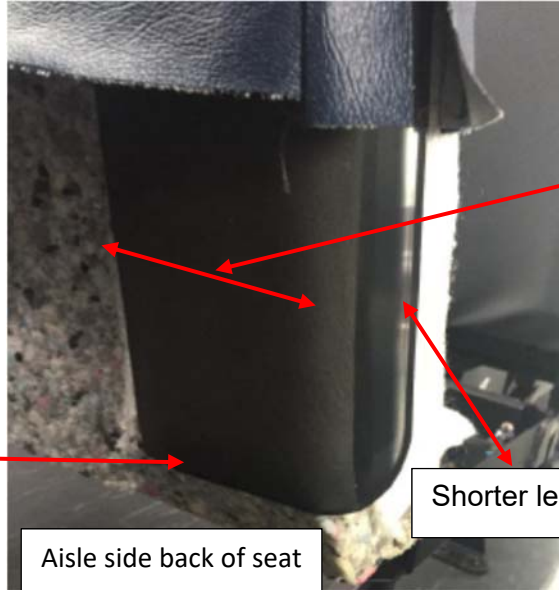
Recall Campaign

October 11, 2019

FL832

NHTSA # 18-051 (School Bus)

Transport Canada XXX (School Bus)



Wider leg of part goes on backside of seat

Make sure part is even with chamfer near bottom

Shorter leg of part goes around side of seat

Aisle side back of seat

Figure 8: Reference picture of repair part being installed

14. **QUALITY ALERT** once the left and right side field fix are inserted between Vinyl and foam, Make sure the top edge of foam has not folded over. Flatten top edge of the foam by hand if required. Then, pull the vinyl down over the repair on both sides evenly: **DO NOT** pull down by pulling one side down then the other. Pull down side to side evenly. Make sure the bottom of the field fix has remained at the foam chamfer (Approximately 2" from bottom of foam on each seat) IF the field fix shifted, then re-adjust as necessary by sliding field fix up or down to maintain the 2" location as shown in drawing view. **Figure 9**

Recall Campaign

Daimler Trucks
North America LLC

October 11, 2019

FL832

NHTSA # 18-051 (School Bus)

Transport Canada XXX (School Bus)

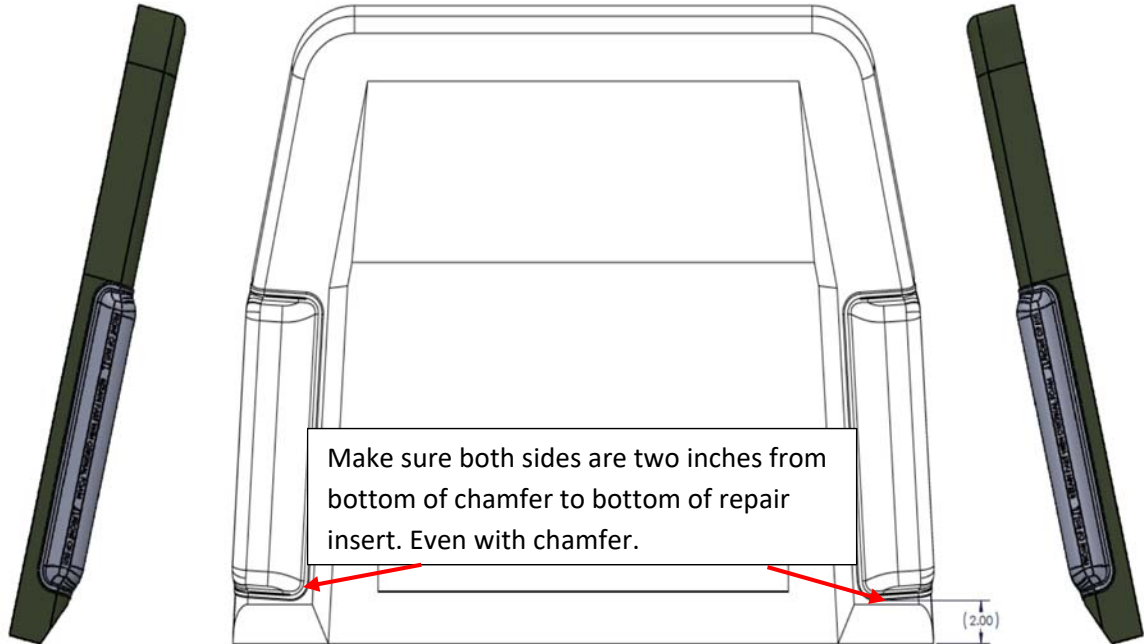
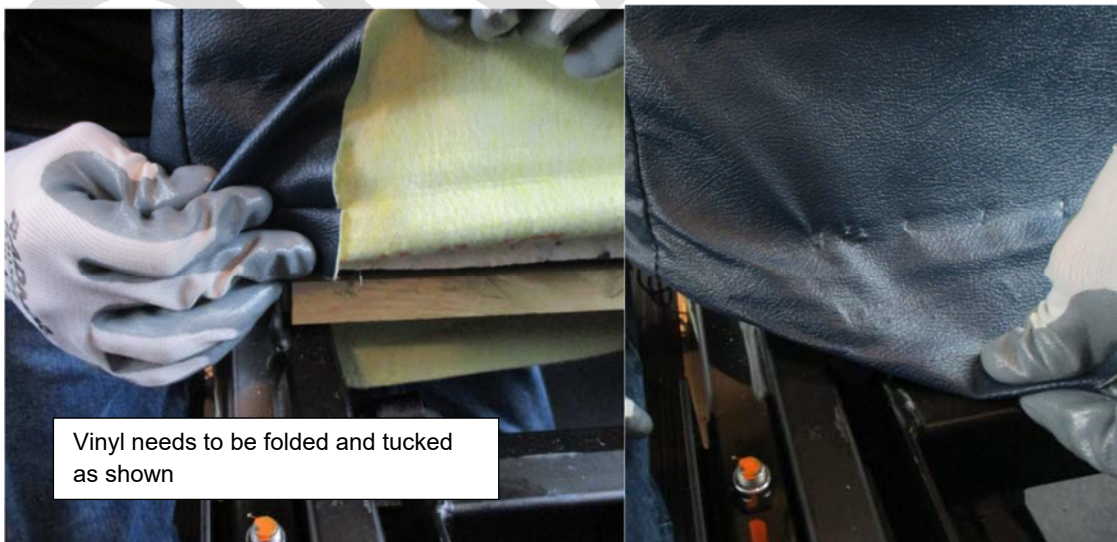


Figure 9: Alignment with seat foam

15. Tuck and fold front and back corners of seat around rear seat leg **Figure 10**.



Recall Campaign

Daimler Trucks
North America LLC

October 11, 2019

FL832

NHTSA # **18-051** (School Bus)

Transport Canada **XXX** (School Bus)

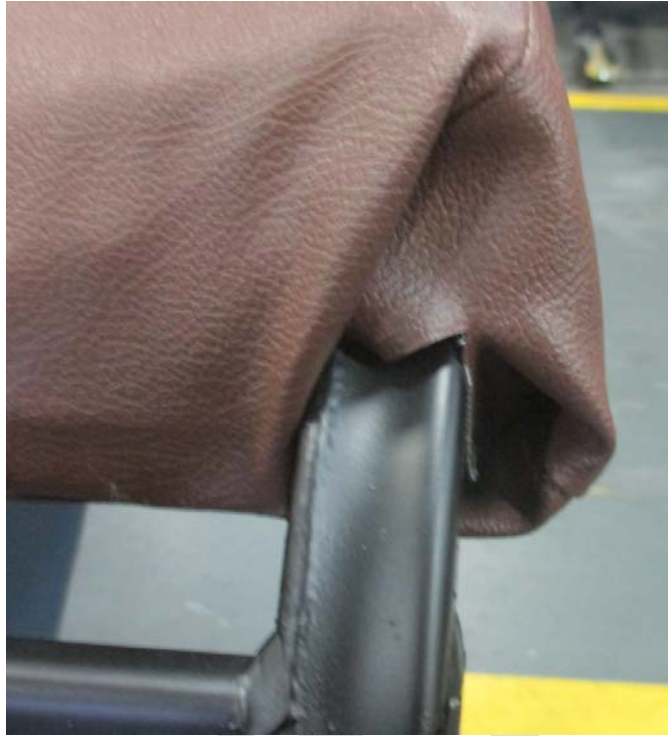


Figure 10: REF completed folding after folding and stapling in place

16. Pull vinyl back under the seat (As it was before) and pull tight. Staple the vinyl to the wood stick as shown in **Figure 12**



Figure 11: Staple vinyl from back to wooden stick all the way across

Recall Campaign

Daimler Trucks
North America LLC

October 11, 2019

FL832

NHTSA # **18-051** (School Bus)

Transport Canada **XXX** (School Bus)

17. Pull the vinyl down on the front of the seat. Make sure it is straight and all wrinkles pulled out.
18. Fold vinyl underneath itself to “double up” to the crease from the original vinyl installation.

Figure 13



Figure 12: Showing how the Vinyl will look when folded and stapled

19. Staple the front vinyl to the wooden stick, making no restraint features obstructed by the vinyl or staples.
20. Reinstall bottom seat cushion.

DRAFT