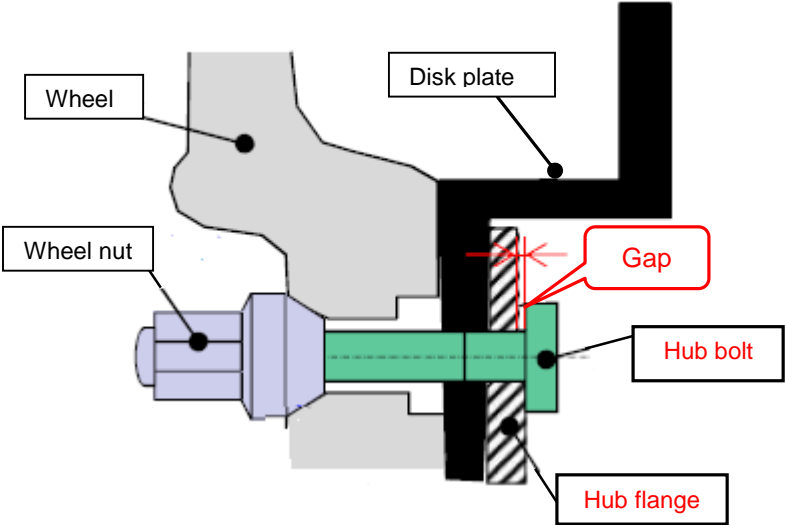


**CONDITION OF CONCERN**

In the worst case, continuous use will lead to a wheel falling off the vehicle. No field cases of wheel separation have been reported, and there have been no accidents, injuries, or deaths related to this concern.



The repair is to retighten the front and rear wheel lug nuts from 137Nm (101 ft. lb.) to 147Nm (108 ft. lb.).

**SUBJECT VEHICLES**

Model	VIN range	Build date range
2019 Mazda3 (built at MC)	JM1 BP**** K1 100042 - 136438	From September 25, 2018 through April 19, 2019
2019 Mazda3 (built at MMVO)	3MZ BP**** KM 100048 - 112386	From January 15, 2019 through May 3, 2019

The asterisk symbol "\*" can be any letter or number.

**OWNER NOTIFICATION**

Mazda will notify U.S. owners by first class mail by late June, 2019.

**WARRANTY CLAIM PROCESSING INFORMATION**

	<b>Retighten Wheel Nuts (front &amp; rear)</b>
Process Number	AK036A
Symptom Code	99
Damage Code	99
Causal Part No. & Quantity	7777-SP-R47 & 0
Labor Operation	XXR7YXTX
Labor Hours	0.2 hrs.

**RENTAL CAR INFORMATION**

Rental vehicles are not applicable to this recall.