

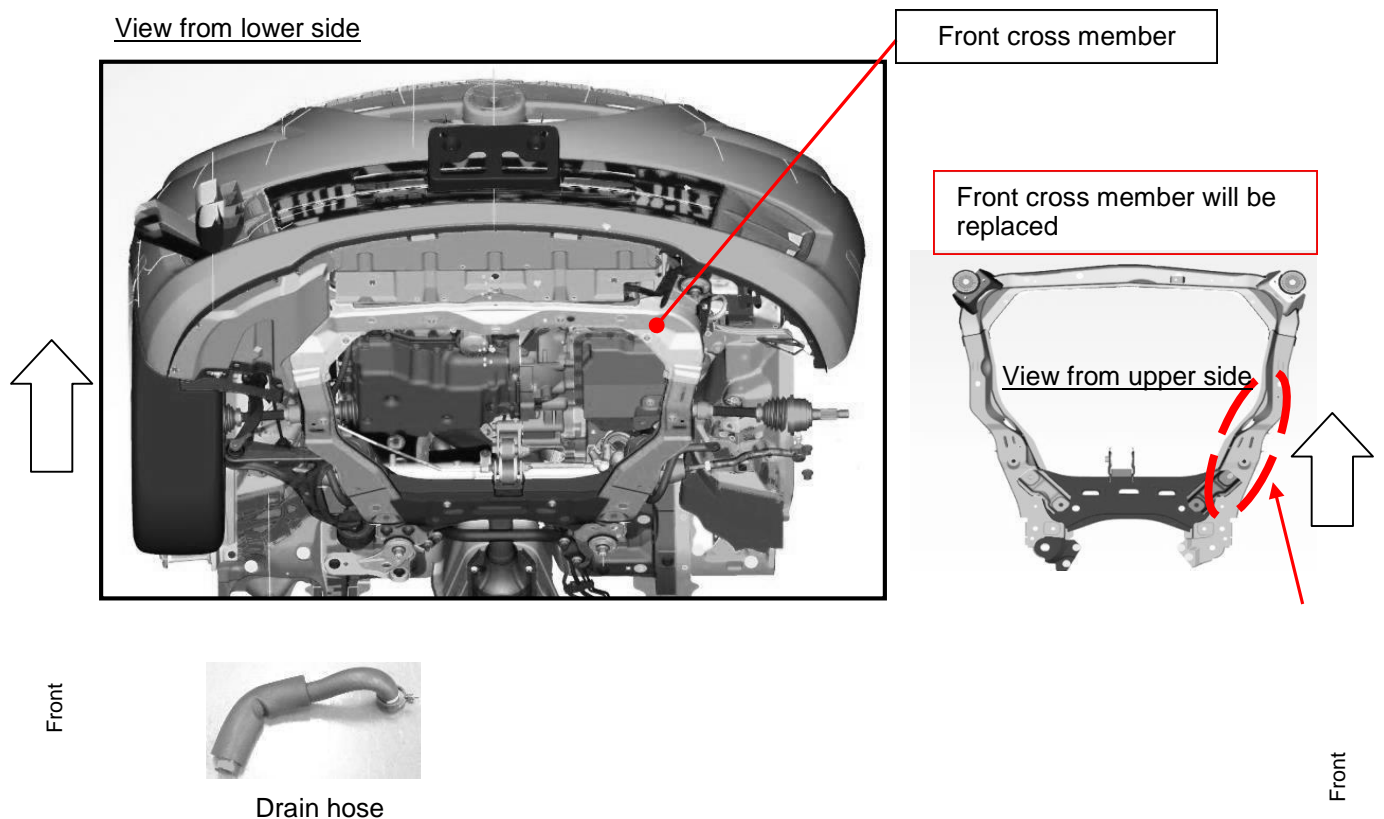
Update September 17, 2020

CONDITION OF CONCERN

On certain subject Mazda6 vehicles in salt belt states, it is possible the front cross member may be corroded due to suspected insufficient paint coating. Continued use of the vehicle may allow the corrosion to progress, causing the support of the right lower control arm to decrease. Passing over a pothole may result in breakage of the cross member and reduced steering control, increasing the risk of a crash.

OUTLINE OF REPAIR - Temporarily starting September 18 replace Front Cross Member due to expiration of Cavity Wax and install drain hose.

For any claims of failure after the recall has been completed, please contact Dealer Recall Help with photos of the subframe damage and the repair order with diagnosis and recommended parts to be replaced. Do not repair the vehicle without authorization from Warranty.



Please refer to the Inspection and Repair Procedure document on MGSS for the details.

SUBJECT VEHICLES

Model	Subject VIN range	Subject build date range	Note
2009-2013MY Mazda6	1YV HP**** 95 M00001 – M52259 1YV HZ**** A5 M00014 – M58879 1YV HZ**** B5 M00002 – M30741 1YV HZ**** C5 M00001 – M44241 1YV HZ**** D5 M00004 – M17345	From February 4, 2008 through August 24, 2012	Currently or ever registered in Salt belt states

The asterisk symbol "*" can be any letter or number.

OWNER NOTIFICATION

Mazda notified U.S. owners by first class mail beginning November 9, 2018.

PARTS INFORMATION FOR PARTS ORDERING

Description	Part Number	Quantity	Remarks
Cross Member I4	0000-I4-2818	1	Includes cross member and drain hose.
Cross Member Kit V6	0000-V6-2818	1	Includes all gaskets, cross member and drain hose.

PARTS INFORMATION FOR WARRANTY CLAIMS

Description	Part Number	Quantity	Remarks	Scrap	
Cross Member	GS3L-34-80XE	1	Cross Member Replacement	For I4 (2.5L) engine	YES
Cross member	GS4H-34-80XD	1		For V6 (3.7L) engine	YES
Gasket	CA01-40-305	1		For V6 (3.7L) engine	YES
Seal Ring	CA02-40-581	1			
Gasket	CY01-40-305A	1			
Drain hose	GSY0-61-52X	1	For All vehicles		N/A
Campaign Label	9999-95-065A-06	1=50 labels	Obtain in Mazda e-Store (no charge)		

WARRANTY CLAIM PROCESSING INFORMATION

For any claims of failure after the recall has been completed, please contact Dealer Recall Help with 3 or more clear subframe photos and the repair order with diagnosis and recommended parts to be replaced. Do not repair the vehicle without pre-authorization approval from Warranty.

Replacement of Cross Member Installation of Drain Hose Adjustment of Wheel Alignment (Inspection time has been removed)				
Process Number	AJ047C			
Symptom Code	99			
Damage Code	99			
Part Number Main Cause & Quantity	GS3L-34-80XE Qty 1 (I4 engine) GS4H-34-80XD Qty 1 (V6 engine)			
Related Parts Number & Quantity	GSY0-61-52X Qty 1			
	CA01-40-305 Qty 1 (3.7) V6 CA02-40-581 Qty 1 (3.7) V6 CY01-40-305A Qty 1 (3.7) V6			
Labor Operation Number & Labor Hours	Operation No.	Labor Hours	Applicable to:	Note (operation)
	XXP93XRX	2.9 H	I4 Eng.	Inspection, Cross member replacement & Drain hose Installation
	XXP93XRX	3.1 H	V6 Eng.	
	XXP94AAX	1.1 H	Wire Type	Alignment Adjustment
XXP94BAX	0.7 H	Wireless Type		
Sublet (Alignment and Towing)	C1	Alignment	All Cars	\$125.00**
	K1	Towing	All Vehicles	\$250.00**

**** Amount's above limits for alignment and towing will need authorization from the appropriate MNAO source.**

Note: If any other parts need to be replaced due to damage caused directly by failure of the front cross member or if additional time is required, submit applicable part numbers, quantities, and time as related parts **AFTER YOU RECEIVE PRIOR AUTHORIZATION FROM THE WARRANTY DEPARTMENT.**

For vehicles of which cross member was replaced with modified one:

(Repaired prior to launch of recall): Approximately May 2018 and later. MUST CHECK eMDCS and list of applicable vehicles already repaired.

	Installation of Drain Hose
Process Number	AJ047D
Symptom Code	99
Damage Code	99
Part Number Main Cause & Quantity	GSY0-61-52X Qty 1
Labor Operation Number	XXP9JXRX
Labor Hours	0.3 H (I4 engine) 0.2 H (V6 engine)

RENTAL CAR INFORMATION

Mazda recommends the usage of the MCVP loaner vehicle when available. If all MCVP loaner vehicles are in use and unavailable, and the customer needs a rental car, then use your local rental facility and offer a rental car. Be sure that every effort is made to repair the car within one business day or less in order to allow the next customer the same experience.

Rental Car Warranty Claim Information

	MCVP Vehicle Preferred	Rental Agency Vehicle
Warranty Type Code	N/A MCVP does not require claim submission	A
Symptom Code		99
Damage Code		99
Part Number Main Cause		5555-28-18IR
Part Quantity		0
Labor Operation Code		MM024XRX
Labor Hours		0
Sublet – Rental Car		
Sublet Invoice Number		Number from Rental Invoice or Dealer Purchase Order
Sublet Type Code		Enter "Z9" (other)
Sublet Amount		Up to \$30.00 per day for the number of days customer had rental car
Sublet Text		Number of days rental car was supplied to customer

Rental expenses exceeding the two-day limit will require prior **Warranty Department Authorization**, as outlined in the Mazda Rental Car Reimbursement Program policy.