



## MorRyde Orbital Pin Box Bolts

<b>Bulletin Type:</b>	Recall
<b>Bulletin #(s):</b>	19V-628 US 2019-446 CN
<b>Job Code(s):</b>	9901435
<b>Flat Rate(s):</b>	<b>RC024</b> – Inspect and replace bolts as required .25 Hour <b>RC025</b> – Lock Out Procedure .5 Hour <u>Only when applicable.</u>

<b>Publication Date:</b>	September 2019
<b>Make:</b>	Jayco
<b>Model:</b>	Eagle HT Fifth Wheel
<b>Model Year(s):</b>	2019-2020

<b>Incident:</b>	Rotating Pin Box may have improper length bolt/s that hold the wedge to the pin box.
<b>Affected Units:</b>	<p><b>2019 Eagle HT FW Models Affected</b> K1P1, P5, P6, P7, P9, PA, PB, PG, PN, PP, PR <u>built w the optional pin box</u></p> <p><b>2020 Eagle HT FW Models Affected</b> L1P5, P7, P9, PA, PB, PG, PN, PP, PR <u>built w the optional pin box</u></p> <p><i>Please note serial number listing at the end of these Instructions.</i></p>
<b>Parts Kit:</b>	Parts Kit #: <b>19V-628</b>
	Contents: 2 bolts 2" and 1 bolt 1 ¼"
<b>Misc. Tools &amp; Supplies:</b>	<p>15/16" Socket Breaker bar Torque Wrench (250 FT/LBS) Tape measure or ruler Optional: Impact gun Optional: ratchet</p>

# IMPORTANT SAFETY RECALL NOTICE

## RECALL INSTRUCTIONS

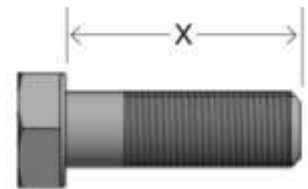
**NOTE:** Perform the following steps on one bolt at a time, so that if the wedge is installed in the rotation position, it can maintain that position without having to follow the wedge installation instructions in the owner's manual. When a bolt is removed, inspected and the length determined incorrect, the following repair instructions are required.

### STEP 1:

Using the breaker bar and the 15/16" socket, loosen one of the bolts that hold the wedge in place. Remove the bolt and verify it is the proper length. Orbital Rotating Rubber Pin Box uses two 2" bolts and one 1-1/4"

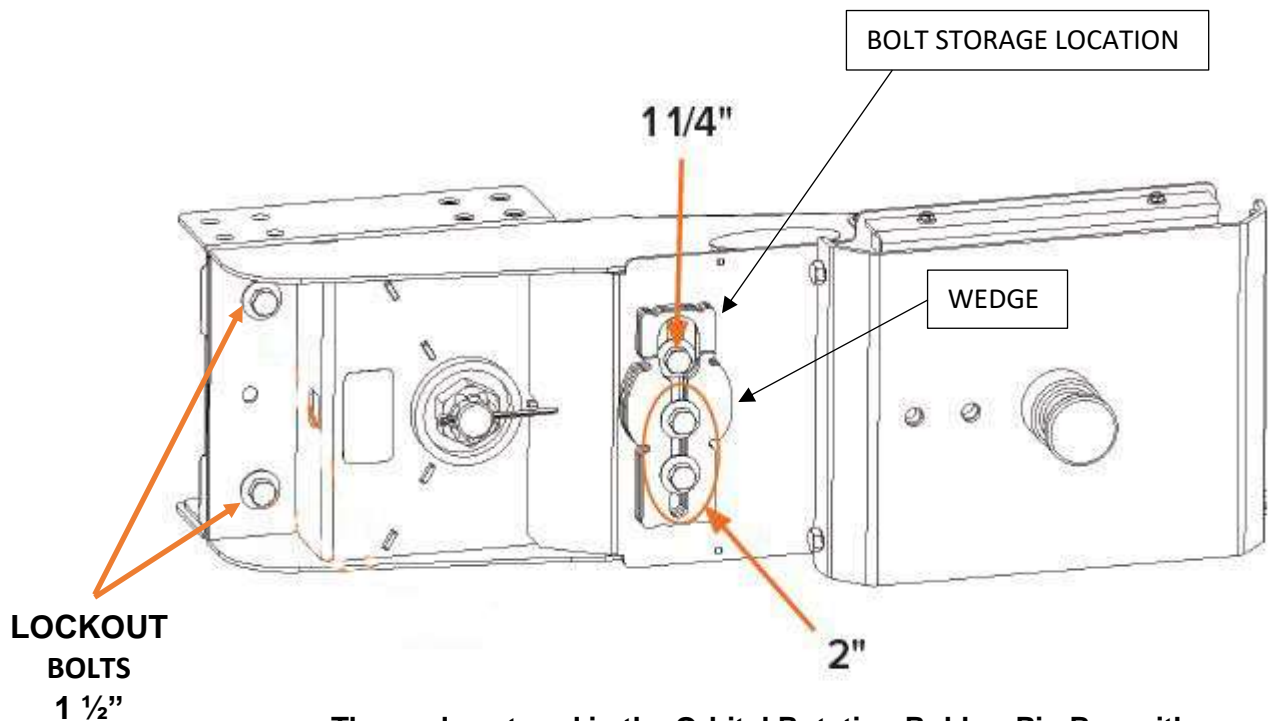
### LOCKOUT PROCEDURE:

Lockout procedure is only required if the unit is in the rear rotation transport position AND the dealer performing the recall does NOT have the necessary y bolts to replace the incorrect bolts that are installed on their wedge.

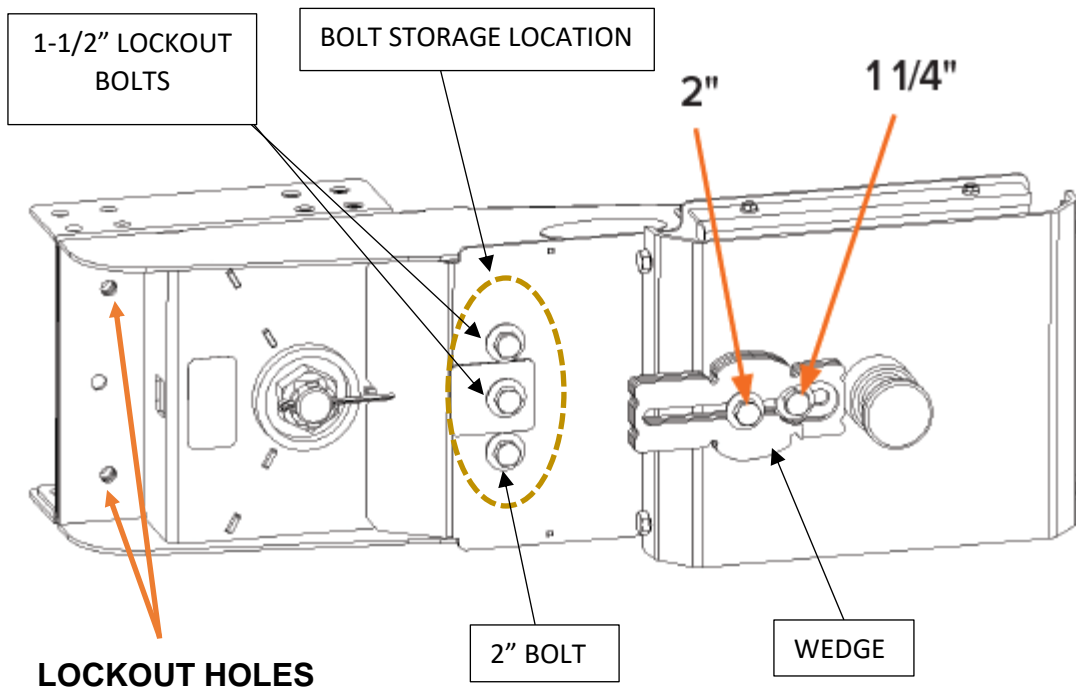


#### NOTE:

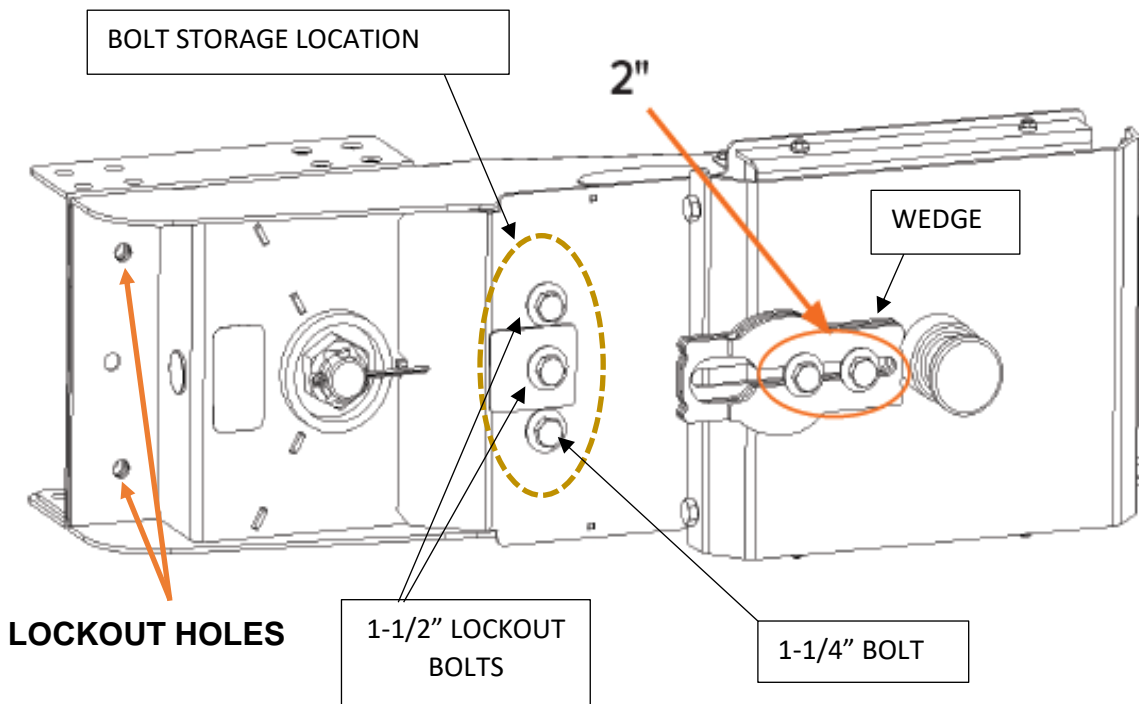
Hex head bolts are measured from below the head as shown above and usually measure approximately 1/16" shorter than the specified measurement.



The wedge stored in the Orbital Rotating Rubber Pin Box with 3 bolts installed (two 2" and one 1-1/4")



The wedge in the Orbital Rotating Rubber Pin Box with 2 bolts installed (2" and 1-1/4"). The 3<sup>rd</sup> bolt (2") is located in the storage location and needs to be checked as well. Do not confuse it with the two 1-1/2" lockout bolts which are also in the storage location.



The wedge in use in the alternate orientation of the Orbital Rotating Rubber Pin Box with two 2" bolts installed. The 3<sup>rd</sup> bolt (1-1/4") is in the storage location and needs to be checked as well. Do not confuse it with the 2 lockout bolts (1-1/2") which are also in the storage location.

### STEP 2a

If the bolt that was removed in Step 1 was **correct**,  
Reinstall the bolt and torque to 200 ft-lbs.  
Continue to Step 3.

### STEP 2b

If the bolt that was removed in Step 1 was  
Incorrect, replace it with the correct bolt from  
Parts kit and torque to 200 ft-lbs.

### STEP 3

Repeat Steps 1 & 2 for both the remaining  
bolts. (Total bolts to inspect is 3)

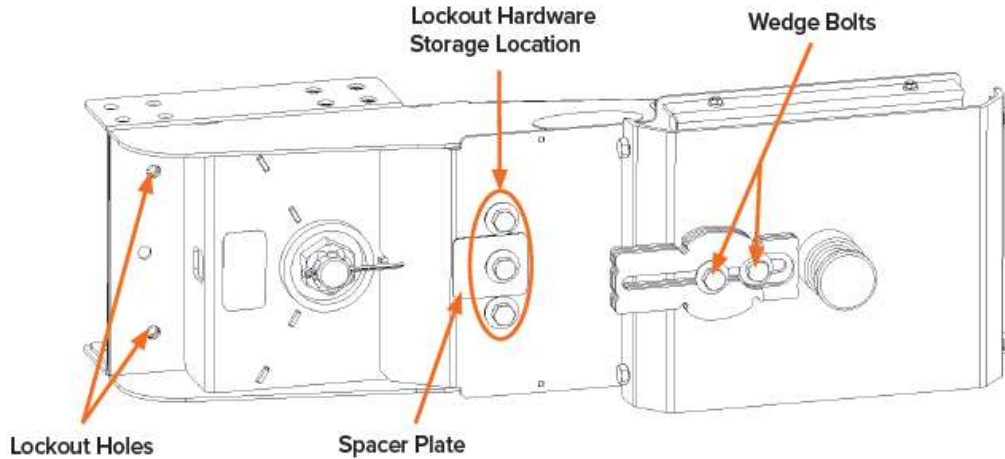
# IMPORTANT SAFETY RECALL NOTICE

## LOCKOUT PROCEDURE

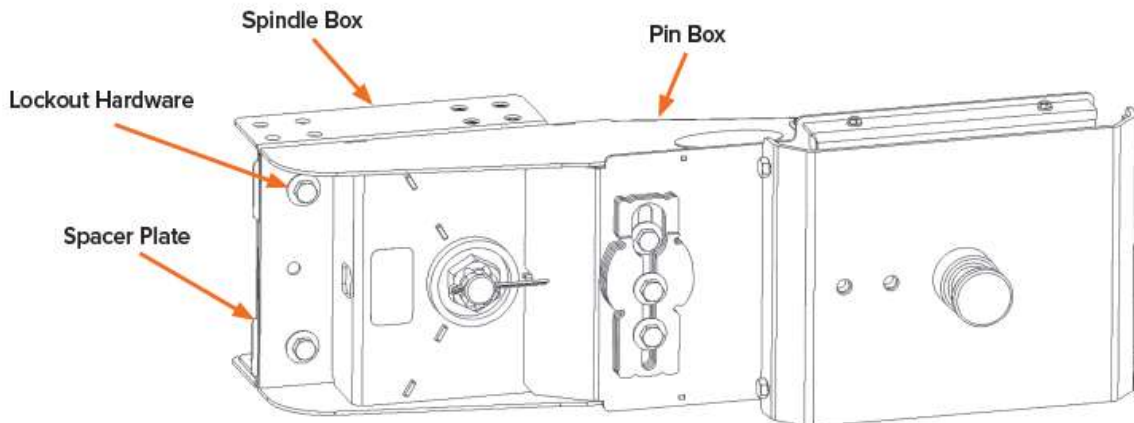
**TOOLS REQUIRED:** • 15/16" Socket • Breaker Bar • Torque wrench capable of 200ft-lbs

**TIME ALLOWED:** 30 minutes

Use the socket and breaker bar to loosen the wedge bolts and the bolts that are in the lockout hardware storage location, removing them and the spacer plates.



Place the spacer plates between the spindle box and pin box so that the hole lines up with the lockout holes. Use the two 5/8-18 x 1.5" bolts removed from the storage location with the conical lock washers and hand thread them into the lockout holes. Use the remaining bolts and conical lock washers and hand thread them into the storage location to store the wedge. Set the torque wrench to 200ft-lbs and torque all 5 bolts.



*Jayco's sole obligation under our limited warranty is to repair or replace defective materials and/or workmanship deemed our responsibility as determined by Jayco in our sole discretion. Jayco reserves the right to use new and/or remanufactured parts or materials of similar quality to complete any work, and to make parts and/or design changes as appropriate without notice to anyone. Jayco designs and/or materials changes are done without obligation to incorporate such changes in previously manufactured product. Jayco makes every reasonable effort to ensure field remedies will not adversely affect performance and/or safety of the unit. This field remedy is not intended to extend to future performance of this RV, or any of its materials, components or parts beyond the standard warranty period. The RV owner's obligation to notify Jayco, or one of its independent, authorized dealers, of a claimed defect does not modify any obligation placed on the RV owner to contact Jayco directly when attempting to pursue remedies under state or federal law. Jan. 2019.*

903 South Main Street • P.O. Box 460 • Middlebury, IN 46540

## Unit Serial #'s w RECALLED MorRyde Orbital Pin Box

K1P10051	K1P10101	K1P10139	K1P50147	K1P60073	K1P70082	K1P90064	K1PA0066
K1P10052	K1P10102	K1P10140	K1P50149	K1P60074	K1P70085	K1P90065	K1PA0069
K1P10053	K1P10103	K1P10141	K1P50152	K1P60075	K1P70086	K1P90067	K1PA0070
K1P10054	K1P10104	K1P10142	K1P50156	K1P60076	K1P70090	K1P90068	K1PA0071
K1P10055	K1P10105	K1P10143	K1P50158	K1P60077	K1P70091	K1P90069	K1PA0072
K1P10056	K1P10106	K1P10144	K1P50159	K1P60078	K1P70094	K1P90070	K1PA0074
K1P10057	K1P10107	K1P10145	K1P50162	K1P60079	K1P70095	K1P90071	K1PA0075
K1P10058	K1P10108	K1P10146	K1P50167	K1P60080	K1P70098	K1P90073	K1PA0078
K1P10059	K1P10109	K1P10160	K1P50170	K1P60083	K1P70104	K1P90074	K1PA0079
K1P10060	K1P10110	K1P10161	K1P50177	K1P60089	K1P70111	K1P90075	K1PA0081
K1P10061	K1P10111	K1P10162	K1P50181	K1P60099	K1P70112	K1P90076	K1PA0082
K1P10062	K1P10112	K1P10164	K1P50182	K1P60100	K1P70113	K1P90077	K1PA0083
K1P10063	K1P10113	K1P10166	K1P50185	K1P60114	K1P70116	K1P90078	K1PA0084
K1P10064	K1P10114	K1P10167	K1P50186	K1P60115	K1P70121	K1P90079	K1PA0085
K1P10065	K1P10115	K1P10168	K1P50187	K1P60118	K1P70129	K1P90084	K1PA0086
K1P10066	K1P10116	K1P50051	K1P50188	K1P60120	K1P70134	K1P90085	K1PA0087
K1P10067	K1P10117	K1P50054	K1P50192	K1P60123	K1P70135	K1P90086	K1PA0088
K1P10068	K1P10118	K1P50056	K1P50193	K1P60124	K1P70136	K1P90087	K1PA0089
K1P10069	K1P10119	K1P50057	K1P50195	K1P60128	K1P70140	K1P90090	K1PA0090
K1P10070	K1P10120	K1P50058	K1P50201	K1P70051	K1P70142	K1P90091	K1PA0091
K1P10071	K1P10121	K1P50059	K1P50205	K1P70052	K1P70143	K1P90092	K1PA0094
K1P10072	K1P10122	K1P50061	K1P50206	K1P70053	K1P70147	K1P90113	K1PA0095
K1P10079	K1P10123	K1P50062	K1P50207	K1P70054	K1P70148	K1P90116	K1PA0096
K1P10081	K1P10124	K1P50063	K1P60052	K1P70055	K1P70152	K1P90117	K1PA0097
K1P10082	K1P10125	K1P50064	K1P60057	K1P70056	K1P70153	K1P90118	K1PA0099
K1P10087	K1P10126	K1P50065	K1P60058	K1P70058	K1P70157	K1P90120	K1PA0101
K1P10088	K1P10128	K1P50076	K1P60059	K1P70060	K1P90051	K1P90122	K1PA0102
K1P10089	K1P10129	K1P50077	K1P60060	K1P70062	K1P90052	K1PA0052	K1PA0103
K1P10090	K1P10130	K1P50078	K1P60061	K1P70063	K1P90053	K1PA0053	K1PA0104
K1P10091	K1P10131	K1P50079	K1P60062	K1P70065	K1P90054	K1PA0054	K1PA0107
K1P10092	K1P10132	K1P50081	K1P60063	K1P70068	K1P90055	K1PA0057	K1PA0108
K1P10093	K1P10133	K1P50082	K1P60064	K1P70070	K1P90056	K1PA0058	K1PA0110
K1P10096	K1P10134	K1P50094	K1P60065	K1P70073	K1P90057	K1PA0060	K1PA0111
K1P10097	K1P10135	K1P50098	K1P60067	K1P70075	K1P90058	K1PA0061	K1PA0112
K1P10098	K1P10136	K1P50101	K1P60069	K1P70076	K1P90059	K1PA0063	K1PA0113
K1P10099	K1P10137	K1P50130	K1P60070	K1P70078	K1P90060	K1PA0064	K1PA0114
K1P10100	K1P10138	K1P50143	K1P60072	K1P70081	K1P90061	K1PA0065	K1PA0115

**Unit Serial #'s w RECALLED MorRyde Orbital Pin Box**

K1PA0116	K1PA0207	K1PB0095	K1PB0208	K1PN0072	K1PN0120	K1PN0219	K1PP0078
K1PA0117	K1PA0208	K1PB0104	K1PB0209	K1PN0073	K1PN0121	K1PN0220	K1PP0080
K1PA0120	K1PA0212	K1PB0105	K1PB0212	K1PN0074	K1PN0122	K1PN0222	K1PP0081
K1PA0121	K1PA0213	K1PB0106	K1PB0219	K1PN0075	K1PN0123	K1PN0223	K1PP0085
K1PA0122	K1PA0214	K1PB0107	K1PG0051	K1PN0076	K1PN0128	K1PN0225	K1PP0086
K1PA0123	K1PA0215	K1PB0108	K1PG0053	K1PN0077	K1PN0129	K1PN0226	K1PP0089
K1PA0128	K1PA0216	K1PB0109	K1PG0054	K1PN0078	K1PN0130	K1PN0229	K1PP0090
K1PA0130	K1PA0217	K1PB0114	K1PG0055	K1PN0079	K1PN0131	K1PN0230	K1PP0093
K1PA0131	K1PA0219	K1PB0115	K1PG0057	K1PN0080	K1PN0132	K1PN0231	K1PP0094
K1PA0133	K1PA0220	K1PB0116	K1PG0060	K1PN0081	K1PN0133	K1PN0232	K1PP0099
K1PA0141	K1PA0226	K1PB0121	K1PG0062	K1PN0082	K1PN0134	K1PN0233	K1PP0100
K1PA0144	K1PA0227	K1PB0123	K1PG0066	K1PN0083	K1PN0135	K1PN0234	K1PP0104
K1PA0146	K1PA0228	K1PB0124	K1PG0068	K1PN0085	K1PN0136	K1PN0236	K1PP0109
K1PA0147	K1PA0229	K1PB0127	K1PG0069	K1PN0086	K1PN0137	K1PN0237	K1PP0113
K1PA0148	K1PA0230	K1PB0129	K1PG0071	K1PN0087	K1PN0138	K1PN0238	K1PP0123
K1PA0149	K1PA0231	K1PB0130	K1PG0076	K1PN0088	K1PN0140	K1PN0239	K1PP0124
K1PA0151	K1PA0236	K1PB0133	K1PG0077	K1PN0089	K1PN0141	K1PN0245	K1PP0130
K1PA0155	K1PA0238	K1PB0145	K1PG0078	K1PN0092	K1PN0142	K1PN0246	K1PP0134
K1PA0156	K1PA0240	K1PB0146	K1PG0081	K1PN0093	K1PN0143	K1PN0249	K1PP0135
K1PA0157	K1PA0246	K1PB0155	K1PG0097	K1PN0094	K1PN0144	K1PN0251	K1PP0165
K1PA0163	K1PB0051	K1PB0161	K1PG0109	K1PN0095	K1PN0148	K1PN0252	K1PP0169
K1PA0164	K1PB0052	K1PB0162	K1PG0110	K1PN0096	K1PN0149	K1PN0256	K1PP0175
K1PA0167	K1PB0053	K1PB0163	K1PG0114	K1PN0097	K1PN0150	K1PP0051	K1PP0176
K1PA0172	K1PB0057	K1PB0166	K1PG0118	K1PN0098	K1PN0155	K1PP0054	K1PP0182
K1PA0174	K1PB0058	K1PB0167	K1PN0051	K1PN0100	K1PN0156	K1PP0055	K1PP0186
K1PA0176	K1PB0062	K1PB0171	K1PN0052	K1PN0101	K1PN0157	K1PP0058	K1PP0188
K1PA0177	K1PB0063	K1PB0172	K1PN0054	K1PN0102	K1PN0158	K1PP0059	K1PP0191
K1PA0178	K1PB0064	K1PB0173	K1PN0055	K1PN0103	K1PN0159	K1PP0061	K1PP0196
K1PA0179	K1PB0067	K1PB0174	K1PN0056	K1PN0104	K1PN0160	K1PP0062	K1PP0198
K1PA0181	K1PB0068	K1PB0176	K1PN0057	K1PN0105	K1PN0161	K1PP0063	K1PP0199
K1PA0186	K1PB0069	K1PB0177	K1PN0058	K1PN0106	K1PN0162	K1PP0064	K1PP0200
K1PA0187	K1PB0070	K1PB0181	K1PN0060	K1PN0107	K1PN0163	K1PP0065	K1PP0201
K1PA0190	K1PB0072	K1PB0183	K1PN0061	K1PN0109	K1PN0164	K1PP0066	K1PP0203
K1PA0191	K1PB0073	K1PB0186	K1PN0062	K1PN0110	K1PN0166	K1PP0067	K1PP0207
K1PA0193	K1PB0078	K1PB0187	K1PN0063	K1PN0113	K1PN0167	K1PP0068	K1PP0208
K1PA0195	K1PB0080	K1PB0194	K1PN0065	K1PN0114	K1PN0169	K1PP0070	K1PP0211
K1PA0196	K1PB0082	K1PB0198	K1PN0066	K1PN0115	K1PN0195	K1PP0071	K1PP0213
K1PA0199	K1PB0084	K1PB0200	K1PN0067	K1PN0116	K1PN0202	K1PP0072	K1PP0215
K1PA0201	K1PB0085	K1PB0201	K1PN0068	K1PN0117	K1PN0208	K1PP0073	K1PP0217
K1PA0203	K1PB0086	K1PB0202	K1PN0070	K1PN0118	K1PN0212	K1PP0075	K1PR0052
K1PA0204	K1PB0094	K1PB0205	K1PN0071	K1PN0119	K1PN0218	K1PP0076	K1PR0054



**Unit Serial #'s w RECALLED MorRyde Orbital Pin Box**

K1PR0055	K1PR0188	K1PR0299	L1P50056	L1P70100	L1PB0069	L1PN0080	L1PP0116
K1PR0056	K1PR0191	K1PR0300	L1P50058	L1P90051	L1PB0070	L1PN0081	L1PP0119
K1PR0057	K1PR0192	K1PR0301	L1P50060	L1P90056	L1PB0073	L1PN0082	L1PP0120
K1PR0061	K1PR0193	K1PR0302	L1P50062	L1P90057	L1PB0074	L1PN0083	L1PP0122
K1PR0063	K1PR0194	K1PR0304	L1P50063	L1P90058	L1PB0075	L1PN0084	L1PP0123
K1PR0086	K1PR0198	K1PR0305	L1P50079	L1P90059	L1PB0081	L1PN0085	L1PP0125
K1PR0095	K1PR0199	K1PR0307	L1P50081	L1P90060	L1PB0083	L1PN0087	L1PP0126
K1PR0096	K1PR0200	K1PR0308	L1P50082	L1P90061	L1PB0085	L1PN0088	L1PP0127
K1PR0099	K1PR0201	K1PR0313	L1P50083	L1P90062	L1PB0088	L1PN0089	L1PP0141
K1PR0101	K1PR0202	K1PR0319	L1P50085	L1PA0051	L1PB0092	L1PN0093	L1PP0143
K1PR0104	K1PR0206	K1PR0321	L1P50086	L1PA0052	L1PB0093	L1PN0094	L1PP0144
K1PR0105	K1PR0218	K1PR0323	L1P50087	L1PA0056	L1PB0097	L1PN0099	L1PP0145
K1PR0106	K1PR0219	K1PR0329	L1P50088	L1PA0059	L1PB0098	L1PP0052	L1PP0147
K1PR0107	K1PR0229	K1PR0333	L1P50094	L1PA0061	L1PB0102	L1PP0054	L1PP0150
K1PR0109	K1PR0230	K1PR0334	L1P50100	L1PA0062	L1PB0105	L1PP0058	L1PP0151
K1PR0111	K1PR0232	K1PR0339	L1P50107	L1PA0063	L1PB0110	L1PP0059	L1PP0154
K1PR0112	K1PR0233	K1PR0340	L1P50109	L1PA0064	L1PG0052	L1PP0060	L1PP0161
K1PR0113	K1PR0235	K1PR0341	L1P50118	L1PA0070	L1PG0055	L1PP0061	L1PP0162
K1PR0115	K1PR0237	K1PR0342	L1P50120	L1PA0072	L1PG0056	L1PP0062	L1PP0163
K1PR0116	K1PR0239	K1PR0343	L1P50121	L1PA0074	L1PG0064	L1PP0063	L1PP0165
K1PR0118	K1PR0241	K1PR0345	L1P50122	L1PA0077	L1PG0067	L1PP0065	L1PP0168
K1PR0119	K1PR0246	K1PR0346	L1P50128	L1PA0080	L1PG0068	L1PP0069	L1PP0169
K1PR0133	K1PR0249	K1PR0353	L1P70051	L1PA0081	L1PG0069	L1PP0070	L1PP0171
K1PR0140	K1PR0251	K1PR0354	L1P70053	L1PA0082	L1PG0070	L1PP0072	L1PP0173
K1PR0141	K1PR0252	K1PR0356	L1P70058	L1PA0084	L1PG0071	L1PP0073	L1PP0174
K1PR0146	K1PR0258	K1PR0357	L1P70059	L1PA0085	L1PG0077	L1PP0075	L1PP0177
K1PR0147	K1PR0261	K1PR0358	L1P70060	L1PA0086	L1PG0080	L1PP0076	L1PP0179
K1PR0148	K1PR0264	K1PR0359	L1P70061	L1PA0091	L1PG0084	L1PP0078	L1PP0181
K1PR0149	K1PR0270	K1PR0361	L1P70064	L1PA0097	L1PK0050	L1PP0080	L1PP0182
K1PR0150	K1PR0271	K1PR0364	L1P70065	L1PA0099	L1PN0051	L1PP0083	L1PP0186
K1PR0151	K1PR0276	K1PR0365	L1P70066	L1PA0102	L1PN0053	L1PP0085	L1PP0189
K1PR0162	K1PR0277	K1PR0367	L1P70067	L1PB0052	L1PN0054	L1PP0088	L1PP0190
K1PR0163	K1PR0279	K1PR0372	L1P70073	L1PB0054	L1PN0060	L1PP0095	L1PP0191
K1PR0169	K1PR0281	K1PR0373	L1P70076	L1PB0058	L1PN0061	L1PP0100	L1PP0192
K1PR0170	K1PR0282	K1PR0374	L1P70077	L1PB0059	L1PN0065	L1PP0101	L1PP0193
K1PR0171	K1PR0283	K1PR0376	L1P70082	L1PB0061	L1PN0069	L1PP0103	L1PP0194
K1PR0172	K1PR0289	L1P50051	L1P70087	L1PB0062	L1PN0072	L1PP0106	L1PR0052
K1PR0173	K1PR0291	L1P50052	L1P70088	L1PB0063	L1PN0075	L1PP0107	L1PR0054
K1PR0174	K1PR0292	L1P50053	L1P70093	L1PB0064	L1PN0077	L1PP0113	L1PR0058
K1PR0184	K1PR0293	L1P50054	L1P70098	L1PB0066	L1PN0078	L1PP0114	L1PR0059
K1PR0187	K1PR0298	L1P50055	L1P70099	L1PB0067	L1PN0079	L1PP0115	L1PR0061



## Unit Serial #'s w RECALLED MorRyde Orbital Pin Box

L1PR0067	L1PR0159
L1PR0068	L1PR0160
L1PR0070	L1PR0161
L1PR0071	L1PR0162
L1PR0073	L1PR0163
L1PR0074	L1PR0165
L1PR0075	L1PR0166
L1PR0076	L1PR0167
L1PR0077	L1PR0169
L1PR0078	L1PR0170
L1PR0079	L1PR0174
L1PR0081	L1PR0175
L1PR0082	L1PR0177
L1PR0083	L1PR0184
L1PR0085	L1PR0187
L1PR0086	L1PR0189
L1PR0092	L1PR0191
L1PR0095	L1PR0196
L1PR0096	L1PR0204
L1PR0098	
L1PR0101	
L1PR0105	
L1PR0113	
L1PR0116	
L1PR0119	
L1PR0124	
L1PR0125	
L1PR0128	
L1PR0133	
L1PR0134	
L1PR0135	
L1PR0141	
L1PR0142	
L1PR0143	
L1PR0144	
L1PR0146	
L1PR0150	
L1PR0151	
L1PR0152	
L1PR0156	
L1PR0157	