



SIB 65 13 19

2019-05-30

DELIVERY STOP & RECALL CAMPAIGN 19V-386: HEAD AIR BAG

Please perform the procedure outlined in this Service Information on all affected vehicles before customer delivery. In the event the customer has already taken delivery of the vehicle, please perform the procedure the next time the vehicle is in the shop.

This Service Information bulletin replaces SI B65 13 19 **dated May 2019**

What's New:

- NHTSA number added
- Procedure section - HPS spring clip removal tool and information

Model

G07 (X7 Sports Activity Vehicle)

Produced from November 4, 2018 through April 3, 2019

Situation

BMW of North America, LLC is conducting a Voluntary Safety Recall of the head air bag (HPS) to check that it was installed according to specifications.

Affected Vehicles

This Recall Campaign involves certain Model Year 2019-2020 BMW X7 SAV vehicles that were produced from November 4, 2018 through April 3, 2019.

Approximately 1,822 vehicles are affected by this delivery stop/recall.

Affected vehicles show the campaign as "Open" when checked either in Warranty Vehicle Inquiry, AIR or ISPA Next and identified with the description:



Note: STOP013951 B651319 Recall: Head Air Bag.

Please utilize the Inventory Campaign Details under ROSS which shows all vehicles that have a Stop Sale in your inventory.

Cause

The head air bag (HPS) could have been installed twisted in very rare cases near the B-pillar area. This may cause the air bag to not completely inflate in case of deployment.

Correction

Check the installation of the left and right head air bags.

If the HPS is found to be twisted, then remove the mounting bolt, straighten the air bag, and reinstall the HPS.

Procedure 



Note: The referenced Repair Instructions (REP) below are included as an Attachment for your convenience. We nevertheless recommend using AIR or ISTA for each REP to easily access related/linked repairs, precautions, etc.

1- Remove all grab handles. Refer to **REP 51 16 540** and **REP 51 16 480**.

2- Loosen trim panel top for B-pillar and C-pillar. Refer to **REP 51 43 148** and **REP 51 43 251**.



Note: When removing the B pillar cover-

- You do not need to remove the lower safety belt mounting bolt on the seat
- Slide the cover down on the safety belt and rest it between the B pillar and the side of the seat during your inspection/repair
- Use caution to ensure that the sharp top edges of the B pillar cover don't contact or damage the headliner

3- Wash hands, and cover the headrests with clean towels. Lower the headliner carefully to rest on the headrests.

4- Check installation of the air bag.



NOT OK – The black line on the air bag (circled) is not continuously visible. Rework is required.



OK – The black line on the air bag is continuously visible. A slight offset of the line is acceptable.

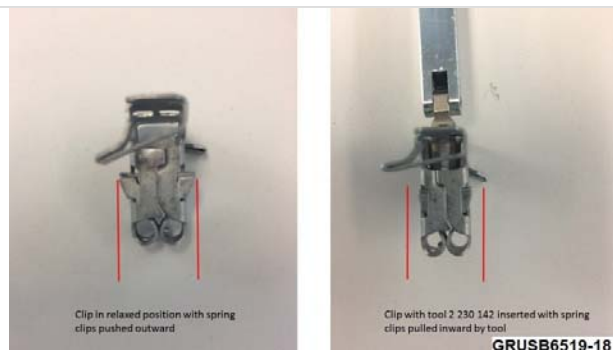
5- If the air bag is twisted, remove the mounting bolts, straighten out the air bag, and reinstall the HPS.

6- Torque the HPS mounting bolts to 8 Nm. Refer to **REP 72 12 061**.

Special Tool

83 30 2 230 142 or its supersession

83 30 2 450 405 is needed to release the spring clips that hold the air bag assembly into the body.



When the tool is inserted into the spring clip, it will retract the spring loaded locking clips. This allows the clip to be removed from the blind hole in the vehicle body.



These tools were shipped to dealers previously under the Automatic Tool Shipment Program. If the tool is not available, two straight pick tools can be used.

If the spring clip does not release with the special tool or pick tools, you may have to completely remove the headliner from the vehicle to get enough access for these clips to be removed from the body.

If this is the case,

- Document the issues in an INFO ONLY TSARA case with pictures of the problem(s)
- Reference the TSARA case # in the notes section of the warranty claim



Parts Information

Please refer to the Parts Matrix for parts ordering information.

Part Number	Description	Quantity
07 14 9 148 299	Fillister head screw M10x22	2 total (only in case of rework necessary, 1 per side)

Warranty Information

Reimbursement for this Recall will be via normal claim entry utilizing the following information:

Defect Code:	0072080200	
Labor Operation: 00 67 952	Labor Allowance: 11 FRU	Description: Check head air bag on both sides, no repair is necessary (Plus work)
AND/OR 00 67 953	29 FRU	Check head air bag on both sides, rework one side only (Plus work)
OR 00 67 954	32 FRU	Check head air bag on both sides, rework head air bag on both sides (Plus work)

Supporting Materials

[picture as pdf REP 72 12 061.pdf](#)

[picture as pdf REP 51 43 251.pdf](#)

[picture as pdf REP 51 16 540.pdf](#)

[picture as pdf B651319 Recall Notice.pdf](#)

[picture as pdf REP 51 43 148.pdf](#)

[picture as pdf 2019-BMW-MY2019-2020-G07-HeadAirBag-\(16May2019\).pdf](#)

© 2019 BMW OF NORTH AMERICA, LLC. ALL RIGHTS RESERVED

SAFETY RECALL NOTICE

To: All Center Operators, Sales Managers, Service Manager, Parts Manager and Warranty Processor

RE: Delivery Stop & Recall 19V-xxx: Head Air Bag (B65 13 19)

BMW of North America, LLC is conducting a Voluntary Safety Recall (effective May 16, 2019) on certain Model Year 2019-2020 BMW X7 SAV vehicles that were produced from November 4, 2018 through April 3, 2019.

Owners will be notified by First Class mail about the Recall and will be instructed to bring their vehicles in for a free repair when parts are available.

Please be reminded that it is a violation of federal law (The Safety Act) for you to sell, lease or deliver any new motor vehicle covered by this notification until the recall repair has been performed. This means that centers may not legally deliver new motor vehicles to consumers until they are fixed or use/sell replacement equipment/parts subject to this recall. Note also that substantial civil penalties apply to violations of the Safety Act.

Also, you should not sell, lease or deliver any Certified Pre-Owned or used vehicles subject to a safety recall until the repair is completed.

Please follow any special instructions that we provide to you for the return or disposition of recall parts.

We appreciate all your assistance with this Recall.

BMW Group - AIR: 2019-05-17 / 08:21
Retailer: 31044/01
Model: X5 xDrive40i
Vehicle identification number: 5UXCR6C53KLL07434
Development code: G05
Model code: CR63
Lead type: CR63

Removing and installing/replacing left or right head airbag (for version with panorama glass roof) »

 **WARNING**

Airbag unit.

Danger! Life-threatening injuries!

- Before performing any work on the airbag, always disconnect the battery earth lead from the battery.
- Airbag unit may only be set down with the cushion (airbag itself) facing upwards.
- For additional information see: 72 00 ... Safety regulations on handling airbag system components/gas generators

 **WARNING**

Pyrotechnic components.

Danger! Life-threatening injuries!

- All work on pyrotechnic parts may be carried out by technically experienced and appropriately trained personnel only.
- Replace any damaged part or ones that have been dropped.
- For additional information see: 72 00 Safety regulations on handling components with gas generators.

 **NOTICE**

Description is for left component only. Procedure on the right side is identical.

Remove backrest side section on left and right



NOTICE

Description is for left component only. Procedure on the right side is identical.



▶ Disconnecting all battery earth leads

- See additional information.



▶ Removing backrest side section with side airbag



WARNING

Airbag unit.

Danger! Life-threatening injuries!

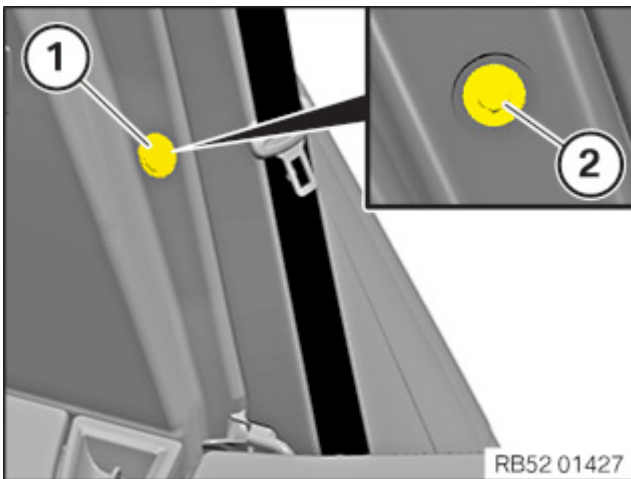
- Before performing any work on the airbag, always disconnect the battery earth lead from the battery.
- Airbag unit may only be set down with the cushion (airbag itself) facing upwards.
- For additional information see: 72 00 ... Safety regulations on handling airbag system components/gas generators

⚠ WARNING

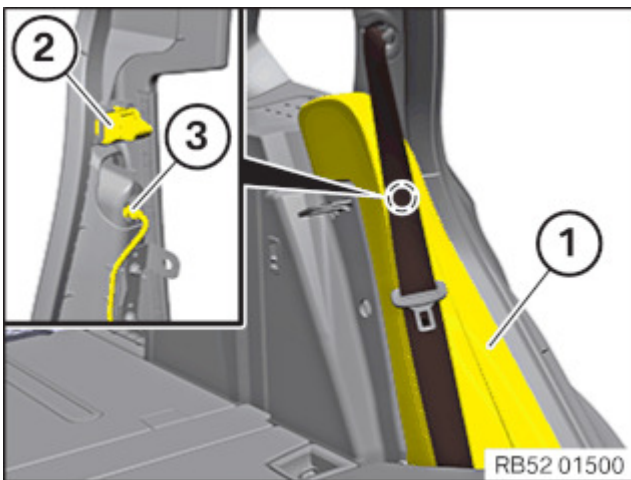
Pyrotechnic components.

Danger! Life-threatening injuries!

- All work on pyrotechnic parts may be carried out by technically experienced and appropriately trained personnel only.
- Replace any damaged part or ones that have been dropped.
- For additional information see: 72 00 Safety regulations on handling components with gas generators.



- Release trim (1).
- Loosen screw (2).



- Reach behind backrest side section (1) from above and unclip it forwards from mounting element (2).
- Unlock plug connection (3) and disconnect.
- Remove backrest side section (1) upwards from the guide.



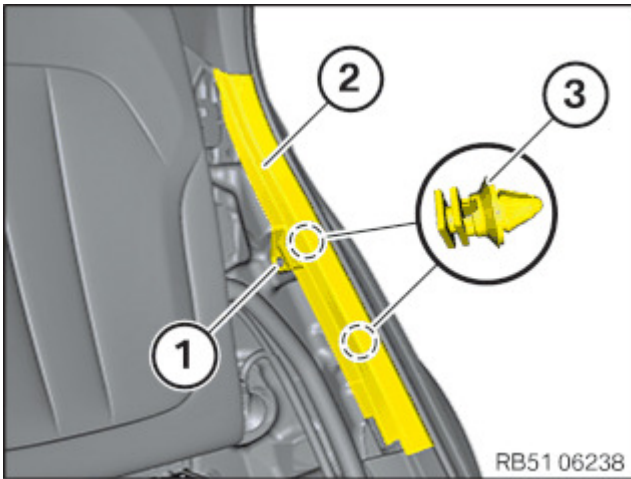
Removing the bottom left and right C-pillar trim panels

- ▶ Remove the bottom C-pillar trim panel



NOTICE

Description is for left component only. Procedure on the right side is identical.



- Loosen screw (1).
- Unclip C-pillar trim panel (2) from the clips (3).
- Thread out the C-pillar trim panel (2) from the door sill cover strip and remove.



Removing rear door sill cover strip (with an electrical rear seat)

- ▶ Removing illuminated sill trim on rear sill trim



RISK OF DAMAGE

Bending of plastic parts.

Application of too much force can lead to bending of plastic parts.

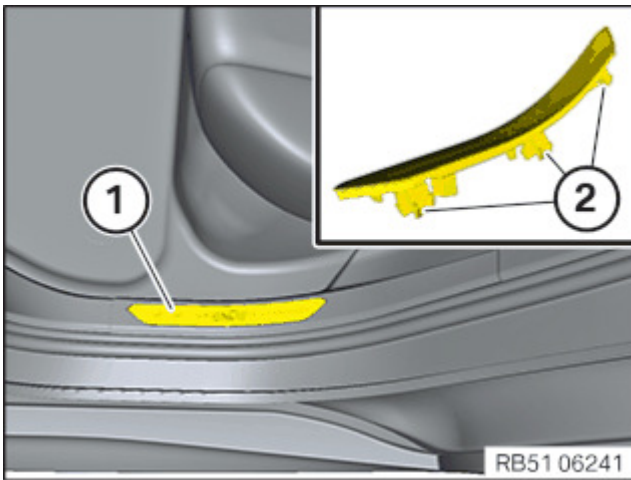
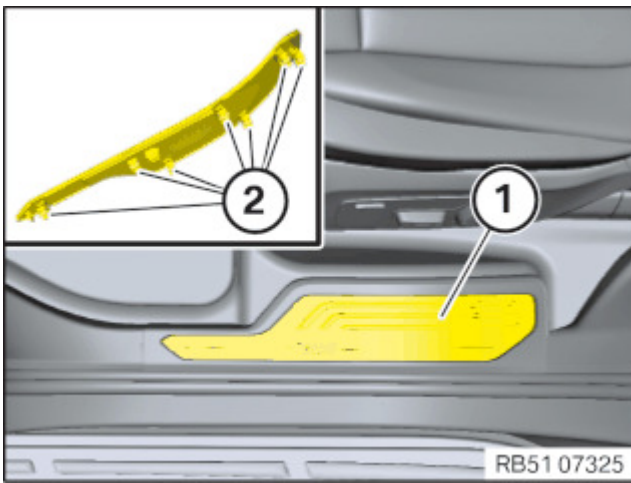
- Place special tool directly beside the mounting clip.
- Continue unclipping the part without using the tool if possible.



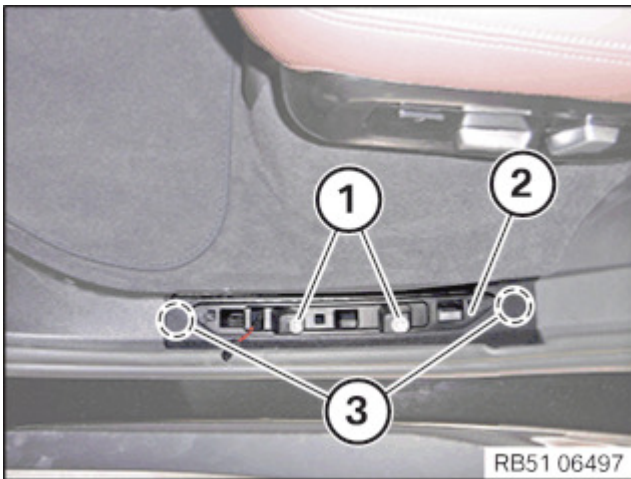
NOTICE

Description is for left component only. Procedure on the right side is identical.

- **Version A:**
- Lever the illuminated sill trim (1) upwards out of latch mechanisms (2) using a suitable tool.
- Disconnect the plug connection and remove the illuminated sill trim (1).



- **Version B:**
- Lever the illuminated sill trim (1) upwards out of latch mechanisms (2) using a suitable tool.
- Disconnect the plug connection and remove the illuminated sill trim (1).



- Loosen screws (1).
- Release and remove the rear door sill cover strip (2) with the special tool **0 496 569 (00 9 325)** upwards at the latch mechanisms (3).

Removing bottom left and right C-pillar trim panel (3rd row of seats)

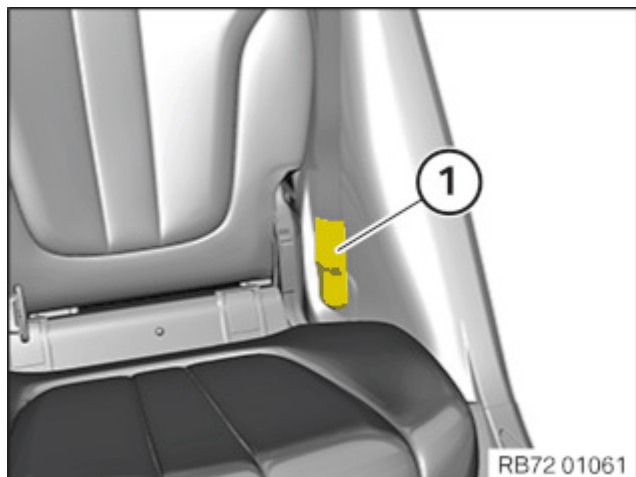
NOTICE

Description is for left component only. Procedure on the right side is identical.

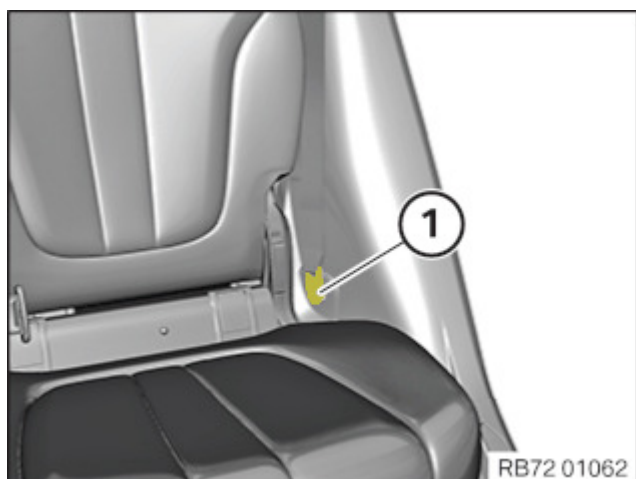
► Removing rear right end fitting on lower section of body (3rd row of seats)

Prerequisite

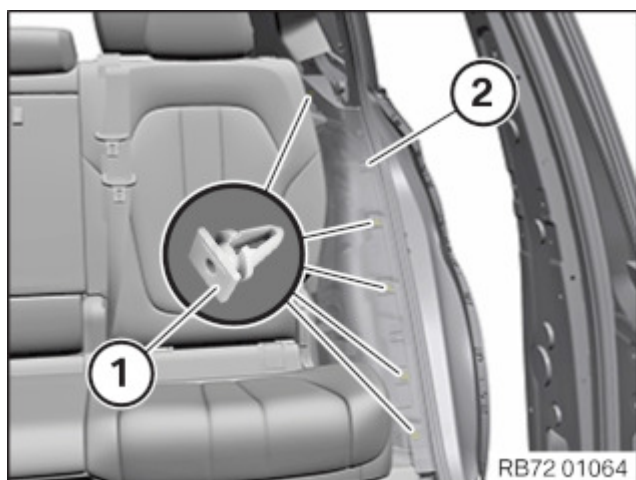
Move the 2nd row of seats fully to the front.



- Unclip rubber cover (1).



- Loosen screw (1).



- Unclip bottom C-pillar trim panel (2) from clips (1).
- Remove the C-pillar trim panel (2).

Removing the left and right C-pillar trim panels

► Remove C-pillar trim panel

WARNING

Airbag unit.

Danger! Life-threatening injuries!

- Before performing any work on the airbag, always disconnect the battery earth lead from the battery.
- Airbag unit may only be set down with the cushion (airbag itself) facing upwards.
- For additional information see: 72 00 ... Safety regulations on handling airbag system components/gas generators

WARNING

Pyrotechnic components.

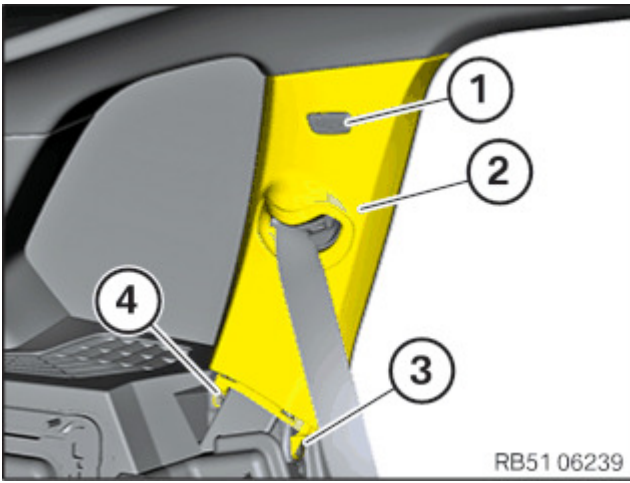
Danger! Life-threatening injuries!

- All work on pyrotechnic parts may be carried out by technically experienced and appropriately trained personnel only.
- Replace any damaged part or ones that have been dropped.
- For additional information see: 72 00 Safety regulations on handling components with gas generators.

NOTICE

Description is for left component only. Procedure on the right side is identical.

- Lever out the cover (1) from the C-pillar trim panel (2) with a suitable tool.
- Release screw below it.
- Loosen expanding rivet (3).
- Loosen screw (4).
- Guide out C-pillar trim panel (2) upwards and remove it.

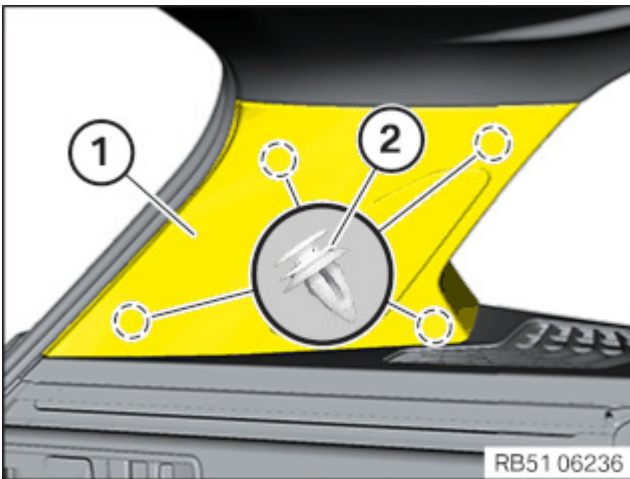


Remove D-pillar trim panel at left and right

NOTICE

Description is for left component only. Procedure on the right side is identical.

► Remove the D-pillar trim panel



- Release and guide out D-pillar trim panel (1) from clips (2).

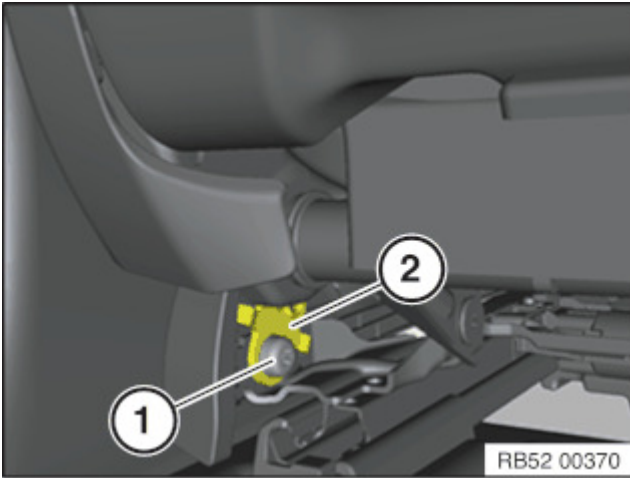


Removing B-pillar trim panels at top left and right

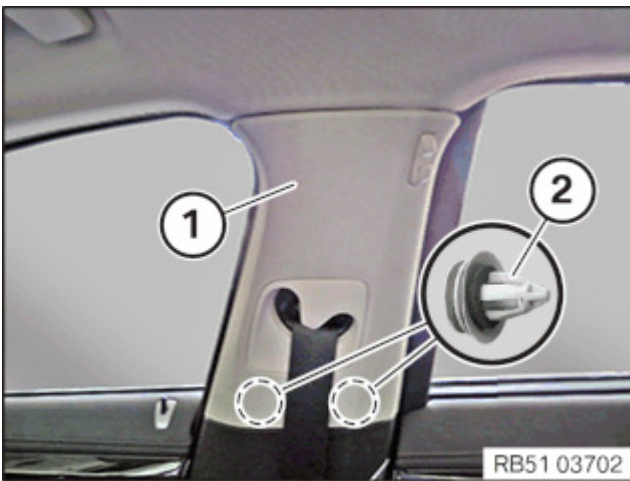
► Remove the upper B-pillar trim panel

NOTICE

Description is for left component only. Procedure on the right side is identical.



- Fully position the front seat to the front and top.
- Loosen screw (1).
- Remove end fitting (2).



- Release the B-pillar trim panel (1) from the clips (2) and guide it downwards out of the headliner.
- Remove the B-pillar trim panel (1) and, when doing so, guide out the seat belt.



Remove the A-pillar trim panel at left and right

NOTICE

Description is for left component only. Procedure on the right side is identical.

- ▶ Remove the A-pillar trim panel

⚠ WARNING

Airbag unit.

Danger! Life-threatening injuries!

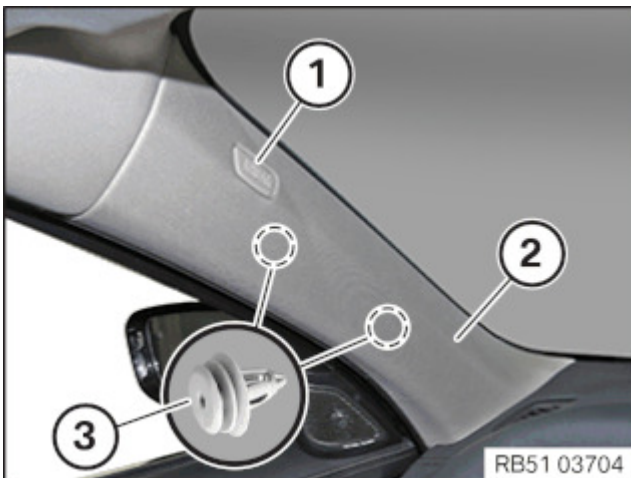
- Before performing any work on the airbag, always disconnect the battery earth lead from the battery.
- Airbag unit may only be set down with the cushion (airbag itself) facing upwards.
- For additional information see: 72 00 ... Safety regulations on handling airbag system components/gas generators

⚠ WARNING

Pyrotechnic components.

Danger! Life-threatening injuries!

- All work on pyrotechnic parts may be carried out by technically experienced and appropriately trained personnel only.
- Replace any damaged part or ones that have been dropped.
- For additional information see: 72 00 Safety regulations on handling components with gas generators.



- Unclip cover (1) and unscrew the screw below it.
- Release the A-pillar trim panel (2) from the clips (3) and guide out upwards.



Removing left and right sun visors



NOTICE

Description is for left component only. Procedure on the right side is identical.

► Remove sun visor



- Detach the sun visor (2) from the counter support .
- Pull out the cover (1).
- Disengage the sun visor (2) in front to the bottom and thread it out of the headlining at the rear.
- Unlock associated plug connection and disconnect.



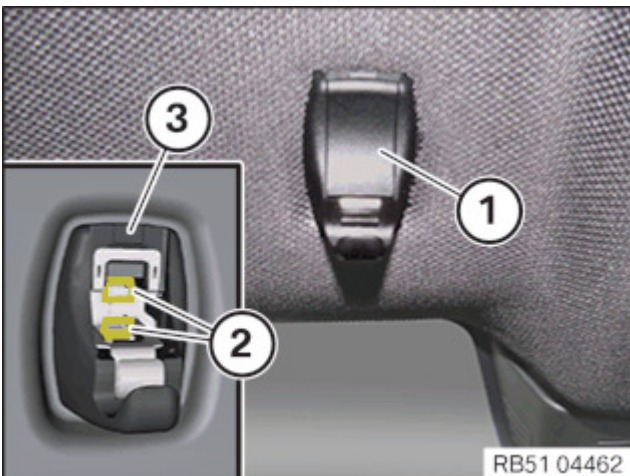
Removing counter supports for sun visor on left and right



NOTICE

Description is for left component only. Procedure on the right side is identical.

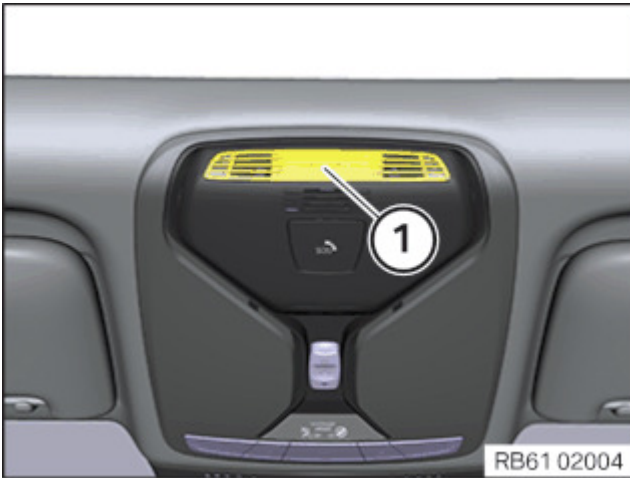
► Remove the counter support for the sun visor



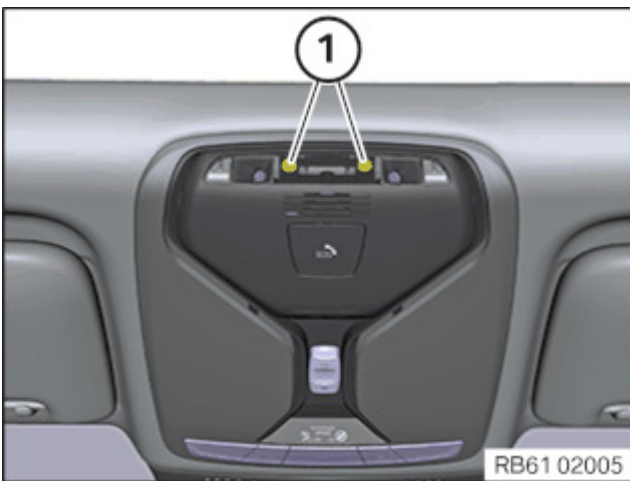
- Pull out the cover (1).
- Push the clamps (2) together and pull the counter support (3) out of the headlining.



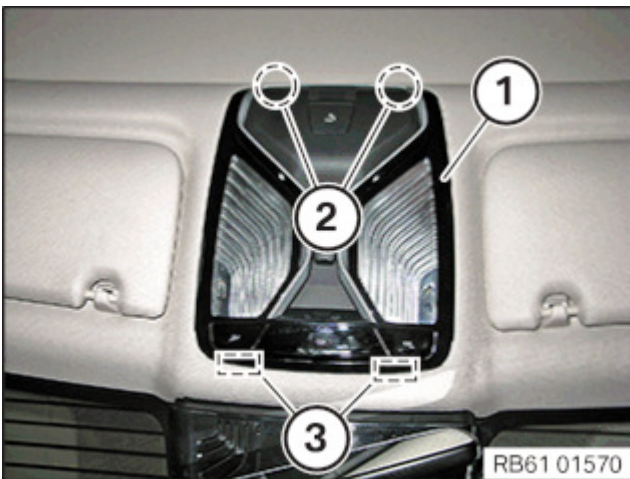
Removing the roof function centre (FZD)



- Unclip the cover (1).

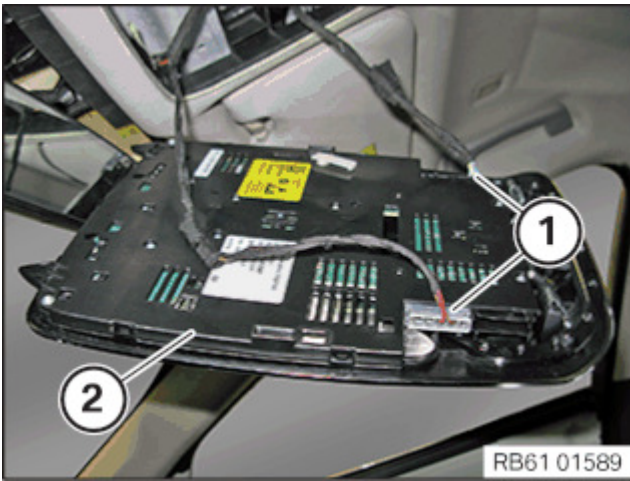


- Loosen screws (1).



- Disengage the roof function centre (FZD) (1) from the clamps (2).
- Thread the roof function centre (FZD) (1) out of the guides (3).

- Unlock and disconnect plug connections (1).
- Unclip the cable for the roof function centre (FZD) (2) from the cable clip.



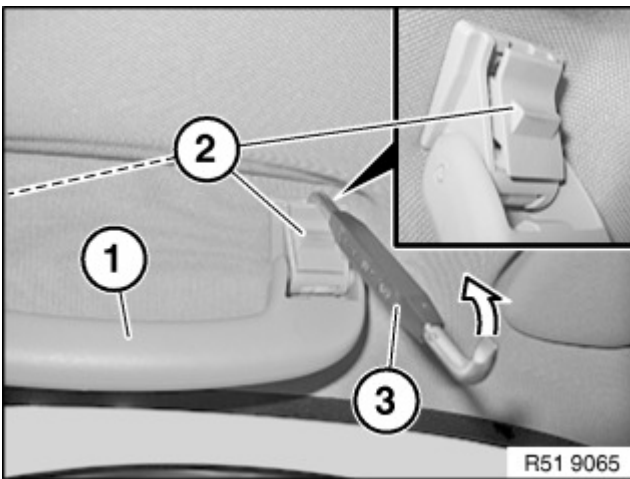
Removing all grab handles



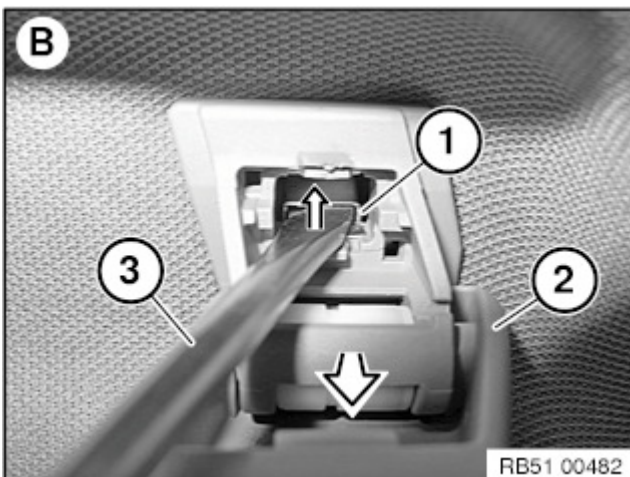
NOTICE

The description is for one component only. The procedure is identical for all further components.

► Removing the grab handle



- Expand the grab handle (1) towards the bottom.
- Disengage and remove the locking insert (2) with an angle screwdriver (3) as shown.



- Pull the grab handle (2) slightly to the inside and hold it.
- Use a suitable screwdriver (3) to detach the upper and lower release tabs (1).
- Guide the grab handle (2) out.
- Repeat the operation on the other side of the grab handle (2).

Lowering headlining (with panorama roof)

Prerequisite

The front seats have been fully adjusted towards the bottom.

The front seat backrests have been fully adjusted towards the rear.

The rear seat backrest is folded down toward the front.

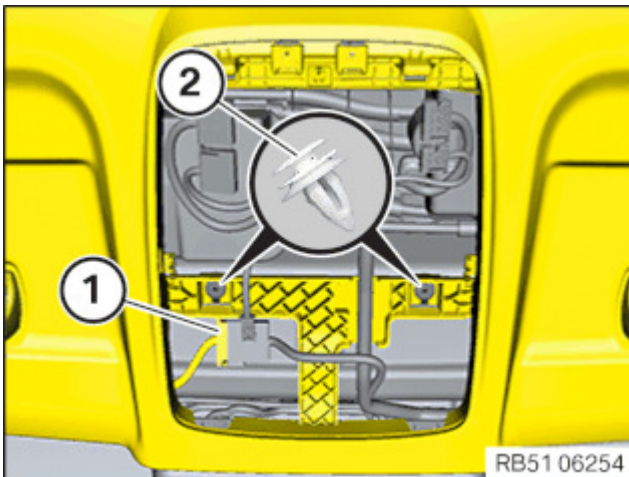


RISK OF DAMAGE

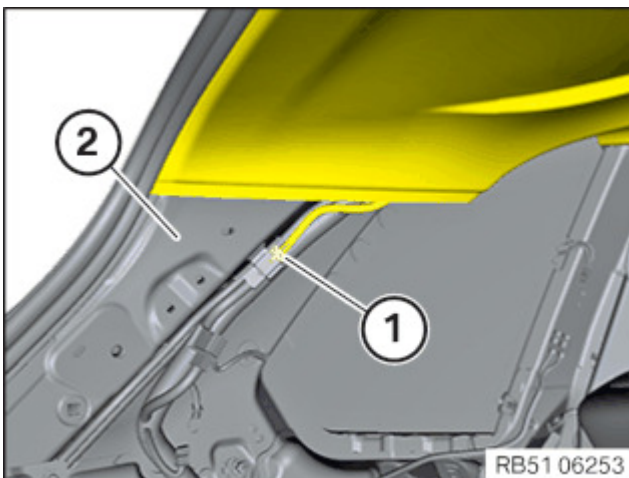
Fold the headlining.

If the headlining is folded, it may have to be replaced.

- Carry out tasks with a second person to assist.
- Support the headlining at the front and back.

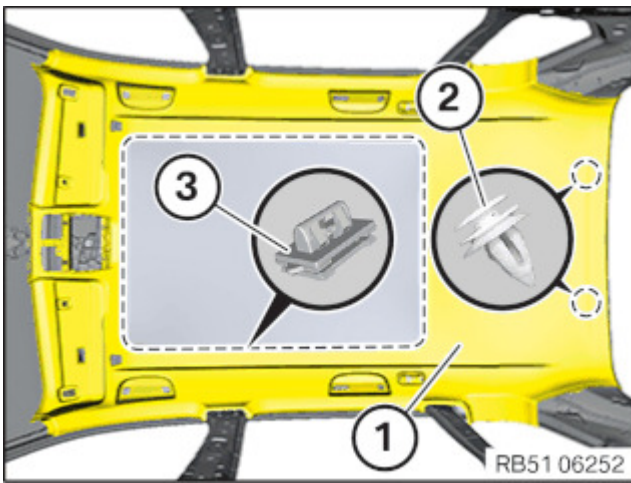


- Unlock plug connection (1) and disconnect.
- Loosen the headlining at the clips (2).



- Unlock and disconnect plug connection (1) in the area of D-pillar (2) on the left.

- Loosen the headlining (1) at the clips (2).



- Release headlining (1) from the slide/tilt sunroof unit and clamps (3) in the area of the dotted line.
- Guide out headlining (1) downwards on the particular edge protection and place it on the seats.

Disconnecting all battery earth leads



- See additional information.

Remove head airbag.

⚠ WARNING

Airbag unit.

Danger! Life-threatening injuries!

- Before performing any work on the airbag, always disconnect the battery earth lead from the battery.
- Airbag unit may only be set down with the cushion (airbag itself) facing upwards.
- For additional information see: 72 00 ... Safety regulations on handling airbag system components/gas generators

WARNING

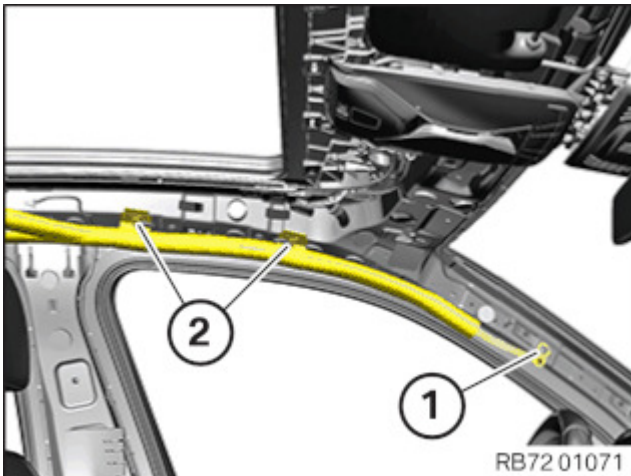
Pyrotechnic components.

Danger! Life-threatening injuries!

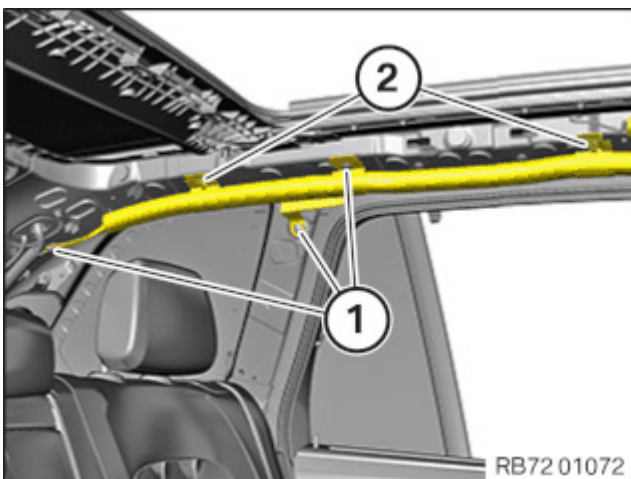
- All work on pyrotechnic parts may be carried out by technically experienced and appropriately trained personnel only.
- Replace any damaged part or ones that have been dropped.
- For additional information see: 72 00 Safety regulations on handling components with gas generators.

NOTICE

Description is for left component only. Procedure on the right side is identical.

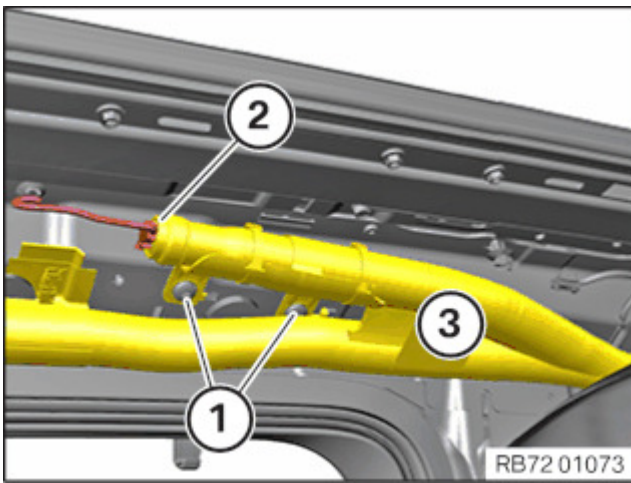


- Loosen screw (1).
- Unlock and detach the clamps (2) with special tool **2 450 405**.



- Loosen screws (1).
- Unlock and detach the clamps (2) with special tool **2 450 405**.

- Unlock plug connection (2) and disconnect.
- Loosen screws 1.
- Guide out the gas generator (3) with the folding pack and remove it.



Mount head airbag

WARNING

Airbag unit.

Danger! Life-threatening injuries!

- Before performing any work on the airbag, always disconnect the battery earth lead from the battery.
- Airbag unit may only be set down with the cushion (airbag itself) facing upwards.
- For additional information see: 72 00 ... Safety regulations on handling airbag system components/gas generators

WARNING

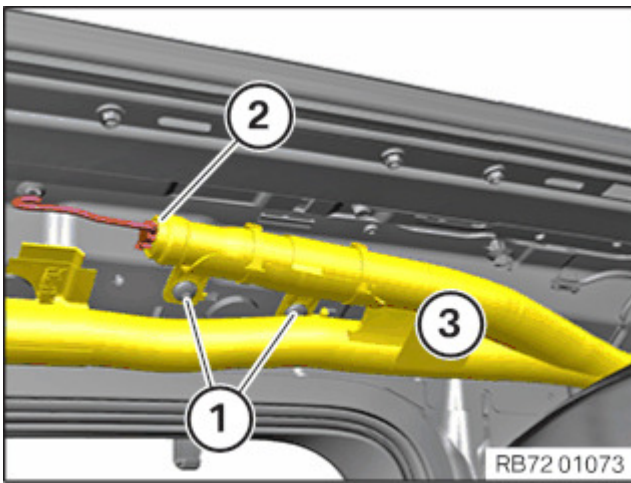
Pyrotechnic components.

Danger! Life-threatening injuries!

- All work on pyrotechnic parts may be carried out by technically experienced and appropriately trained personnel only.
- Replace any damaged part or ones that have been dropped.
- For additional information see: 72 00 Safety regulations on handling components with gas generators.

NOTICE

Description is for left component only. Procedure on the right side is identical.



- Feed in the gas generator (3) with the folding pack and correctly position.
- Tighten the screws (1).

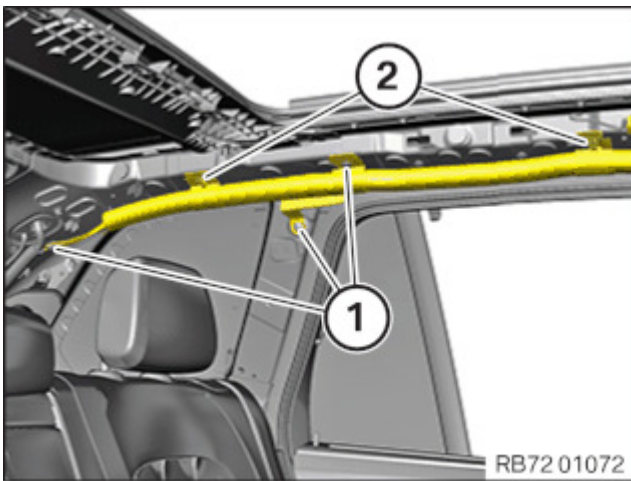
Tightening torques

Head airbag on bodyshell

Screw

8Nm

- Connect and lock the plug connection (2).



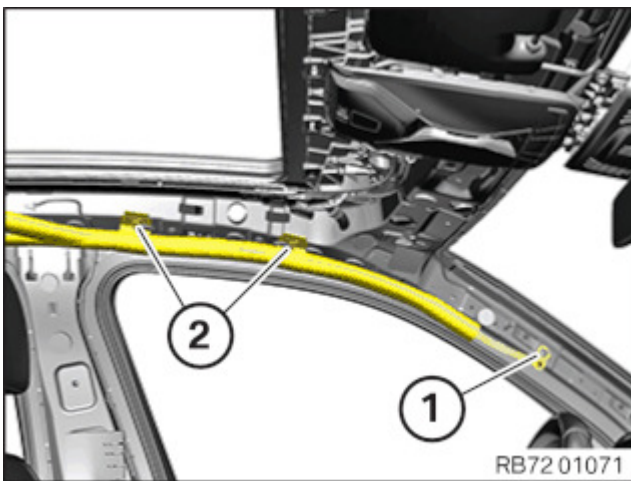
- Clip in the clamps (2).
- Tighten the screws (1).

Tightening torques

Head airbag on bodyshell

Screw

8Nm



- Clip in the clamps (2).
- Tighten down screw (1).

Tightening torques

Head airbag on bodyshell

Screw

8Nm

Disconnecting all battery earth leads

- See additional information.



Install the headlining (with panorama roof) (lowered)

Prerequisite

The front seats have been fully adjusted towards the bottom.

The front seat backrests have been fully adjusted towards the rear.

The rear seat backrest is folded down toward the front.

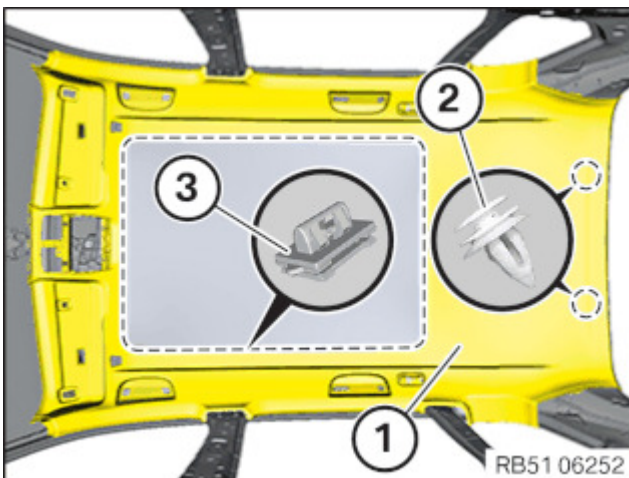


RISK OF DAMAGE

Fold the headlining.

If the headlining is folded, it may have to be replaced.

- Carry out tasks with a second person to assist.
- Support the headlining at the front and back.



- Raise headlining (1) and guide it in at the particular edge protection.

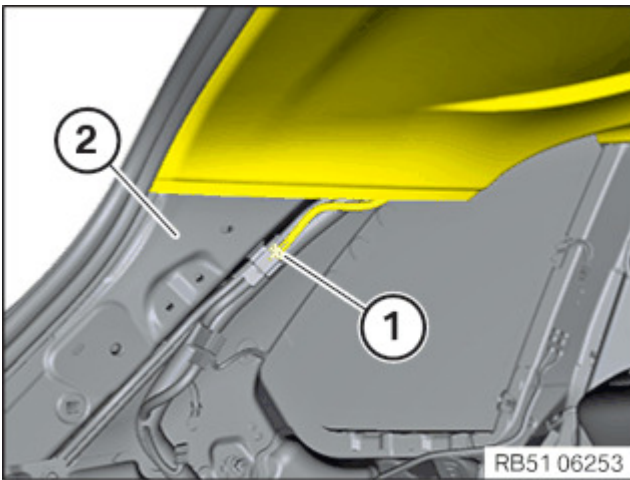
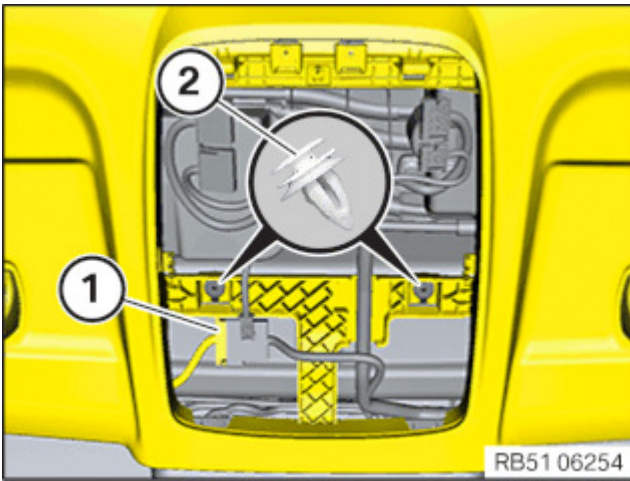
- Clip headlining (1) to the clips (2).

Make sure that headlining (1) fits correctly on the tailgate seal.

- Clip headlining (1) into the slide/tilt sunroof unit and clamps (3) in the area of the dotted line.

- Clip headlining to the clips (2).

- Connect connectors (1) and lock.



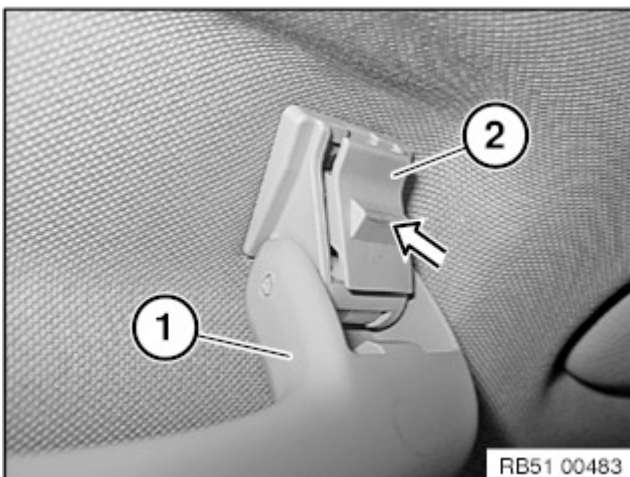
- Connect and lock connectors (1) in the area of left D-pillar (2).

Installing all grab handles

NOTICE

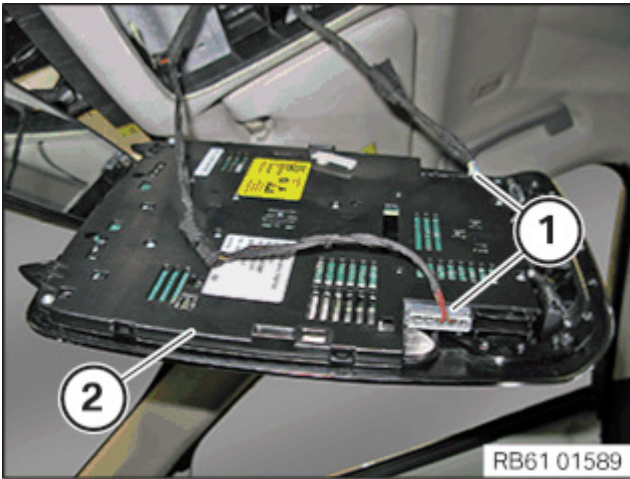
The description is for one component only. The procedure is identical for all further components.

► Installing the grab handle

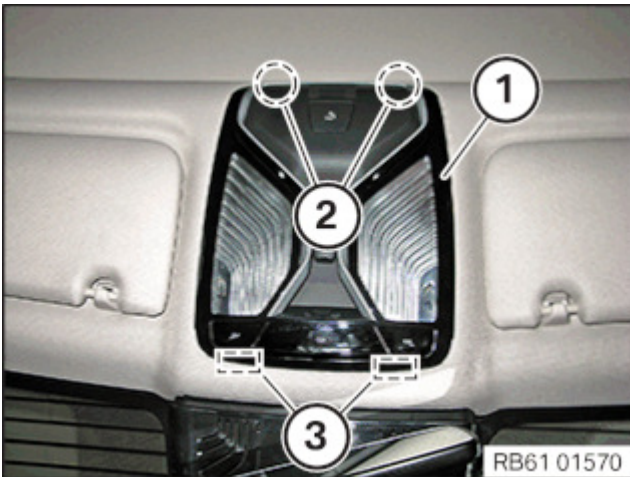


- Insert the grab handle (1) into body.
- Correctly clamp in the grab handle (1), as otherwise the locking inserts (2) on the grab handle (1) cannot correctly engage.
- Engage the locking inserts (2) on both sides of the grab handle (1).

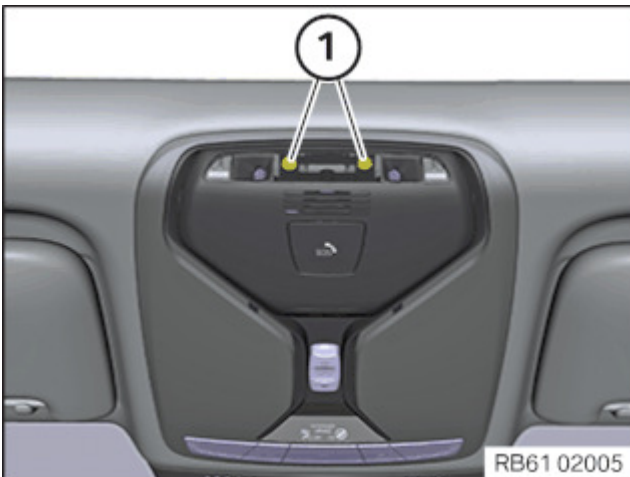
Installing roof function centre (FZD)



- Connect connectors (1) and lock.
- Clip in the cable for the roof function centre (FZD) (2) in the cable clip.



- Insert the roof function centre (FZD) (1) into the guides (3).
- Engage the roof function centre (FZD) (1) with the clamps (2) towards the top.



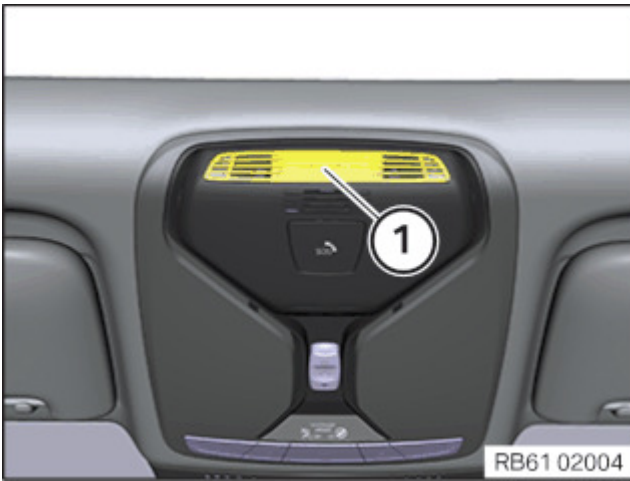
- Tighten the screws (1).

Tightening torques

Roof switch centre

Tightening torque
1,2Nm

- Clip in the cover (1).

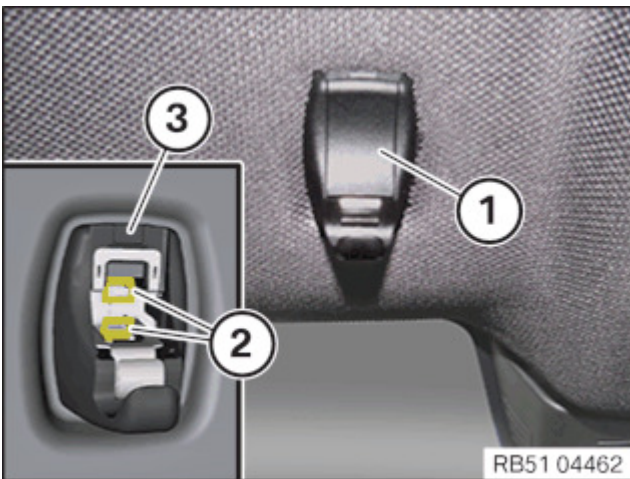


Install the counter supports for the sun visor on left and right

NOTICE

Description is for left component only. Procedure on the right side is identical.

► Install the counter support for the sun visor



- Insert the counter support (3) into the headlining.
- Make sure the clamps (2) are engaged correctly.
- Use cover (1).



Install the sun visor on the left and right

NOTICE

Description is for left component only. Procedure on the right side is identical.

► Install the sun visor



- Connect the sun visor (2) with the corresponding connector.
- Guide the sun visor (2) into the headlining.
- Use cover (1).
- Attach the sun visor (2) on the counter support.



Install the A-pillar trim panel on the left and right



NOTICE

Description is for left component only. Procedure on the right side is identical.

► Install the A-pillar trim panel

WARNING

Airbag unit.

Danger! Life-threatening injuries!

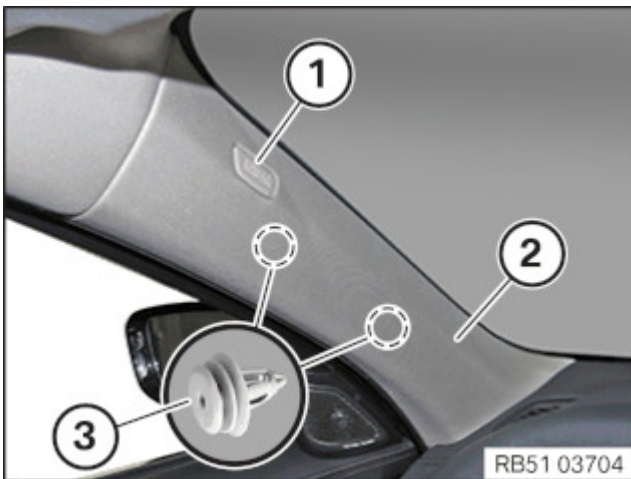
- Before performing any work on the airbag, always disconnect the battery earth lead from the battery.
- Airbag unit may only be set down with the cushion (airbag itself) facing upwards.
- For additional information see: 72 00 ... Safety regulations on handling airbag system components/gas generators

WARNING

Pyrotechnic components.

Danger! Life-threatening injuries!

- All work on pyrotechnic parts may be carried out by technically experienced and appropriately trained personnel only.
- Replace any damaged part or ones that have been dropped.
- For additional information see: 72 00 Safety regulations on handling components with gas generators.



- Insert the A-pillar trim panels (2) and clip into the clips (3).
- Tighten down screw.

Tightening torques

Body pillar trim

Bolt 4,8x38

Tightening torque
3,0Nm

- Clip in the cover (1).



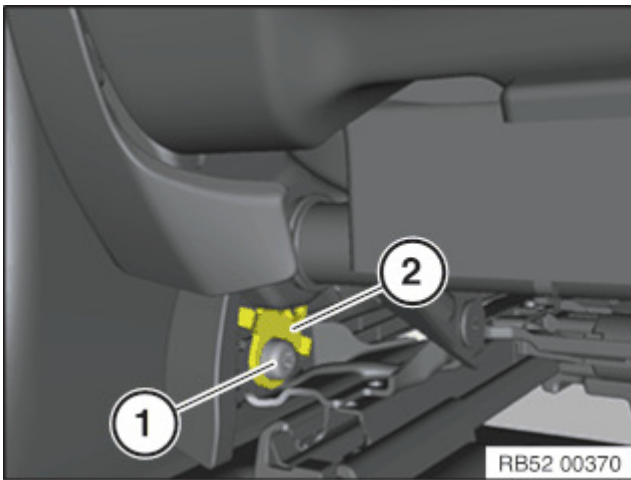
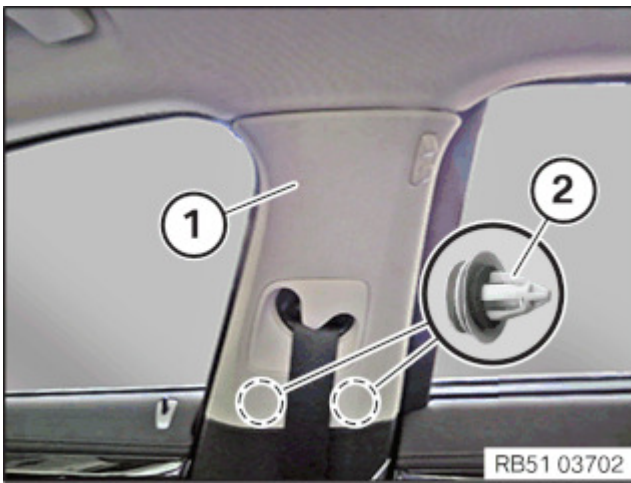
Installing the top left and right B-pillar trim panels

► Install upper B-pillar trim panel

NOTICE

Description is for left component only. Procedure on the right side is identical.

- Install the B-pillar trim panel (1) and guide in the seat belt.
- Guide in the top B-pillar trim panel (1) on the headliner and clip it in with the clips (2).
- Check the B-pillar trim panel (1) for correct fit at the front and rear edge protection.



- Fully position the front seat to the front and top.
- Insert the end fitting (2).
- Renew the screw (1).

Parts: Screw

- Tighten down screw (1).

Tightening torques

End fitting to seat mechanism

M10
Renew screw.

Tightening torque
42Nm



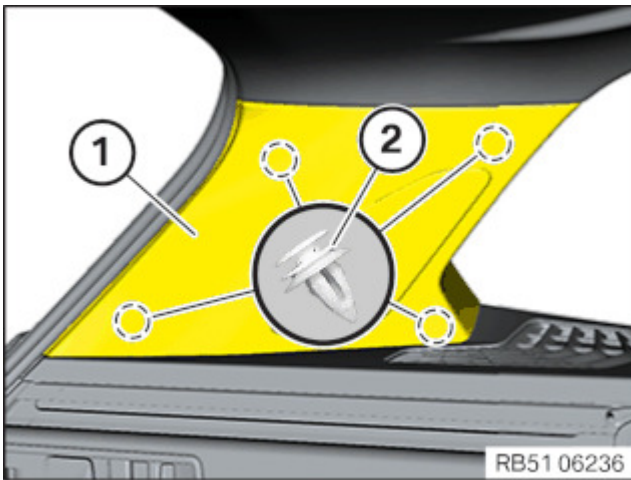
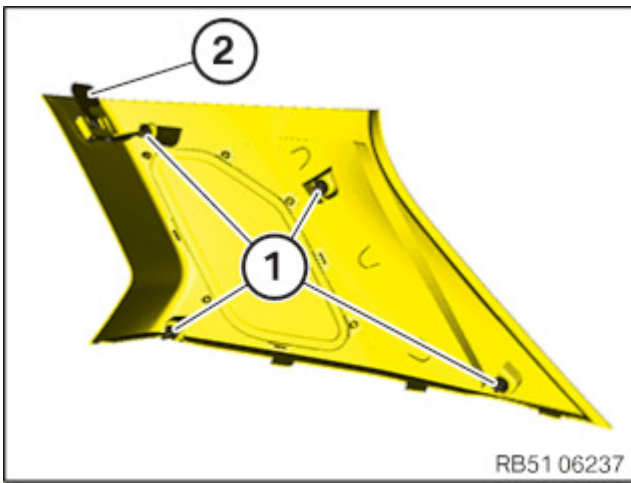
Install D-pillar trim panel at left and right

NOTICE

Description is for left component only. Procedure on the right side is identical.

► Install the D-pillar trim panel

- Check clips (1) and guide (2).
- Renew damaged clips (1) or guide (2).



- Position D-pillar trim panel (1) correctly and clip it into clips (2).



Install C-pillar trim panel at left and right

► Installing C-pillar trim panel

⚠ WARNING

Airbag unit.

Danger! Life-threatening injuries!

- Before performing any work on the airbag, always disconnect the battery earth lead from the battery.
- Airbag unit may only be set down with the cushion (airbag itself) facing upwards.
- For additional information see: 72 00 ... Safety regulations on handling airbag system components/gas generators

⚠ WARNING

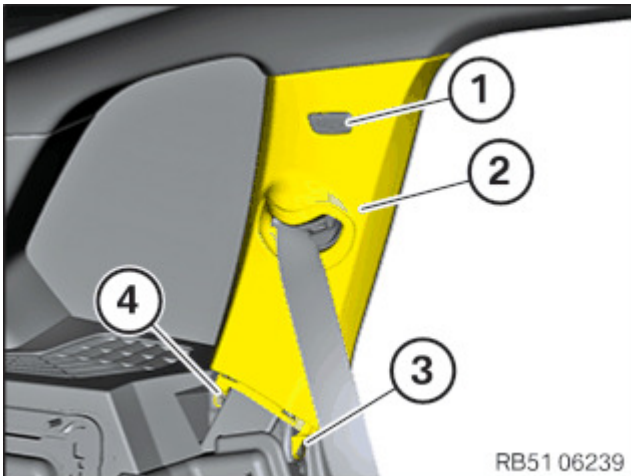
Pyrotechnic components.

Danger! Life-threatening injuries!

- All work on pyrotechnic parts may be carried out by technically experienced and appropriately trained personnel only.
- Replace any damaged part or ones that have been dropped.
- For additional information see: 72 00 Safety regulations on handling components with gas generators.

📄 NOTICE

Description is for left component only. Procedure on the right side is identical.



- Guide in and install C-pillar trim panel (2).
- Tighten down screw (4).

Tightening torques

C-pillar trim panel to body

Bolt 4,8x19

Tightening torque
3,0Nm

- Install the expanding rivet (3).
- Tighten screw and mount cover (1).

Tightening torques

Body pillar trim

Bolt 4,8x38

Tightening torque
3,0Nm



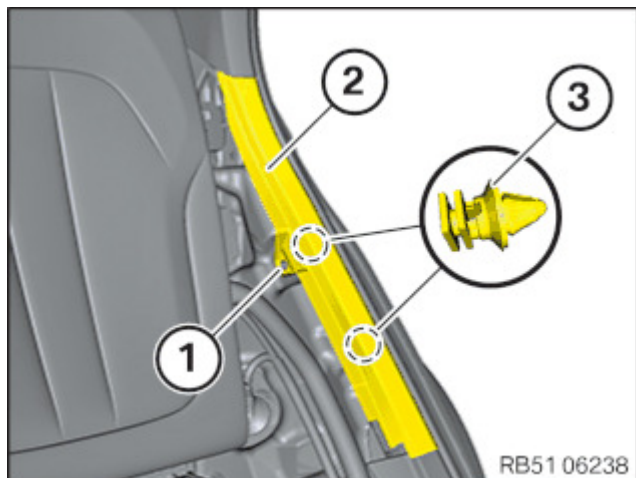
Install C-pillar trim panel at bottom left and right

▶ Install the bottom C-pillar trim panel



NOTICE

Description is for left component only. Procedure on the right side is identical.



- Guide C-pillar trim panel (2) into the door sill cover strip and position it correctly.
- Clip C-pillar trim panel (2) into clips (3).
- Tighten down screw (1).

Tightening torques

Bottom C-pillar trim panel to body

Bolt 4,8x16

Tightening torque

1,4Nm

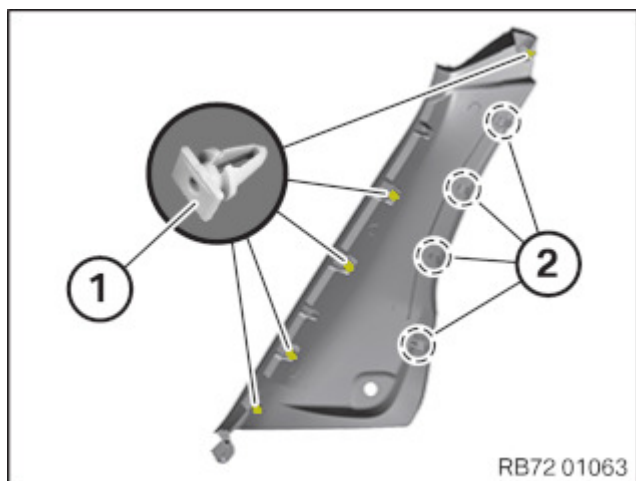


Installing bottom left and right C-pillar trim panel (3rd row of seats)



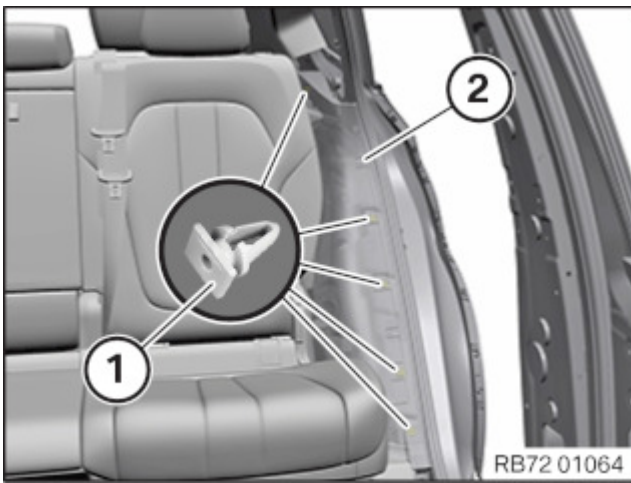
NOTICE

Description is for left component only. Procedure on the right side is identical.



- Check the clips (1) for damage and renew where required.
- Check guide pin (2) for damage, renew the C-pillar trim panel if required.

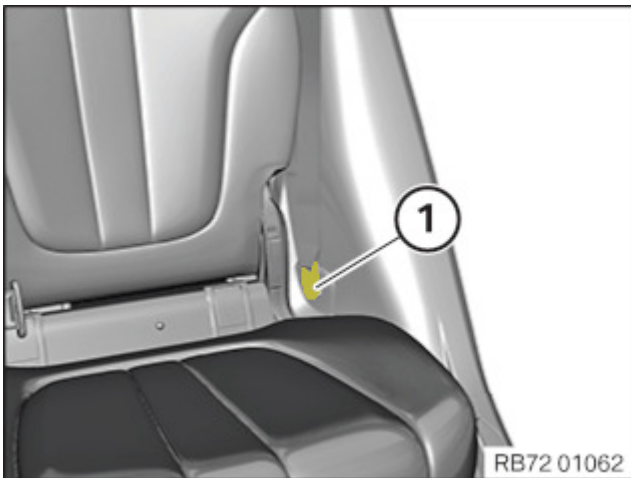
- Position C-pillar trim panel (2) and clip it onto the clips (1).



► Installing the end fitting at rear right on the body (3rd row of seats)

Prerequisite

The 2nd row of seats is adjusted fully to the front.



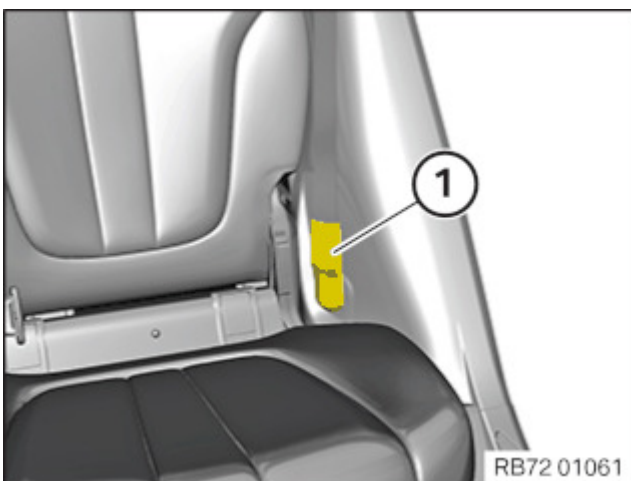
- Tighten down screw (1).

Tightening torques

End fitting on body, bottom

Screw

Tightening torque
42Nm



- Clip in rubber cover (1).



Installing rear door sill cover strip (with an electrical rear seat)

RISK OF DAMAGE

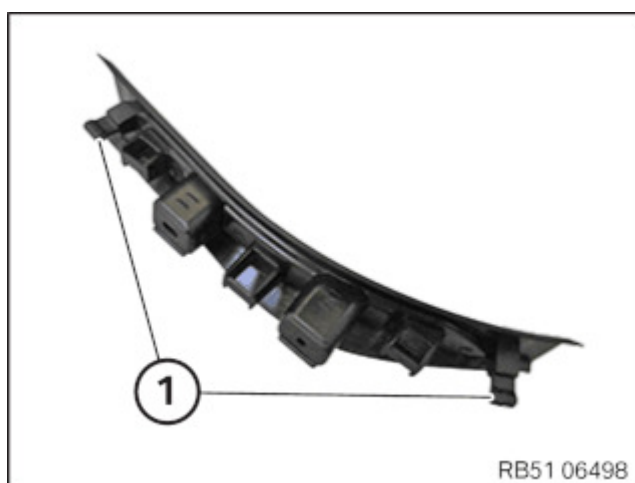
Bending of plastic parts.

Application of too much force can lead to bending of plastic parts.

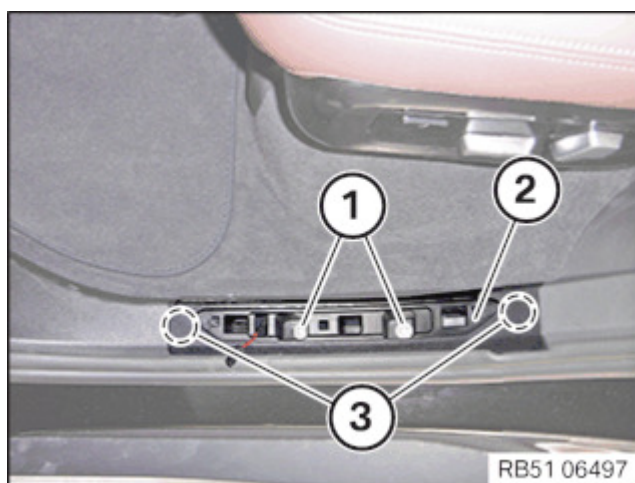
- Place special tool directly beside the mounting clip.
- Continue unclipping the part without using the tool if possible.

NOTICE

Description is for left component only. Procedure on the right side is identical.



- Retaining lugs (1) must not be missing or damaged.



- Position the rear door sill cover strip (2) on the body.
- Engage rear door sill cover strip (2) in latch mechanisms (3).
- Tighten the screws (1).

Tightening torques

Door sill cover strip to body

Bolt 4,8x16

Tightening torque

1,4Nm

► Installing illuminated sill trim on rear door sill



RISK OF DAMAGE

Bending of plastic parts.

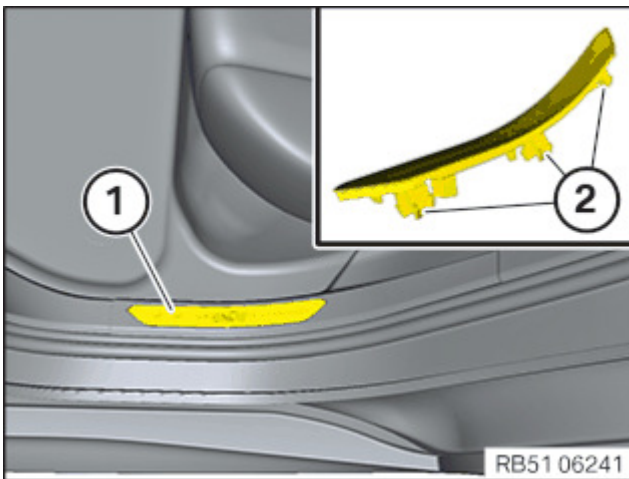
Application of too much force can lead to bending of plastic parts.

- Place special tool directly beside the mounting clip.
- Continue unclipping the part without using the tool if possible.

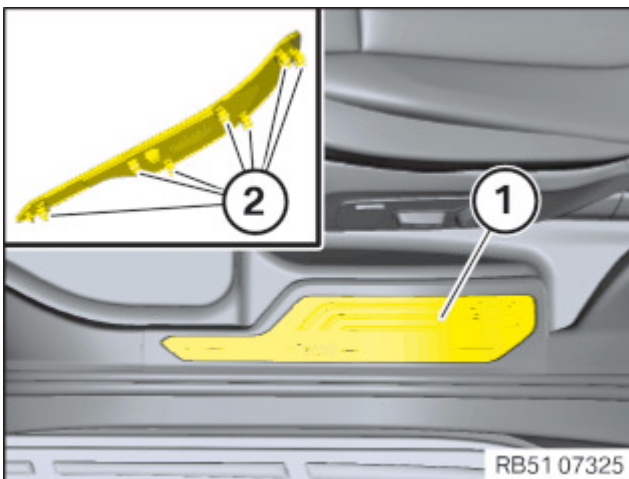


NOTICE

Description is for left component only. Procedure on the right side is identical.



- **Version A:**
- Check the latch mechanisms (2).
If latch mechanisms (2) are damaged, renew the illuminated sill trim (1).
- Install the illuminated sill trim (1) while connecting the connector.
- Position the illuminated sill trim (1) and lock it into latch mechanisms (2).



- **Version B:**
- Check the latch mechanisms (2).
If latch mechanisms (2) are damaged, renew the illuminated sill trim (1).
- Install the illuminated sill trim (1) while connecting the connector.
- Position the illuminated sill trim (1) and lock it into latch mechanisms (2).

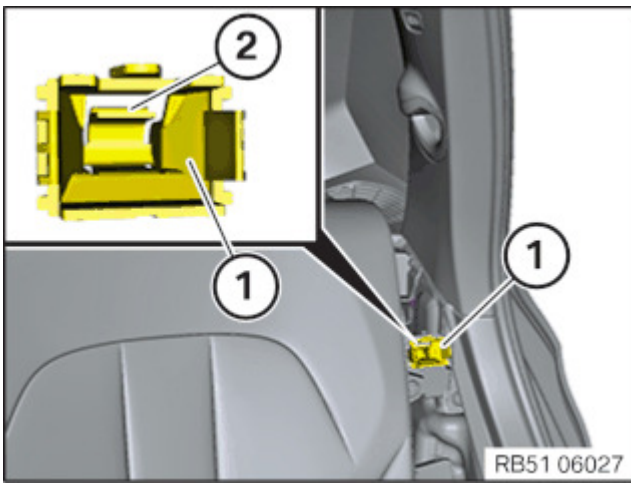


Install the backrest side section on the left and right



NOTICE

Description is for left component only. Procedure on the right side is identical.



- Release mounting element (1) from latch mechanism (2) and remove it from the body.
 - Check mounting element (1) for damage, renew if necessary.
- The mounting element must not be damaged or missing.
- Fit mounting element (1) on the backrest side section.



► **Installing backrest side section with side airbag**

⚠ WARNING

Airbag unit.

Danger! Life-threatening injuries!

- Before performing any work on the airbag, always disconnect the battery earth lead from the battery.
- Airbag unit may only be set down with the cushion (airbag itself) facing upwards.
- For additional information see: 72 00 ... Safety regulations on handling airbag system components/gas generators

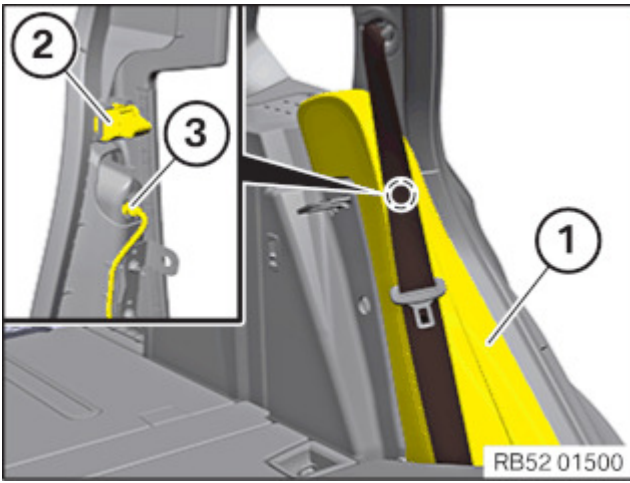
⚠ WARNING

Pyrotechnic components.

Danger! Life-threatening injuries!

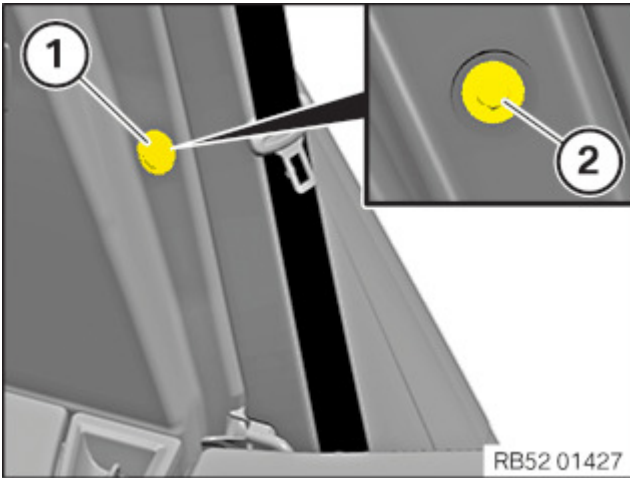
- All work on pyrotechnic parts may be carried out by technically experienced and appropriately trained personnel only.
- Replace any damaged part or ones that have been dropped.
- For additional information see: 72 00 Safety regulations on handling components with gas generators.

- Connect connector (3).



The connector must engage audibly.

- Feed backrest side section (1) into the lower guide and position it correctly.
- Clip in backrest side section (1) to mounting element (2).



- Renew the screw (2).

Parts: Screw

- Tighten down screw (2).

Tightening torques

Backrest side section on backrest lock adapter plate

Screw
Renew screw.

Tightening torque
8Nm

- Clip in the trim (1).



► Disconnecting all battery earth leads

- See additional information.



BMW Group - AIR: 2019-05-17 / 08:17

Retailer: 31044/01

Model: X5 xDrive40i

Vehicle identification number: 5UXCR6C53KL [REDACTED]

Development code: G05

Model code: CR63

Lead type: CR63

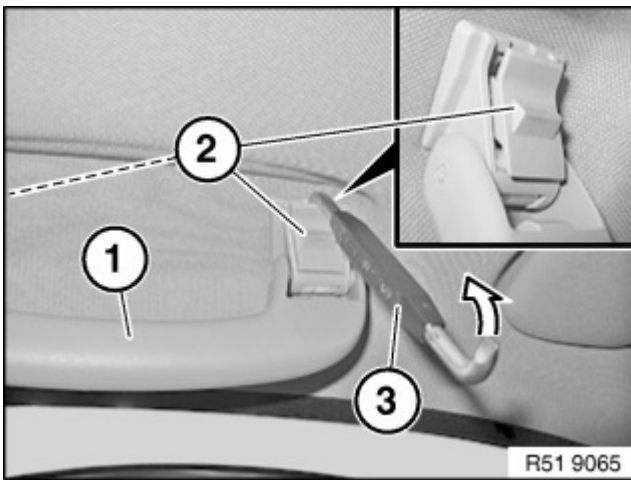
Removing and installing/replacing rear left/right grab handle »



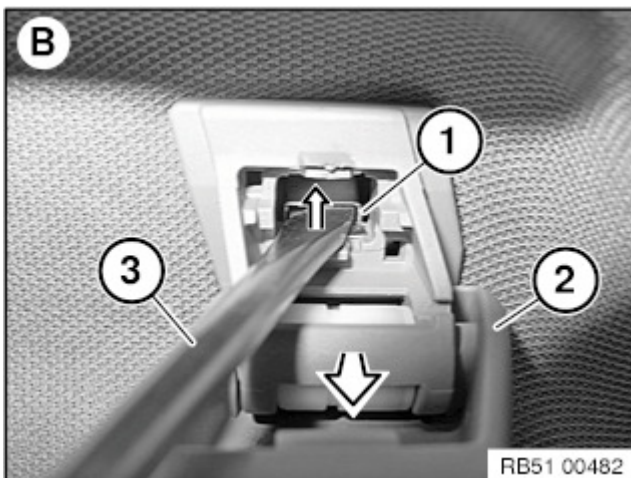
NOTICE

Description is for left component only. Procedure on the right side is identical.

Removing the grab handle



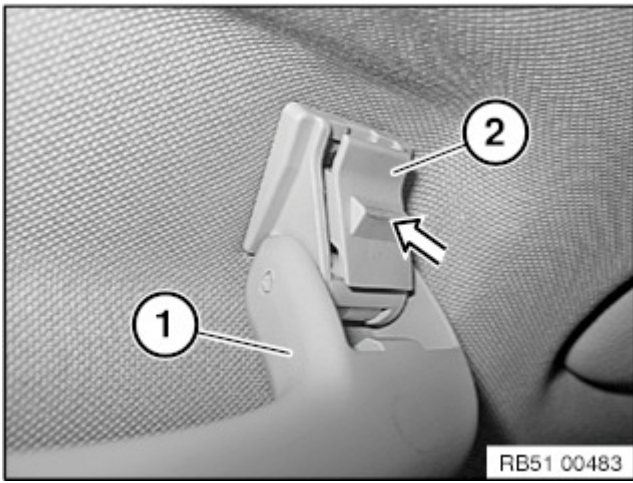
- Expand the grab handle (1) towards the bottom.
- Disengage and remove the locking insert (2) with an angle screwdriver (3) as shown.



- Pull the grab handle (2) slightly to the inside and hold it.
- Use a suitable screwdriver (3) to detach the upper and lower release tabs (1).
- Guide the grab handle (2) out.
- Repeat the operation on the other side of the grab handle (2).

Installing the grab handle

- Insert the grab handle (1) into body.



- Correctly clamp in the grab handle (1), as otherwise the locking inserts (2) on the grab handle (1) cannot correctly engage.
- Engage the locking inserts (2) on both sides of the grab handle (1).

BMW Group - AIR: 2019-05-17 / 08:19

Retailer: 31044/01

Model: X5 xDrive40i

Vehicle identification number: 5UXCR6C53KL [REDACTED]

Development code: G05

Model code: CR63

Lead type: CR63

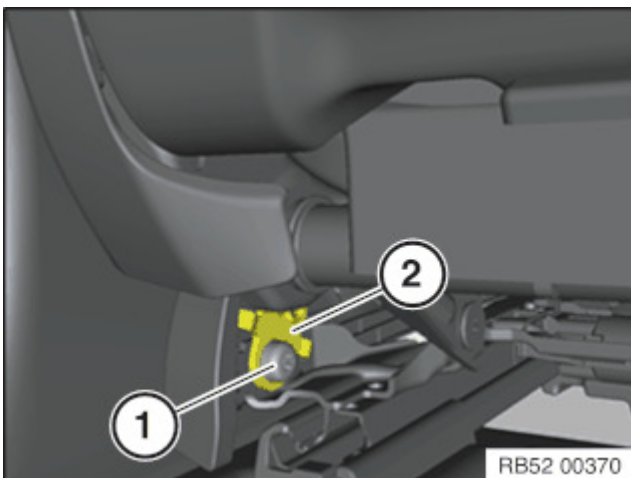
[Removing and installing/replacing trim panel for left or right door pillar \(Top\) »](#)

Remove the upper B-pillar trim panel

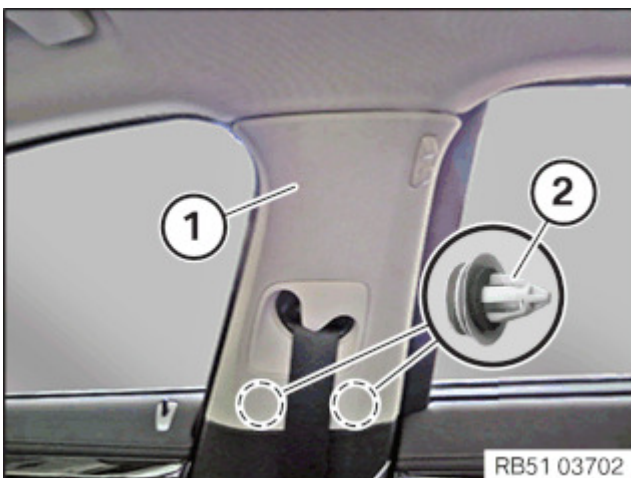


NOTICE

Description is for left component only. Procedure on the right side is identical.



- Fully position the front seat to the front and top.
- Loosen screw (1).
- Remove end fitting (2).



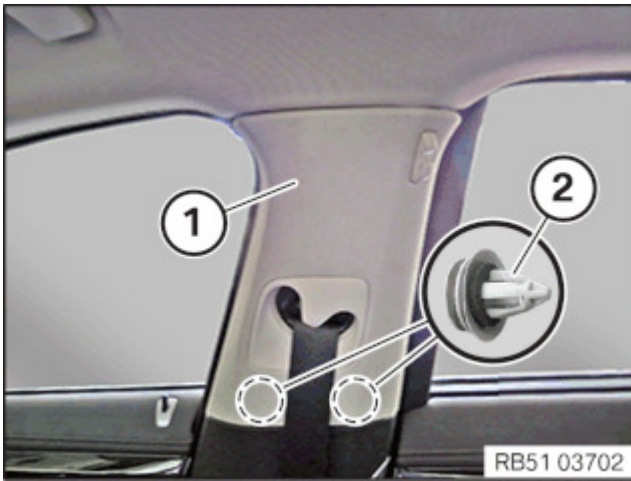
- Release the B-pillar trim panel (1) from the clips (2) and guide it downwards out of the headliner.
- Remove the B-pillar trim panel (1) and, when doing so, guide out the seat belt.

Install upper B-pillar trim panel

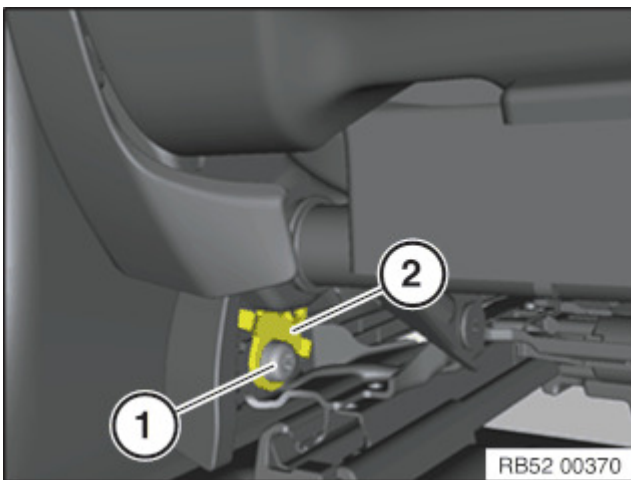


NOTICE

Description is for left component only. Procedure on the right side is identical.



- Install the B-pillar trim panel (1) and guide in the seat belt.
- Guide in the top B-pillar trim panel (1) on the headliner and clip it in with the clips (2).
- Check the B-pillar trim panel (1) for correct fit at the front and rear edge protection.



- Fully position the front seat to the front and top.
 - Insert the end fitting (2).
 - Renew the screw (1).
- Parts:** Screw
- Tighten down screw (1).

Tightening torques

End fitting to seat mechanism

M10
Renew screw.

Tightening torque
42Nm

BMW Group - AIR: 2019-05-17 / 08:20

Retailer: 31044/01

Model: X5 xDrive40i

Vehicle identification number: 5UXCR6C53KL [REDACTED]

Development code: G05

Model code: CR63

Lead type: CR63

Removing and installing/replacing trim panel for rear left or right roof pillar (C-pillar) »



NOTICE

Description is for left component only. Procedure on the right side is identical.

Remove armrest side section



► Disconnecting all battery earth leads



RB61 04141

- See additional information.



► Removing backrest side section with side airbag

⚠ WARNING

Airbag unit.

Danger! Life-threatening injuries!

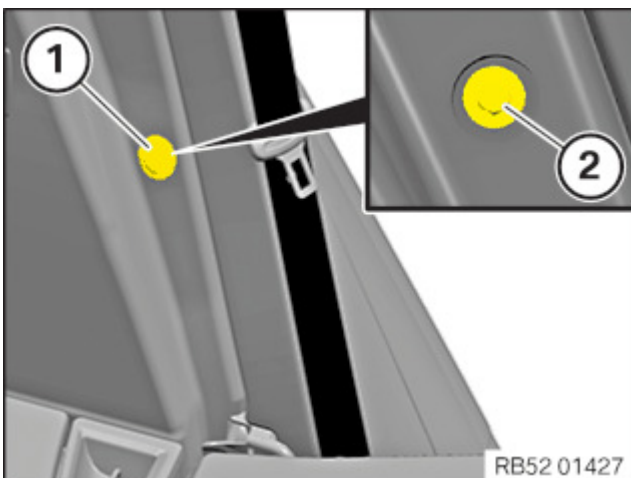
- Before performing any work on the airbag, always disconnect the battery earth lead from the battery.
- Airbag unit may only be set down with the cushion (airbag itself) facing upwards.
- For additional information see: 72 00 ... Safety regulations on handling airbag system components/gas generators

⚠ WARNING

Pyrotechnic components.

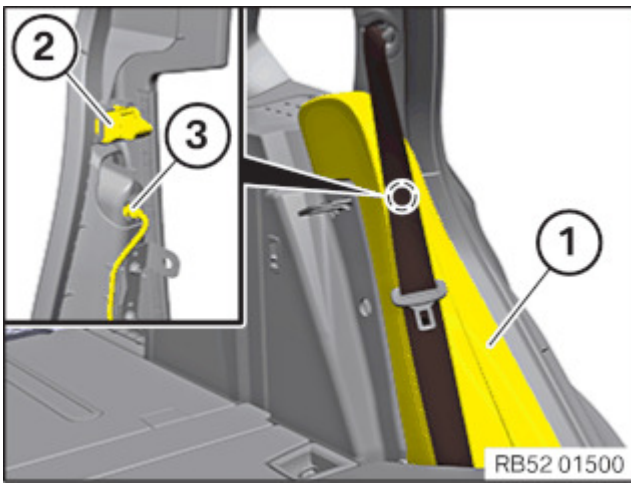
Danger! Life-threatening injuries!

- All work on pyrotechnic parts may be carried out by technically experienced and appropriately trained personnel only.
- Replace any damaged part or ones that have been dropped.
- For additional information see: 72 00 Safety regulations on handling components with gas generators.



- Release trim (1).
- Loosen screw (2).

- Reach behind backrest side section (1) from above and unclip it forwards from mounting element (2).
- Unlock plug connection (3) and disconnect.
- Remove backrest side section (1) upwards from the guide.

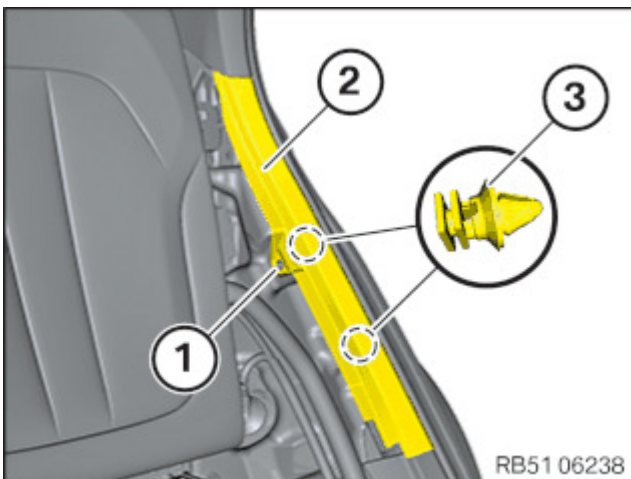


Remove the bottom C-pillar trim panel



NOTICE

Description is for left component only. Procedure on the right side is identical.



- Loosen screw (1).
- Unclip C-pillar trim panel (2) from the clips (3).
- Thread out the C-pillar trim panel (2) from the door sill cover strip and remove.

Removing rear door sill cover strip (with an electrical rear seat)

► Removing illuminated sill trim on rear sill trim



RISK OF DAMAGE

Bending of plastic parts.

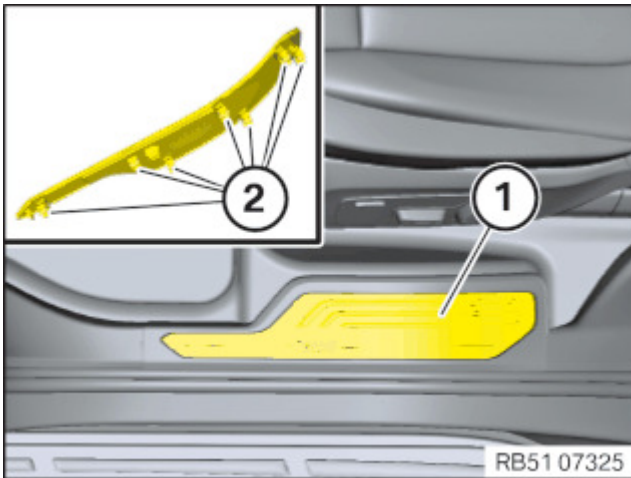
Application of too much force can lead to bending of plastic parts.

- Place special tool directly beside the mounting clip.
- Continue unclipping the part without using the tool if possible.

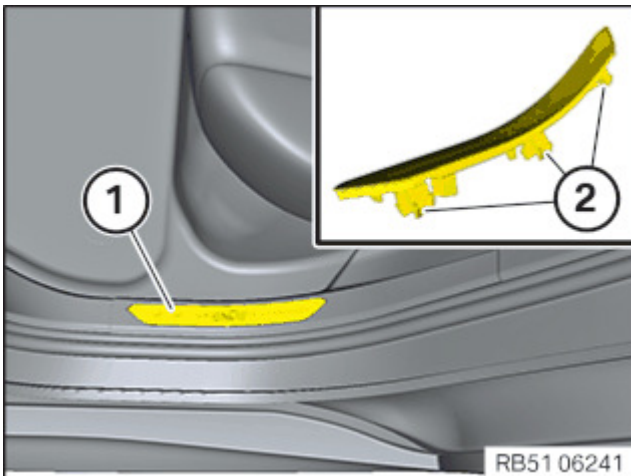


NOTICE

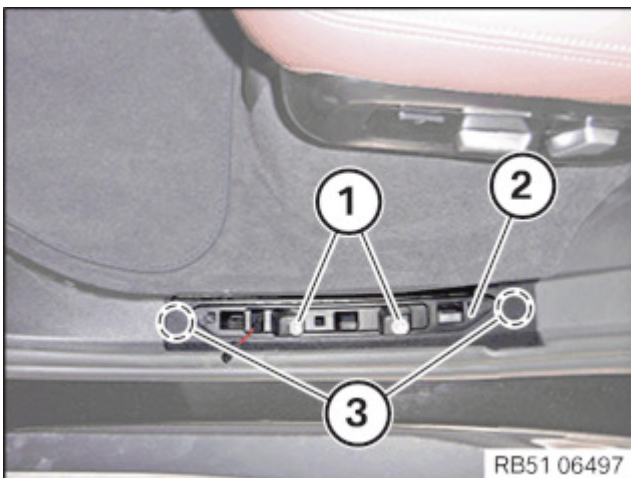
Description is for left component only. Procedure on the right side is identical.



- **Version A:**
- Lever the illuminated sill trim (1) upwards out of latch mechanisms (2) using a suitable tool.
- Disconnect the plug connection and remove the illuminated sill trim (1).



- **Version B:**
- Lever the illuminated sill trim (1) upwards out of latch mechanisms (2) using a suitable tool.
- Disconnect the plug connection and remove the illuminated sill trim (1).



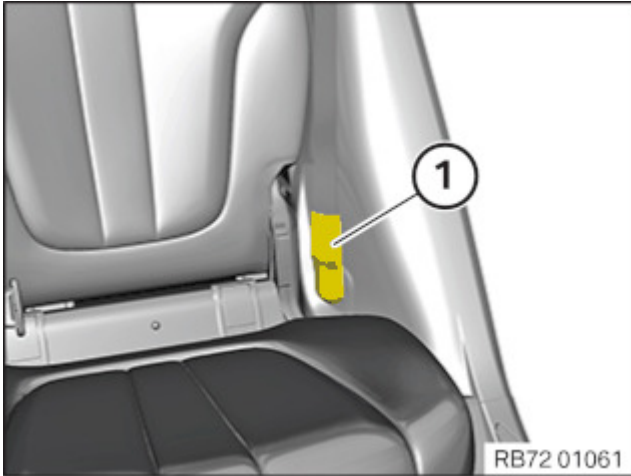
- Loosen screws (1).
- Release and remove the rear door sill cover strip (2) with the special tool **0 496 569 (00 9 325)** upwards at the latch mechanisms (3).

Removing bottom left C-pillar trim panel (3rd row of seats)

► Remove rear left end fitting at body below (3rd row of seats)

Prerequisite

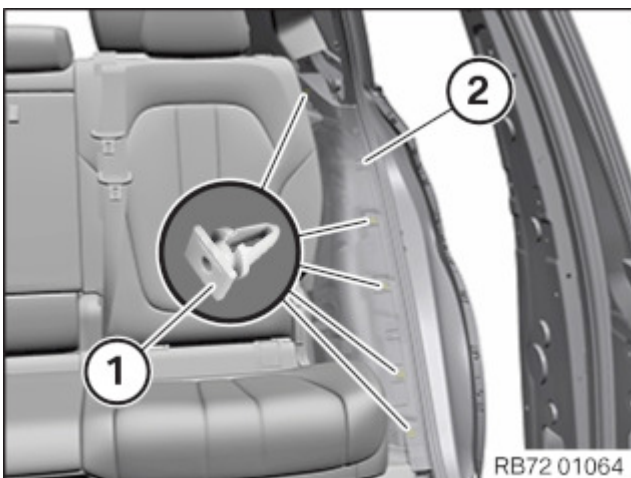
Move the 2nd row of seats fully to the front.



- Unclip rubber cover (1).



- Loosen screw (1).



- Unclip bottom C-pillar trim panel (2) from clips (1).
- Remove the C-pillar trim panel (2).

Remove C-pillar trim panel

⚠ WARNING

Airbag unit.

Danger! Life-threatening injuries!

- Before performing any work on the airbag, always disconnect the battery earth lead from the battery.
- Airbag unit may only be set down with the cushion (airbag itself) facing upwards.
- For additional information see: 72 00 ... Safety regulations on handling airbag system components/gas generators

⚠ WARNING

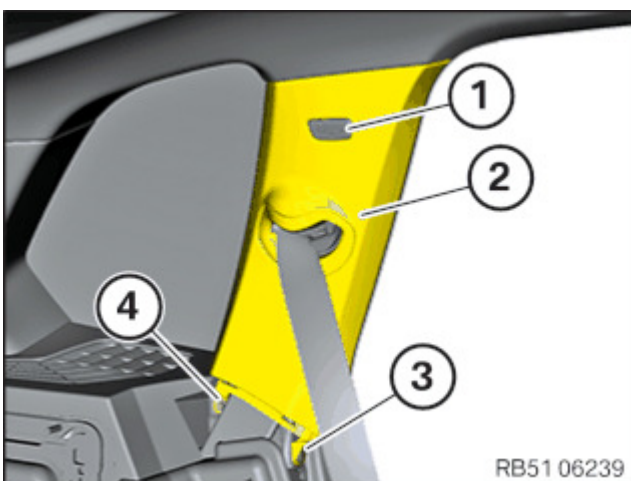
Pyrotechnic components.

Danger! Life-threatening injuries!

- All work on pyrotechnic parts may be carried out by technically experienced and appropriately trained personnel only.
- Replace any damaged part or ones that have been dropped.
- For additional information see: 72 00 Safety regulations on handling components with gas generators.

📄 NOTICE

Description is for left component only. Procedure on the right side is identical.



- Lever out the cover (1) from the C-pillar trim panel (2) with a suitable tool.
- Release screw below it.
- Loosen expanding rivet (3).
- Loosen screw (4).
- Guide out C-pillar trim panel (2) upwards and remove it.

Installing C-pillar trim panel

⚠ WARNING

Airbag unit.

Danger! Life-threatening injuries!

- Before performing any work on the airbag, always disconnect the battery earth lead from the battery.
- Airbag unit may only be set down with the cushion (airbag itself) facing upwards.
- For additional information see: 72 00 ... Safety regulations on handling airbag system components/gas generators

⚠ WARNING

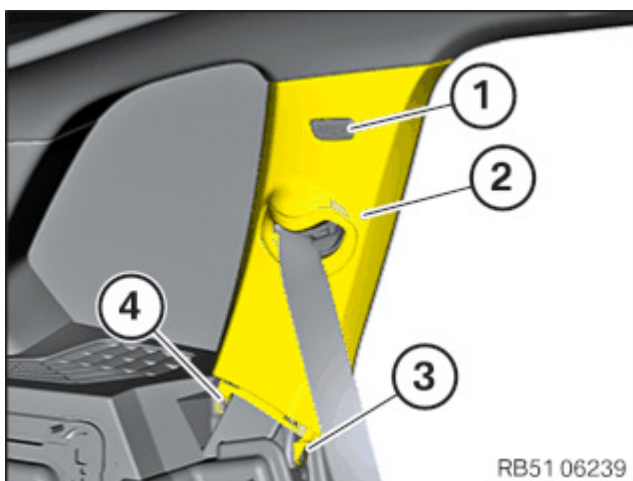
Pyrotechnic components.

Danger! Life-threatening injuries!

- All work on pyrotechnic parts may be carried out by technically experienced and appropriately trained personnel only.
- Replace any damaged part or ones that have been dropped.
- For additional information see: 72 00 Safety regulations on handling components with gas generators.

📄 NOTICE

Description is for left component only. Procedure on the right side is identical.



- Guide in and install C-pillar trim panel (2).
- Tighten down screw (4).

Tightening torques

C-pillar trim panel to body

Bolt 4,8x19

Tightening torque
3,0Nm

- Install the expanding rivet (3).
- Tighten screw and mount cover (1).

Tightening torques

Body pillar trim

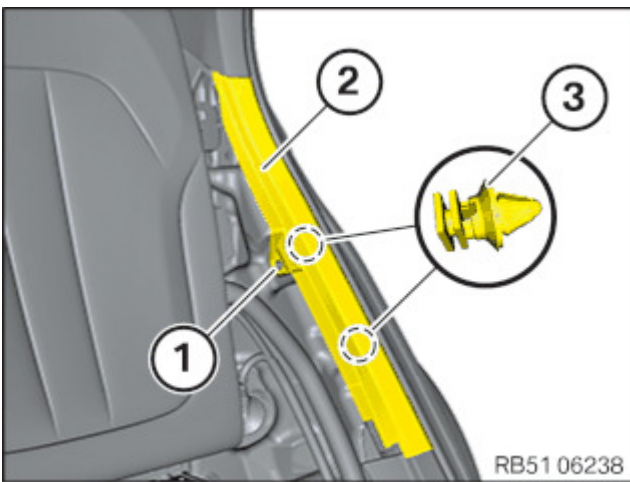
Bolt 4,8x38

Tightening torque
3,0Nm

Install the bottom C-pillar trim panel

NOTICE

Description is for left component only. Procedure on the right side is identical.



- Guide C-pillar trim panel (2) into the door sill cover strip and position it correctly.
- Clip C-pillar trim panel (2) into clips (3).
- Tighten down screw (1).

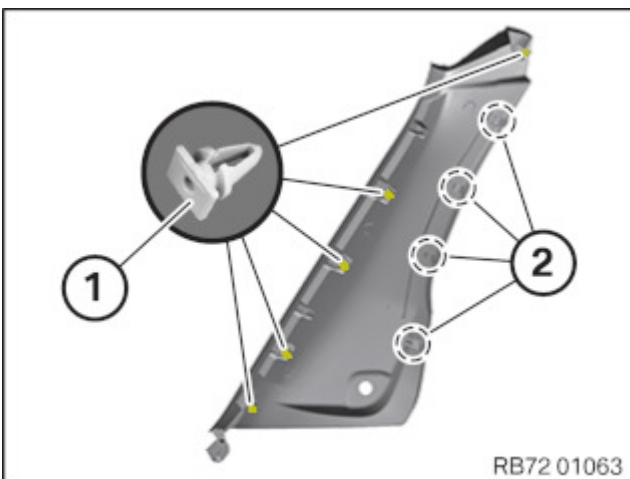
Tightening torques

Bottom C-pillar trim panel to body

Bolt 4,8x16

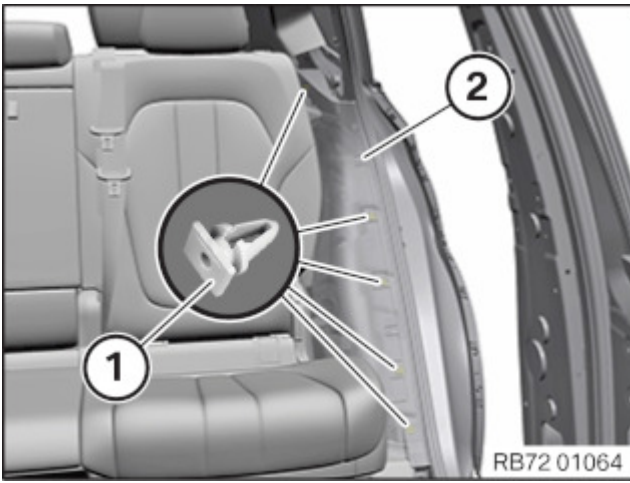
Tightening torque
1,4Nm

Installing lower left C-pillar trim panel (3rd row of seats)



- Check the clips (1) for damage and renew where required.
- Check guide pin (2) for damage, renew the C-pillar trim panel if required.

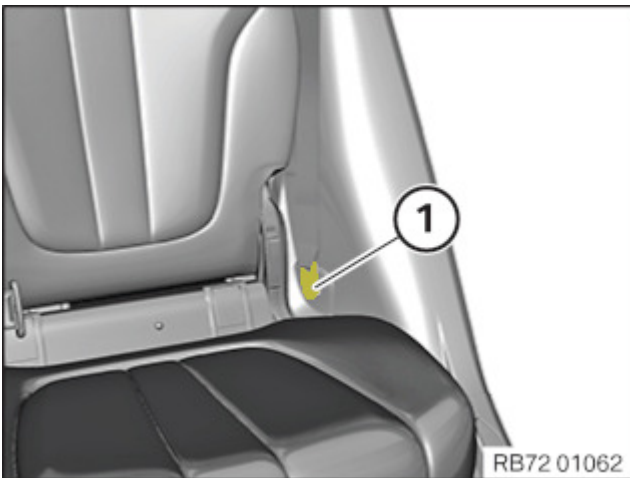
- Position C-pillar trim panel (2) and clip it onto the clips (1).



► Installing rear left end fitting on the body (3rd row of seats)

Prerequisite

The 2nd row of seats is adjusted fully to the front.



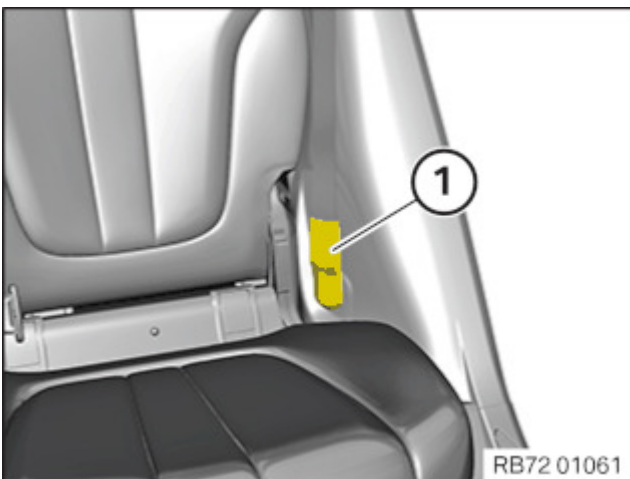
- Tighten down screw (1).

Tightening torques

End fitting on body, bottom

Screw

Tightening torque
42Nm



- Clip in rubber cover (1).



Installing rear door sill cover strip (with an electrical rear seat)

RISK OF DAMAGE

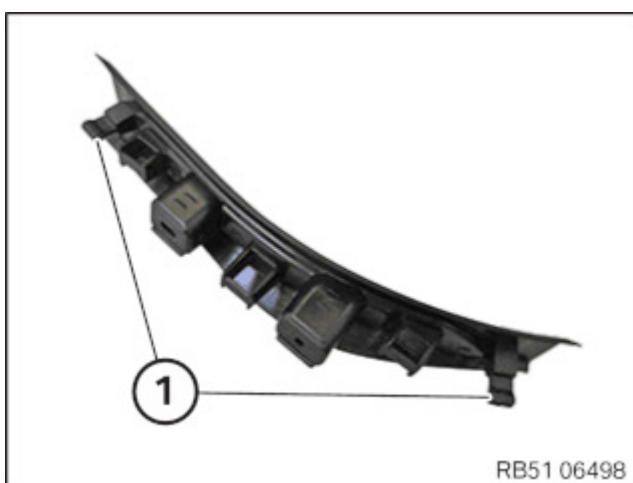
Bending of plastic parts.

Application of too much force can lead to bending of plastic parts.

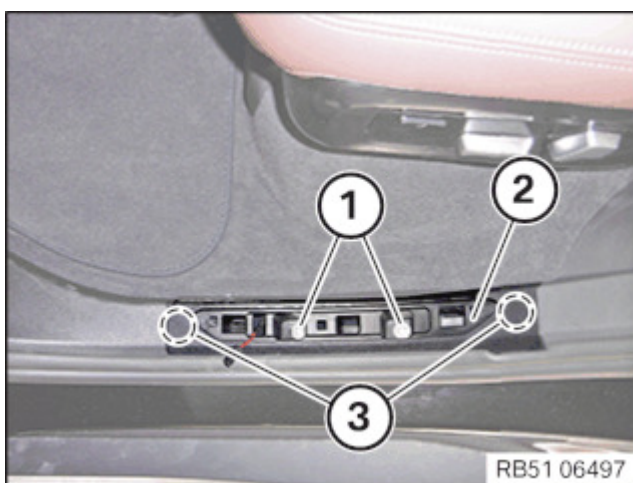
- Place special tool directly beside the mounting clip.
- Continue unclipping the part without using the tool if possible.

NOTICE

Description is for left component only. Procedure on the right side is identical.



- Retaining lugs (1) must not be missing or damaged.



- Position the rear door sill cover strip (2) on the body.
- Engage rear door sill cover strip (2) in latch mechanisms (3).
- Tighten the screws (1).

Tightening torques

Door sill cover strip to body

Bolt 4,8x16

Tightening torque

1,4Nm

► Installing illuminated sill trim on rear door sill



RISK OF DAMAGE

Bending of plastic parts.

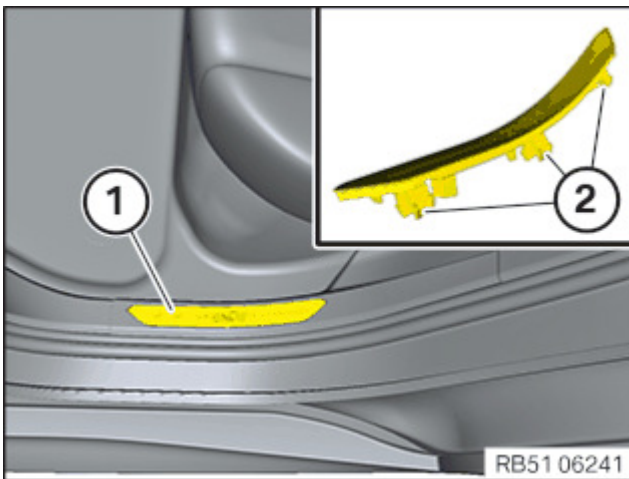
Application of too much force can lead to bending of plastic parts.

- Place special tool directly beside the mounting clip.
- Continue unclipping the part without using the tool if possible.

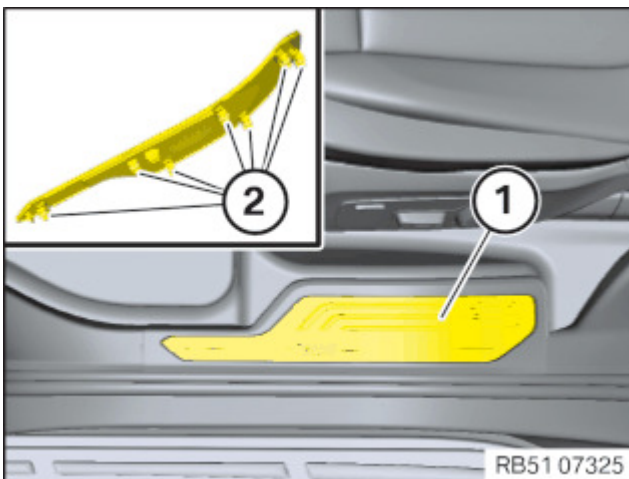


NOTICE

Description is for left component only. Procedure on the right side is identical.



- **Version A:**
- Check the latch mechanisms (2).
If latch mechanisms (2) are damaged, renew the illuminated sill trim (1).
- Install the illuminated sill trim (1) while connecting the connector.
- Position the illuminated sill trim (1) and lock it into latch mechanisms (2).

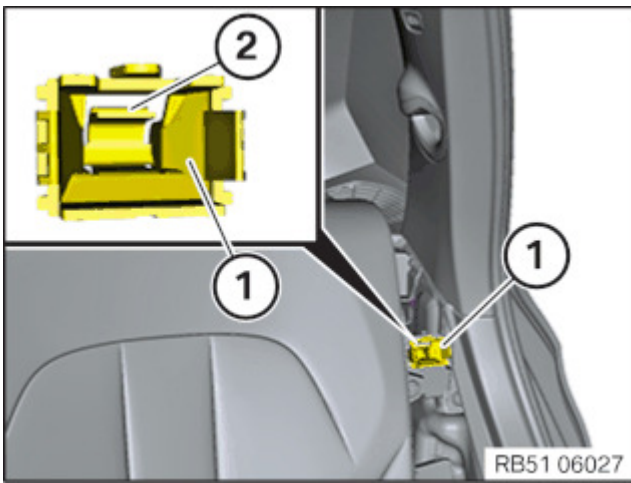


- **Version B:**
- Check the latch mechanisms (2).
If latch mechanisms (2) are damaged, renew the illuminated sill trim (1).
- Install the illuminated sill trim (1) while connecting the connector.
- Position the illuminated sill trim (1) and lock it into latch mechanisms (2).



Installing backrest side section

- Release mounting element (1) from latch mechanism (2) and remove it from the body.
- Check mounting element (1).
It must not be damaged or missing.



- Fit mounting element (1) on the backrest side section.



- ▶ Installing backrest side section with side airbag

WARNING

Airbag unit.

Danger! Life-threatening injuries!

- Before performing any work on the airbag, always disconnect the battery earth lead from the battery.
- Airbag unit may only be set down with the cushion (airbag itself) facing upwards.
- For additional information see: 72 00 ... Safety regulations on handling airbag system components/gas generators

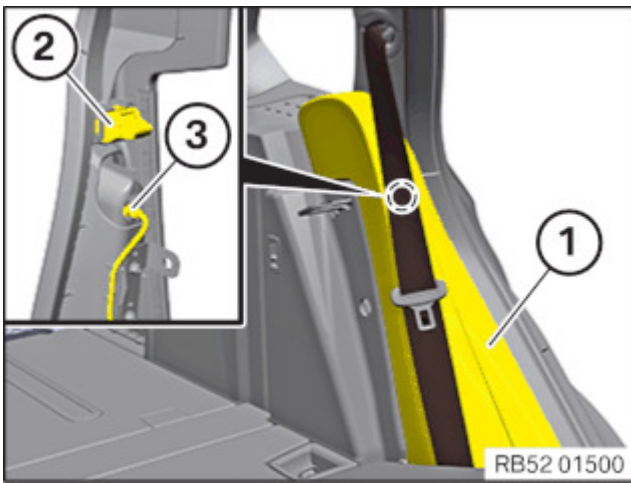
WARNING

Pyrotechnic components.

Danger! Life-threatening injuries!

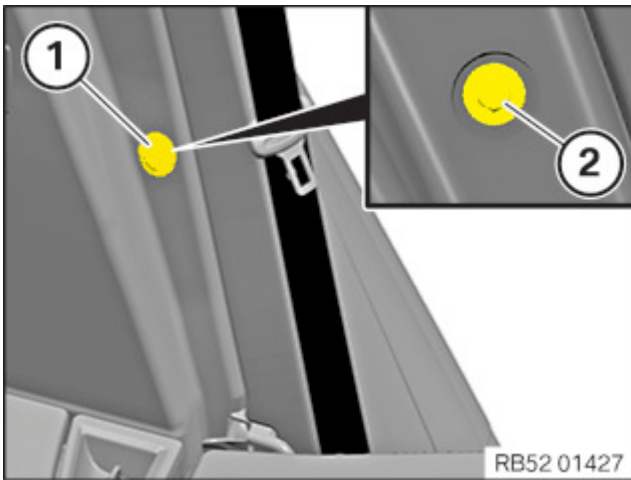
- All work on pyrotechnic parts may be carried out by technically experienced and appropriately trained personnel only.
- Replace any damaged part or ones that have been dropped.
- For additional information see: 72 00 Safety regulations on handling components with gas generators.

- Connect connector (3).



The connector must engage audibly.

- Feed backrest side section (1) into the lower guide and position it correctly.
- Clip in backrest side section (1) to mounting element (2).



- Renew the screw (2).

Parts: Screw

- Tighten down screw (2).

Tightening torques

Backrest side section on backrest lock adapter plate

Screw
Renew screw.

Tightening torque
8Nm

- Clip in the trim (1).



▶ Disconnecting all battery earth leads

- See additional information.



Safety Recall 19V-xyz
Head Air Bag
Model Year 2019-2020
BMW X7 SAV
Last Update: 05/16/2019

Q1. Which BMW models in the US are potentially affected by this Safety Recall?

Approximately 1,820 Model Year 2019-2020 BMW X7 SAVs in the US, produced between Nov 2018 and Apr 2019, are potentially affected.

Q2. What is the specific issue?

The head air bag may not have been installed according to specifications.

Q3. What can happen as a result of this issue?

In a crash of sufficient severity, head air bag deployment may be impaired, which could increase the risk of injury.

Q4. Why are other models / vehicles not included in this Safety Recall?

For other models / vehicles, the head air bag was installed according to specifications.

Q5. Can I continue to drive my vehicle?

Yes. However, when you receive a letter requesting you to make an appointment to have this Safety Recall performed by an authorized BMW center, please do so as soon as possible. If you are not the only driver of this vehicle, please advise all other drivers of this important information.

Q6. Can I determine if this issue exists in my vehicle?

No. This can only be determined through proper inspection at an authorized BMW center.

Q7. How did BMW become aware of the issue?

BMW became aware of the issue through our quality control procedures.

Q8. How will I be informed of this Safety Recall?

You will receive a letter in July via First Class mail advising you of this Safety Recall and requesting you to schedule an appointment with an authorized BMW center to have this Safety Recall performed. You can locate your nearest authorized BMW center at www.bmwusa.com/dealers.

To ensure BMW has the most recent contact and vehicle information, owners should register their vehicle at www.bmwusa.com/myBMW. Registration is free, and will give them access to factory initiated campaigns and other information specific to their BMW.

Q9. How will my vehicle be repaired?

The head air bag will be inspected and installed according to specifications.

Q10. How long will the repair take?

This repair should take approximately one hour; however, additional time may be required depending upon your BMW center's schedule. The repair will be performed **for free** by your authorized BMW center.

Q11. Do I have to wait for my letter to have my vehicle serviced?

Yes. We are in the process of implementing this Safety Recall to ensure that the necessary parts, tools, and procedures are available, prior to contacting you to schedule your vehicle to have this Safety Recall performed. For the latest updates to this recall, please visit www.bmwusa.com/recall.