



Volvo Car Customer Service

QB Instruction VCC-506237-5

Title	Recall 29936 Coolant Bleeder Hose Replacement (Engine Side)	Page	1 (12)
Action	Replacement	Operation number:	97544-2

Issue	Date	Reason
1	2019-04	First issue

Affected vehicles

Model year	Model	Engine
2016	XC90 (16-)	B4204T28

Materials

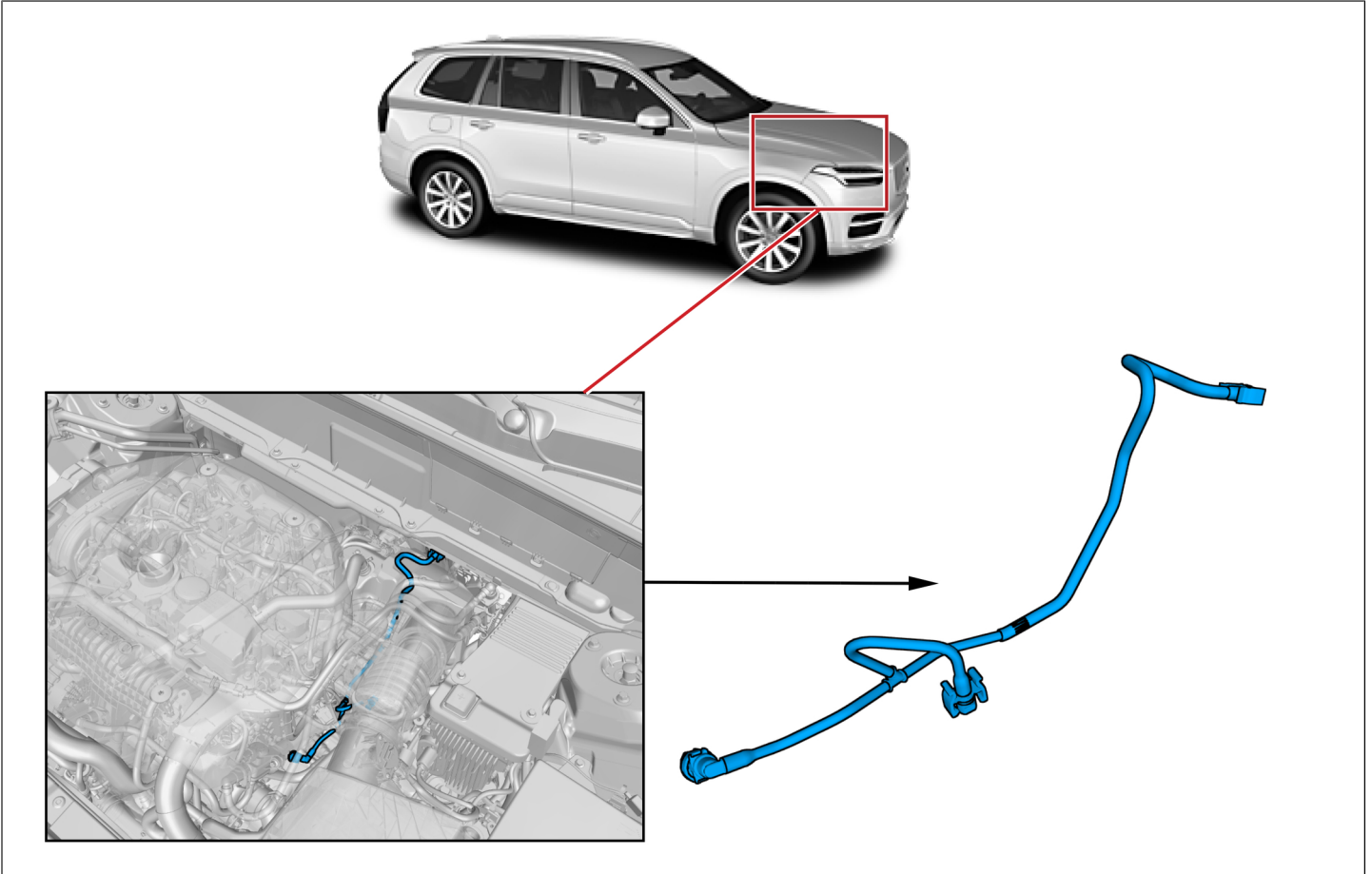
Materials	Qty.	Part No.	Notes
Water	1.0		
Coolant	1.5	31439821	US/ CA Only
Bleeder hose	1.0	32252299	

Special tools

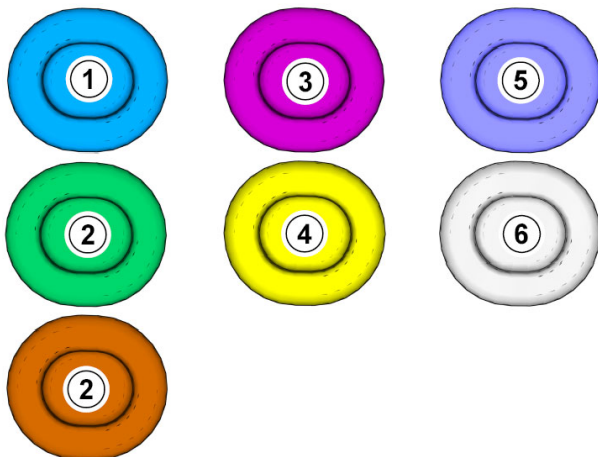
Description	Part No.
LEAK DETECTOR	981 4118
Cover	951 2955
ENGINE COOLANT SYSTEM - PRESSURE TESTER	998 5496

Removal

Note! Removal steps in this procedure may contain installation details.



Color symbols



Note! This colour chart displays (in colour print and electronic version) the importance of the different colours used in the images of the method steps.

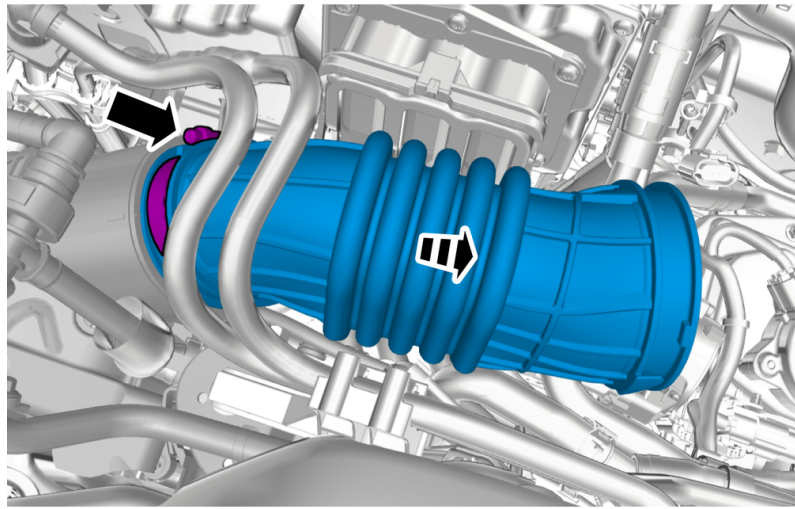
- 1 . Used for focused component, the component with which you will do something.
- 2 . Used as extra colors when you need to show or differentiate additional parts.
- 3 . Used for attachments that are to be removed/installed. May be screws, clips, connectors, etc.
- 4 . Used when the component is not fully removed from the vehicle but only hung to the side.
- 5 . Used for standard tools and special tools.
- 6 . Used as background color for vehicle components.

Drain cooling system, draining, filling, and bleeding , refer to:

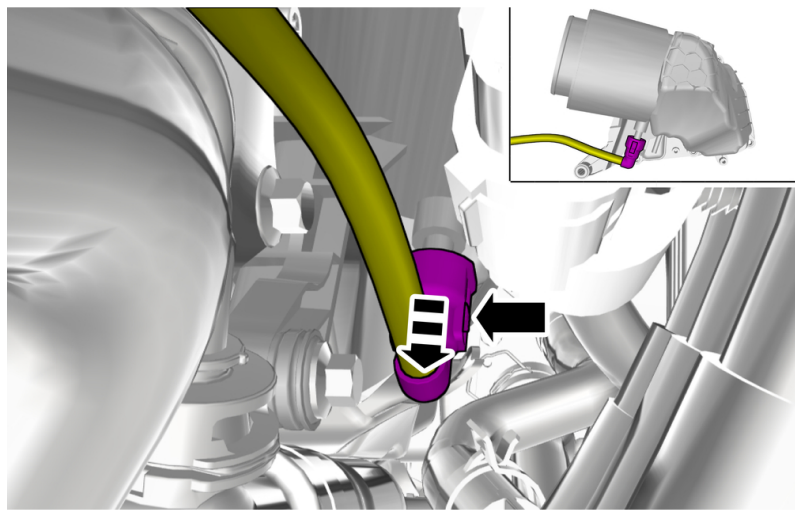
- Cleaning, Inspection and Adjustment
- 2 - Engine with mountings and equipment
- 26 - Cooling system
- 261 - radiator and connections

Remove Inverter Generator Module (IGM) , refer to:

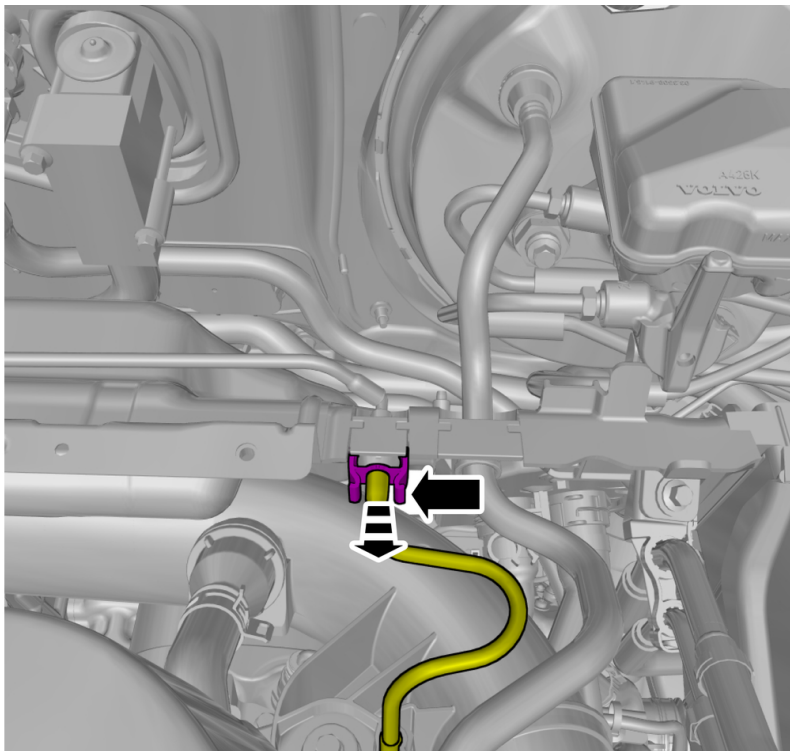
- Removal, replacement and installation
- 3 - Electrical system
- 32 - Alternator and regulator
- 323 - electric converter, high voltage



Loosen the hose clamp.
Remove the marked part.

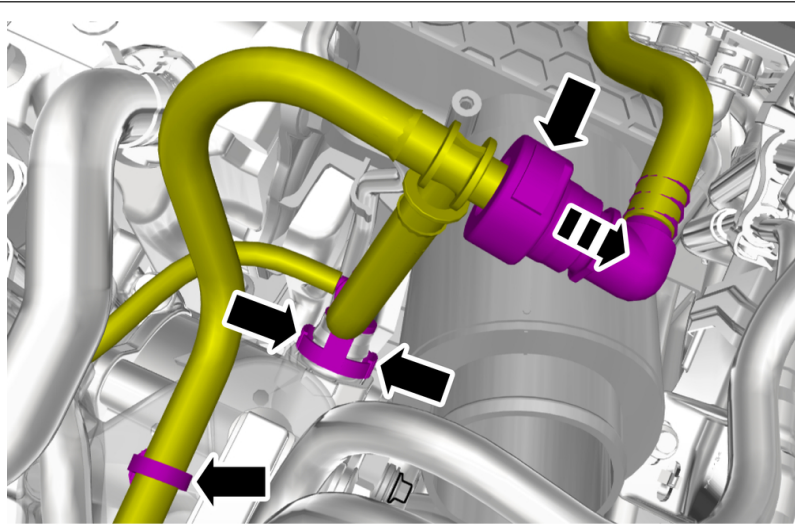


Release the locks.
Undo the hose from the connection.
Fold marked part aside.

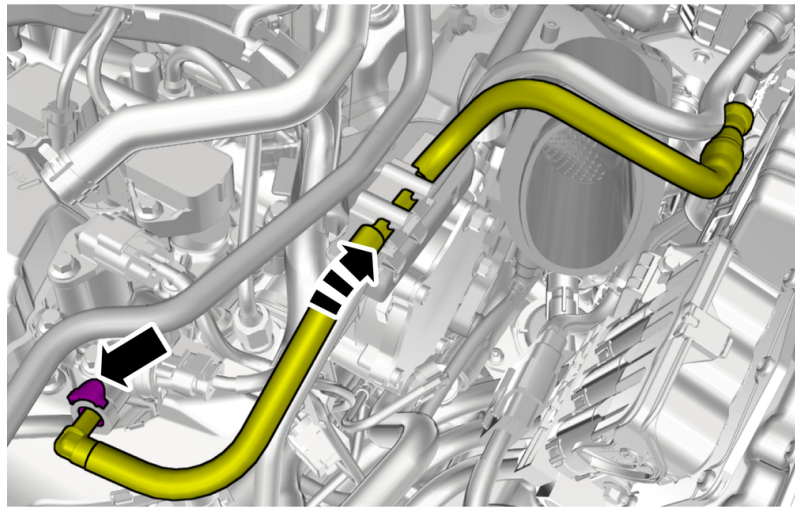


Warning! Be prepared to collect escaping fluid.

Release the locks.
Undo the hose from the connection.

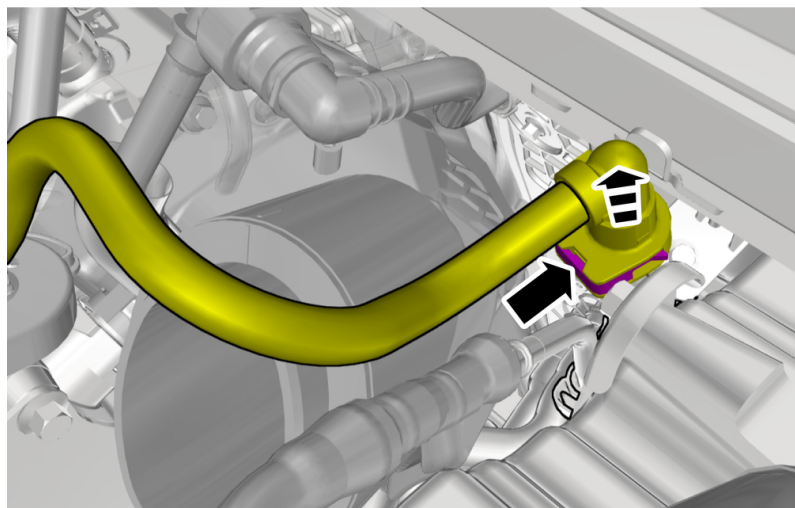


Release the locks.
Undo the hoses from the connections.
Fold marked part aside.

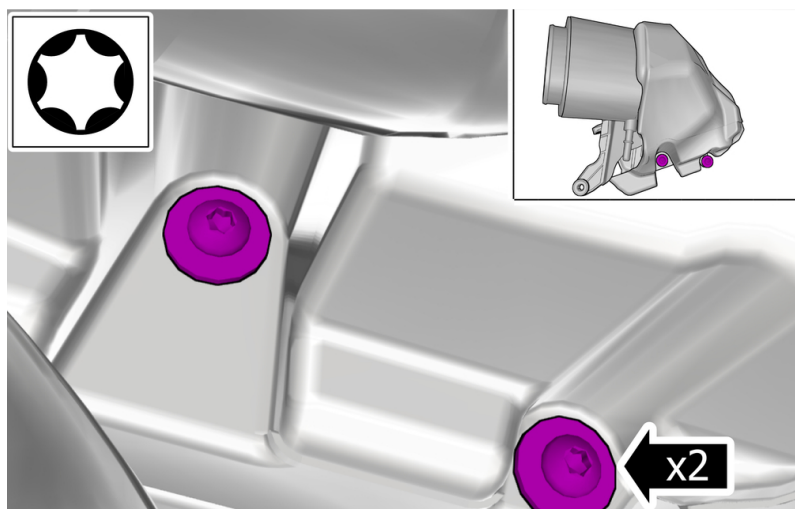


Warning! Be prepared to collect escaping fluid.

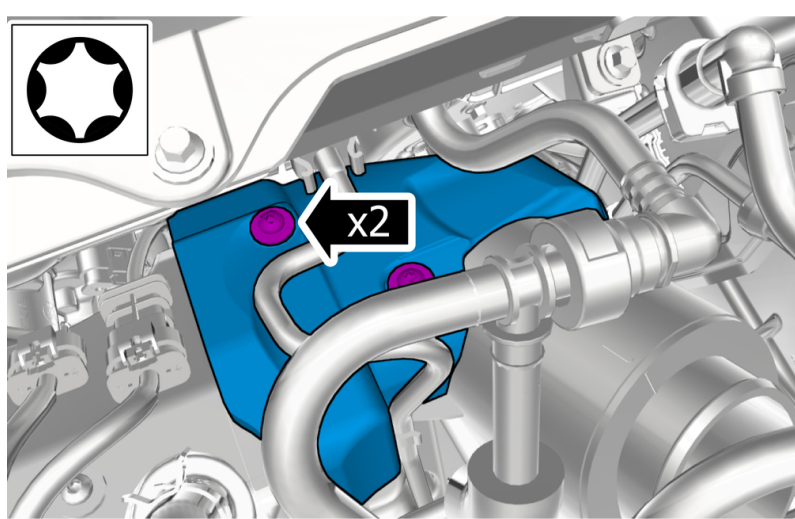
Release the lock.
Undo the hose from the connection.
Fold marked part aside.



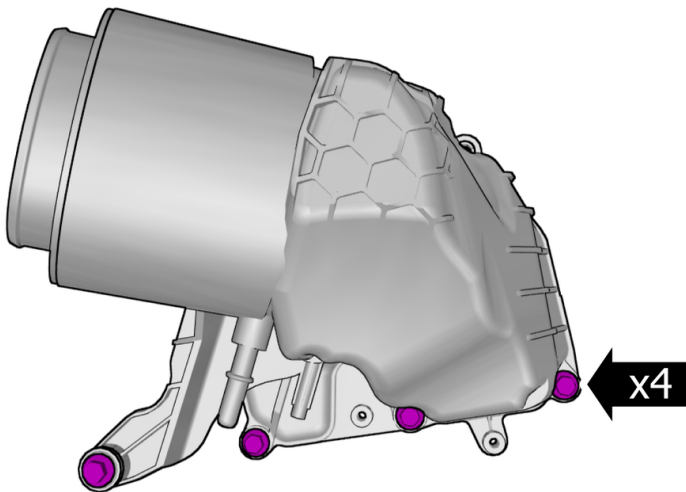
Release the lock.
Undo the hose from the connection.
Fold marked part aside.



Note! The screws may be difficult to access.
Remove the screws.



Remove the screws.
Remove the marked part.

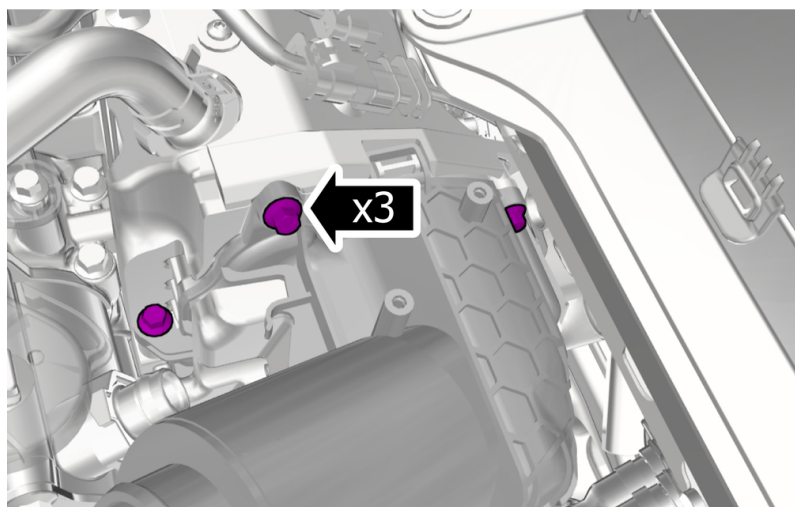


Note! The screws may be difficult to access.

Remove the screws.

Torque:

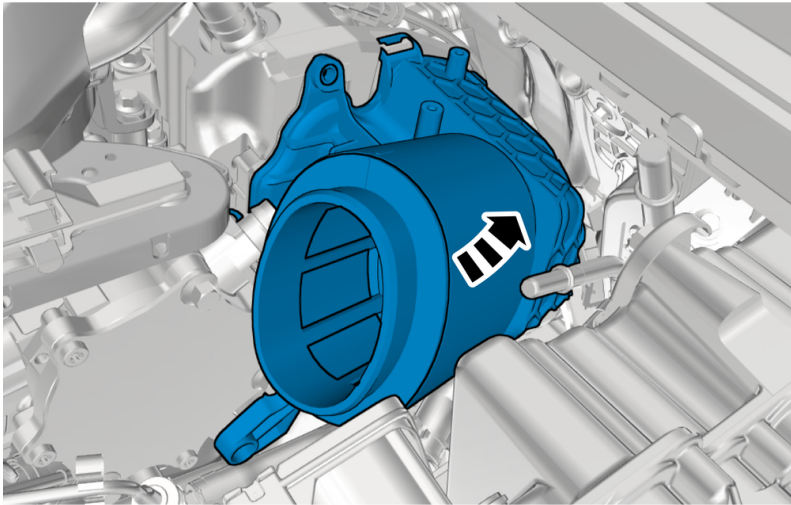
M6 , 10 Nm



Remove the screws.

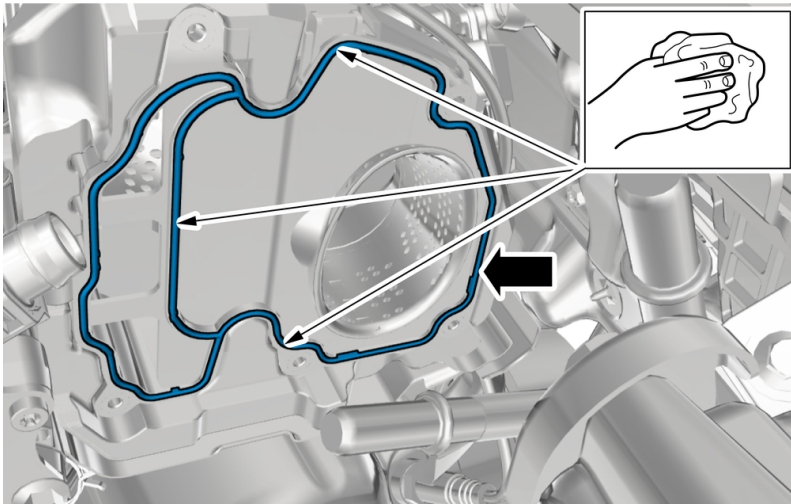
Torque:

M6 , 10 Nm



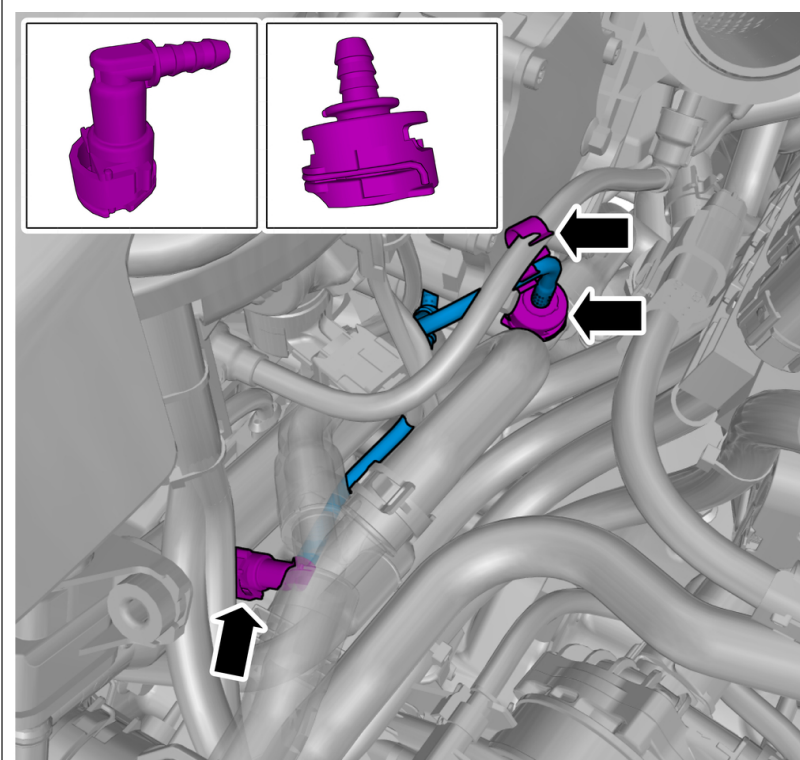
Remove the marked part.

Hint: It may be necessary to twist or turn the component.



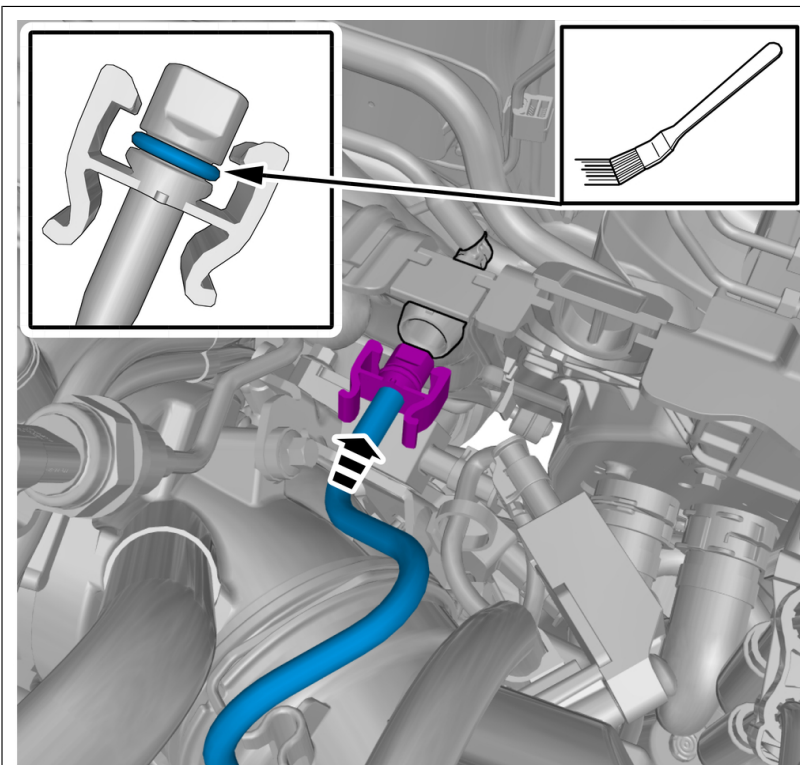
Caution! Make sure that the surface is clean and free of foreign material.

Note! Make sure that the seal is correctly located.



Release the locks.
 Undo the hoses from the connections.
 Remove the marked part.

Installation



Caution! Only use the specified material to lubricate the seals.

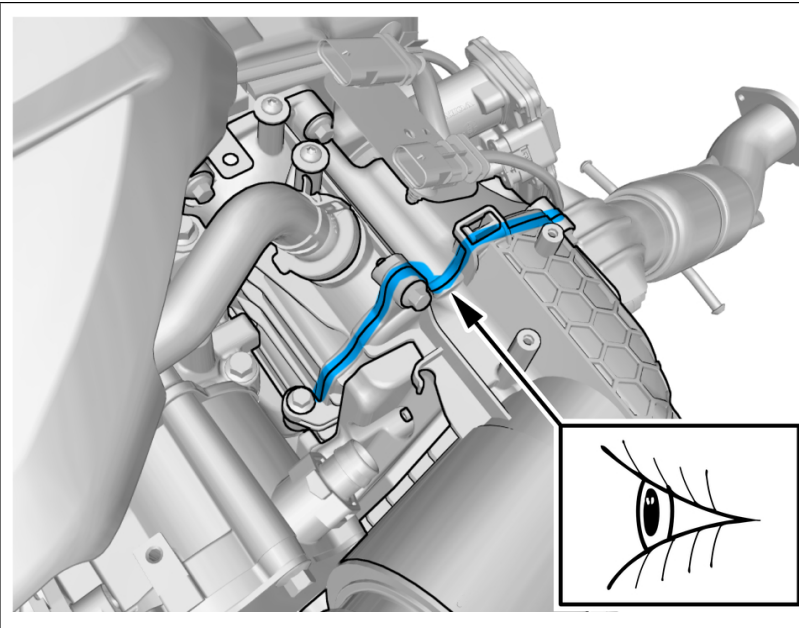
Install the hose.

Use: Water ,

To install, reverse the removal procedure.

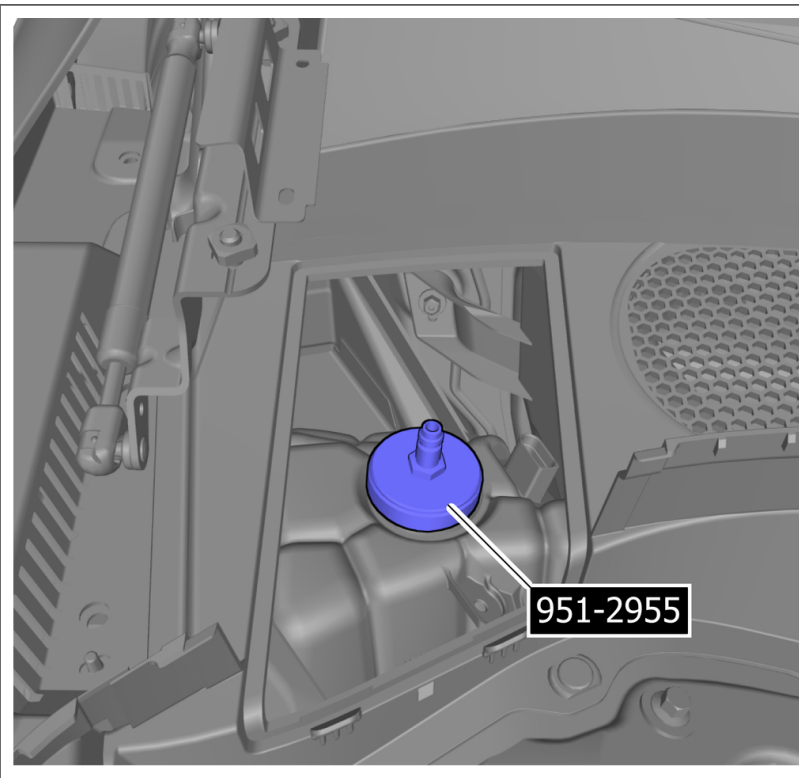
Fill cooling system, draining, filling, and bleeding , refer to:
 Cleaning, Inspection and Adjustment
 2 - Engine with mountings and equipment
 26 - Cooling system
 261 - radiator and connections

Check

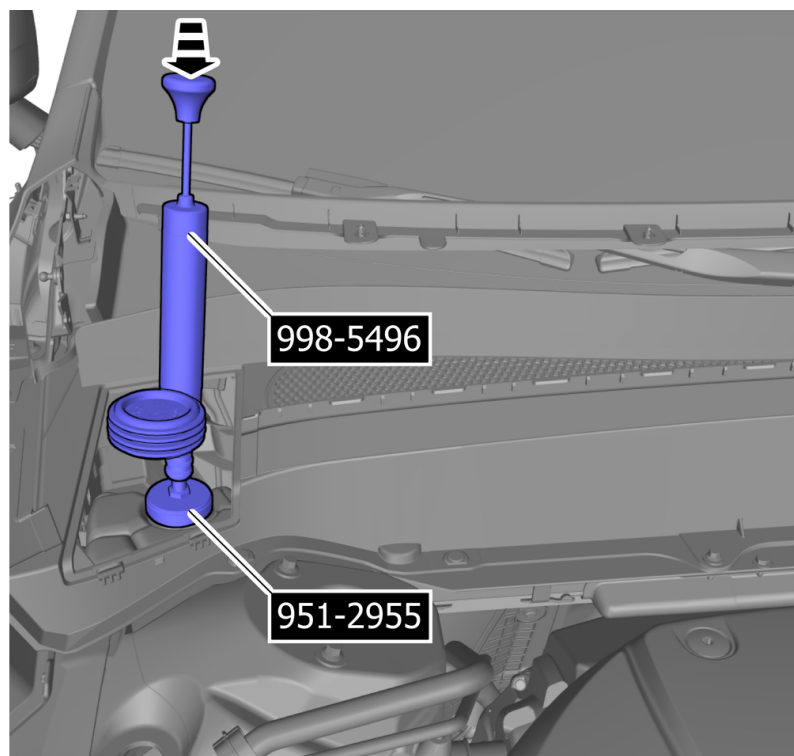


Note! Always follow the manufacturer's instructions when handling the equipment.

Special Tool: T9814118, LEAK DETECTOR
 Check the component for leaks.

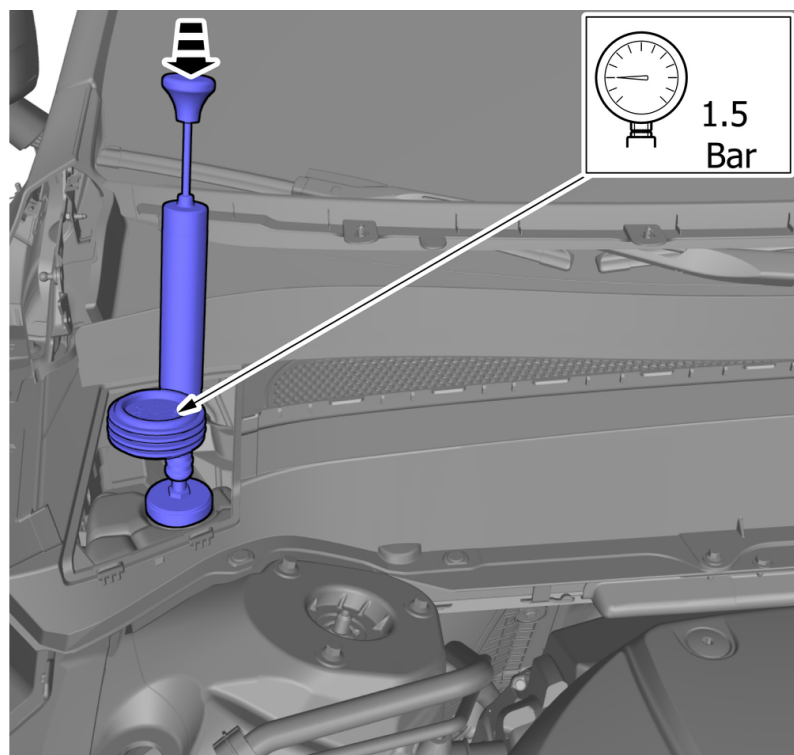


Special Tool: T9512955, Cover

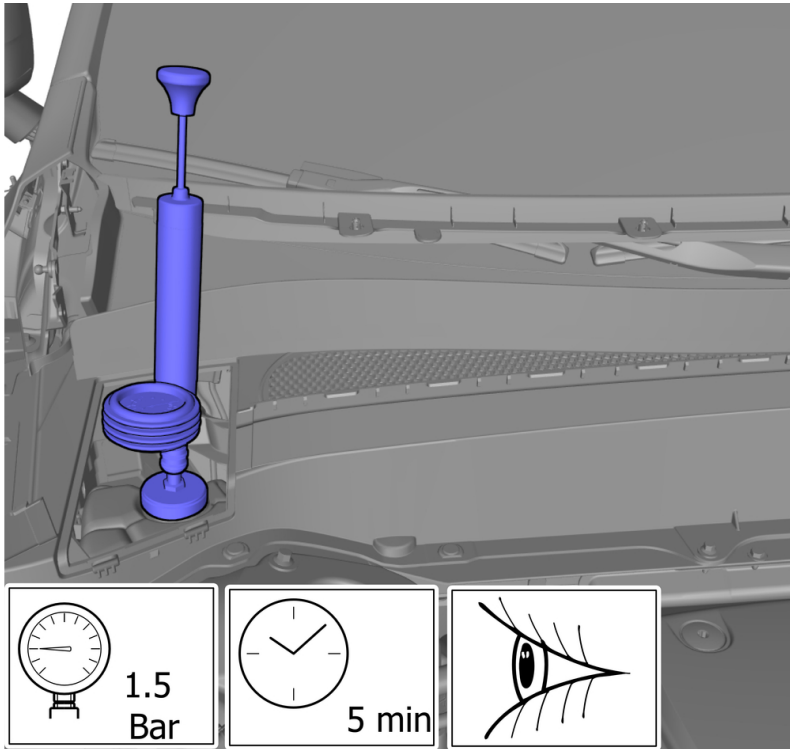


Special Tool: T9985496, ENGINE COOLANT SYSTEM - PRESSURE TESTER

Special Tool: T9512955, Cover



Caution! Make sure that the system pressure is within specification.



Note! Ensure not to undercut the time specified in the image.

Check the cooling system for leaks.