

March 15, 2019

Version 4

Safety Recall: Driver's Airbag Replacement Inflator Can Be Over-Pressurized

Supersedes 19-030, dated March 9, 2019, to update the information highlighted in **yellow**.

AFFECTED VEHICLES

Year	Model	Trim	VIN Range
2001-07	Accord	ALL	Check the iN VIN status for eligibility.
2001-05	Civic	ALL	Check the iN VIN status for eligibility.
2001-05	Civic GX	ALL	Check the iN VIN status for eligibility.
2003-05	Civic Hybrid	ALL	Check the iN VIN status for eligibility.
2002-07, 2010-11	CR-V	ALL	Check the iN VIN status for eligibility.
2003-11	Element	ALL	Check the iN VIN status for eligibility.
2002-04	Odyssey	ALL	Check the iN VIN status for eligibility.
2003-08	Pilot	ALL	Check the iN VIN status for eligibility.
2006-14	Ridgeline	ALL	Check the iN VIN status for eligibility.

REVISION SUMMARY

- **Information was updated under REQUIRED TOOLS.**
- 2009 Accord and 2007 Fit models were moved to S/B 19-031 *Safety Recall: Driver's Airbag Replacement Inflator Can Be Over-Pressurized (Module Replacement)*

BACKGROUND

In certain vehicles, the **replacement** driver's (front) airbag inflator (from either a previous recall repair or an airbag module replacement) could produce excessive internal pressure during airbag deployment. If an affected airbag deploys, the increased internal pressure may cause the inflator casing to rupture. Metal fragments could pass through the airbag cushion material, possibly causing injury or fatality to vehicle occupants.

NOTE

If the VIN status inquiry indicates that the vehicle is subject to any open safety recalls, including a front passenger's airbag inflator campaign/recall, make sure to also complete those recall repairs before returning the vehicle to the customer. If you are unable to complete any open recall, advise the customer of the recall status and when the recall could be completed.

CUSTOMER INFORMATION:The information in this bulletin is intended for use only by skilled technicians who have the proper tools, equipment, and training to correctly and safely maintain your vehicle. These procedures should not be attempted by "do-it-yourselfers," and you should not assume this bulletin applies to your vehicle, or that your vehicle has the condition described. To determine whether this information applies, contact an authorized Honda automobile dealer.

You may receive a different part number than ordered, and the inflator may appear different. As a result, there may be different installation instructions. Make sure you review this service bulletin for installation instructions and details about model applicability.

CUSTOMER NOTIFICATION

Owners of affected vehicles will be sent a notification of this campaign.

Do an iN VIN status inquiry to make sure the vehicle is shown as eligible.

Some vehicles affected by this campaign may be in your used vehicle inventory.

Failure to repair a vehicle subject to a recall or campaign may subject your dealership to claims or lawsuits from the customer or anyone else harmed as a result of such failure. To see if a vehicle in inventory is affected by this safety recall, do a VIN status inquiry before selling it.

CORRECTIVE ACTION

Replace the driver's airbag inflator, then return the original, undeployed inflator as directed.

REQUIRED TOOLS

Part Name	Part Number	Quantity
Bulldog Metal Snips	MWT6716B	1

NOTES

- The metal snips have smaller jaws compared to regular tin snips to give you better mechanical advantage and allow the snips to fit in the tight area around the airbag.
- Make sure you use these snips to minimize the amount of debris created. Never allow any debris to fall into the airbag while the inflator is out of the airbag module.
- Replace the snips when they are dull. Dull snips may contribute to the horn plate being bent or creating small pieces of metal that could get into the airbag.
- If you need a replacement or more snips, contact the Tool and Equipment Program at **888-424-6857**.

PARTS INFORMATION

NOTE

Always use new Torx bolts to install the airbag module. The new Torx bolts are coated with threadlock to make sure they do not come loose.

Part Name	Order Part Number	You may receive any of the following	Quantity
2001–02 Accord Driver's Airbag Inflator Kit	04770-S5A-405	04770-S5A-405	1
2003–07 Accord Driver's Airbag Inflator Kit	04770-SDA-406	04770-SDA-406	1
2001–05 Civic (includes GX and Hybrid) Driver's Airbag Inflator Kit	04770-S5A-408	04770-S5A-408	1
2002–06 CR-V Driver's Airbag Inflator Kit	04770-S9A-405	04770-S9A-405 04770-S9A-409	1
2007, 2010-11 CR-V Driver's Airbag Inflator Kit	04770-SWA-405	04770-SWA-405	1

Part Name	Order Part Number	You may receive any of the following	Quantity
2003–11 Element Driver's Airbag Inflator Kit	04770-SCV-405	04770-SCV-405 04770-SCV-409	1
2002–04 Odyssey Driver's Airbag Inflator Kit	04770-S5A-405	04770-S5A-405	1
2003–08 Pilot Driver's Airbag Inflator Kit	04770-S9A-405	04770-S9A-405 04770-S9A-409	1
2006 Ridgeline Driver's Airbag Inflator Kit	04770-SJC-406	04770-SJC-406	1
2007-14 Ridgeline Driver's Airbag Inflator Kit	04770-SJC-415	04770-SJC-415	1

NOTES

- The inflator kit box must be used to return the old inflator to its supplier. Be careful not to damage the inflator kit box.
- If the defective, undeployed inflator is not returned, the warranty claim for that vehicle will be charged back to your dealership.
- To return the inflator, follow the instructions in PIB A15-0002, *Inflator Kit Return Process*.
- For more information about scanning and filing airbag inflator recall claims, refer to **Ordering and Managing Replacement Inflators**. From the iN, select **Service, Warranty, Warranty Claim**, then **Reference Guide**. Under **HOT TIPS/TOPICS**, select **Inflator Claims at a Glance**.

WARRANTY CLAIM INFORMATION

NOTES

- To avoid a warranty claim being charged back to your dealership, the defective, undeployed inflator must be returned to its supplier. Follow the shipping instructions in PIB A15-0002, *Inflator Kit Return Process*.
- The **replacement inflator part number and serial number** are printed on the label that should be attached to the RO.
- To avoid non-payment of warranty claims, the new airbag inflator part number and serial number must be included in each claim. For more information, refer to step 5 of REPAIR PROCEDURE.
- The serial number is encoded into the bar code printed on the label inside of the box and on a label attached to the outside of the box. If your dealership uses a scanner, you can scan the serial number from either place into the claim.
- The part number is encoded into a barcode attached to the outside of the box. If your dealership uses a scanner, you can scan the part number into the claim.
- **If you confuse the serial number and part number when entering the claim information**, your claim will automatically be rejected.
- For more information about scanning and filing airbag inflator recall claims, refer to **Ordering and Managing Replacement Inflators**. From the iN, select **Service, Warranty, Warranty Claim**, then **Reference Guide**. Under **HOT TIPS/TOPICS**, select **Inflator Claims at a Glance**.

Year/Model	Operation Number	Replacement Part Number	Flat Rate Time	Defect Code	Symptom Code	Template ID	Failed Part Number
2001-02 Accord	7521H8	04770-S5A-405	0.5 hr	6KY00	O4100	A19030A	06770-SDA-A80ZA

Year/Model	Operation Number	Replacement Part Number	Flat Rate Time	Defect Code	Symptom Code	Template ID	Failed Part Number
2003-07 Accord	7521H8	04770-SDA-406	0.5 hr	6KY00	O4100	A19030B	06770-SDA-A80ZA
2001-05 Civic	7521H8	04770-S5A-408	0.5 hr	6KY00	O4100	A19030C	06770-S5A-A10ZA
2001-05 Civic GX	7521H8						
2003-05 Civic Hybrid	7521H8						
2002-06 CR-V	7521H8	04770-S9A-405	0.5 hr	6KY00	O4100	A19030D	06770-S9A-A80ZA
		04770-S9A-409				A19030E	
2007, 2010-11 CR-V	7521K4	04770-SWA-405	0.6 hr	6KY00	O4100	A19030F	77810-SWA-A70ZA
2003-11 Element	7521H8	04770-SCV-405	0.5 hr	6KY00	O4100	A19030H	06770-SCV-A80ZA
		04770-SCV-409				A19030I	
2002-04 Odyssey	7521H9	04770-S5A-405	0.5 hr	6KY00	O4100	A19030M	06770-S0X-A10ZA
2003-08 Pilot	7521H9	04770-S9A-405	0.5 hr	6KY00	O4100	A19030N	06770-S9V-A01ZA
		04770-S9A-409				A19030O	
2006 Ridgeline	7521H9	04770-SJC-406	0.5 hr	6KY00	O4100	A19030P	06770-SJC-A10ZA
2007-14 Ridgeline	7521K4	04770-SJC-415	0.5 hr	6KY00	O4100	A19030Q	77810-SZT-A80ZA

Skill Level: Repair Technician

REPAIR PROCEDURE

NOTE:

- **If the VIN status inquiry indicates that the vehicle is subject to any open safety recalls, including the front passenger's airbag inflator, make sure to also complete those recall repairs before returning the vehicle to the customer. If you are unable to complete any open recall, advise the customer of the recall status and when the recall could be completed.**
 - Make sure you have the anti-theft code for the audio and navigation system (if applicable), then write down the frequencies for the radio's preset buttons.
 - Be careful not to damage any parts when replacing the inflator, and **follow the procedure exactly**.
 - If, before removing the airbag module, you suspect that it may be the incorrect airbag for the vehicle or a counterfeit, **do not remove the airbag**. Contact your DPSM for assistance.
 - Make sure you have reviewed the SRS Precautions and Procedures in the service information before doing the REPAIR PROCEDURE.
1. Turn the ignition switch to the ON (II) position and check if the SRS indicator comes on for about 6 seconds, then turns off.
 - If the indicator comes on, then turns off after about 6 seconds, go to step 2.
 - If the indicator does not come on, or if it stays on, contact your DPSM for assistance.
 2. Disconnect the battery negative cable and wait at least 3 minutes before continuing.
 3. Remove the driver's airbag module. Refer to the applicable vehicle's service information.
 4. Place the airbag module, face-down, on a clean shop towel.

NOTE:

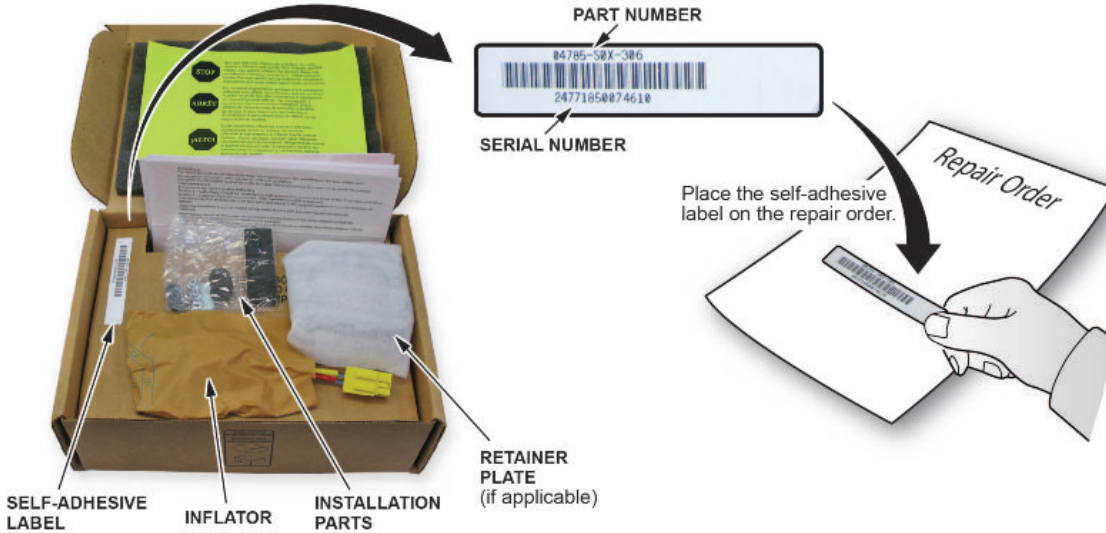
- The orientation of the airbag module is critical because if the inflator is installed incorrectly, the harness will be too short when you reinstall the airbag module.
- The brackets between the various models are similar but may differ from the example shown.

5. Peel the label located inside the inflator box from its backing and attach it to the RO. For the warranty claim to be paid, the **replacement inflator part number that you received** must be included in the warranty claim.

NOTE:

- The replacement part number is printed on the top part of the label and the serial number is printed on the bottom. **Make sure you attach the label to the RO and give it to the warranty clerk.**
- There may also be a colored sticker located in the kit, ignore it because it is not used.
- Not all inflator kits have a label included. In those cases, write the serial number and part number from the side of the inflator box on the RO. The part number always starts with 047.

INFLATOR PARTS BOX



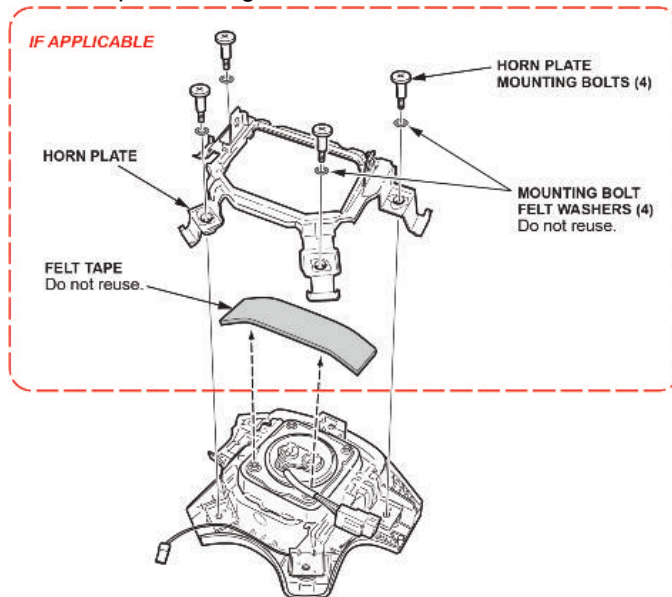
6. If there is no horn plate installed, go to step 7. If there is a horn plate installed, there are two ways to access the inflator.

NOTE

2007-14 Ridgeline - you do not have to remove the horn bracket. Go to step 7.

- 6.1. Remove the horn plate - all except CR-V.

- 6.1.1. Remove the four horn plate mounting bolts, the mounting bolt felt washers, the horn plate, and remove the felt tape covering the lower two inflator locknuts. The felt washers and felt tape will not be reused.

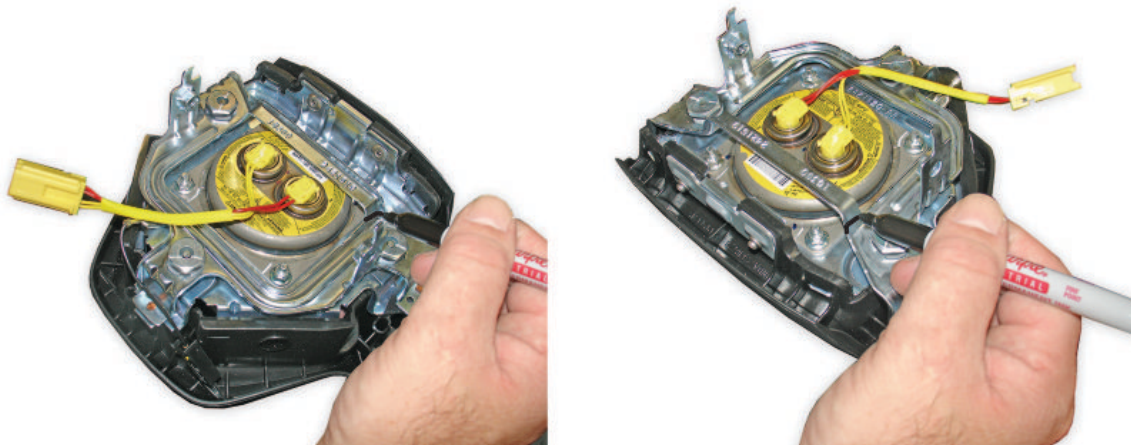


6.2. Cut the horn plate - Only for CR-V.

NOTE

If the bracket has been previously cut, go to step 7.

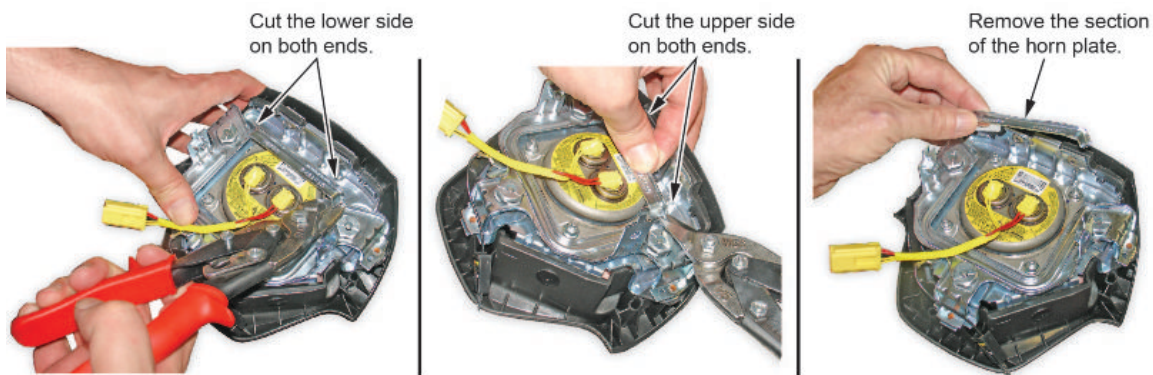
6.2.1. Using a marker, draw a line on the horn plate as shown.



6.2.2. Using the snips, cut along the line drawn.

NOTE

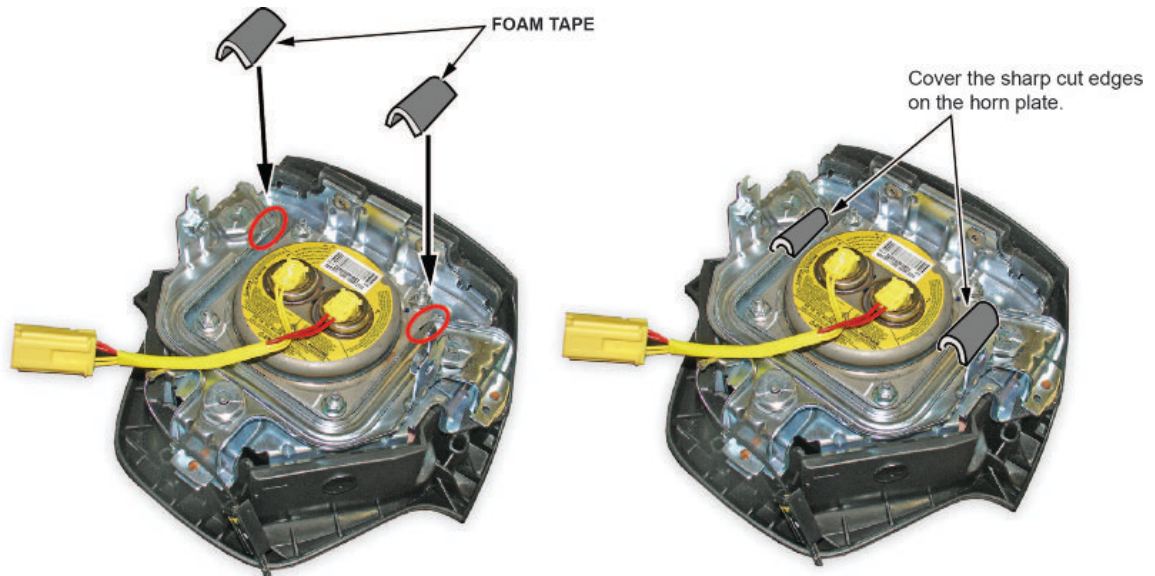
Always use sharp snips. If they are dull and you twist or wiggle them back and forth, you may warp the horn plate, which would require a new airbag module.



6.2.3. Take the felt tape and cut it into two pieces. Apply to the cut surface for protection.

NOTES

- Do not file the metal edges.
- Make sure the felt tape does not interfere with the horn plate or horn plate springs.

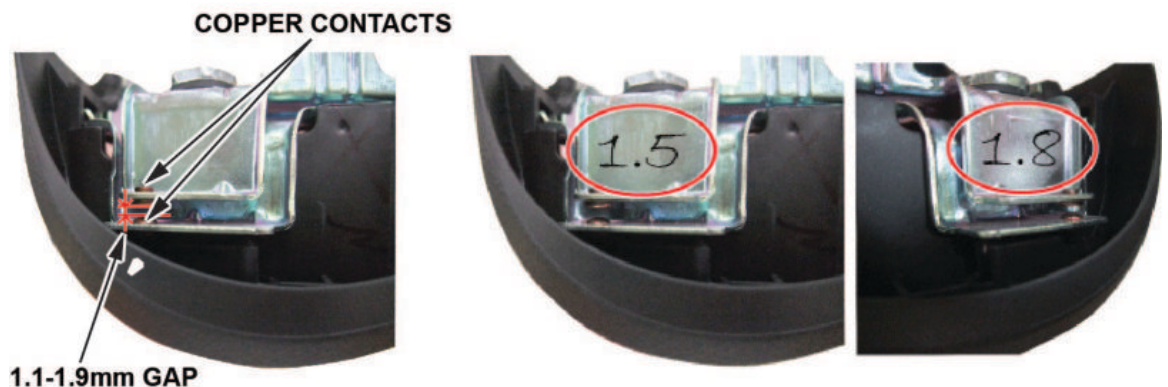


6.2.4. Measure the space between the two copper contacts on the horn plate as shown. The space should be between 1.1 and 1.9 mm.

NOTE

There is a copper contact on each side of the airbag module.

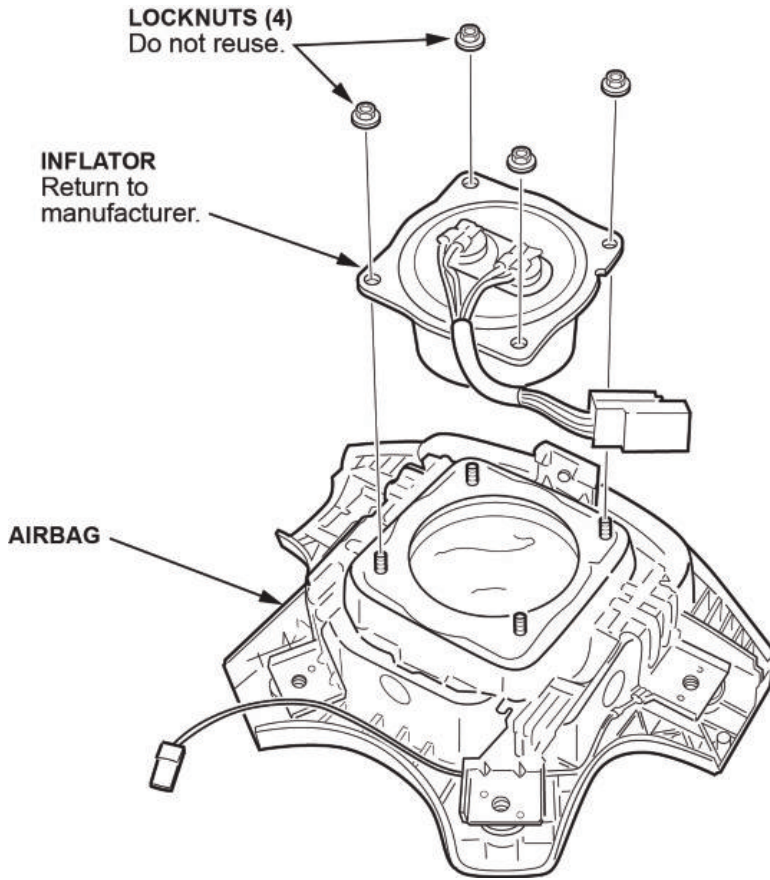
- If the spaces are within specification, write the measurements on the side of the horn plate.
- If either of the spaces is out of specification, try to correct it. If the space is too large, use a pair of pliers to close the space, or if the gap is too small, use a flat headed screwdriver to open it up so that the copper contacts are within specification. Write down the measurement on the side of the horn plate.



- Using needle-nose vise grips or a 3/8 in. 6-point socket, remove the four locknuts from the inflator. The locknuts will not be reused.

NOTE

Do not remove the inflator from the airbag module until you complete step 8 .



- Use shop air to clean any debris that may be on the inflator, then remove the inflator from the airbag module.

NOTES

- Do not allow any debris to enter the inflator opening in the airbag.
- Do not deploy the inflator. The inflator must be returned to its supplier in the box the new inflator came in. Follow the shipping instructions supplied with the inflator kit. If you have any questions about shipping, call Warranty Parts Inspection (WPI) at **937-642-2737**.

- Turn over the airbag module (inflator side down), and shake it to remove any debris from the inflator opening.



- Install the new inflator in the airbag module.

NOTE

There may be some minor surface rust or corrosion on the new inflator; this is OK.

Click [HERE](#) for a short video about the different variations of the driver’s and front passenger’s replacement inflators involved with the recalls related to Takata inflators. While both the driver’s and front passengers inflators are shown in the video, this is informational only. Replace inflators only as directed by the iN VIN status inquiry.

There are four different styles of inflators. Make sure you use the correct installation procedures for the type of inflator you have.

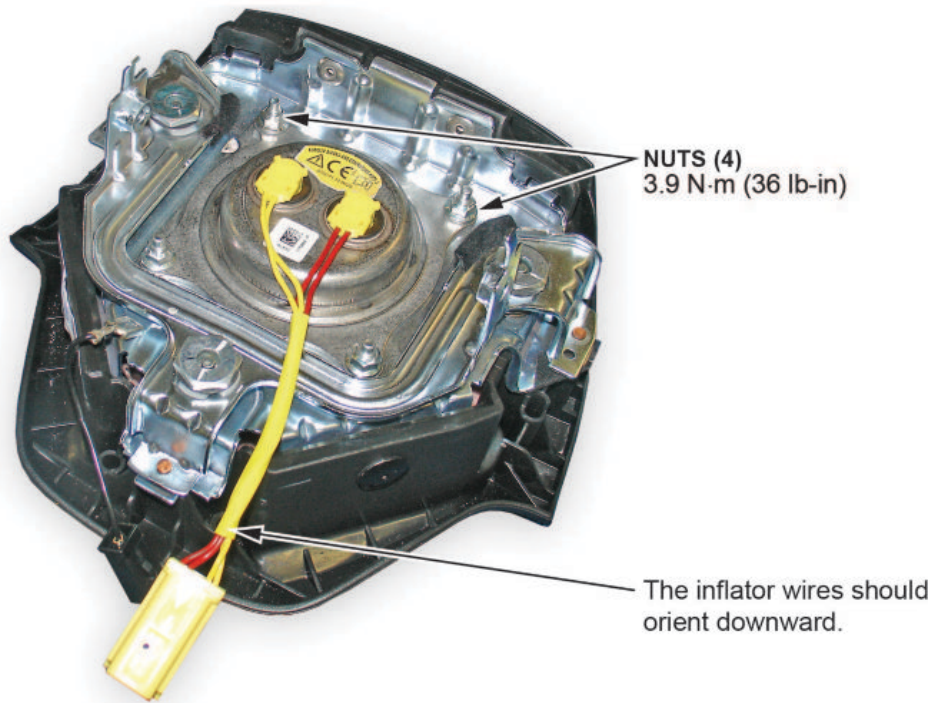
Type 1 - See 10.1	Type 2 - See 10.2	Type 3 - See 10.3	Type 4 - See 10.4
04770-SWA-405	04770-S5A-405	04770-S5A-408	04770-S9A-409
04770-SJC-415	04770-SDA-406		04770-SCV-409
	04770-S9A-405		
	04770-SCV-405		
	04770-SJC-406		

10.1. **Type 1 - Check your part number against the ones listed for each installation procedure. Use the correct installation procedure for the part you received.**

10.1.1. Place the inflator into the opening with the inflator harness toward the bottom of the airbag module.

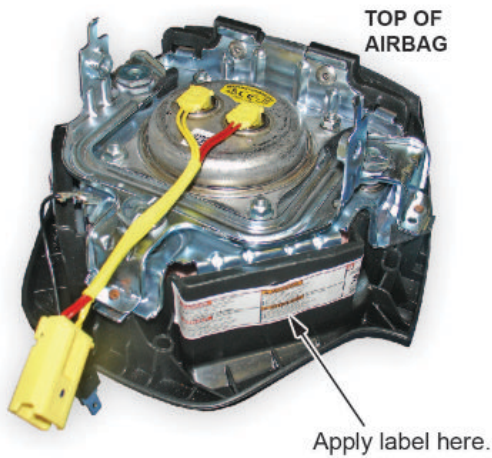
NOTE

The image shows the horn bracket removed like on the tbd. The other vehicles are similar.

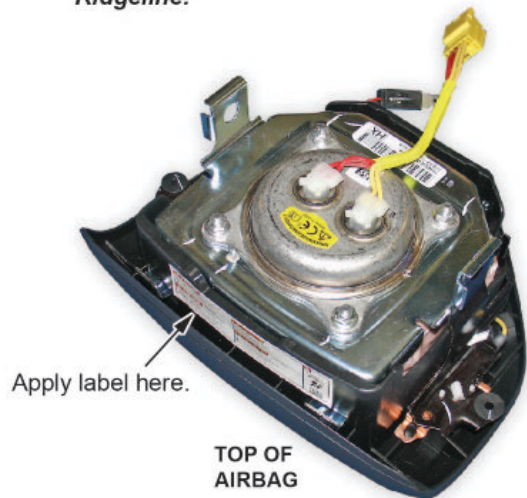


10.1.2. If the airbag inflator kit came with a label, attach the label to the inflator module as shown, then go to step 11.

CR-V:



Ridgeline:



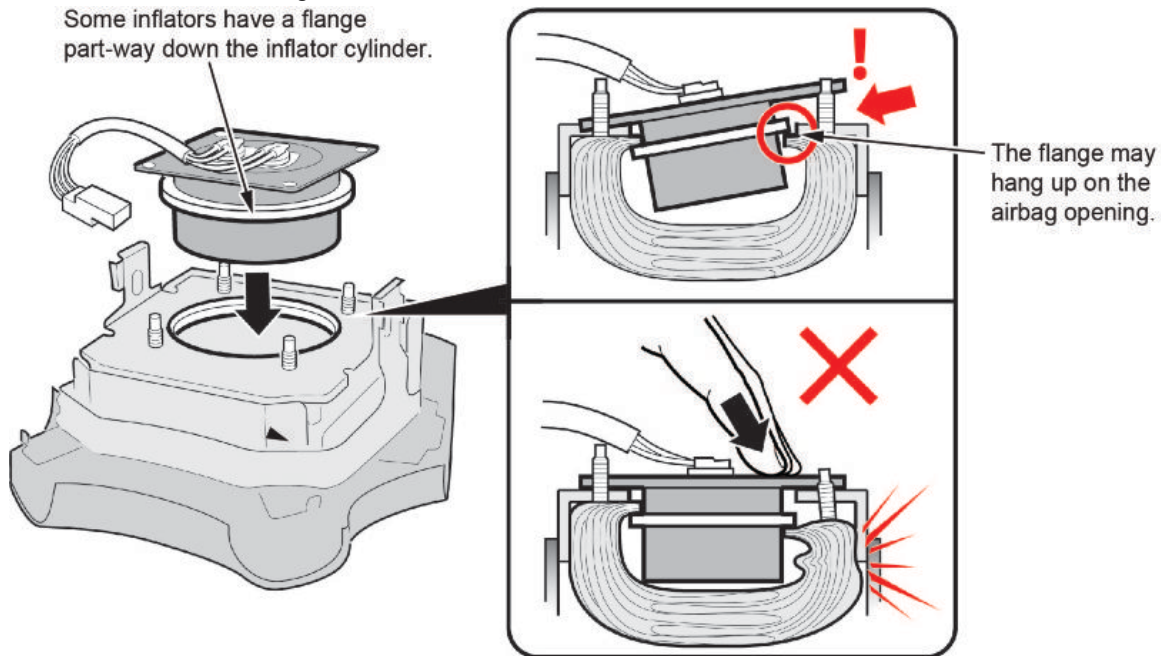
10.2. **Type 2 - Check your part number against the ones listed for each installation procedure. Use the correct installation procedure for the part you received.**

NOTE

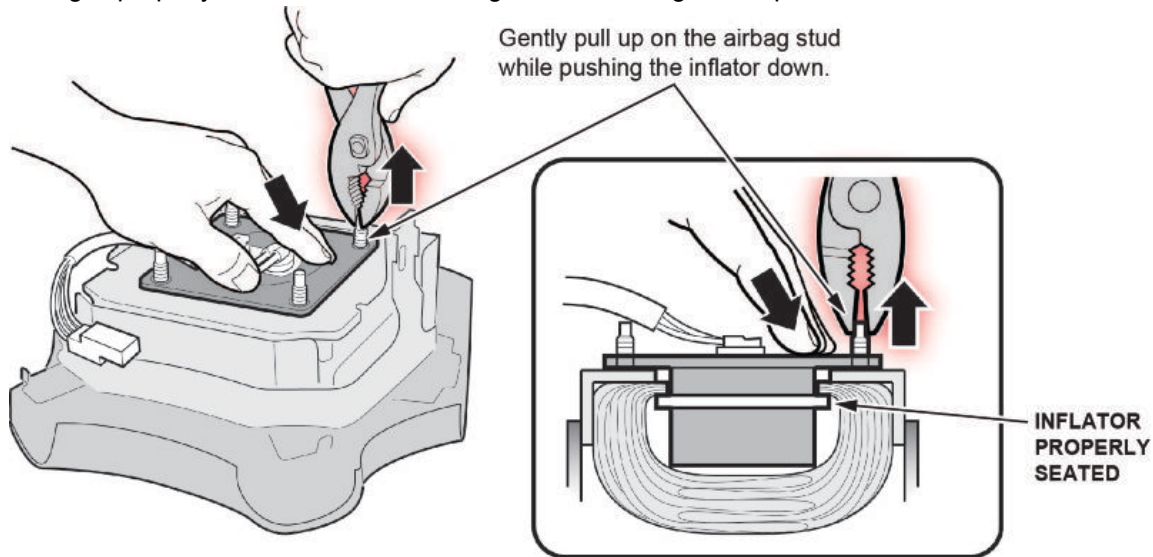
Refer to **Driver's Inflator Type 2** in the video.

10.2.1. Place the inflator into the opening with the inflator harness toward the bottom of the airbag module. Do not force it into the airbag module.

Some inflators have a flange part-way down the inflator cylinder.



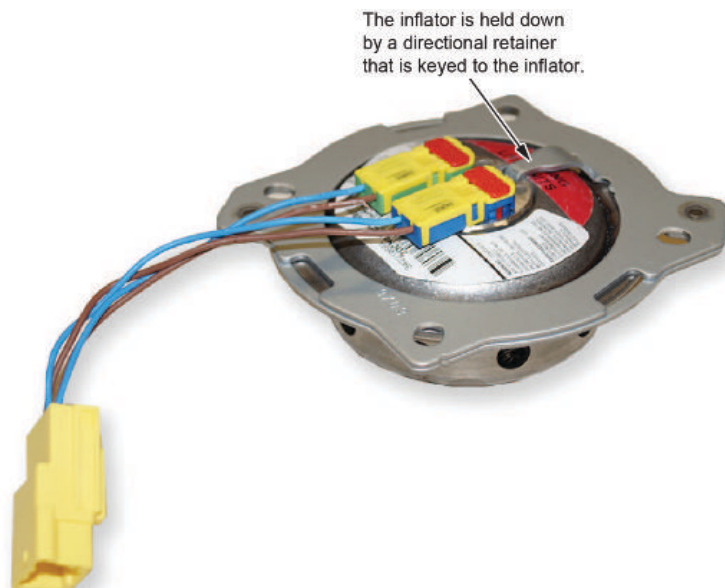
10.2.2. Using a pair of pliers, gently pull up on each stud up while pushing the inflator module down until the airbag is properly seated within the airbag module, then go to step 11.



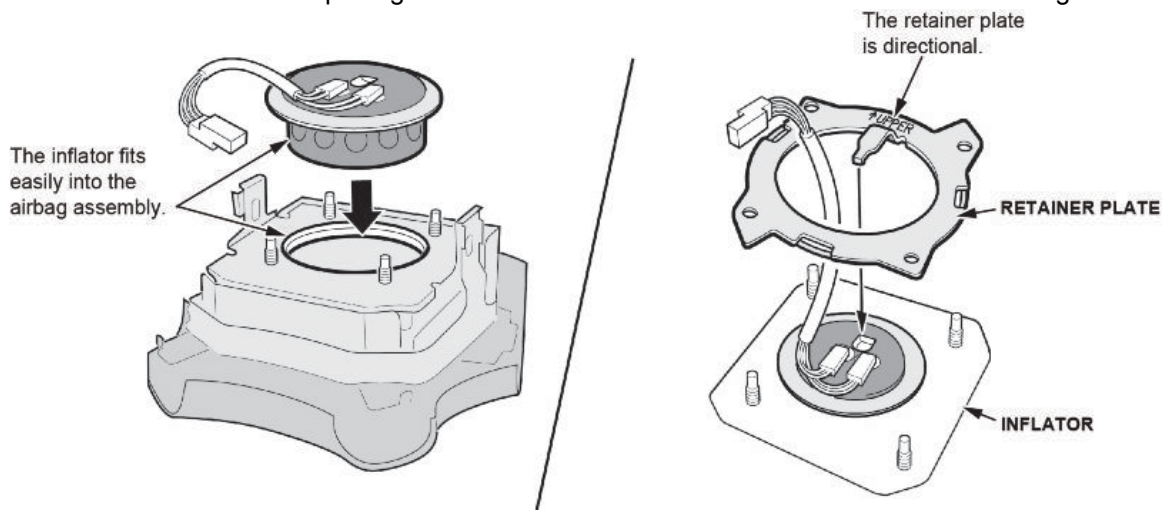
10.3. **Type 3 - Check your part number against the ones listed for each installation procedure. Use the correct installation procedure for the part you received.**

NOTE

Refer to Driver's Inflator Type 3 in the video.



10.3.1. Place the inflator into the opening with the inflator harness toward the bottom of the airbag module.



10.3.2. Install the bracket onto the studs. Make sure the locator tab fits into the locator hole as shown, then go to step 11.

NOTE

Make sure the harness comes out through the center opening. Do not install the bracket over the harness wires.

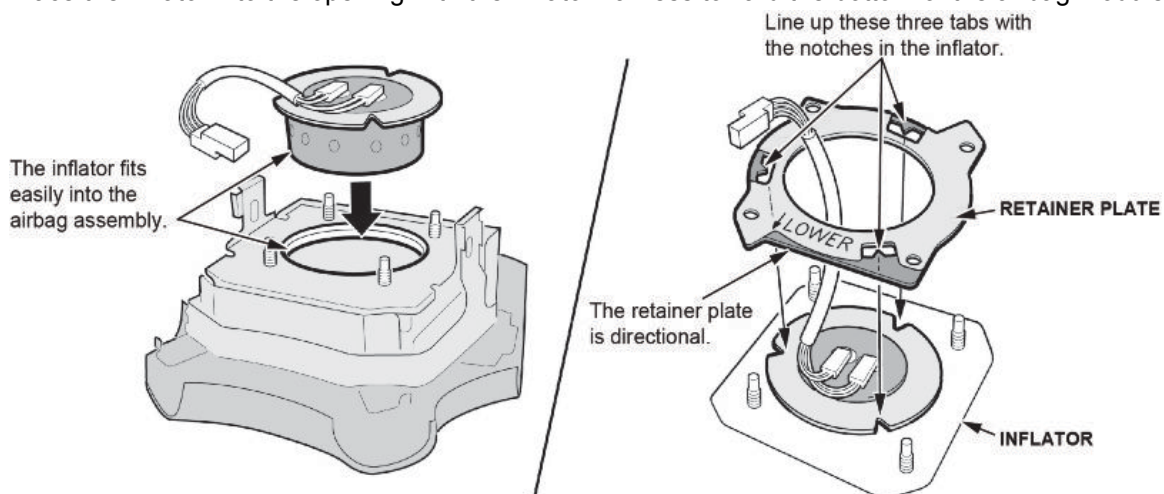
10.4. **Type 4 - Check your part number against the ones listed for each installation procedure. Use the correct installation procedure for the part you received.**

NOTE

Refer to Driver's Inflator Type 4 in the video.



10.4.1. Place the inflator into the opening with the inflator harness toward the bottom of the airbag module.



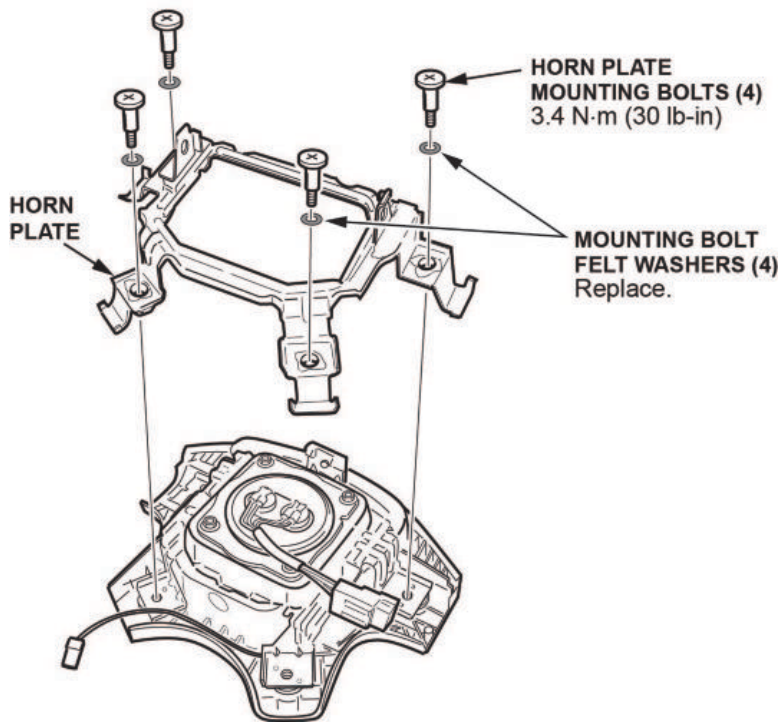
10.4.2. Install the bracket onto the studs with the stamp LOWER at the bottom of the airbag module.

10.4.3. Make sure the three tabs and notches are properly aligned, then go to step 11.

NOTES

- The tabs and notches are designed to align in one direction only. If the tabs and notches are not aligned, the inflator and bracket are not installed correctly.
- Make sure the harness comes out through the center opening. Do not install the bracket over the harness wires.

11. Install and torque the new locknuts to **3.9 N·m (2.8 lb-ft, 34 lb-in)**.
12. If applicable, reinstall the horn plate.
 - 12.1. Cover the lower two inflator locknuts with new felt tape (if applicable).
 - 12.2. Install the horn plate with new felt washers on its mounting bolts. Torque the mounting bolts to **3.4 N·m (2.5 lb-ft, 30 lb-in)**, then make sure the horn plate moves freely.



13. Install the driver's airbag module using new Torx bolts from the kit and torque the bolts to **9.8 N·m (7.2 lb-ft)**. Refer to the service information.
14. Reconnect the battery negative cable and do the following:
 - Enter the anti-theft codes for the audio system and the navigation system (if equipped).
 - Press and hold the audio unit power button to exit the anti-theft mode.
 - Enter the radio presets.
 - Set the clock (on vehicles without navigation).
15. Turn the ignition to ON and make sure the SRS indicator comes on for about 6 seconds, then goes off.
16. Give your warranty clerk the RO that includes the replacement inflator serial number and replacement part number. For the warranty claim to be paid, the **replacement inflator part number** must be included in the warranty claim.

END