



**Ditch  
Witch**<sup>®</sup>

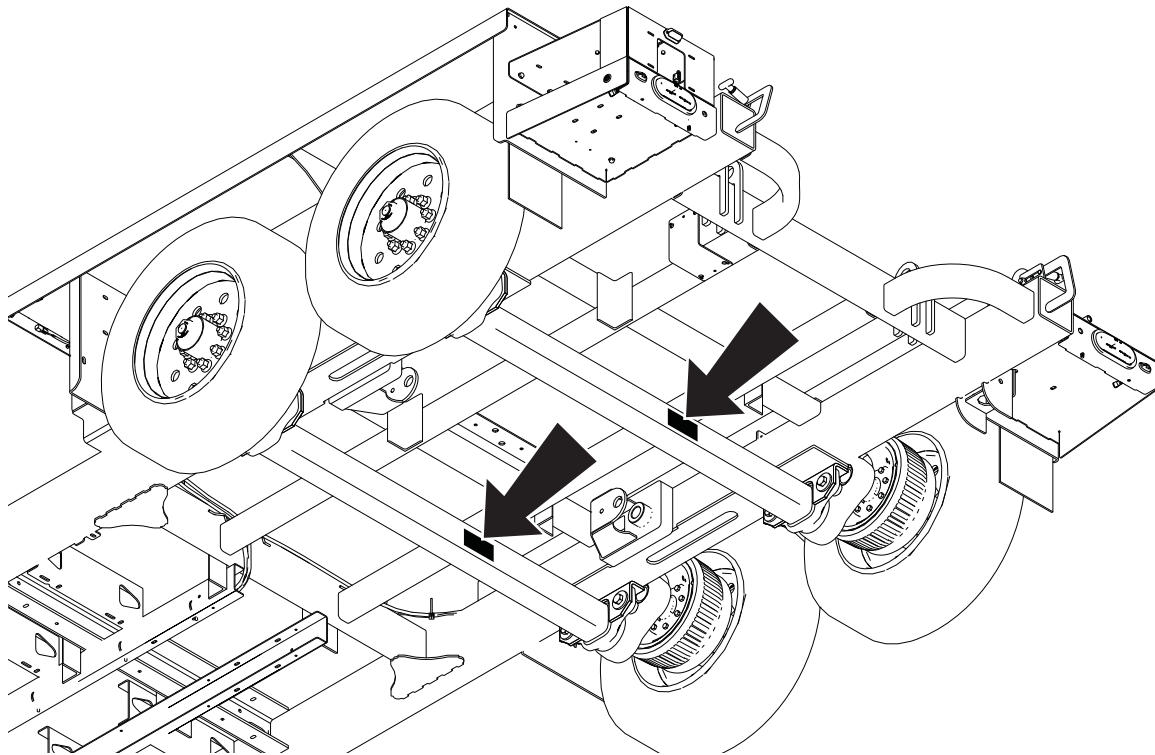
Publication Number: ID0555609

Publication Date: DRAFT

## Safety Notice

<b>Affected Models</b>	<b>HX30, HX50, HX75 on VT24 trailers (see attached list for affected VINs)</b>
<b>Attention</b>	Dealership Owners, Managers, Parts and Service Managers
<b>What Dealer Should Do</b>	<ol style="list-style-type: none"><li>1. Read the attached customer notice.</li><li>2. Check safety notification search tool on Dealer Central to see a list of units in your area.</li><li>3. Order 2 kits for each affected trailer in your area.</li><li>4. Check axles using procedure on following page to see if they are from affected lots.</li><li>5. Repair both hubs on each affected axle using instructions provided by Dexter and attached to this safety notification.</li><li>6. Submit warranty claim. Reference the lot number on the claim.</li></ol>
<b>Parts Required</b>	1 kit per axle: 500-3425 12K axle bearing kit
<b>Estimated Repair Time</b>	inspection: 30 minutes per machine repair: 2 hr per axle
<b>Compensation</b>	labor and mileage
<b>Dealership Notes</b>	<p>URGENT: Please perform this update as soon as possible in the interest of safety. Ditch Witch requests that you update all machines in your area by 09/30/2019.</p> <p>A notification will be mailed to owners of affected models in two weeks. Please note "What You Should Do" section of the attached customer notice. If you have any questions, contact the Trenchless Product Support Group.</p>

## Find Lot Number



j73sn001w19.eps

1. Block trailer tires.
2. From rear of trailer, inspect axle lot number etching on both axles.

**IMPORTANT:** Front axle requires inspection from under trailer.

3. If the lot is one of the following numbers, replace both hubs using kit 500-3425.

123249668

123253883

123256699

123259902