



## Safety Information

### ⚠ WARNING

Failure to act in accordance with the following may result in death, serious personal injury, severe product or property damage. Read and understand all instructions before beginning service on trailer.

### ⚠ CAUTION

Moving parts can pinch, crush or cut. Keep clear and use caution.

## Purpose

This document will provide instructions of proper completion of the Smart Jack Recall. Verify and replace Smart Jack PN 426514 (OEM) with Smart Jack PN 717818 (OEM) or Smart Jack PN 643589 (Aftermarket) with Smart Jack PN 718679 (Aftermarket).

## Resources Required

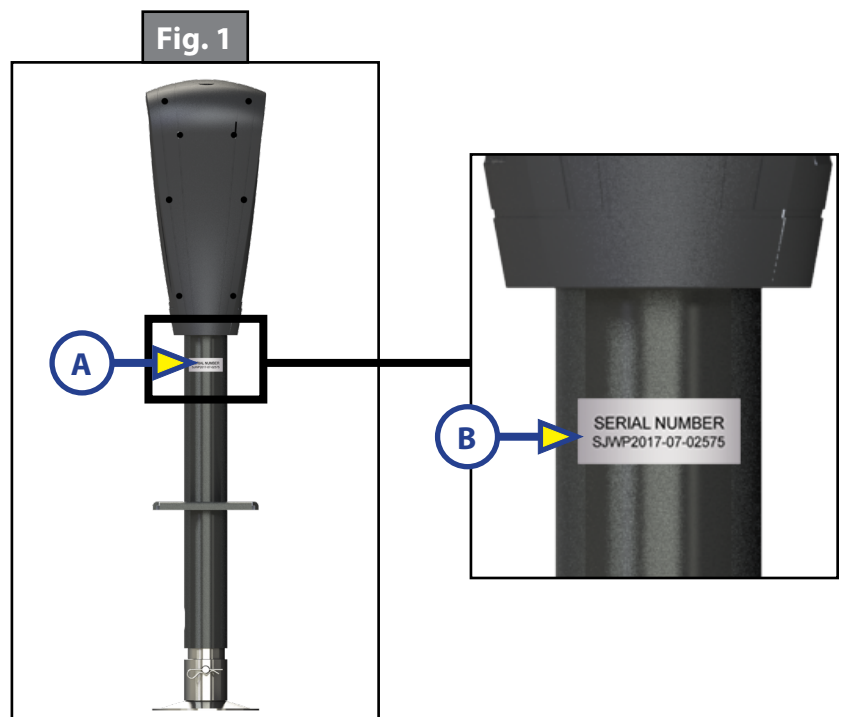
- Cordless or electric drill or screw gun
- 1/2" drive socket

## Instructions

**NOTE:** Follow the ordering and claim submittal instructions provided by the RV Manufacturer (OEM) or by Lippert Components. If you did not receive a recall letter from an RV Manufacturer or Lippert Components you may contact LCI regarding this recall via phone by calling 574-538-4514 or email [recall@lci1.com](mailto:recall@lci1.com) to obtain the replacement component.

1. Look at the shaft of the Smart Jack under the bottom of the motor cover (Fig. 1A).
  - A. If the serial number on the sticker is 2017-07-0001 or higher (Fig. 1B) the jack is **NOT** to be changed.
  - B. If there is **NOT** a sticker present, then the Smart Jack will need to be replaced with Smart Jack PN 717818 (OEM) or PN 718679 (Aftermarket).

**NOTE:** After removal of the Smart Jack, the Smart Jack will need to be destroyed. The footpad does **NOT** need to be destroyed and can be used on the new Smart Jack. A clear photograph of the destroyed Smart Jack **MUST** be taken showing the serial number tag (Fig. 1B) or showing that it has no tag. This photograph **MUST** accompany all submitted claims to the RV Manufacturer and/or to Lippert Components.



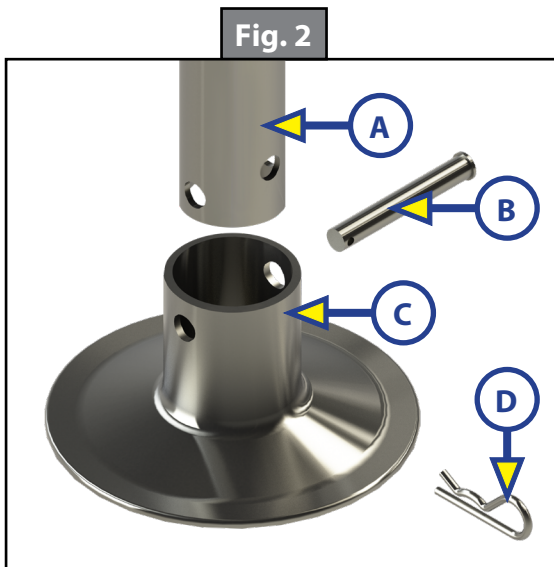
## Replacing the Smart Jack

### **⚠ WARNING**

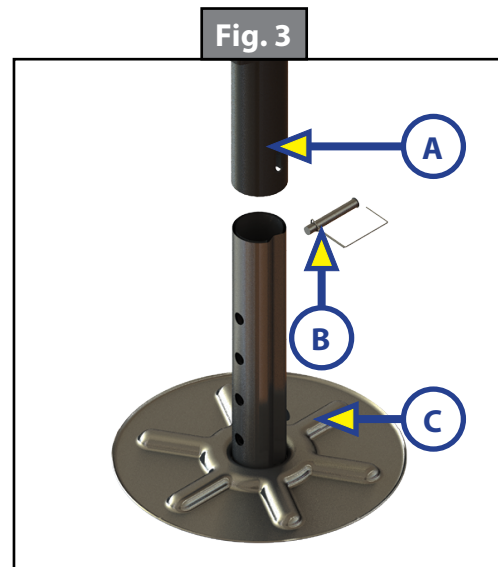
The trailer **MUST** be supported per manufacturer's recommendations before working underneath. Failure to do so may result in death, serious personal injury, product or property damage.

### Smart Jack PN 426514 (OEM) or PN 643589 (Aftermarket) Removal

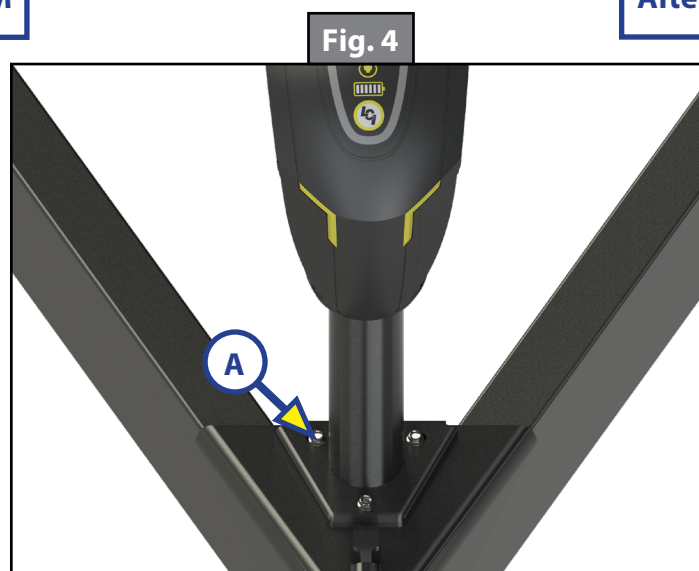
1. Support the trailer according to manufacturer's recommendations.
2. Remove the Smart Jack footpad as follows:
  - A. Remove the clevis pin (Fig. 2B) and cotter pin (Fig. 2D) or snapper pin (Fig. 3B) which holds the footpad (Fig. 2C or Fig. 3C) to the jack leg (Fig. 2A or Fig. 3A). Set aside the footpad and pins to be used on the new Smart Jack or discard and use the new provided footpad and pins.
3. Disconnect the Smart Jack's red power wire from the 12V DC power supply.
4. Remove and discard the three bolts from the coupler (Fig. 4A).



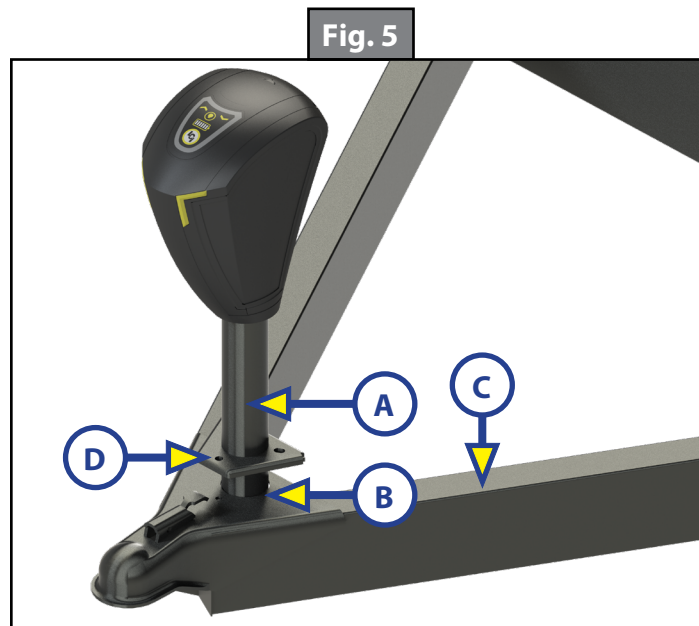
OEM



Aftermarket



5. Slide the Smart Jack (Fig. 5A) up through the hole in the coupler (Fig. 5B) on the trailer A-frame (Fig. 5C).
6. Destroy the Smart Jack. A clear photograph of the destroyed Smart Jack **MUST** be taken showing the serial number tag (Fig. 1B) or showing that it has no tag. This photograph **MUST** accompany all submitted claims to the RV Manufacturer and/or to Lippert Components.



### Smart Jack PN 717818 (OEM) or PN 718679 (Aftermarket) Installation

1. Support the trailer according to manufacturer's recommendations.
2. Remove the Smart Jack footpad from the new Smart Jack (if necessary) as follows:
  - A. Remove the clevis pin (Fig. 2B) and cotter pin (Fig. 2D) or remove the snapper pin (Fig. 3B) which holds the footpad (Fig. 2C or Fig. 3C) to the jack leg (Fig. 2A or Fig. 3A). Set the footpad and pins aside.
3. Carefully slide the Smart Jack (Fig. 5A) through the hole in the coupler (Fig. 5B) on the trailer A-frame (Fig. 5C).
4. Align the three holes in the Smart Jack mounting plate (Fig. 5D) with three holes in the coupler (Fig. 5B).
5. Secure the Smart Jack to the coupler with the provided bolts (Fig. 4A).
6. Connect the red power wire from the Smart Jack housing to a grounded 12V DC power supply on the trailer.

**NOTE:** The Smart Jack **MUST** be wired with a 30 amp in-line fused circuit.

7. Attach either the old footpad or the new footpad to the Smart Jack leg by sliding the footpad (Fig. 2C or Fig. 3C) back over the bottom of the jack leg (Fig. 2A or Fig. 3A) and securing it with either the existing clevis pin (Fig. 2B) and cotter pin (Fig. 2D) or the existing snapper pin (Fig. 3B) or use the new clevis pin and cotter pin or new snapper pin that was provided with the new Smart Jack.
8. Remove trailer supports according to manufacturers recommendations.