

TECHNICAL INSTRUCTIONS
FOR
SAFETY RECALL J0A/J0B/J0C
FRONT PASSENGER AIRBAG INFLATOR MODULE
CERTAIN 2003 – 2006 MODEL YEAR TUNDRA

Updated 01-14-2021

Update 01-14-21

- **The scanning application process has been updated**

Update 10/17/19

- **The model year has been expanded to 2006 model year**

Update 6/9/19

- **The scanning process has been updated**

Update 12/20/18

- **The inflator installation procedure has been updated**

Update 12/18/18

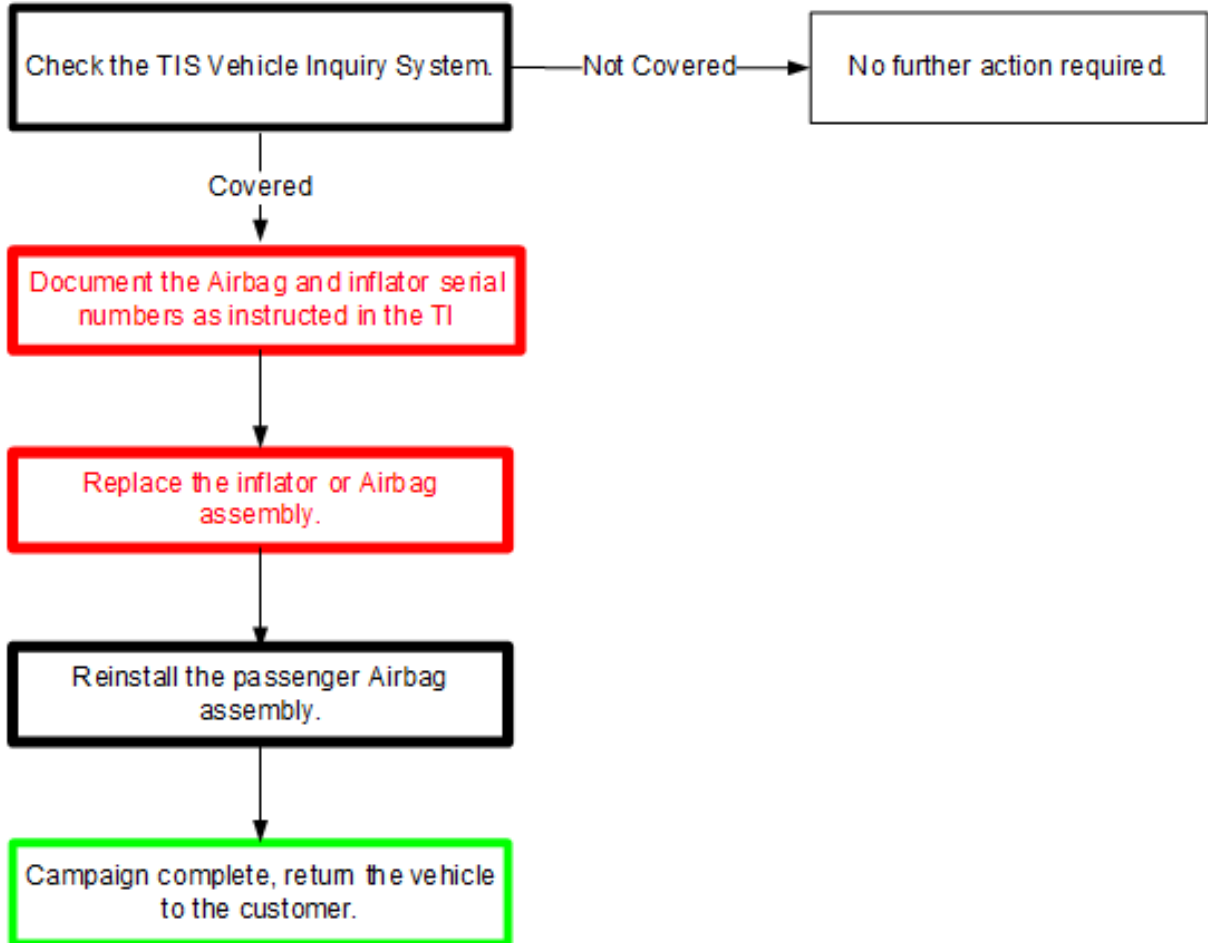
- **Images have been updated to reflect the new parts**

All dealership technicians performing this recall are required to successfully complete the most current version of the E-Learning course “Safety Recall and Service Campaign Essentials”. To ensure that all vehicles have the repair performed correctly; technicians performing this recall repair are required to have successfully completed E-Learning course SC18A (if you had previously completed E-Learning Course SC13B, you do not have to take SC18A), in addition to “Safety Recall and Service Campaign Essentials”, and currently hold at least one of the following certifications levels:

- **Toyota Certified (Electrical)**
- **Toyota Expert (Any Specialty)**
- **Master**
- **Master Diagnostic Technicians**

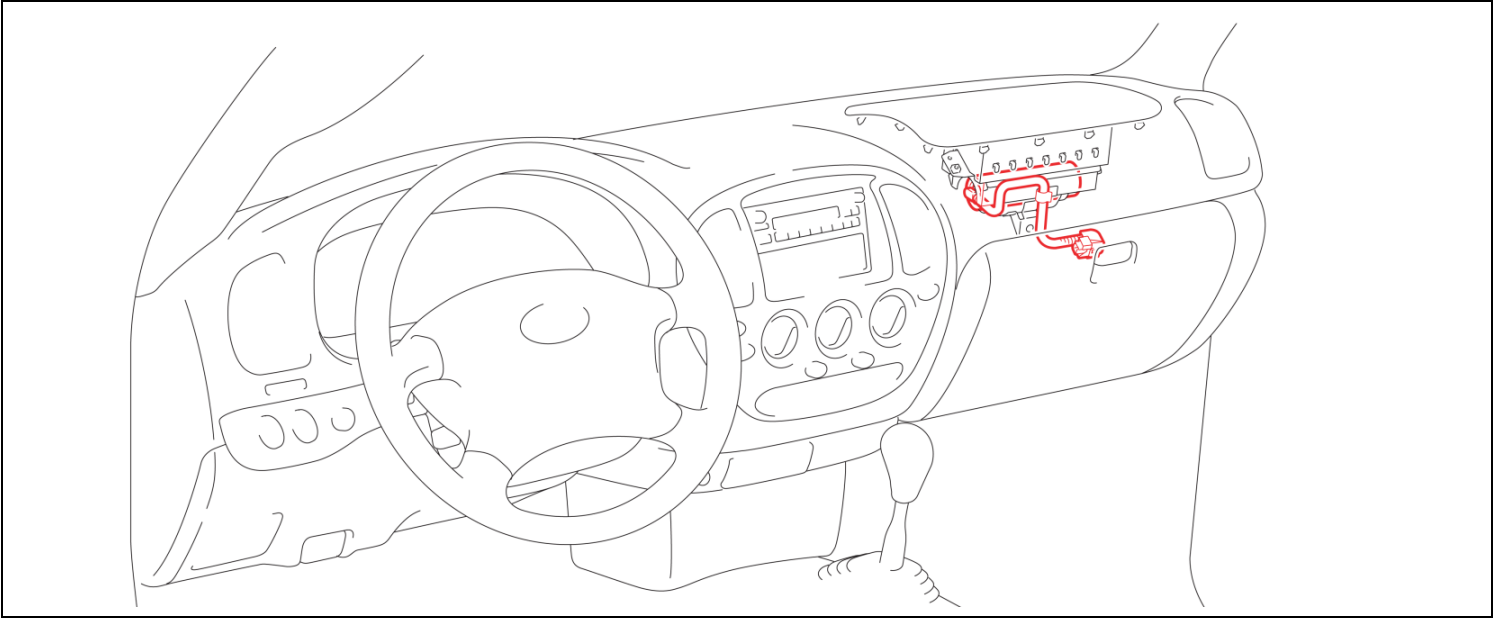
I. OPERATION FLOW CHART

The flow chart is for reference only. **DO NOT** use it in place of the full technical instructions. Follow **ALL** steps as outlined in the full technical instructions to confirm the campaign is completed correctly.



II. BACKGROUND

The subject vehicles are equipped with front passenger airbag inflators produced by Takata. The propellant in these inflators may degrade after prolonged exposure to high absolute humidity and fluctuating high temperatures. Degraded propellant can cause the inflator to explode during airbag deployment. In the event of an inflator explosion, metal fragments could pass through the airbag cushion material, striking the vehicle occupants, and result in serious injury or death.



III. IDENTIFICATION OF AFFECTED VEHICLES

A. INVOLVED VEHICLES

- Check the TIS Vehicle Inquiry System to confirm the VIN is involved in this Safety Recall, and that the campaign has not already been completed prior to dealer shipment or by another dealer.
- **TMS warranty will not reimburse dealers for repairs conducted on vehicles that are not affected or were completed by another dealer.**

IV. PREPARATION

A. PARTS

| Model Year | Part Number | Part Description | Quantity |
|--|------------------|---------------------------------------|----------|
| 2003-2004 Tundra | 04008-03712 | INFLATOR ASSY KIT, INSTR PNL AIR BAG* | 1 |
| *The kit above includes the following parts. | | | |
| | Inflator | 1 | |
| | Self Locking Nut | 4 | |
| | Electro Tap | 1 | |
| Model Year | Part Number | Part Description | Quantity |
| 2005-2006 Tundra | 04008-10112 | AIR BAG ASSY KIT, INSTR PNL PASS | 1 |

Non-Desiccated Part Recovery

Dealers should discontinue the installation of the non-desiccated parts listed below for recall, customer pay repairs AND over-the-counter sales (if applicable).

| Model | Model Year | Location | Part Number | Part Description | Qty |
|--------|------------|-------------------------------|-------------|--|-----|
| Tundra | 2003-2004 | 48 States in Continental U.S. | 04003-2810C | INFLATOR ASSY KIT, INSTR PNL AIRBAG | 1 |
| | | USTT, Hawaii & AK | 04003-1110C | | |
| | 2005-2006 | 48 States in Continental U.S. | 04004-7520C | | |
| | | USTT, Hawaii & AK | 04004-7510C | | |

| Model | Model Year | Part Number | Part Description |
|--------|------------|----------------|---------------------------------|
| Tundra | 2003-2004 | 73970-0C020-B0 | AIR BAG ASSY, INSTR PNL PASS |
| | | 73970-0C020-B1 | |
| | | 73970-0C020-E0 | |
| | 2005-2006 | 73970-0C021-B0 | |
| | | 73970-0C021-B1 | |

Toyota requires all dealers to return any parts listed above that still remain in dealer inventory by utilizing the Hazmat Part Return Program available. Dealers will be issued a refund for all part returns. This part return program is outlined in *PANT Bulletin 2014-042*.

Important Note:

In order to return the inflator, packages must **NOT** be opened/tampered with.

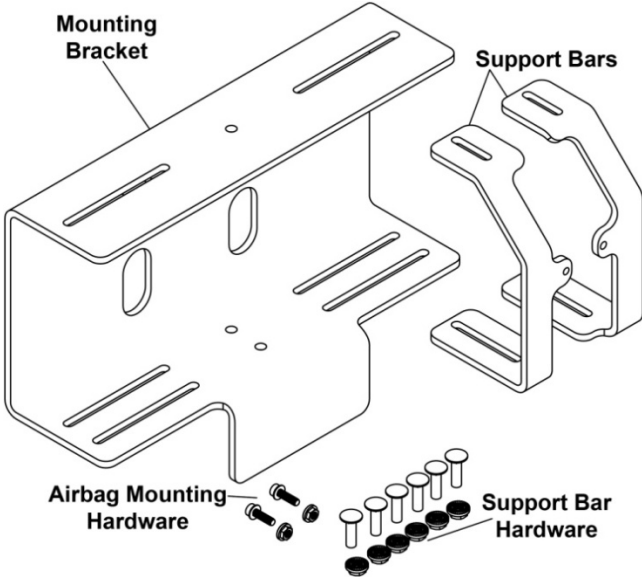
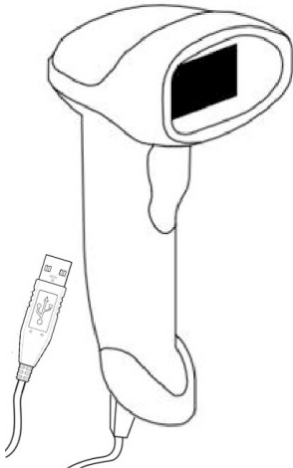
A. TOOLS & EQUIPMENT

- Standard hand tools
- Molding remover set
- Torque wrench
- Techstream
- Electrical Tape
- Zip Tie

OPTIONAL SST – This is an essential special service tool that the dealership should have. This tool is not mandatory when performing this repair.

| Part Number | Part Name | Quantity |
|----------------|---------------------|----------|
| 09890-47010-01 | Anti-Static Mat Set | 1 |

E04 CAMPAIGN TOOLS – These tools were previously provided to the dealership for campaign D0F and will be used for campaign E04. These tools are required when performing this repair.

| Image | Name | Quantity |
|---|------------------------------------|----------|
|  | Airbag Mounting Bracket & hardware | 1 |
|  | Barcode Scanner | 1 |

NOTE: These tools **CANNOT** be ordered through the parts or tools system. There is a very limited supply of tools, but if additional tools are needed, contact your regional representative.

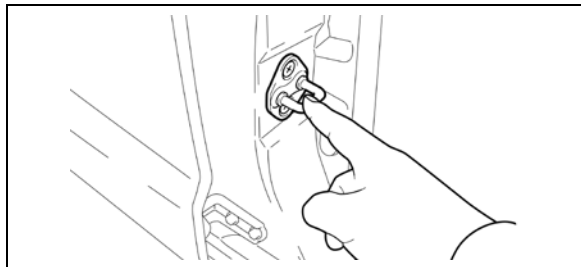
V. SAFETY PRECAUTIONS



CRITICAL INFORMATION – READ THOROUGHLY

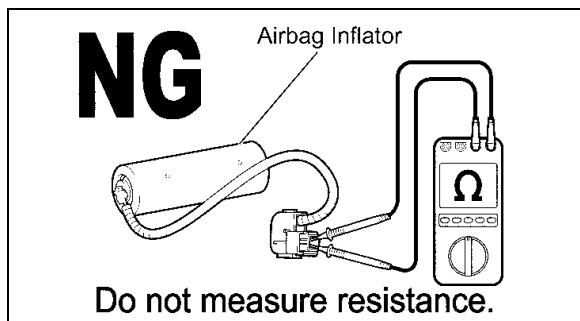


Failure to follow these procedures correctly could cause the SRS to unexpectedly deploy during servicing or the SRS may fail to operate correctly when required after reassembly. Confirm all work is performed as described in these instructions.



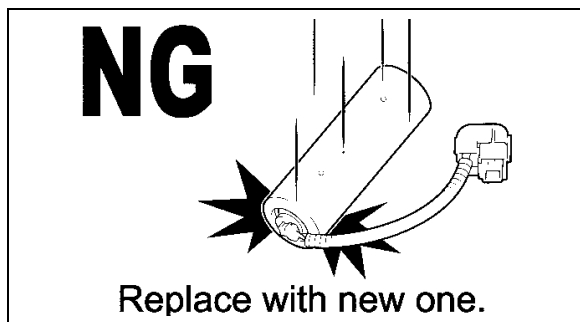
1. ELIMINATE STATIC ELECTRICITY

- a) Before starting work and periodically while working on the vehicle, touch a metallic part of the vehicle to discharge static electricity in the body.



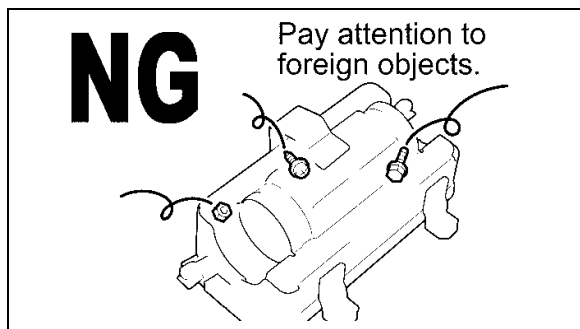
2. DO NOT MEASURE RESISTANCE

- a) **DO NOT** measure resistance of airbag components, this may cause accidental activation.



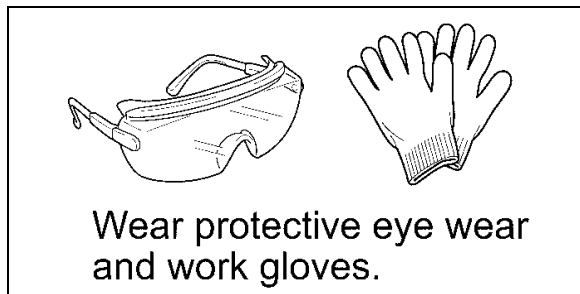
3. HANDLE THE AIRBAG CAREFULLY

- a) If an inflator is dropped, replace it with a **NEW** inflator.



4. DO NOT ALLOW FOREIGN OBJECTS NEAR AIRBAG

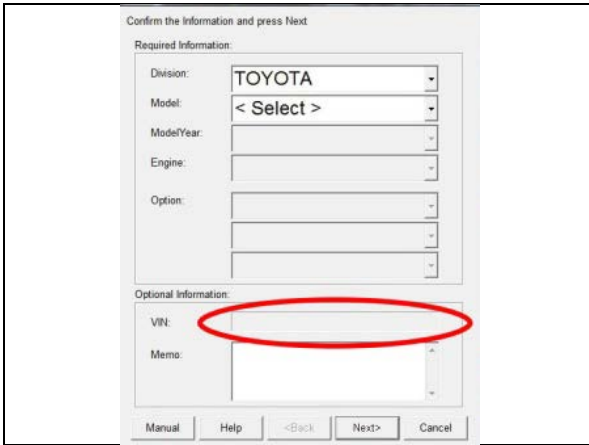
- a) Be sure to collect and account for all removed nuts/bolts to prevent them from landing in the airbag assembly.
- b) Any foreign objects in the airbag assembly may cause damage or injury if the airbag is activated.



5. WEAR PROTECTIVE EQUIPMENT

- a) Always wear appropriate protective equipment when working on the SRS.

VI. SRS SYSTEM HEALTH CHECK



1. PERFORM A HEALTH CHECK

- Confirm the Techstream is connected to the dealership's internet.
- When launching the Techstream software the VIN **MUST** be entered manually.

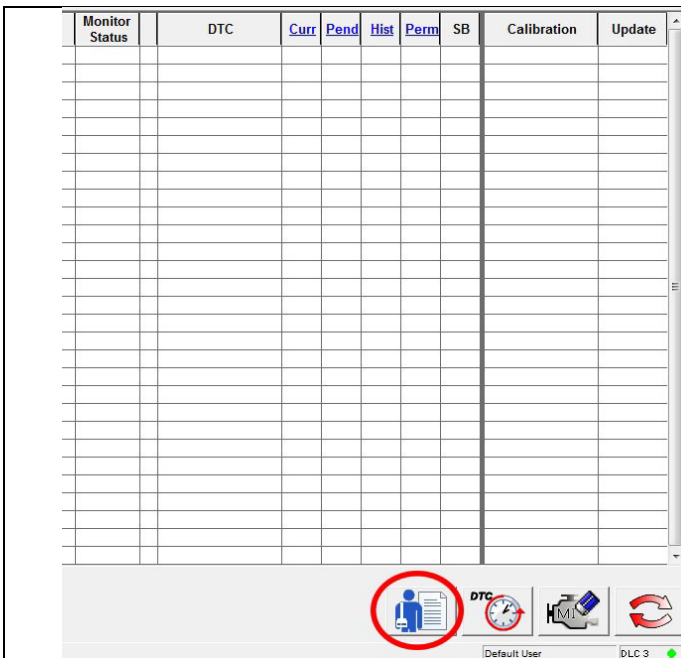
NOTE: All letters of the VIN MUST be entered in ALL CAPS, or the VIN will need to be reentered when running the diagnostic report.

- Perform a health check.

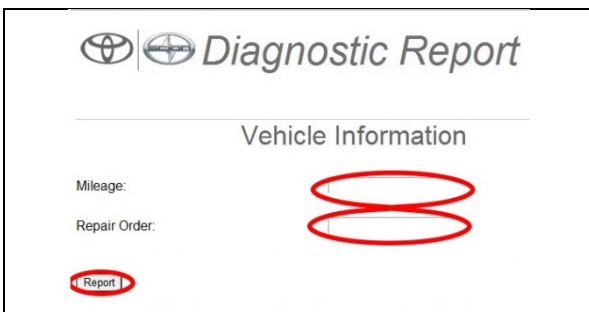
Note: The VIN may auto populate on the later model year vehicles, if this happens DO NOT change the VIN.

2. RUN A DIAGNOSTIC REPORT

- After the health check has completed, run a diagnostic report by clicking on the link on the health check screen.



NOTE: If the VIN was not entered in ALL CAPS when Techstream was launched, an error will be displayed and there will be a prompt to reenter the VIN



- Enter the vehicle mileage and repair order information, then click the 'report' button.



- The VIN MAY NEED to be entered manually in ALL CAPS when launching the Techstream software. The VIN MAY NOT auto-populate on vehicles prior to the 2006 MY.
- A health check and diagnostic report with VIN **MUST** be performed within the last 36 hours and recorded by TMS. If the diagnostic report is not run, the healthcheck will not be recognized by TMS.
- The serial number checker application will be disabled and the inspection cannot be completed if a health check and diagnostic report is not performed and recorded by TMS.

VII. WORK AREA PREPARATION

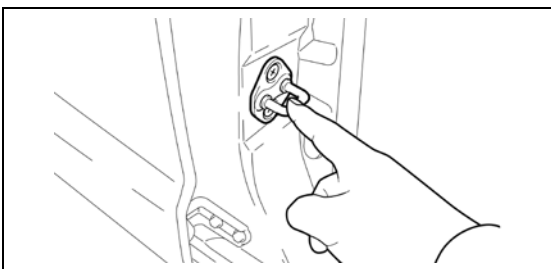
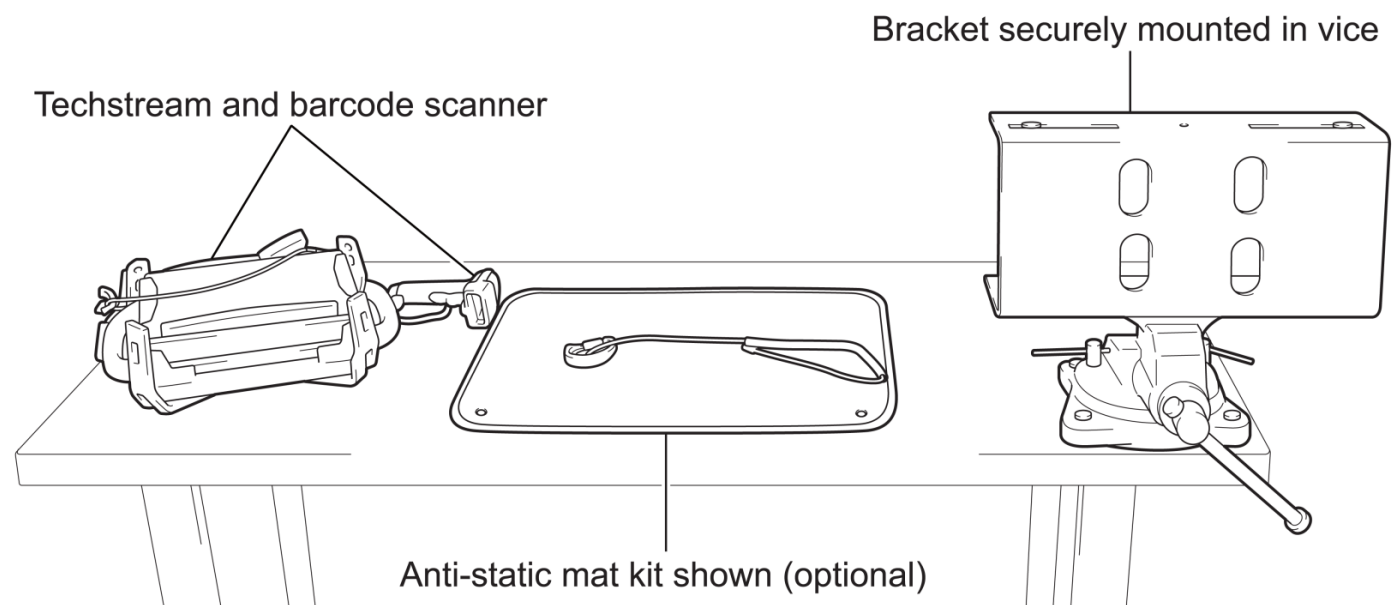
STOP

CRITICAL INFORMATION – READ THOROUGHLY

STOP

The bracket assembly that was provided at the launch of SSC D0F is a critical added-safety feature that **MUST** be used when replacing the inflator module. Confirm the bracket assembly is installed securely in the vise and confirm the work area being used is appropriate. The anti-static mat set that is an essential SST may be available at your dealership and is optional to use during inflator replacement. If the anti-static kit is not available, before starting work and periodically while working on the vehicle, touch a metallic part of the vehicle to discharge static electricity in the body.

Confirm there are no loose objects or people exposed to the back side of the bracket for safety in the unlikely event of airbag deployment due to improper work procedures (Remember that the inflator **IS NOT** being replaced due to an inadvertent deployment concern).



If the anti-static kit is not available, before starting work and periodically while working on the vehicle, touch a metallic part of the vehicle to discharge static electricity in the body.

VIII. FRONT PASSENGER AIRBAG ASSEMBLY REMOVAL

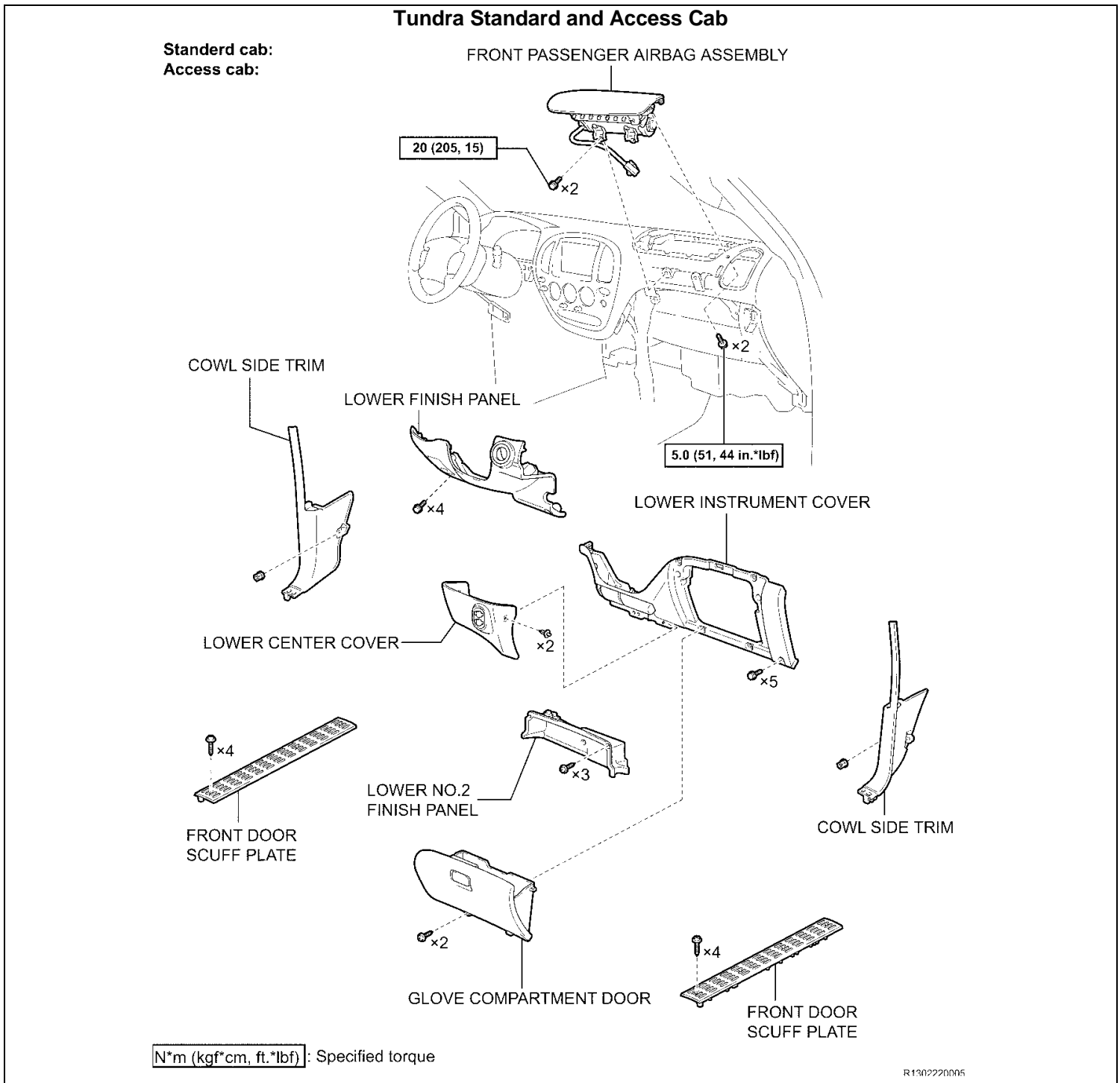
1. DISCONNECT THE NEGATIVE BATTERY CABLE



- Wait at least 90 seconds after disconnecting the cable from the negative battery terminal to prevent airbag and seat belt pre-tensioner deployment.
- Follow all precautions as outlined on TIS before servicing the SRS system.

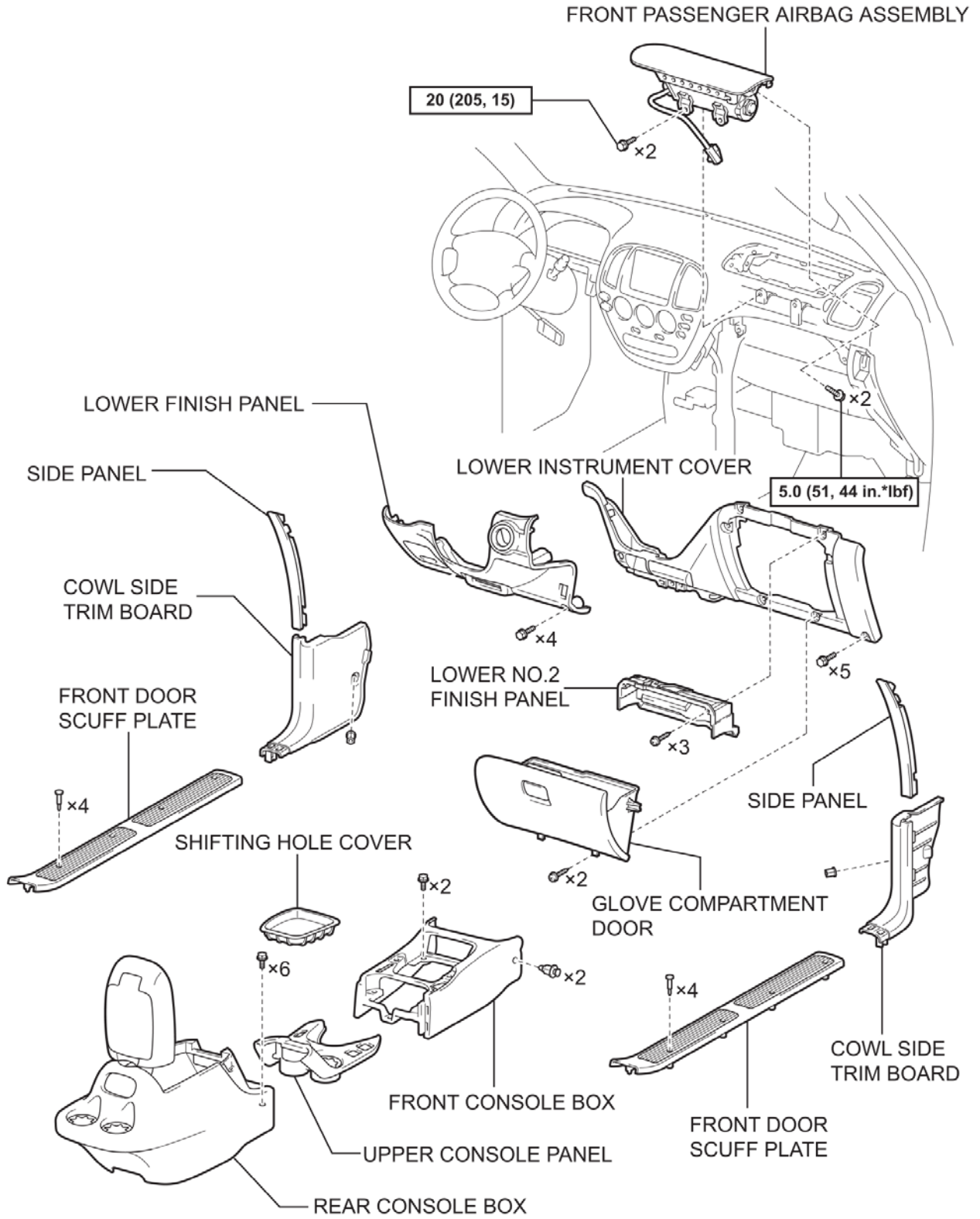
2. REMOVE THE PASSENGER AIRBAG ASSEMBLY

- Refer to TIS for instructions on airbag removal:
- [2003-2005](#) [2006](#)



Tundra Double Cab

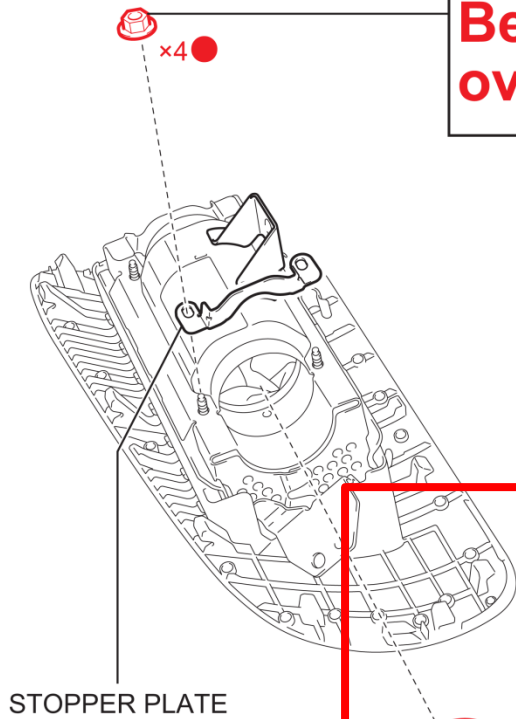
Double cab:



N*m (kgf*cm, ft.*lbf): Specified torque

R1302220006

**3.9 N·m (40, 35 in.*lbf)
Be careful not to
overtighten.**



Vehicle Front

● INSTRUMENT PANEL WIRE

STOPPER PLATE

● INFLATOR

● Replacement part

R1806210001

<Caution!>

The inflator wire harness has been connected to the new inflator.

Don't remove the wire harness from the inflator.

3. LAUNCH THE SERIAL NUMBER RECORDING APPLICATION



- The **AIRBAG ASSEMBLY, ORIGINAL INFLATOR, and NEW INFLATOR** serial numbers **MUST** be recorded using the barcode scanner (provided at the launch of SSC D0F).
- The barcode scanner application **MUST** be completed on every vehicle. These numbers **MUST** be included on every warranty claim that is submitted for inflator module replacement or the claim may be subject to debit.
- The technician performing the work **MUST** have valid TIS login credentials and an internet connection to perform the inspection and scanning process.

- a) Log in to TIS and input the VIN of the vehicle in the Vehicle Inquiry tab.
- b) Confirm the VIN is applicable and that the campaign has not been completed.
- c) Click on the link to be sent to the scanning application site.
- d) You can also log into the scanning site via the URL below

Log into the website via the URL below

<https://takata-scan-app.imagespm.info/>

User ID: Dealer Code

First time login password: xxxxx

The screenshot displays the Toyota TIS Vehicle Inquiry interface. At the top, navigation tabs include Home, TIS, TAS, PRS, and QAT. The 'Vehicle Inquiry' tab is active. A search box for the VIN is highlighted with a red circle and labeled 'a)'. The VIN entered is 1NX-BR32E-000000000. Below the search box, vehicle information is displayed in a table format:

| | | | |
|---|---|---------------------------------------|-----------------------|
| Division: TOYOTA | Model: Corolla | Grade: CE | Model Year: 2003 |
| Drive Type: 2WD | Body Type: 4Dr. Sedan | Engine Family: 4-cylinder - 1ZZ | Transmission: |
| Date of First Use: | Production Date: 01/18/2002 | Plant Code: Z - FREMONT PLANT - NUMN] | |
| VIN: 1NX-BR32E-000000000 | Standard Equipment: Click here to display | | |
| Exterior Color: 03MS, SANDRIFT METALLIC | Interior Color: FA41, FA41 | Interior Trim Color: FA, * | Interior Fabric: F, * |

Below the vehicle information, there are tabs for Campaign, Service History, Warranty, DTC History, and Diagnostic Report. The 'Service Campaign' section is expanded, showing a description: 'Safety Recall D0F Remedy Notice - 2003-2004 Model Year Corolla, Corolla Matrix, Sequoia, and Tundra Vehicles, 2002-2003 Model Year Vehicles Front Passenger Airbag Inflator Module'. The 'Completion Status' is 'Not Completed' and is circled in red with a red circle and labeled 'b)'. A link to 'Check applicability for VIN' is also circled in red with a red circle and labeled 'c)'. The footer of the page includes '© 2013 Toyota Motor Sales, Inc.' and 'Feedback | Privacy | Legal'.

Login

Complete all required (*) fields below.

*** User ID (enter your 5-digit dealer code, or 6-digit for Canadian dealers eg. Cnnnnn format):**

*** Password:**

Login

[Forgot Password?](#)

Technician Information

Please provide information below before searching for VIN.

Technician Name:

SPIN ID (12 digit code):

Search

a) Enter your name and SPIN ID into the site

Enter VIN

Enter the 17-digit Vehicle Identification Number to begin the search for this campaign.

VIN:

Mileage on Vehicle:

Search

b) Enter the VIN and vehicle mileage into the site

4. CONNECT THE BARCODE SCANNER

- Connect the barcode scanner to the USB port on the Techstream.
- The scanner will automatically connect and a beep will be heard when the scanner is ready.

NOTE:

- The scanner was originally provided for SSC D0F.
- The barcode scanner works best in low light conditions.
- Always hold the scanner directly in front of and parallel to the barcode label.

5. SCAN THE AIRBAG SERIAL NUMBER

ATTENTION: This information is **CRITICAL**

- a) Scan the **AIRBAG ASSEMBLY** serial number 2 times.
 - 1) Confirm the cursor is in the first serial number box then scan the serial.
 - 2) Position the cursor in the second serial number box then scan the serial.
- b) Click next.

NOTE:

- If both serial numbers that are entered do not match, confirm and reenter.
- If the serial number barcode will not scan, it can be entered manually.

AIRBAG SERIAL NUMBER IDENTIFICATION

- The airbag serial number is **ALWAYS** the **12 DIGITS** located between the asterisks.
- The 3 digits before the asterisk **ARE NOT** part of the serial number, and **SHOULD NOT** be entered or an inaccurate response may be returned.

Airbag Serial Number Label Example



The **AIRBAG ASSEMBLY** serial number and the **INFLATOR** serial number are **DIFFERENT**. The **AIRBAG ASSEMBLY** serial number **MUST** be recorded prior to replacement.

ORIGINAL Airbag Assembly Serial Number

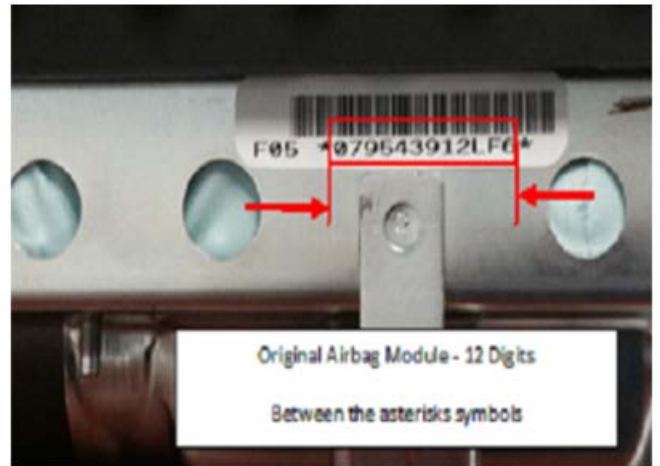
Scan or enter the **original** Airbag Assembly serial number into the website.

VIN:
Model / Campaign:

* Serial Number of *Original Airbag Assembly*:

* Re-confirm the Serial Number of *Original Airbag Assembly*:

Check if the airbag serial number is missing or not visible, or if installing a new airbag assembly



AIRBAG ASSEMBLY SCANNING (FOR 2005-2006 TUNDRA) OR AIRBAG SERIAL NUMBER IS MISSING OR IS UNREADABLE

***NOTE:** Skip this section and jump to Section IX if working on a 2003-2004 or the airbag assembly is scannable*



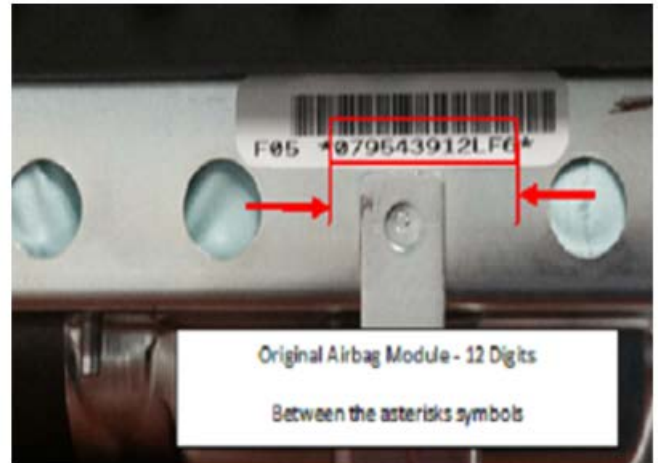
If the airbag serial number and barcode are not legible or are not present, check the box in the application indicating the serial number is not legible and contact your regional representative.

a) If the airbag serial number cannot be scanned or is not present check the box as shown below.

ORIGINAL Airbag Assembly Serial Number

Scan or enter the **original** Airbag Assembly serial number into the website.

VIN:
Model / Campaign:
* Serial Number of *Original* Airbag Assembly:
* Re-confirm the Serial Number of *Original* Airbag Assembly:
 Check if the airbag serial number is missing or not visible, or if installing a new airbag assembly
Search



Checking this box requires Air Bag Assembly replacement.

****Note**** Contact your region in the event that you are unable to read the serial number.
DO NOT ATTEMPT TO INSTALL INFLATOR

b) After the Region approves the Airbag Assembly replacement and the new part is received, scan the NEW airbag barcode in the Serial Number Recording Application.

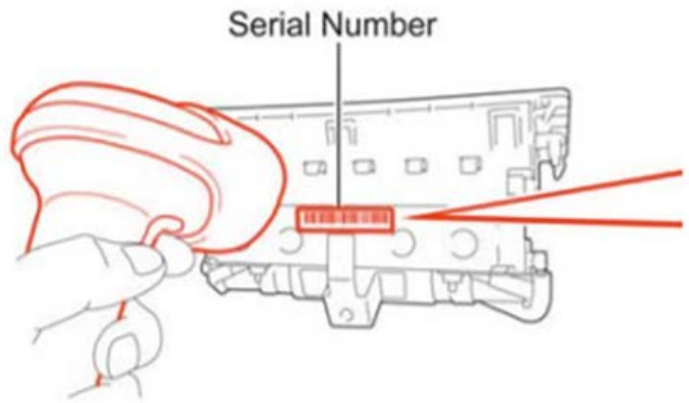
NEW Serial Number

Scan or enter the **new** Airbag Assembly Serial Number into the website.

VIN:

* Serial Number of New Airbag Assembly:

* Re-confirm the Serial Number of New Airbag Assembly:



The new **AIRBAG ASSEMBLY** serial number **MUST** be recorded prior to reinstallation to track the airbag assembly to the vehicle.

Skip to Section X If a new airbag assembly was installed instead of an inflator

IX. INFLATOR REPLACEMENT ONLY FOR 2003-2004 MY TUNDRA

STOP

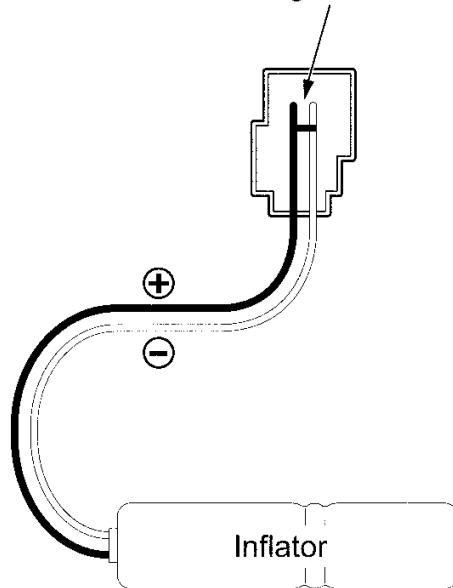
CRITICAL INFORMATION – READ THOROUGHLY

STOP

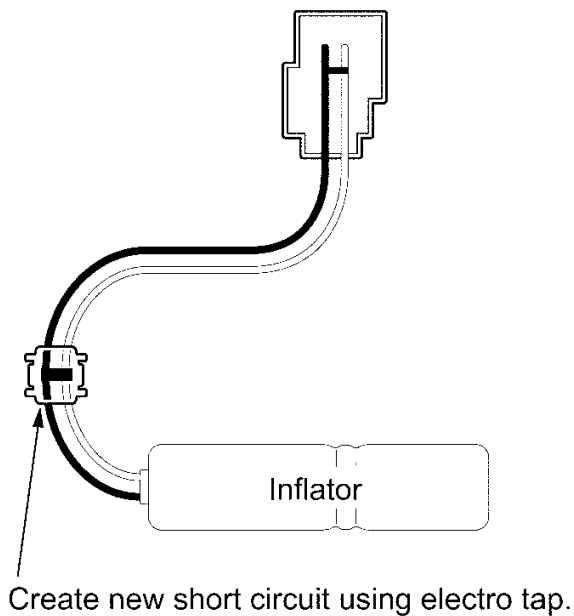
The connector of the inflator module contains a short circuiting mechanism to eliminate voltage variances when the connector(1) is disconnected. To allow for the replacement of the inflator module, a new short circuit(2) *MUST* be created before cutting the wires(3) and removing the inflator. The following steps *MUST* be followed exactly as described to ensure the work is completed correctly and safely.

(1)

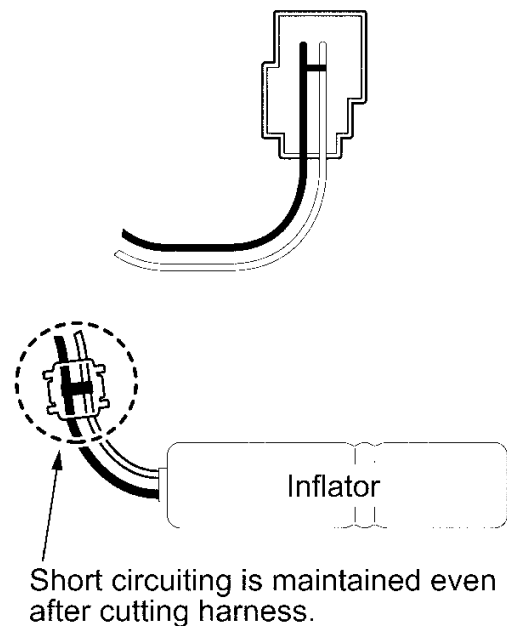
Short circuiting on both sides.

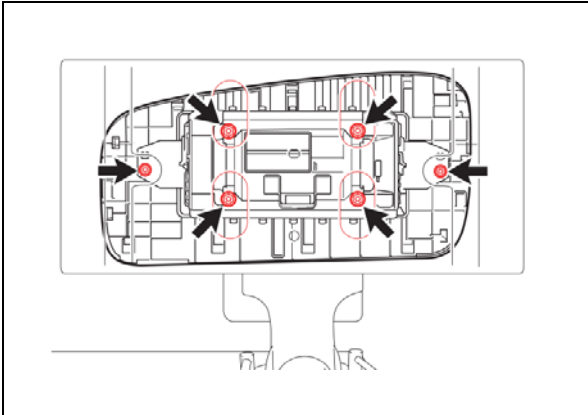
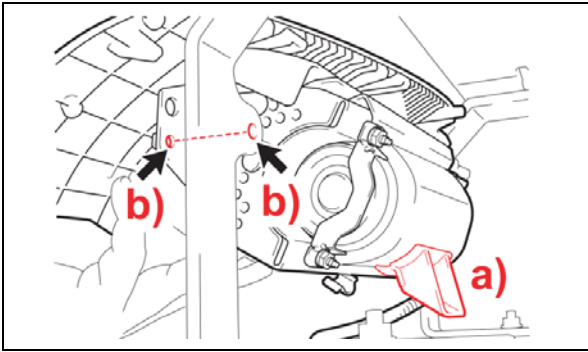


(2)



(3)





1. MOUNT THE AIRBAG IN THE MOUNTING BRACKET

- a) Position the airbag assembly so that the center mounting bracket is facing towards the ground.
- b) Install the airbag to the support bars with the bolts supplied in the bracket kit.

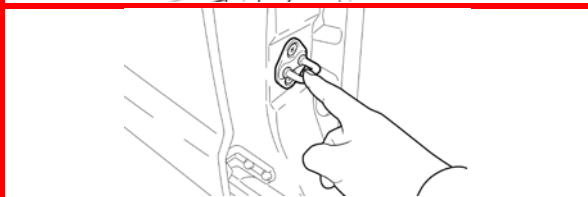
NOTE: The airbag assembly will only fit on the support brackets one way.

- c) Position the airbag so that all four stopper plate nuts can be removed through the access holes.
- d) Tighten the bolts holding the support bars to the mounting bracket.
- e) Confirm the following:
 - Mounting bracket is secure in the vise.
 - Airbag is secure in the support bars.
 - The center mounting bracket on the airbag assembly is facing downward.
 - Support bars are secure on the mounting bracket using 1 bolt/nut at the top of each support bar and 2 nuts/bolts at the bottom of each support bar.

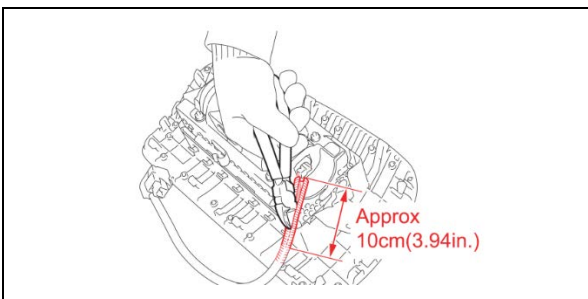
STOP CRITICAL INFORMATION – READ THOROUGHLY STOP



ALWAYS keep as much of your body as possible in front of the bracket when working on the airbag assembly.



Remember to periodically touch a metallic part of the vehicle to discharge static electricity in the body if the anti-static kit is not being used.

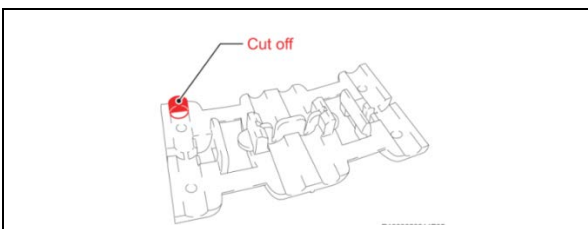


2. PREPARE TO INSTALL THE SHORT CIRCUIT

- a) Cut the yellow corrugated tube on the harness approximately 4 inches (10 cm) using nippers.



- **DO NOT** damage the wires in the tube.
- **DO NOT** use a knife or razor blade to cut the tube to avoid damaging the wires.
- This may be performed on either end of the inflator.

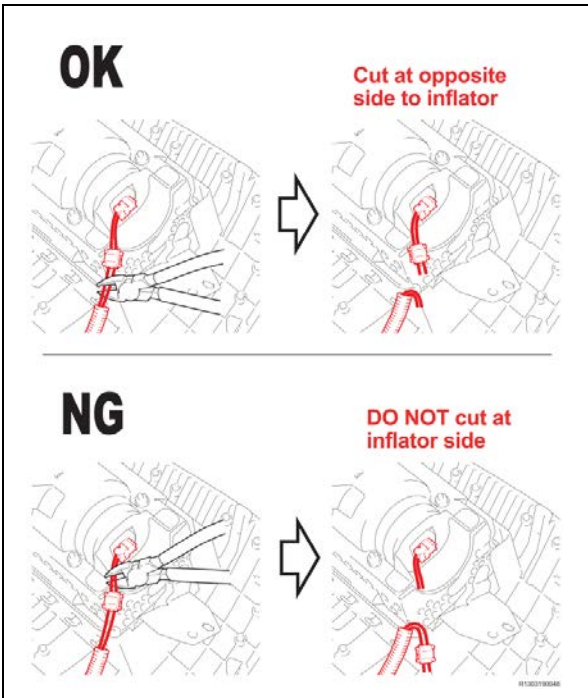
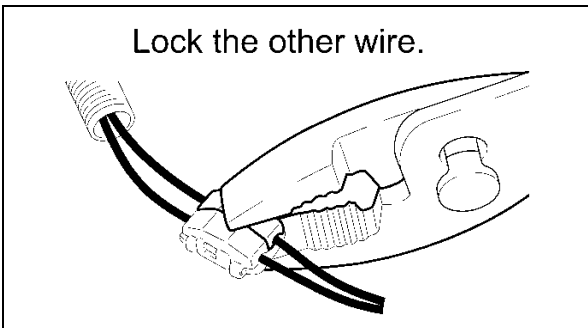
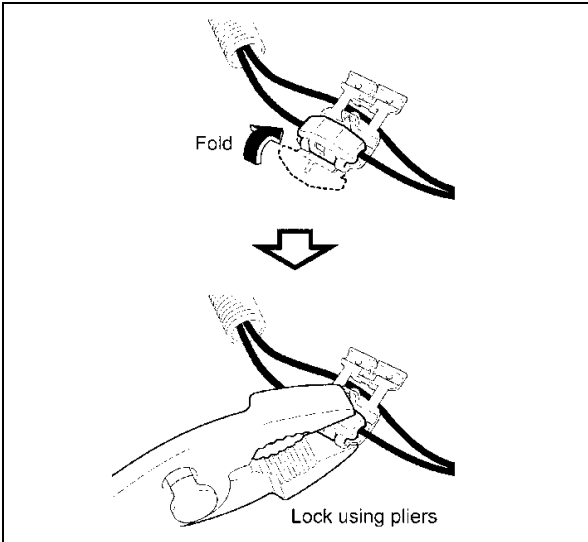
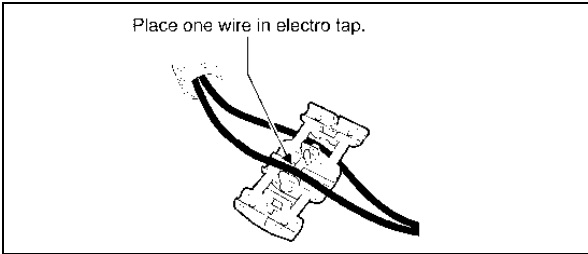


- b) Cut off the tab of the electro tap shown in the illustration.

NOTE: The electro tap is included in the inflator parts kit.



This tab **MUST** be removed to ensure a good short.



3. CREATE A NEW SHORT CIRCUIT IN THE INFLATOR HARNESS

a) Place one wire in the electro tap as shown in the illustration.

b) Fold and pinch the half of the electro tap with the wire and use pliers to lock the electro tap.

NOTE:

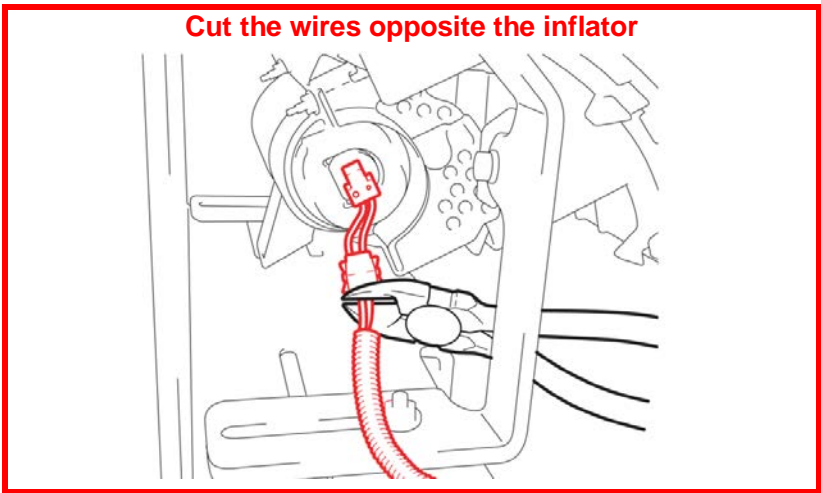
- **DO NOT** work on both wires at the same time to avoid errors.
- Pliers **MUST** be used to confirm the electro tap is firmly locked in place.

c) Set the other wire in the electro tap and lock it in place using pliers.

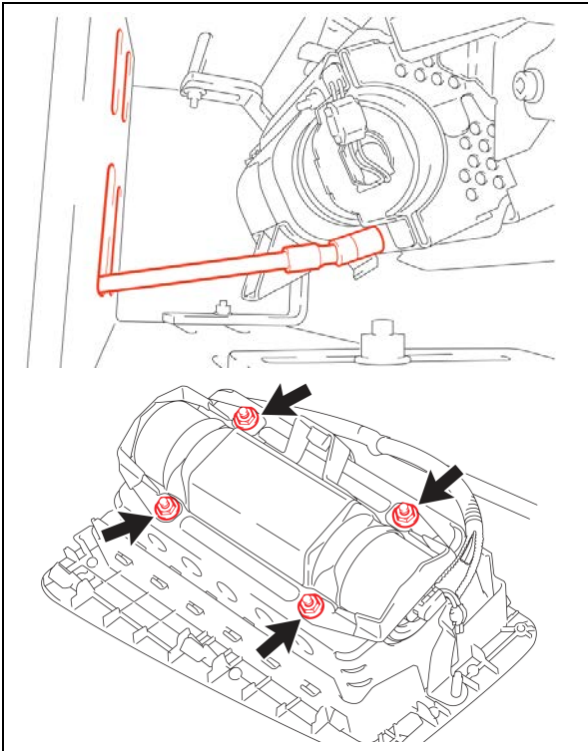
STOP DO NOT measure resistance of the inflator wires, this may cause accidental activation.

4. CUT THE INFLATOR WIRES

a) Cut the 2 wires at the side of the electro tap that is farthest away from the inflator.



STOP DO NOT measure resistance of the inflator wires, this may cause accidental activation.

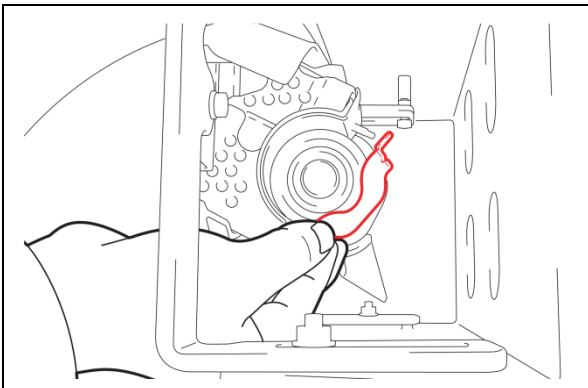


5. REMOVE THE SELF LOCKING NUTS

a) Use the access holes in the bracket to remove the 4 nuts.

NOTE:

- **DO NOT** use power tools.
- The bracket support bars may need to be repositioned to remove the nuts through the access holes.

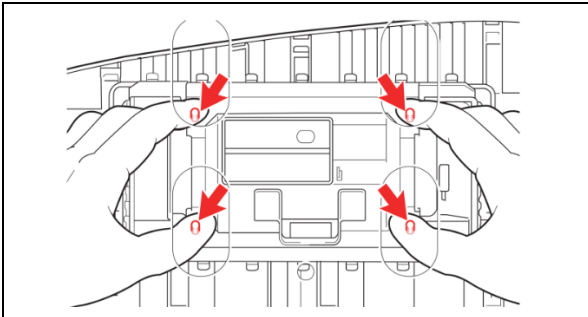


b) Remove the stopper plate and place in a secure location because it will be reused.

STOP **DO NOT** discard the Stopper Plate, it will be reused.

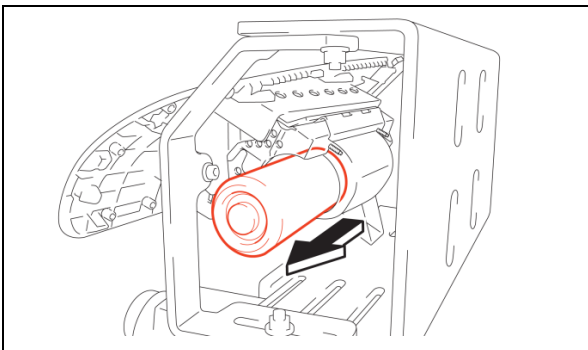
c) Discard the 4 nuts as they are not to be reused.

NOTE: DO NOT reuse the old nuts, new nuts **MUST** be used.



6. REMOVE THE INFLATOR

a) Gently push in the 4 studs to loosen the inflator for removal.



b) Remove the inflator from the airbag assembly and place it on a safe work surface.



ENSURE YOU ENTER BOTH THE OLD AND NEW INFLATOR SERIAL NUMBERS IN THE APPROPRIATE SPOT OF THE APPLICATION



7. SCAN THE OLD AND NEW INFLATOR SERIAL NUMBER

- a) Scan the **OLD** inflator serial number and mark the old inflator so that it will not be reused.
- b) Scan the **NEW** inflator serial number.

ATTENTION: This information is **CRITICAL**

- It is used to confirm the correct inflator is removed from the vehicle.
- It is recorded by TMS to trace the return parts shipment.
- It is used to track the new inflator that is being installed in the vehicle.

ORIGINAL Inflator Serial Number

Scan or enter the **original** Inflator serial number into the website.

VIN: 2T1BR32E57C810829
 Model / Campaign: 2007 Corolla / E04

* Serial Number of **Original** Inflator:

* Re-confirm the Serial Number of **Original** Inflator:

Check if the inflator serial number is missing or not visible, OR if installing a new airbag assembly

Search



REPLACEMENT Inflator Serial Number

Scan or enter the **replacement** Inflator serial number into the website.

VIN: 2T1BR32E57C810829
 Model / Campaign: 2007 Corolla / E04

* Serial Number of **Replacement** Inflator:

* Re-confirm the Serial Number of **Replacement** Inflator:

Search



c) If the inflator serial number cannot be scanned or is not present check the box as shown below.

ORIGINAL Inflator Serial Number

Scan or enter the *original* Inflator serial number into the website.

VIN: 2T1BR32E57C810829
Model / Campaign: 2007 Corolla / E04

* Serial Number of Original Inflator:

* Re-confirm the Serial Number of Original Inflator:

Check if the inflator serial number is missing or not visible, OR if installing a new airbag assembly



Checking this box requires Air Bag Assembly replacement.

****Note** Contact your region in the event
that you are unable to read the serial number.
DO NOT ATTEMPT TO INSTALL INFLATOR**

- d) Confirm agreement by checking the two boxes.
- e) Record the Warranty Authorization # to be included in the warranty claim.
- f) Place the old inflator in the parts box and take it immediately to the parts department.

NOTE:

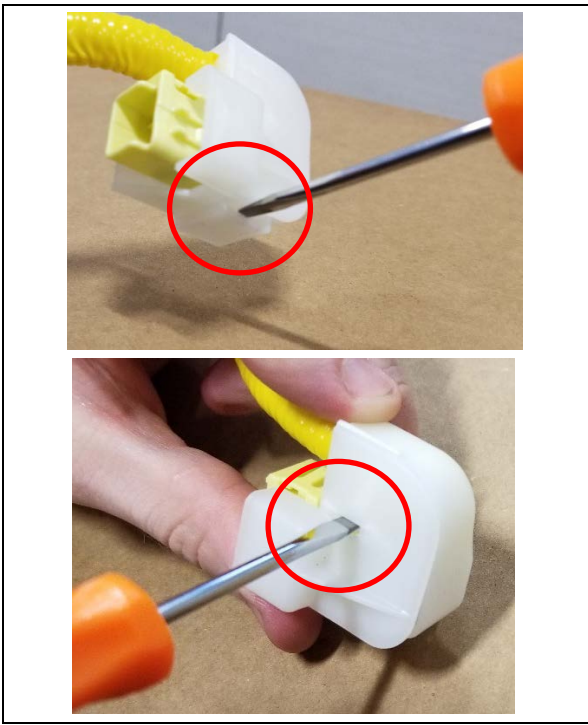
- Confirm the cursor is in the correct serial number input box before scanning.
- If the serial number barcode will not scan, it can be entered manually.
- If there are any difficulties or concerns with this process, email quality_compliance@toyota.com with details.

Step e)

Takata Scan App (TEST v2) Final Results

You can [Print Screen](#) or [Search Another VIN](#).

| | |
|---------------------------------------|---|
| Results: | Inflator Replacement Required |
| Warranty Authorization Number: | 77515K46 <small>This number is required for the warranty claim. Print and save this screen for your records</small> |
| VIN: | 2T1BR32E57C810829 |
| Vehicle: | 2007 Corolla |
| Campaign: | E04 |
| Original Airbag Serial: | 123456789K12 |
| Replacement Airbag Serial: | |
| Original Inflator Serial: | W0123456789 |
| Replacement Inflator Serial: | W0123456789 |
| Scan Date: | 12/22/2020 08:47AM (mm/dd/yyyy) |

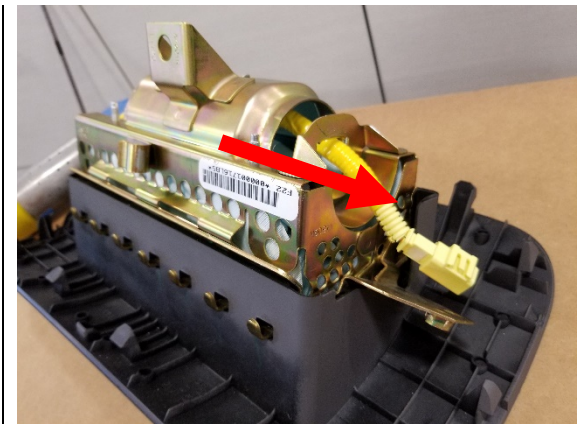


8. REMOVE NEW INFLATOR CONNECTOR COVER

- a) Carefully use a pocket screwdriver to disengage the first release tab as shown in the image
- b) Carefully use a pocket screwdriver to disengage the second release tab as shown in the image

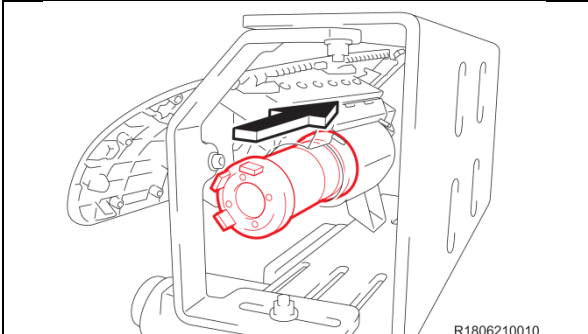


- c) Open the connector cover. Once open carefully use a pocket screwdriver to disengage the release tab and remove the connector cover from the connector

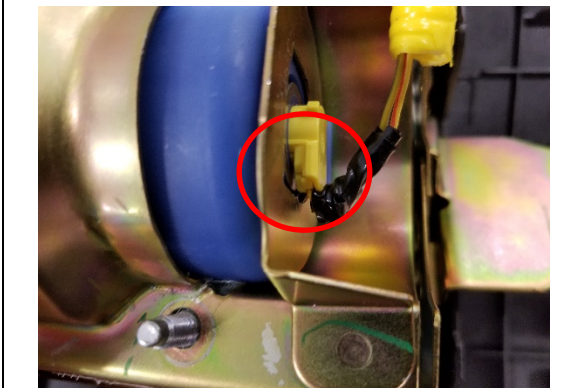


9. INSTALL THE NEW INFLATOR

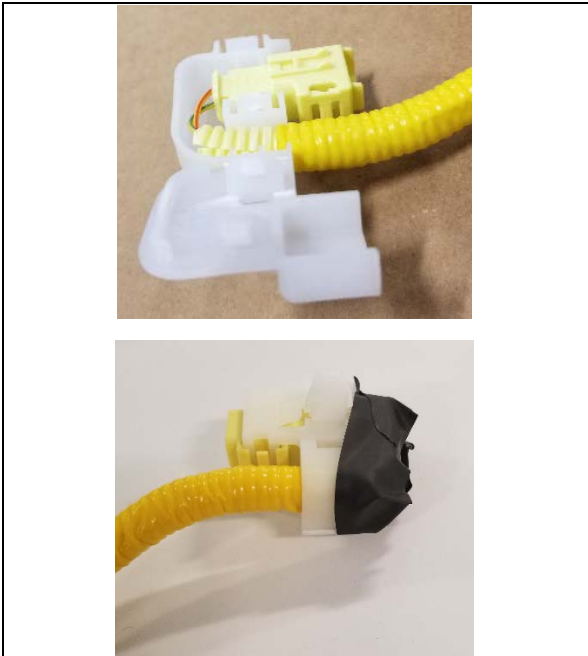
- a) Route the inflator wire harness through the stopper plate



- b) Carefully slide the new inflator into the airbag assembly.



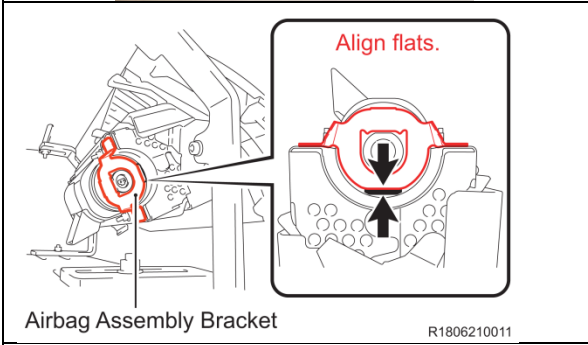
- c) Confirm the harness is not pinched by the stopper plate



10. REINSTALL THE INFLATOR CONNECTOR COVER

- d) Install the connector into the connector cover. Ensure the release tab on the connector is engaged into the connector cover.
- e) Once the connector is installed into the connector cover, close the connector cover over the connector.

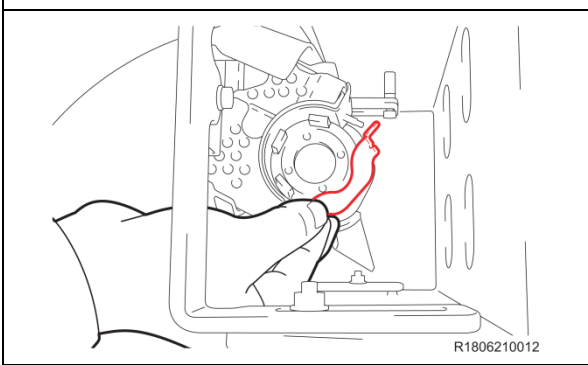
- f) Wrap electrical tape around the connector to prevent the connector from opening.



11. CONFIRM THE INFLATOR ALIGNMENT

- a) Align the flat on the inflator with the flat on the airbag assembly bracket.

STOP Confirm the flats on the airbag assembly and inflator are aligned.

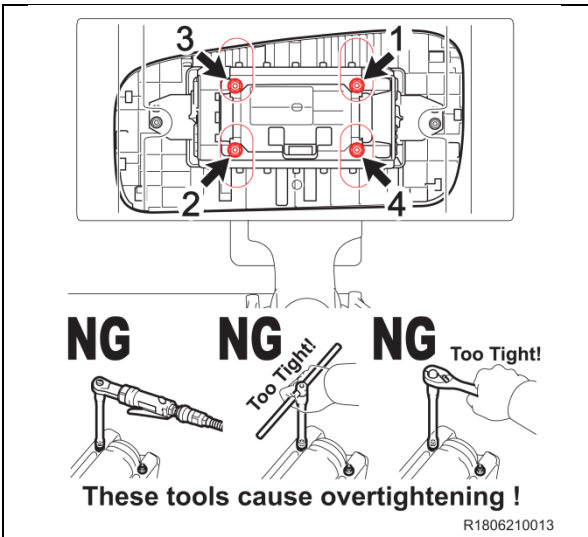


12. REINSTALL THE STOPPER PLATE.

- g) Place the stopper plate on the airbag assembly.

STOP The inflator stopper plate is reused at this step; a new one is not included in the inflator kit.

- h) Install stopper plate nuts (**NEW**) by hand. They will be torqued on a later step.
- i) Install the **NEW** nuts on the airbag assembly bracket by hand. They will be torqued on a later step.



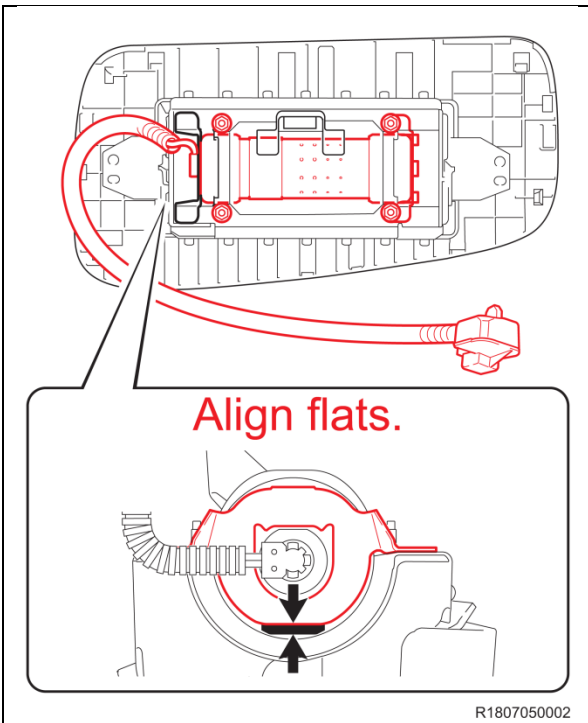
13. TORQUE THE PLATE NUTS

- a) Tighten the nuts evenly in two increments following the sequence shown in the illustration. Use a socket driver or torque wrench to tighten the nuts.

Torque: 35in. lbf (3.9N·m)

STOP

- There will be some resistance when tightening the nuts because they are self-locking, confirm the nuts are tightened correctly.
- **DO NOT** use a power tool, T-handle, or ratchet when tightening the nuts to avoid over torqueing.



14. REMOVE THE AIRBAG ASSEMBLY FROM THE BRACKET

- a) Remove the two bolts and the airbag assembly, then place the assembly on a cloth or the anti-static mat if it being used.

15. INSPECT THE AIRBAG BEFORE INSTALLATION

- a) Confirm that the 4 **NEW** nuts are installed and tight.
- b) Confirm the stopper plate is reinstalled.
- c) Confirm the flats on the airbag assembly bracket and inflator are aligned.
- d) Confirm the inflator harness connector is secure and installed in the correct direction.
- e) Confirm that the harness is engaged in the clamp.

X. FRONT PASSENGER AIRBAG ASSEMBLY INSTALLATION

1. REINSTALL THE AIRBAG ASSEMBLY

Note: During reinstallation of the airbag assembly, ensure the 12mm bolt and two 10mm nuts securing the airbag assembly to the instrument panel are installed and torqued to the required specification identified on TIS.

- c) Refer to TIS for instructions on airbag installation:
[2003-2005](#) [2006](#)

2. RECONNECT THE NEGATIVE BATTERY CABLE

3. PERFORM A HEALTH CHECK AND DIAGNOSTIC REPORT

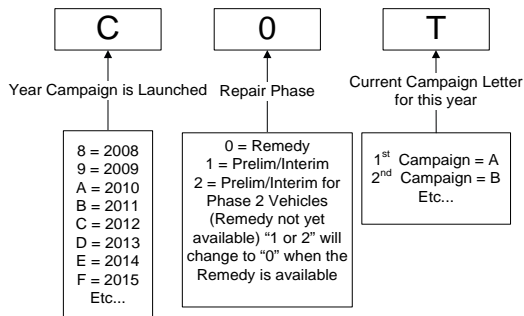
NOTE: Enter the VIN when performing the health check in order for the data to be recorded by TMS.

◀ VERIFY REPAIR QUALITY ▶

- Confirm all precautions are followed to ensure safety during the repair
 - Confirm the entire serial number checker application is completed and the warranty authorization # is recorded on **EVERY** vehicle
 - Confirm the old inflator is handled safely and given to the appropriate parts professional for shipment
 - Confirm the inflator harness connector is fully engaged and that the stopper plate is installed correctly
- If you have any questions regarding this update, please contact your area representative.

XI. APPENDIX

A. CAMPAIGN DESIGNATION DECODER



B. CAMPAIGN PARTS DISPOSAL

ALL inflators that are removed from vehicles under this campaign **MUST** be packaged and shipped back to the inflator manufacturer following the manufacturer's instructions. The instructions can be found in the following locations:

- Attached to the dealer letter