

INSTRUCTIONS:

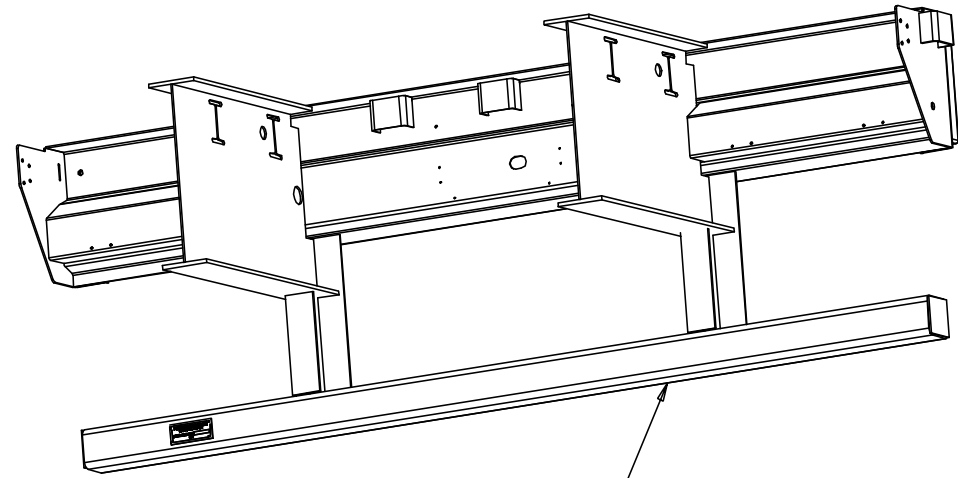
- CUT THE CHANNEL BUMPER LOOSE FROM THE VERTICAL RISERS. THE BUMPER RISER FLANGE, THAT IS CLOSEST TO THE TRAILER AXLES, WILL ALSO BE TRIMMED. MAKE CUT FLUSH WITH THE TOP OF THE CHANNEL, TAKING CARE NOT TO DAMAGE THE RISER WEB OR REARMOST RISER FLANGE.

INSTRUCTIONS CONTINUED ON PAGE 2.

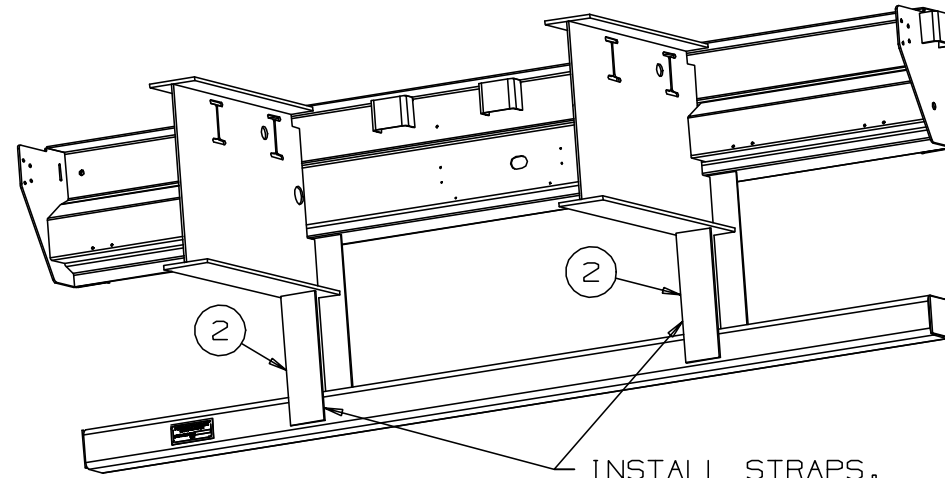
DO NOT SCALE DRAWING		TOLERANCES UNLESS OTHERWISE SPECIFIED		DRAWN BY KT		DATE 8/31/18		FONTAINE TRAILER CO. HALEYVILLE, AL		PRINTED OR COPIED DOCUMENT IS UNCONTROLLED DOCUMENT UNLESS STAMPED ORIGINAL	
DIMENSIONS ADHERE TO: ASME Y14.5M-1994		FRACTIONS: ± 1/8		CHECKED BY		DATE		SIZE: B SCALE: ***		SHEET: 1 OF 3	
THIRD ANGLE PROJECTION		DECIMALS: ± .06		APPROVED BY		DATE		DRAWING NUMBER W0000336		REV. 0	
		HOLES: ± .010						TITLE: BUMPER REPLACEMENT PROCEDURE			
		ANGLES: ± 2°									
		UNITS OF DIMENSION ARE: INCHES									

THIS DOCUMENT REMAINS PROPERTY OF FONTAINE TRAILER COMPANY. ITS CONTENTS ARE CONFIDENTIAL AND PROPRIETARY. DO NOT REPRODUCE, USE OR DISCLOSE ANY INFORMATION WITHOUT WRITTEN CONSENT FROM FONTAINE TRAILER COMPANY.

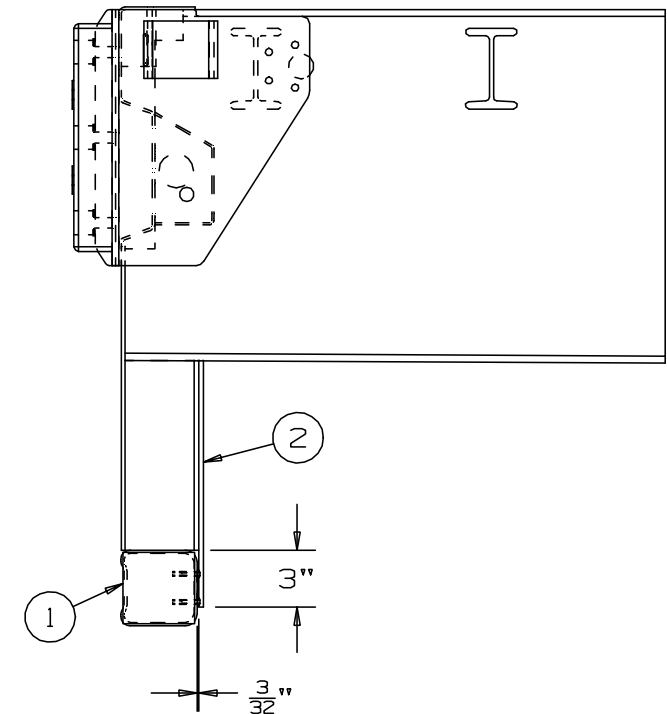
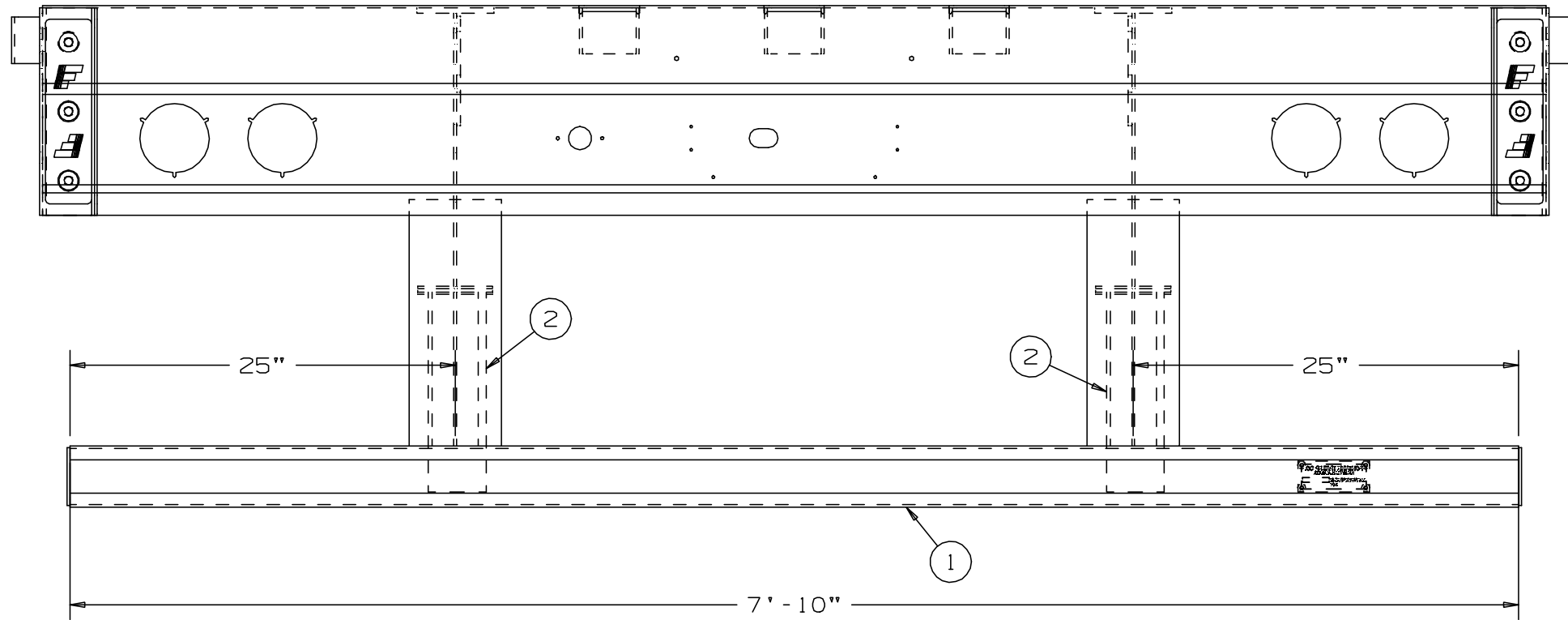
ITEM	PART NO	DESCRIPTION	QTY
1	01590200	BUMPER ASY.	1
2	02099532	PLATE, .25"	2



INSTALL NEW BUMPER ONTO EXISTING RISERS.



INSTALL STRAPS. CENTER STRAPS OVER EXISTING RISER AND WELD PER DETAIL.

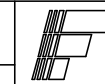


INSTRUCTIONS (CONTINUED)

2. POSITION THE BUMPER TUBE (01590200) ONTO THE BOTTOM OF THE UPRIGHTS. LEAVE APPROX. 3/32" HORIZONTAL GAP BETWEEN THE EXISTING RISER (CLOSEST TO AXLES) AND THE BUMPER. TACK THE BUMPER IN PLACE.
3. ADD 1/4" X 4" X 13" STRAP (02099532) TO EACH VERTICAL RISER OVERLAPPING THE TUBE (APPROX. 3"). WELD TUBE AND STRAP CONTINUOUS TO VERTICAL UPRIGHTS.
4. TOUCH UP PAINT.
5. ADD CONSPICUITY TAPE (51457019) IN THE CONCAVED AREA OF THE BUMPER, FULL WIDTH.
6. CONFIRM DOT NAMEPLATE IS ATTACHED TO FRONT SIDE (CLOSEST TO AXLES) OF BUMPER ON CURBSIDE.

DO NOT SCALE DRAWING	TOLERANCES UNLESS OTHERWISE SPECIFIED	DRAWN BY	DATE
DIMENSIONS ADHERE TO: ASME Y14.5M-1994	FRACTIONS: ± 1/8 DECIMALS: ± .06 HOLES: ± .005 ANGLES: ± 2° UNITS OF DIMENSION ARE: INCHES	KT	8/31/18
THIRD ANGLE PROJECTION		CHECKED BY	DATE
		APPROVED BY	DATE

REV.	CR*	DESCRIPTION	BY	DATE



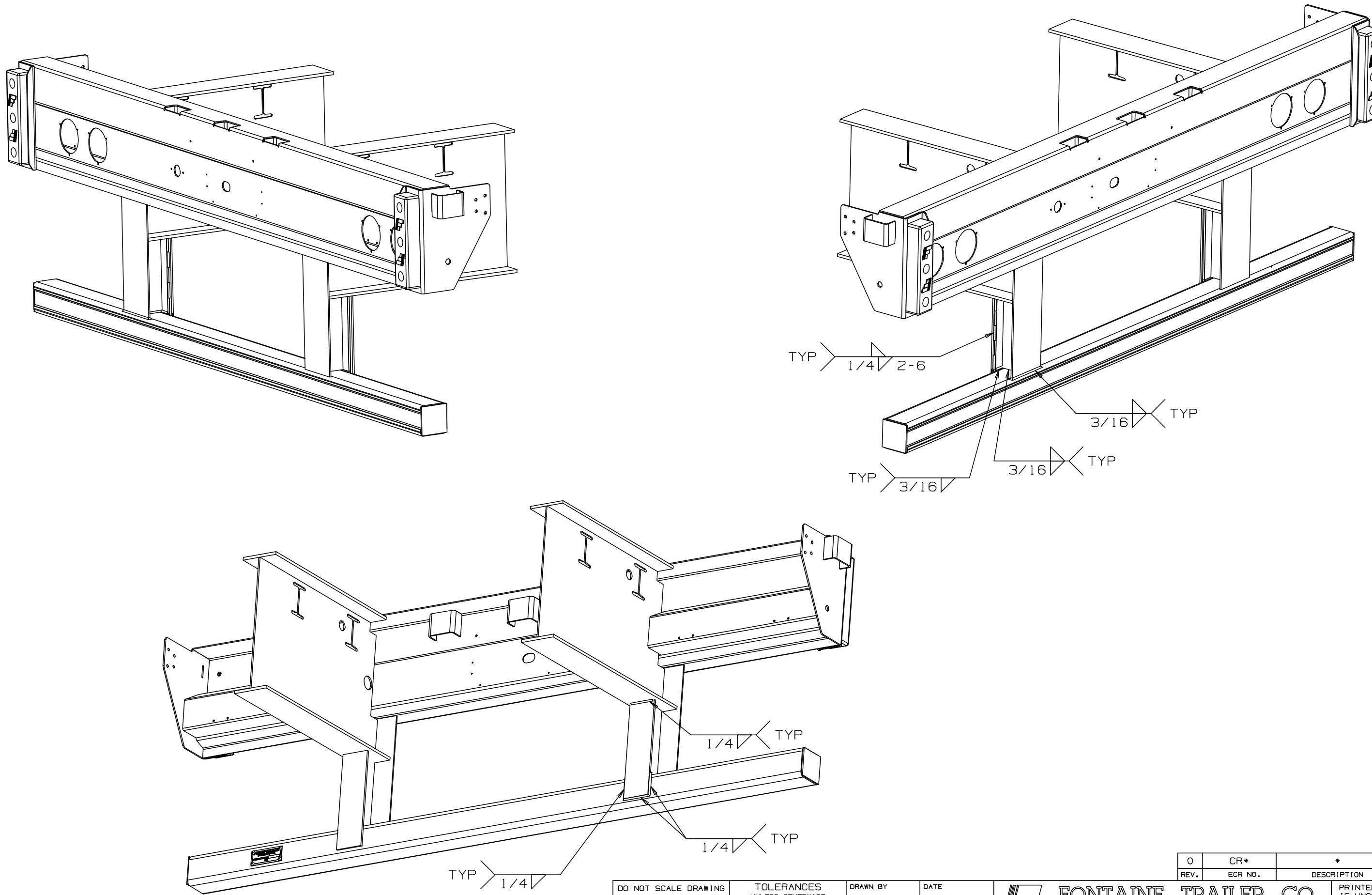
FONTAINE TRAILER CO.
HALEYVILLE, AL

TITLE:

BUMPER REPLACEMENT PROCEDURE

PRINTED OR COPIED DOCUMENT IS UNCONTROLLED DOCUMENT UNLESS STAMPED ORIGINAL		
SIZE: A	SCALE: ***	SHEET: 2 OF 3
DRAWING NUMBER W0000336		REV. 0

THIS DOCUMENT REMAINS PROPERTY OF FONTAINE TRAILER COMPANY. ITS CONTENTS ARE CONFIDENTIAL AND PROPRIETARY. DO NOT REPRODUCE, USE OR DISCLOSE ANY INFORMATION WITHOUT WRITTEN CONSENT FROM FONTAINE TRAILER COMPANY.



DO NOT SCALE DRAWING
 DIMENSIONS ADHERE TO:
 ASME Y14.5M-1994
 THIRD ANGLE PROJECTION

TOLERANCES UNLESS OTHERWISE SPECIFIED
 FRACTIONS: $\pm \frac{1}{16}$
 DECIMALS: $\pm .06$
 HOLES: $\pm .010$
 ANGLES: $\pm 2^\circ$
 UNITS OF DIMENSION ARE: INCHES

DRAWN BY: KT
 CHECKED BY:
 APPROVED BY:

DATE: 8/31/18
 DATE:
 DATE:

FONTAINE TRAILER CO.
 HALEYVILLE, AL
 TITLE: BUMPER REPLACEMENT PROCEDURE

REV.	DESCRIPTION	BY	DATE
0	CR*	*	*

PRINTED OR COPIED DOCUMENT IS UNCONTROLLED DOCUMENT UNLESS STAMPED ORIGINAL		
SIZE: B	SCALE: ***	SHEET: 3 OF 3
DRAWING NUMBER: W0000336	REV.: 0	