



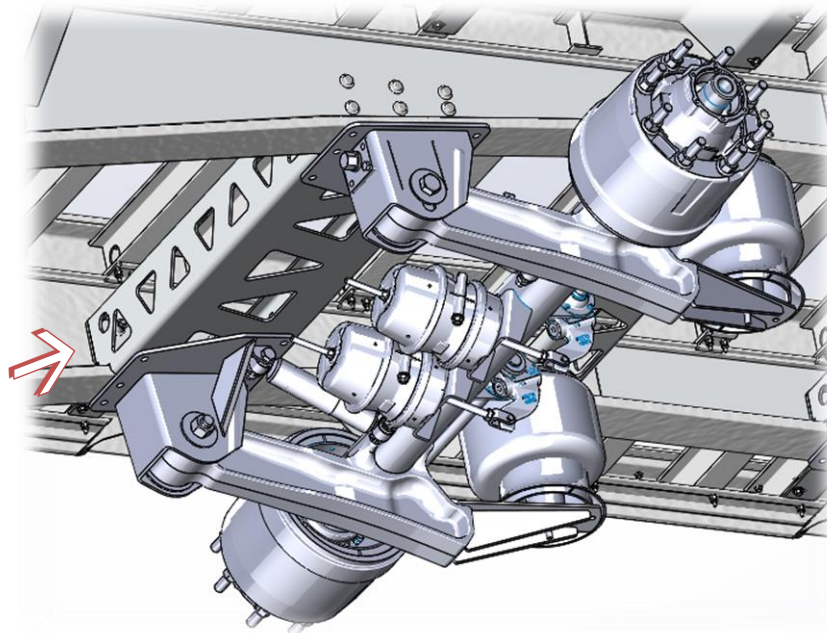
## TRAIL KING Industries, Inc.

Inspect aluminum cross-members above each fixed axle suspension. All cracks will need to be evaluated by Trail King customer service to determine repair.

- The pictures below shows possible cracking on the aluminum cross-members along the inside of the main beam webs.



- The picture below shows possible cracking on the aluminum cross-members at the locations of the suspension mounting plate.



If your trailer has a slide pan, above criteria will only be on the fixed axle. All others axle combinations, review each fixed axle.