

September 13, 2018

Version 3

Safety Recall: 2017-18 NSX Fuel Tank Product Update: 2017 NSX Thermostat

Supersedes 18-050, dated September 12, 2018, to revise the information highlighted in **yellow**

AFFECTED VEHICLES

Year	Model	Trim	VIN Range
2017-18	NSX	ALL	Check the iN VIN status for eligibility.

REVISION SUMMARY

AFFECTED VEHICLES added.

Under **WARRANTY CLAIM INFORMATION**, information was added about claiming alignment shims.

Under **TOOL INFORMATION**, a tool was added.

Under **REPAIR PROCEDURE**, additional steps were added.

BACKGROUND

The safety recall portion of this bulletin refers to the welds in the fuel tank for the crossover pipe that are improperly sealed. Clients may notice a strong fuel smell.

There is additionally a product update portion that refers to the thermostat inner seal that detaches and allows the thermostat to be held open. This causes the coolant temperature to increase higher than the expected rate which causes the MIL to come on with DTC P0128 (cooling system malfunction).

California residents only: This safety recall also affects emissions. Have the service consultant give the certificate to the client as proof that both the recall was completed.

CLIENT NOTIFICATION

Owners of affected vehicles will be sent a notification of this campaign.

Do an iN VIN status inquiry to make sure the vehicle is shown as eligible.

Failure to repair a vehicle subject to a recall or campaign may subject your dealership to claims or lawsuits from the client or anyone else harmed as a result of such failure. To see if a vehicle in inventory is affected by this safety recall, do a VIN status inquiry before selling it.

CORRECTIVE ACTION

Replace the fuel tank and thermostat based on the VIN status inquiry.

CLIENT INFORMATION: The information in this bulletin is intended for use only by skilled technicians who have the proper tools, equipment, and training to correctly and safely maintain your vehicle. These procedures should not be attempted by "do-it-yourselfers," and you should not assume this bulletin applies to your vehicle, or that your vehicle has the condition described. To determine whether this information applies, contact an authorized Acura automobile dealer.

PARTS INFORMATION

Fuel Tank Replacement

Part Name	Part Number	Quantity
Fuel Tank Assembly Repair Parts Kit	06170-T6N-305	1
Left Fuel Tank	17044-T6N-A01	1
Right Fuel Tank	17044-T6N-A13	1

Thermostat Replacement

Part Name	Part Number	Quantity
Thermostat Assembly	19301-58G-A00	1

REQUIRED MATERIALS

Part Name	Part Number	Quantity
Acura Long-Life Antifreeze/Coolant Type 2	OL999-9011A	4
Acura Gear Oil GO-Type	08200-9018A	2

TOOL INFORMATION

Part Name	Tool Number	Quantity
Tank Removal Adapter	07AAK-T6NA300	1
Arm Holder	07AAB-T6NA400	1
Brake Disc Covers (set of 4)	07AAZ-T6NA800	1
Hose Plug Set	07AAZ-T6NA600	1
Fender Covers	07AAZ-T6NA200	1
Lug Nut Cap Removal Tool	07AAC-T6NA100	1
Fuel Tank Unit Locknut	07AAA-SNAA100	1
Fuel Pump Module Locknut Wrench	070AA-T0AA100	1
Wheel Stud Guide Pins (set of 2)	07AAB-T6NA200	1

WARRANTY CLAIM INFORMATION

Fuel Tank Replacement

To file a warranty claim for fuel reimbursement, you must do the following:

- Select **O1** from the **Sublet Code** drop-down.
- Enter the total MILES driven for refueling (ex. **15MILE**) in the **Work Description** field.
- Enter the fuel receipt, invoice, transaction, or sequence etc. number in the **Invoice No.** field.
- Enter the amount in the **Sublet Amount** field
- Upload a image of the fuel receipt (required).

Sublet Information				
Sublet Code	Work Description	Invoice No.	Rental Days	Sublet Amount
O1	15MILE	764646464		14.00
<< SELECT >>				

Upload files

File Attachments

Uploaded JPG/PDF Files 0 (Maximum 10)

Fuel Receipt

Alignment shims maybe needed to properly do the alignment, the shims were added under the material reimbursement section in the template.

Operation Number	Description	Flat Rate Time	Defect Code	Symptom Code	Template ID	Failed Part Number
3101GP	Replace the right and left side fuel tanks (includes alignment, VSA sensor neutral position procedure, fluid drain/refill and test drive).	10.3 hrs	6TK00	Z2800	B18050A	17044-T6N-A01
Only use the templates below if fuel fill-up is required.						
B	Travel 1-10 miles for fuel	0.2 hr	6TK00	Z2800	B18050B	17044-T6N-A01
C	Travel 11-20 miles for fuel	0.4 hr	6TK00	Z2800	B18050C	17044-T6N-A01
D	Travel 21-30 miles for fuel	0.6 hr	6TK00	Z2800	B18050D	17044-T6N-A01

Thermostat Replacement (2017 NSX Only)

NOTE

File a separate claim for the thermostat replacement.

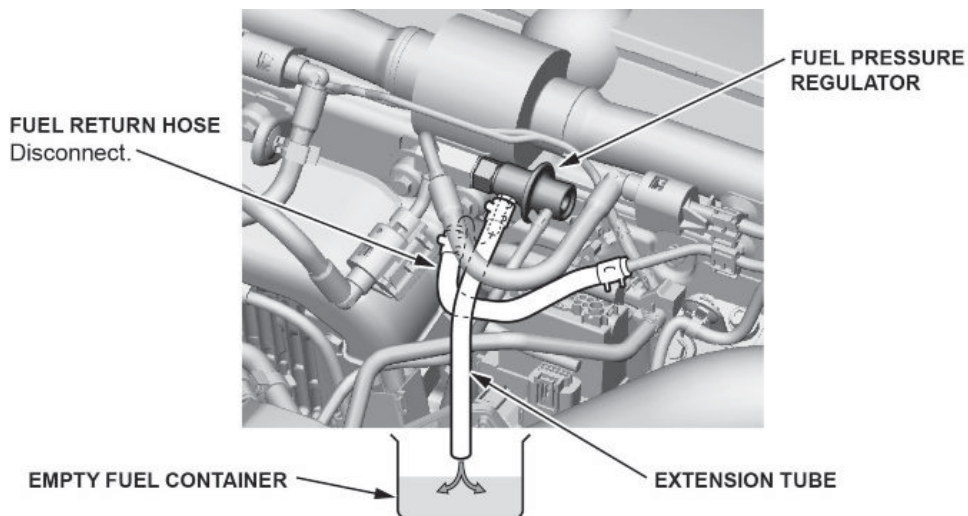
- The flat rate time is 0.2 hours because replacing the thermostat will be done with the fuel tanks removed from the vehicle as part of the fuel tank replacement.

Operation Number	Description	Flat Rate Time	Defect Code	Symptom Code	Template ID	Failed Part Number
1141AH	Replace the thermostat	0.2 hr	6TS00	F2A00	B18050E	19301-58G-A00

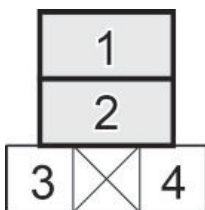
Skill Level: Repair Technician

REPAIR PROCEDURE

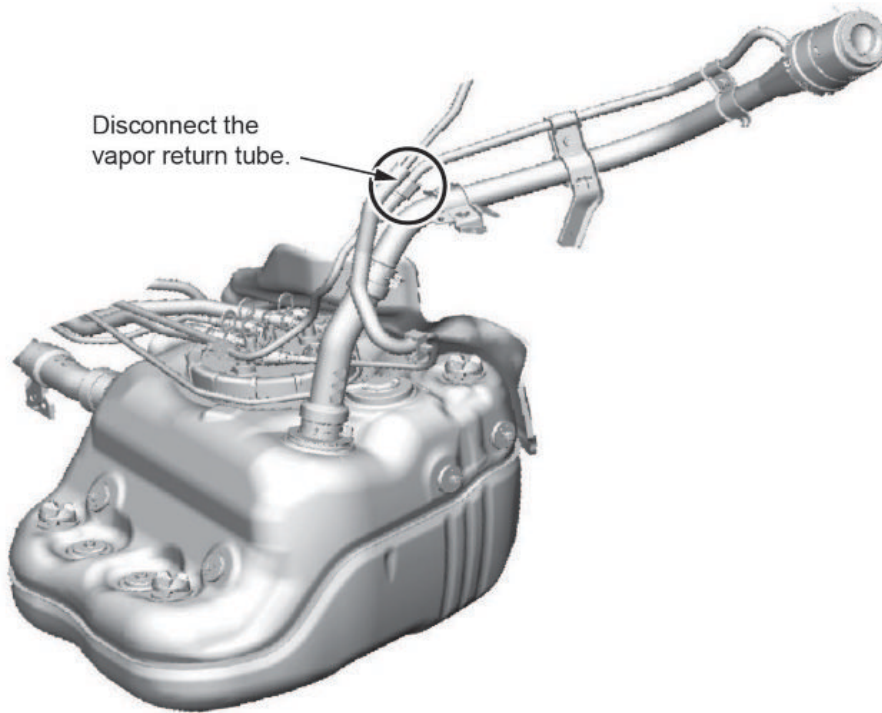
1. Set the vehicle on the lift. Refer to the service information.
2. Protect and cover the body panels surrounding the engine compartment.
3. Remove the engine room covers. Refer to the service information.
4. Remove the driver's side air cleaner assembly. Refer to the service information.
5. Drain the fuel from both fuel tanks.
 - 5.1. Remove the PGM-FI main relay 3 (UNDER HOOD).
 - 5.2. Remove the PGM-FI main relay 2 (CABIN).
 - 5.3. In **Maintenance Mode** do the **Forced PI Idling Mode**, then let the engine idle until it stalls.
 - 5.4. Remove the fuel return hose from the fuel pressure regulator, and add an extension tube to an empty fuel container.



- 5.5. Jump the PGM-FI main relay 3 (UNDER HOOD) 4-pin connector terminal No.1 and No. 2 with a jumper wire, and turn the ignition to ON.



- 5.6. Wait until all the fuel is drained.
6. Disconnect the fuel vapor line (located below the removed driver's air cleaner assembly).



7. Turn off the IMA service plug.
 - 7.1. Move the driver's seat all the way forward.
 - 7.2. Remove the lower portion of driver's door seal. Refer to the service information.

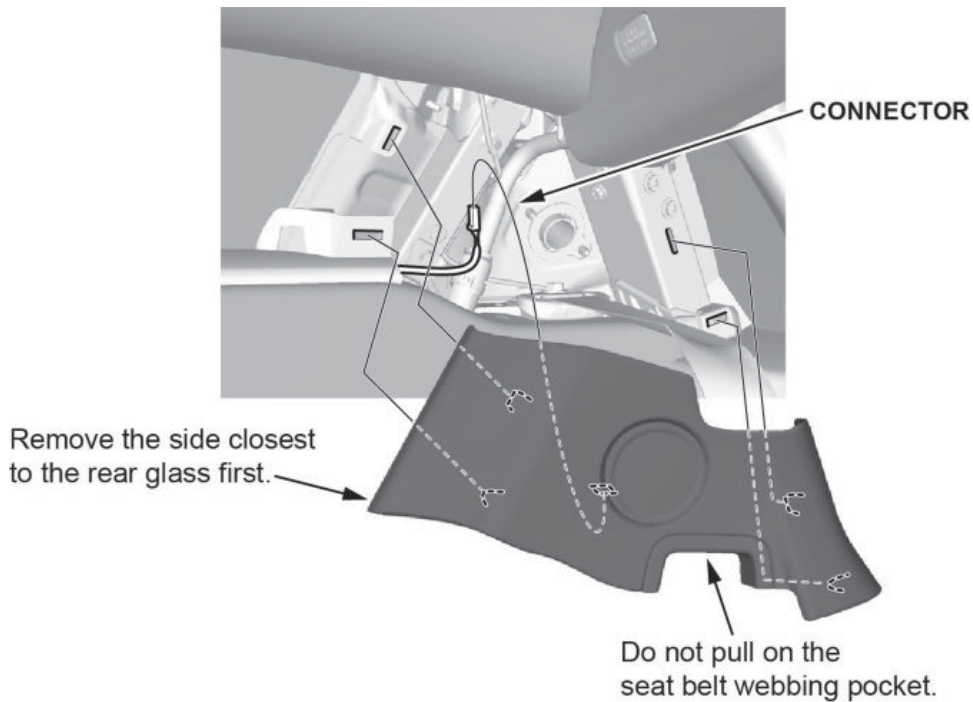
NOTE

Do not completely remove the driver's door seal.

7.3. Remove the driver's C-pillar trim.

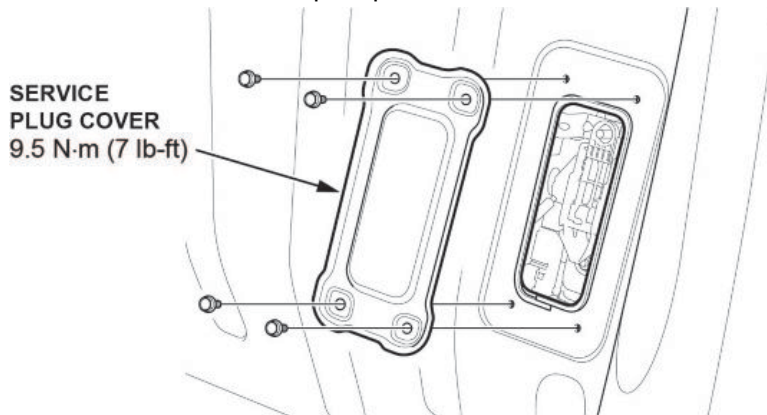
NOTE

To avoid damage when removing the C-pillar trim make sure you detach it from the outer edge near the rear glass and not at the seat belt webbing pocket.



7.4. Remove the driver's rear side trim panel. Refer to the service information.

7.5. Pull the rear bulkhead carpet up to access and remove the service plug cover.



7.6. Remove the service plug. Refer to the service information.

8. Disconnect the 12-volt terminals to the battery. Refer to the service information.

9. Raise the vehicle.

10. Remove the rear wheels.

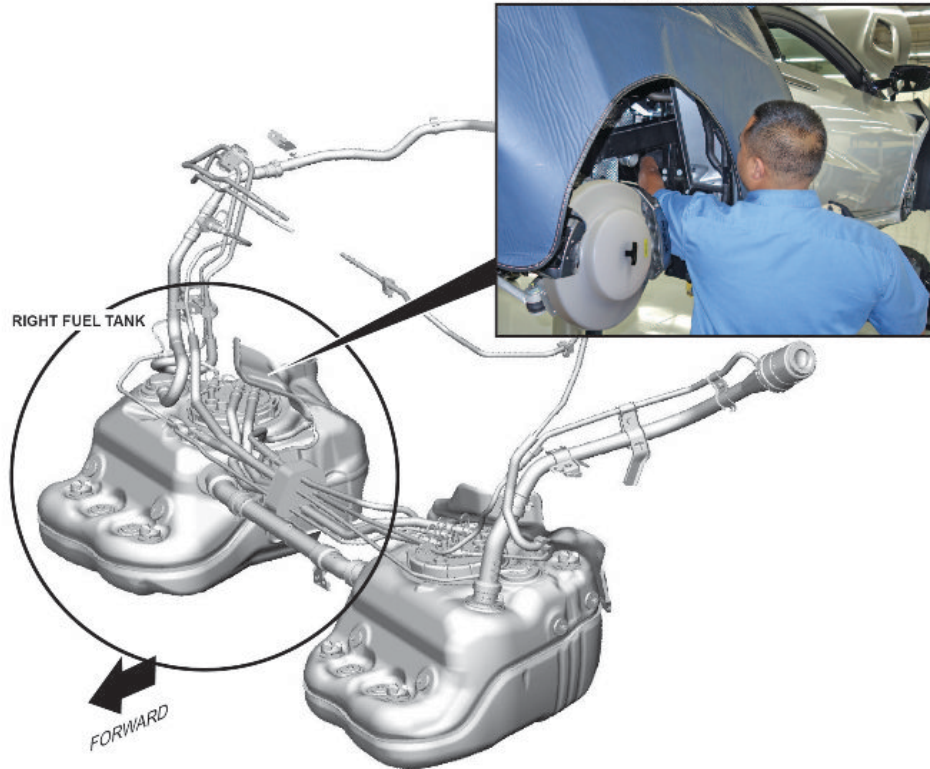
NOTE

Protect the brake disk from damage and install the brake disk cover.

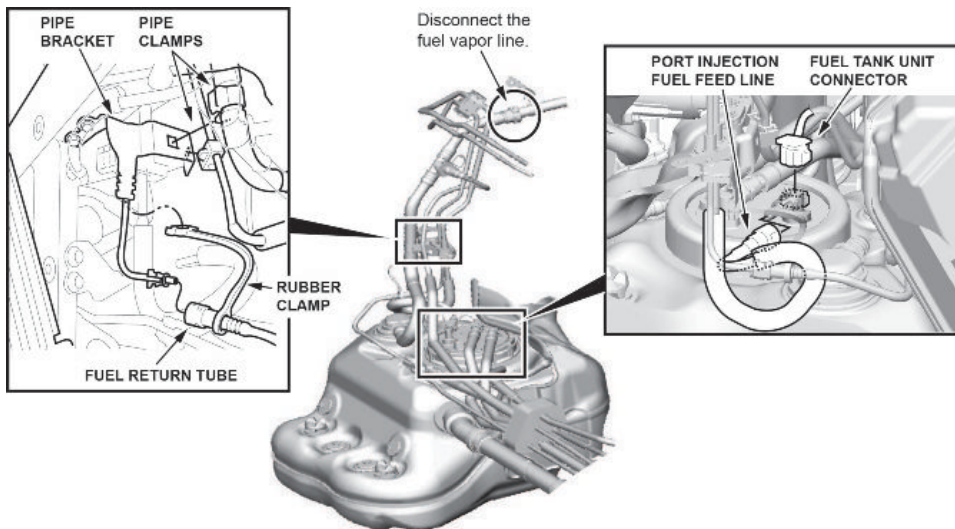
11. Remove both left and right inner fender liners. Refer to the service information.

12. On the passenger side rear wheel well, disconnect the following:

Reach through the right rear wheel well to access the right fuel tank connections.

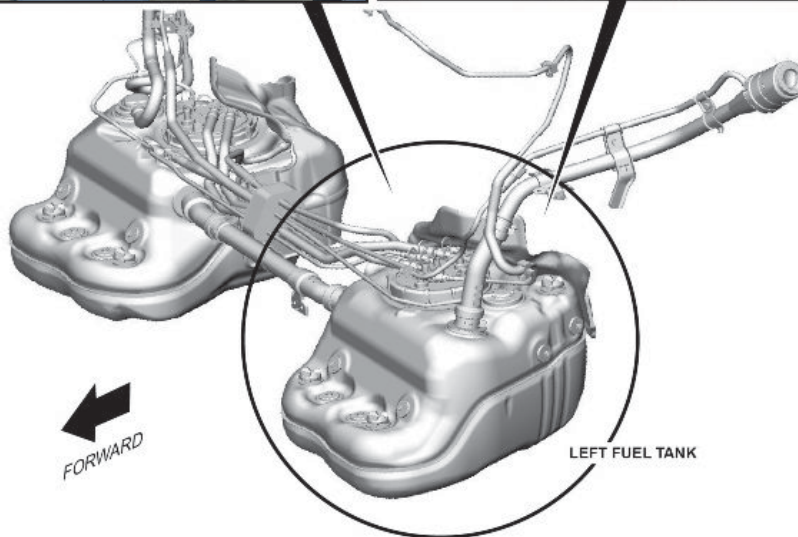


- OVR tube (next to frame beam)
- Lower intercooler hose (Unclamp and move.)
- PI fuel feed pipe
- Fuel tank unit connector
- Clip harness tab for the OVR
- Clip harness tab for the fuel line return

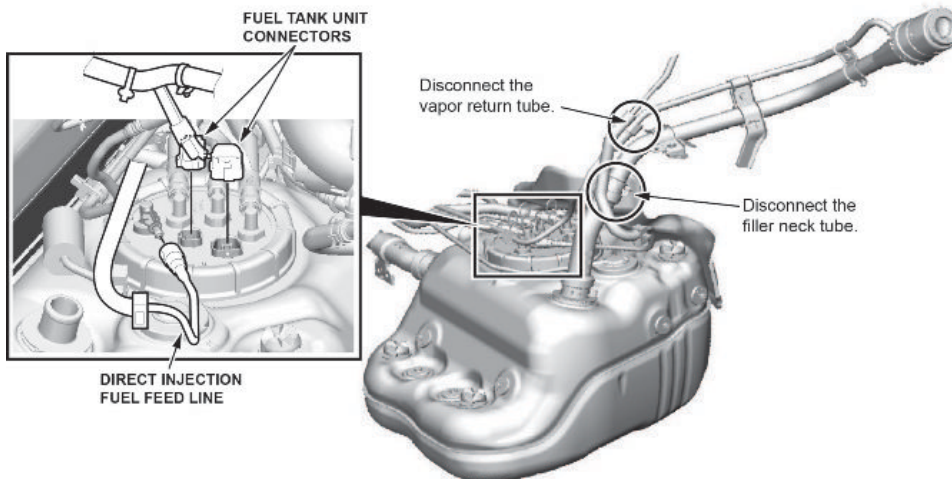


13. On the driver's side rear wheel well, do the following:

Reach through the left rear wheel well and the engine compartment to access the left fuel tank connections.



- Unclamp and move the intercooler hose.
- Remove the black bracket holding the fuel tank (top side fasteners).
- Disconnect the two electrical connectors.
- Disconnect the fuel filler neck.
- Disconnect the PI fuel feed pipe to the fuel pump.
- Unhook the tube clamp on the firewall side.



14. Remove the engine undercover. Refer to the service information.
15. Remove the (rear) center tunnel reinforcement. Refer to the service information.

16. Remove the two gear oil thermostat housing fasteners.
17. Remove the (front) rear subframe. Refer to the service information.

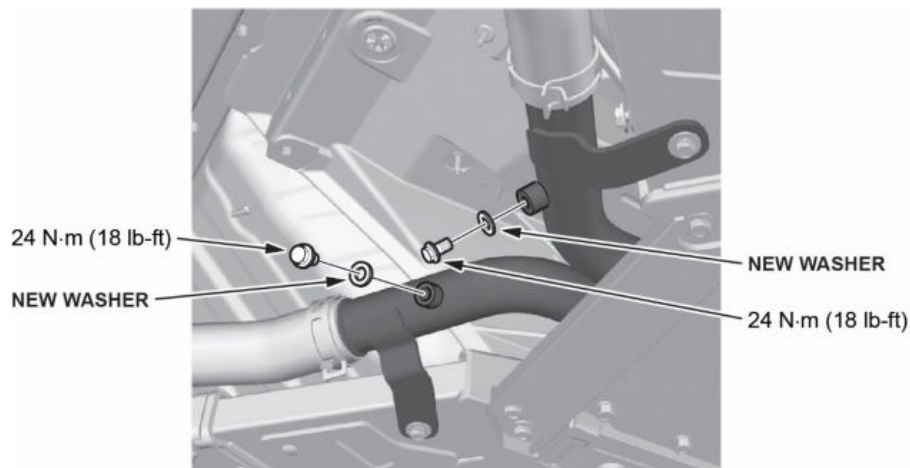
NOTE

Pay attention to the bolt length and locations.

18. Drain the engine coolant only from the water pipe underneath the vehicle.

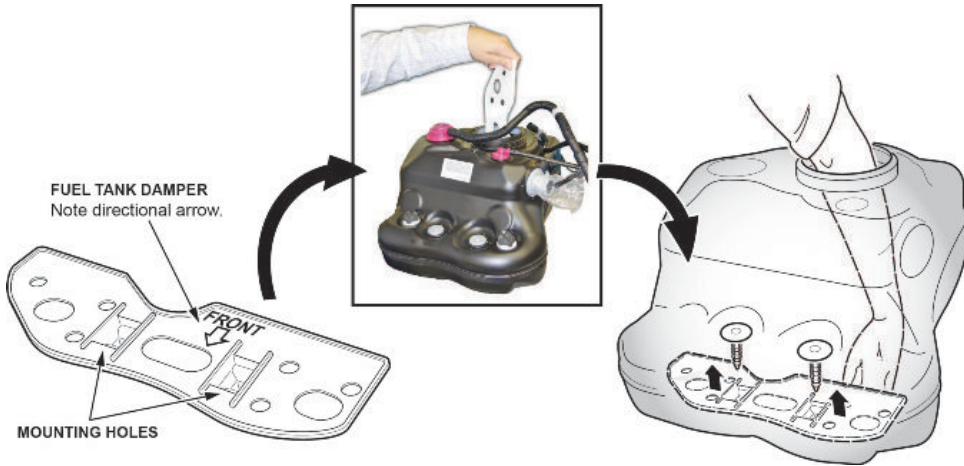
NOTE

After the coolant has drained, reinstall the drain bolts with new washers included in the kit.



19. Disconnect the water hoses from the center pipes and cap off the ends.
20. Disconnect the two gear oil pipes in the center tunnel. Refer to the service information.
21. Disconnect the coolant heater hose and cap off.
22. Disconnect the rear motor power cable. Refer to the service information.
23. Remove the rear bulkhead upper brace, rear bulkhead lower brace, and fuel pipe separator bracket. Refer to the service information.
24. Remove the crossover pipe bracket bolts. Refer to the service information.
25. Remove the fuel tank separator braces. Refer to the service information.
26. Place the tank removal adapter and the powertrain lift table under the fuel tank assembly. Refer to the service information.
27. Remove the fuel tank strap bolts.
28. Slightly lower the fuel tank assembly, On the passenger side tank, reach over and disconnect the fuel return tube.
29. Completely lower the fuel tank assembly, making sure none of the remaining hardlines and hoses get snagged.

30. Install the fuel tank damper (supplied with the new fuel tanks) as shown.

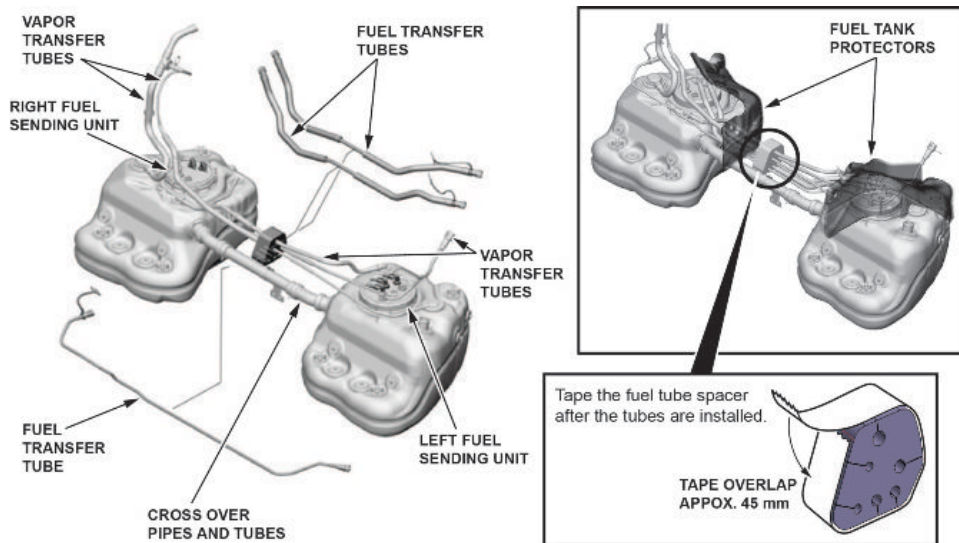


31. Refer to the service information, and transfer the following to the new fuel tank assembly:

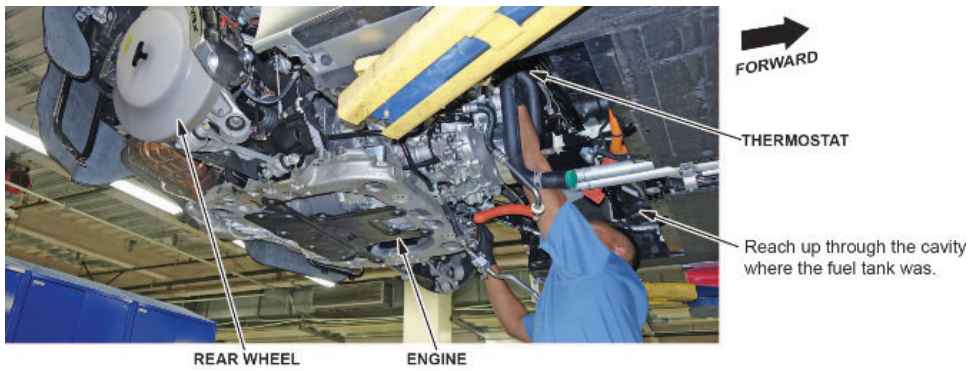
- Fuel sending units (left and right)
- Fuel tank protectors
- Fuel transfer tubes
- Vapor transfer tube
- Cross over pipe and tubes

NOTE

Install the supplied tape around the fuel tube spacer as shown.



32. Replace the thermostat from underneath the vehicle as shown below.

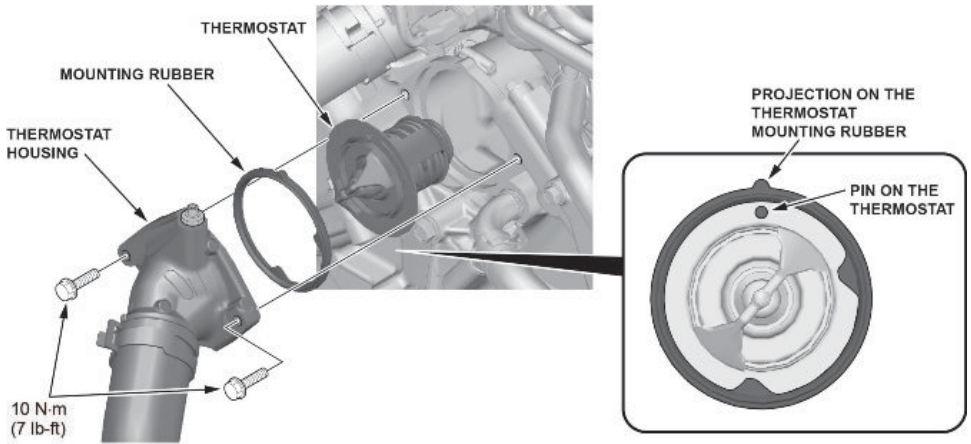


32.1. Remove the thermostat cover.

32.2. Replace the thermostat.

NOTE

Align the tab on the thermostat mounting rubber with the pin on the thermostat as shown below.



32.3. Install the thermostat housing.

33. Install the new fuel tank assembly in to the vehicle, and install the parts in the reverse order of removal.

34. Top off the transmission fluid. Refer to the service information.

35. Fill the coolant, and air bleed the system. Refer to the service information.

36. Refuel the vehicle.

NOTE

Make sure to note the mileage driven to refuel the vehicle; it is required for warranty reimbursement.

37. Do an alignment check, and make adjustments as needed.

NOTE

The fuel tanks must be fully fueled when doing an alignment. Also, be sure to follow the pre-alignment checks. Refer to the service information.

38. **California residents only:** Fill out a Vehicle Emissions Recall – Proof of Correction certificate, and use **Z28** for the fuel tank and **F2A** for the thermostat as the recall numbers. Have the service consultant give both the certificates to your client, and advise him or her to keep it as proof that both recalls was completed. Your client will need to submit this certificate to the DMV only if the DMV requests it. If you need more certificates, use reorder number **Y0657**.

Vehicle Emission Recall - Proof of Correction				
License Number	Make	Year Model	Body Type	Vehicle Identification Number
Manufacturer _____			Recall Number Z28	
The above described vehicle has been repaired, modified and/or equipped with new emission control devices to meet applicable California Emission Control Laws.				
Dealer's Name _____		Address, City, State and Zip _____		
Date _____	Dealership's Authorized Signature _____			
	X			
Return this certificate to DMV <u>only</u> when required - otherwise retain for your records.				

Y0657 ACL 24832 (0212)

Vehicle Emission Recall - Proof of Correction				
License Number	Make	Year Model	Body Type	Vehicle Identification Number
Manufacturer _____			Recall Number F2A	
The above described vehicle has been repaired, modified and/or equipped with new emission control devices to meet applicable California Emission Control Laws.				
Dealer's Name _____		Address, City, State and Zip _____		
Date _____	Dealership's Authorized Signature _____			
	X			
Return this certificate to DMV <u>only</u> when required - otherwise retain for your records.				

Y0657 ACL 24832 (0212)

END