



# SAFETY BULLETIN

Release Date: August 27, 2018

# SLI

Communication #: T-18-03

Model Year(s): 2017-2019

— Confidential and Proprietary —

**VERSION: R02 (August 27, 2018)**

*\*UPDATED TORQUE SPEC OF UPPER ROLL HOOP COVER FASTENERS*

## IMPORTANT STOP SALE SAFETY NOTICE!

**Stop selling affected vehicles immediately until the repair procedure has been completed on affected units at your dealership. Federal law prohibits the sale of products subject to a recall. Selling such products could subject the seller to substantial penalties.**

### IMPORTANT

If you are working with a printed copy, please verify you have the most current version of these instructions.

## SUBJECT: SEAT BELT GUIDE INSTALLATION

### PURPOSE

Polaris has identified a concern with the seat belt safety system used on some Slingshot models. In the event of a side-impact collision, the seat belt retractor mechanism on the side opposite the collision (e.g. the driver's side in a passenger-side impact) may be compromised, which may cause it to fail. Failure of the seat belt retractor mechanism may increase the risk of injury.

To correct this concern, Polaris has released this Safety Bulletin instructing dealers to install a driver and passenger-side seat belt guide by following the instructions later in the bulletin.

### AFFECTED MODELS

MODEL YEAR	MODELS	VEHICLE IDENTIFICATION NUMBER RANGE
2017–2019	Slingshot S / SL / SLR / GT	Reference Unit Inquiry on the dealer website or the Service Bulletin list on the STOP site to lookup affected VINs.

### CUSTOMER NOTIFICATION

Dealers are required to review their sales records and make arrangements with customers for Safety Bulletin completion. In addition to consumer units, dealers are required to correct any affected units in their inventory. Polaris will be mailing a Safety Alert notification letter to consumers affected by this Safety Bulletin in the United States and Canada.

## WARRANTY CLAIM PARTS INFORMATION

Bulletin parts are excluded from the standard RMA policy and cannot be returned. An Initial Recommended Order Quantity has been provided for this bulletin. Use Quantity Ordered to Date and the Open VIN List from the STOP site to determine an order amount that's right for your dealership. For more details, refer to University of Polaris training course "Polaris Item Availability and Daily Ordering" and click on "Bulletin Ordering Training".

DRIVER-SIDE AND PASSENGER-SIDE SEAT BELT GUIDE INSTALLATION	
Bulletin #	T-18-03
Claim Type	SB (Service Bulletin)
Labor Allowance	0.5 hours (30 minutes)
Part Number / Description	2208021 (QTY 1) Kit, Seat Belt Guide
Parts Availability	Limited quantities available starting 8/27/18
University of Polaris Video Training Required	Yes <sup>1</sup>

<sup>1</sup>Polaris requires one person from a dealership to be certified before parts ordering may occur and two people from a dealership to be certified before warranty claims may be processed.

## BULLETIN CONTACT LIST & SCHEDULING TOOL

A scheduling tool is available for dealers to keep a record of customers contacted and scheduled for this bulletin. This optional tool provides visibility for your dealership and will be helpful to track the status of scheduled service. For more information, log in to <http://www.universityofpolaris.com>.

## COVERAGE PERIOD

Coverage will begin on 8/16/2018. This bulletin has no expiration date.

## UNIVERSITY OF POLARIS TRAINING REQUIREMENT

Each member of your service department team must watch the training video on University of Polaris prior to completing **ANY** work, or submitting **ANY** warranty claim for this Bulletin. You must watch the video through the University of Polaris in order to get credit for watching the video.

[www.universityofpolaris.com](http://www.universityofpolaris.com)

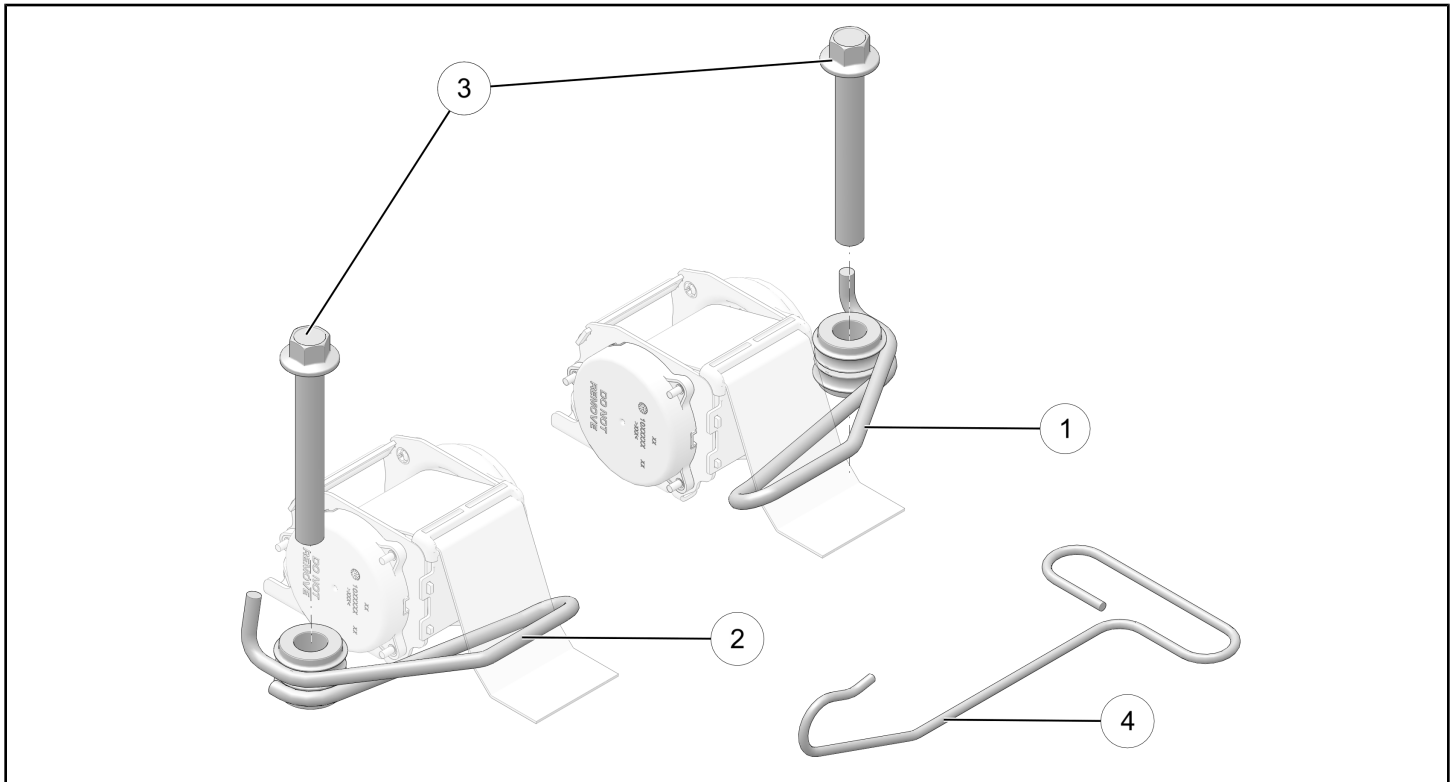
## FEEDBACK FORM

A feedback form has been created for the technician to provide Polaris with an overall satisfaction rating for the instructions, provide comments on your experience or upload pictures/video. This feedback form is viewable on a mobile device by scanning the QR code or by clicking [HERE](#) if viewing this document electronically.



# T-18-03 SEAT BELT GUIDE

## KIT CONTENTS (P/N 2208021)



ITEM	DESCRIPTION	PART NUMBER	QTY
①	Driver-side Seat Belt Guide	2637550	1
②	Passenger-side Seat Belt Guide	2637549	1
③	Bolts	7518705	2
④	Tool, Seat Belt	5341728	1
	Instructions, Kit (not shown)	9929581	1

## TOOLS REQUIRED

- T25 Torx
- T40 Torx
- 16mm standard socket
- 16mm deep well socket
- 3 inch extension
- Socket Wrench
- Torque Wrench

## T-18-03 SEAT BELT GUIDE INSTALLATION

- Park vehicle on a flat and level surface. Keep transmission in gear. Set parking brake. Turn key to “OFF” position and remove from vehicle.
- **Slingshade Equipped Models Only:** Unlock and open Slingshade door.

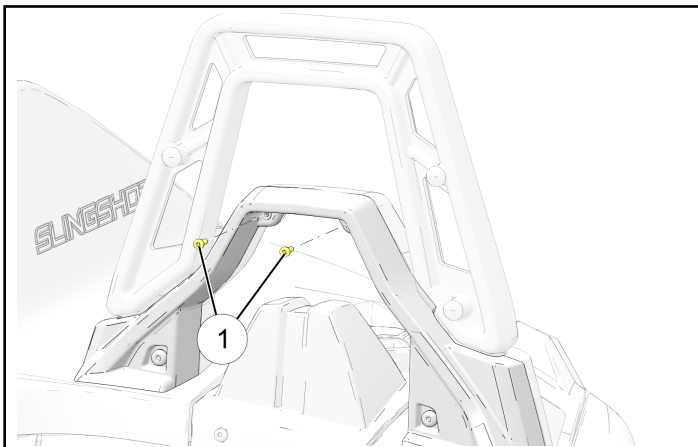
### DRIVER-SIDE SEAT BELT GUIDE INSTALLATION

1. Slide seat to the forward-most position and gently tilt the driver seat forward toward the steering wheel.
2. Cover the driver-side Wing Panel with a protective mat to prevent cosmetic damage to panels and painted surfaces.

#### CAUTION

Remove personal items such as rings, keychains, belts, etc. which may unintentionally damage cosmetic surfaces

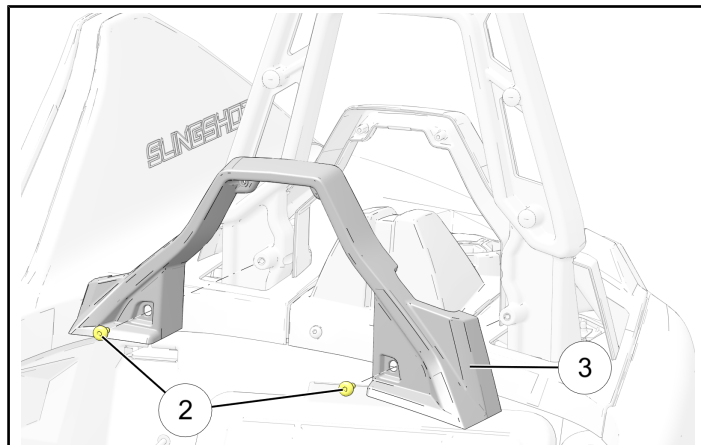
3. Using a T25 Torx, remove two upper roll hoop cover fasteners ①.



#### NOTICE

Retain fasteners for re-installation

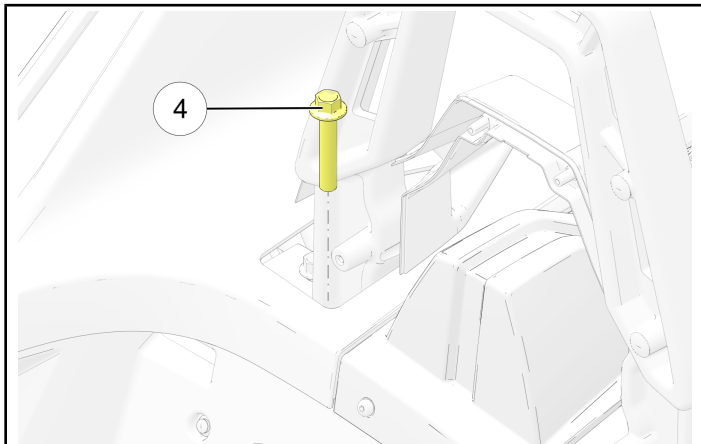
4. Using a T40 Torx, remove two FRONT lower fasteners ② securing the driver-side front roll hoop cover and remove cover ③.



#### NOTICE

Retain fasteners for re-installation

5. Using a 16mm standard socket and 3 inch extension, remove inboard front roll hoop bolt ④ and **DISCARD**.



**CAUTION**

DO NOT use an impact driver. Damage to the roll hoop bolt weld nut may occur.

**IMPORTANT**

Tool selection is important to avoid damaging the finish on the roll hoop and top deck lid.

6. Pull out a length of seat belt from the retractor.
7. With the hook facing upward, insert special tool **5341728** as shown to pull a length (18 inches or more) of seat belt out of the opening in the rear deck lid.

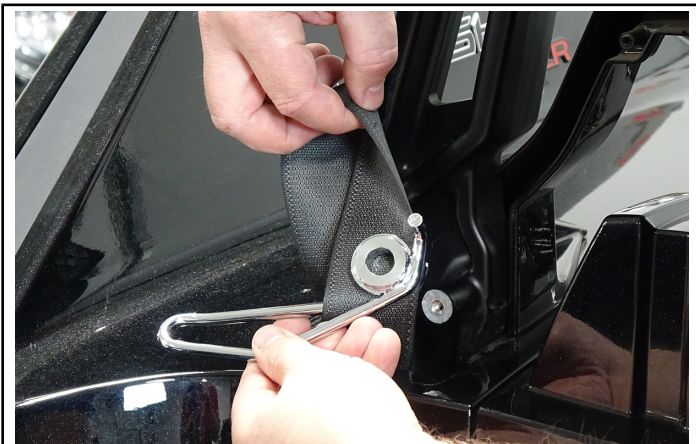


8. Make a loop with this length of seat belt.

### IMPORTANT

To ensure proper seat belt routing after assembly, make sure the slack side (not retractor side) of the seat belt loop is positioned toward the front of the vehicle when installing the seat belt guide.

9. Feed the seat belt into the driver-side seat belt guide as shown.



### IMPORTANT

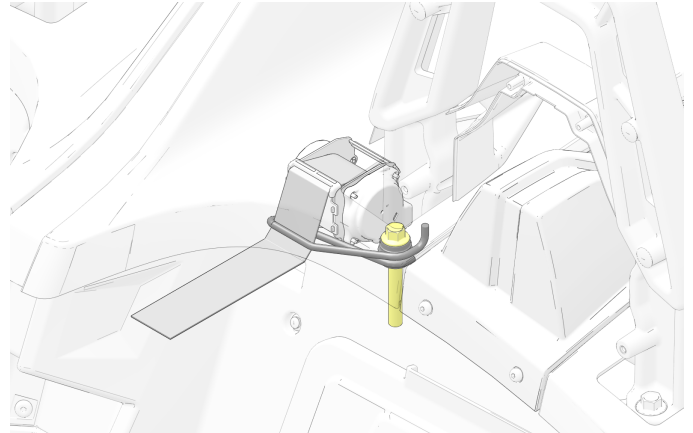
Individual seat belt guides have been designed for both the driver and passenger-sides of the vehicle. Please pay careful attention to the seat belt guide orientation prior to assembly.

10. By hand, assemble the seat belt guide onto the roll hoop base with NEW (longer) bolt.

### NOTICE

The seat belt guide should be installed as shown with the wire form tab up and the retractor should function properly. If the retractor is not functioning properly, the seat belt is likely wrapped around the seat belt guide.

Repeat steps 8 & 9 for proper installation.



11. Using a 16mm deep well socket, torque roll hoop bolt to specification

### TORQUE

Roll Hoop Bolt:  
**60 ft-lbs (81 Nm)**

### IMPORTANT — AUDIT STEP

A secondary dealer representative must verify the driver-side roll hoop bolt has been torqued using a torque wrench set to the correct specification.

12. Pull the entire length of the seat belt out of the retractor and verify that no damage has occurred. Verify that the seat belt retracts properly.

**IMPORTANT — AUDIT STEP**

A secondary dealer representative must pull the entire length of the seat belt out of the driver-side retractor and verify that no damage has occurred. Verify that the seat belt retracts properly.

**STOP!**

If damage to the seat belt is present, submit an ASK Polaris case for further instructions.

- US/CAN Dealers: Submit an Ask Polaris Service & Warranty Question > Authorization: Non-Cosmetic & Polaris ESC.
- INT'L Dealers: Contact your Country Service Department

13. Install the driver-side front roll hoop cover and hand tighten two upper and two lower torx fasteners.
14. Tighten two upper torx fasteners until noticeable torque resistance is felt.

**TORQUE**

Roll Hoop Cover Fasteners (Upper):  
**15 in-lbs (2 Nm)**

**CAUTION**

Do not over torque fasteners. Over-torquing may result in roll hoop cover damage.

15. Torque two lower torx fasteners.

**TORQUE**

Roll Hoop Cover Fasteners (Lower):  
**42 in-lbs (5 Nm)**

**CAUTION**

Do not over torque fasteners. Over-torquing may result in roll hoop cover damage.

16. Remove protective mat and inspect for damage.

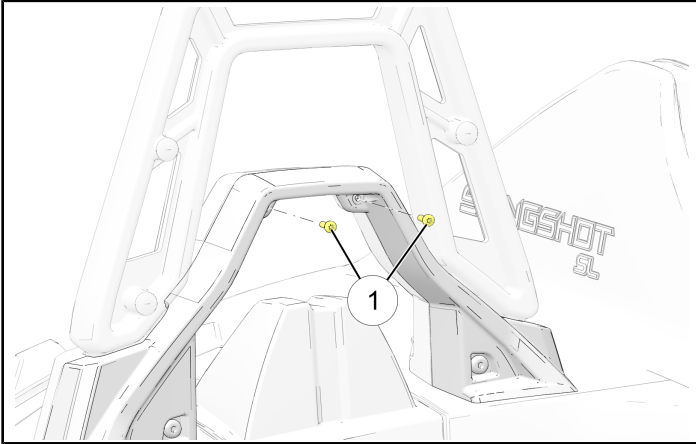
## PASSENGER-SIDE SEAT BELT GUIDE INSTALLATION

1. Tilt the passenger seat forward toward the dash.
2. Cover the passenger-side Wing Panel with a protective mat to prevent cosmetic damage to panels and painted surfaces.

### CAUTION

Remove personal items such as rings, keychains, belts, etc. which may unintentionally damage cosmetic surfaces

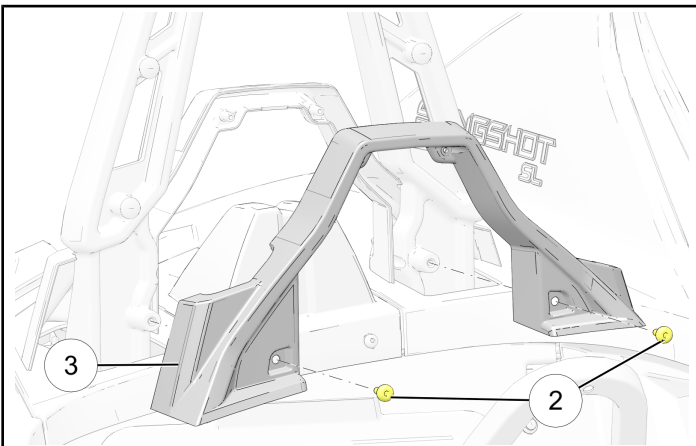
3. Using a T25 Torx, remove two upper roll hoop cover fasteners ①.



### NOTICE

Retain fasteners for re-installation

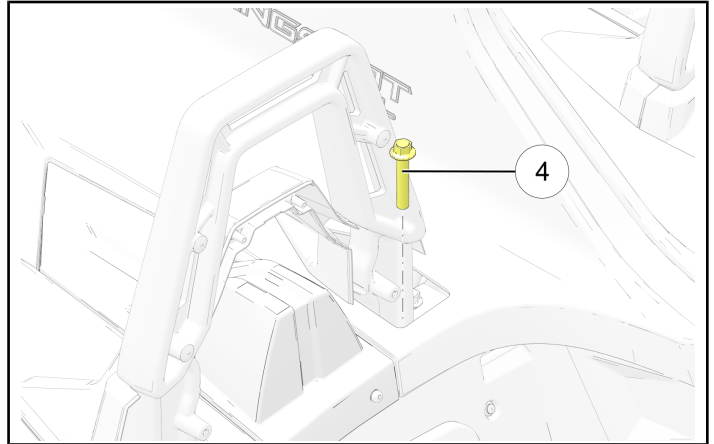
4. Using a T40 Torx, remove two FRONT lower fasteners ② securing the passenger-side front roll hoop cover and remove cover ③.



### NOTICE

Retain fasteners for re-installation

5. Using a 16mm standard socket and 3 inch extension, remove inboard front roll hoop bolt ④ and **DISCARD**.



### CAUTION

DO NOT use an impact driver. Damage to the roll hoop bolt weld nut may occur.

### IMPORTANT

Tool selection is important to avoid damaging the finish on the roll hoop and top deck lid.

6. Pull out a length of seat belt from the retractor.
7. With the hook facing upward, insert special tool **5341728** as shown to pull a length of seat belt out of the opening in the rear deck lid.

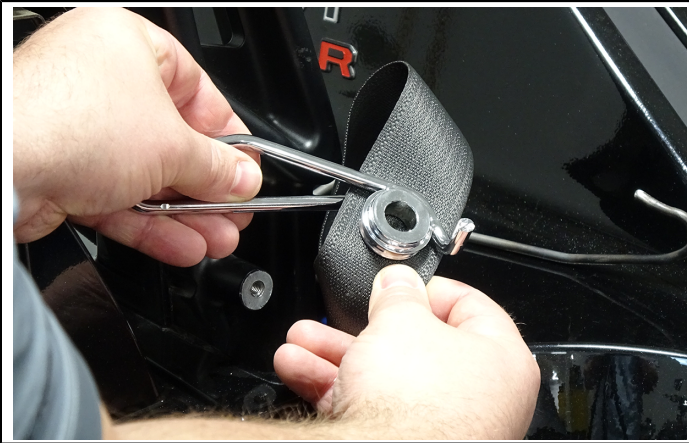


8. Make a loop with this length of seat belt.

### IMPORTANT

To ensure proper seat belt routing after assembly, make sure the slack side (not retractor side) of the seat belt is positioned toward the front of the vehicle when installing the seat belt guide.

9. Feed the seat belt into the passenger-side seat belt guide as shown.



### IMPORTANT

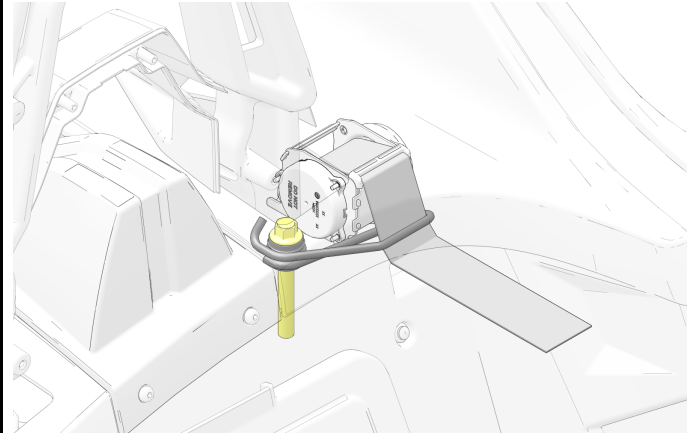
Individual seat belt guides have been designed for both the driver and passenger-sides of the vehicle. Please pay careful attention to the seat belt guide orientation prior to assembly.

10. By hand, assemble the seat belt guide onto the roll hoop base with NEW (longer) bolt.

### NOTICE

The seat belt guide should be installed as shown with the wire form tab up and the retractor should function properly. If the retractor is not functioning properly, the seat belt is likely wrapped around the seat belt guide.

Repeat steps 8 & 9 for proper installation.



11. Using a 16mm deep well socket, torque roll hoop bolt to specification.

### TORQUE

Roll Hoop Bolt:  
**60 ft-lbs (81 Nm)**

### IMPORTANT — AUDIT STEP

A secondary dealer representative must verify the passenger-side roll hoop bolt has been torqued using a torque wrench set to the correct specification.

12. Pull the entire length of the seat belt out of the retractor and verify that no damage has occurred. Verify that the seat belt retracts properly.

**IMPORTANT — AUDIT STEP**

A secondary dealer representative must pull the entire length of the seat belt out of the passenger-side retractor and verify that no damage has occurred. Verify that the seat belt retracts properly.

**STOP!**

If damage to the seat belt is present, submit an ASK Polaris case for further instructions.

- US/CAN Dealers: Submit an Ask Polaris Service & Warranty Question > Authorization: Non-Cosmetic & Polaris ESC.
- INT'L Dealers: Contact your Country Service Department

13. Install the passenger-side front roll hoop cover and hand tighten two upper and two lower torx fasteners.
14. Tighten two upper torx fasteners until noticeable torque resistance is felt.

**TORQUE**

Roll Hoop Cover Fasteners (Upper):  
**15 in-lbs (2 Nm)**

**CAUTION**

Do not over torque fasteners. Over-torquing may result in roll hoop cover damage.

15. Torque two lower torx fasteners.

**TORQUE**

Roll Hoop Cover Fasteners (Lower):  
**42 in-lbs (5 Nm)**

**CAUTION**

Do not over torque fasteners. Over-torquing may result in roll hoop cover damage.

16. Remove protective mat and inspect for damage.
17. File bulletin T-18-03.