



DELIVERY STOP & RECALL 18V-154: CHECK REAR SPOILER

What's new:

- Parts
- Warranty

MODEL

G01 (X3)		
----------	--	--

SITUATION

BMW Group is conducting a Voluntary Safety Recall (effective March 2, 2018) on Model Year 2018 X3 SAV vehicles produced from Start-of-Production through February 23, 2018. Affected vehicles may not have been produced with all necessary screws which attach the rear spoiler to the vehicle.

Approximately 16,448 vehicles are affected by this delivery stop / recall, consisting of 3,667 in dealer inventory and 12,781 retailed. Additionally, there are approximately 560 vehicles in the pipeline.

Affected vehicles will show the campaign as "Open" when checked either in AIR or ISPA Next. Once the Warranty Vehicle Inquiry system is updated on Saturday, March 3, 2018, it will display the same information. The affected vehicles will be identified with the description: **STOP012899 B510518 Recall: Check Rear Spoiler**

Owners will receive a letter in early May via First Class mail, advising them of this recall.

The Q&A has been attached for further information.

CAUSE

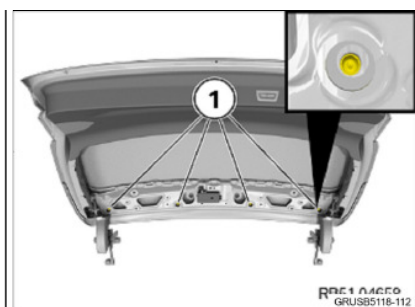
Vehicles may not have been produced with all necessary screws which attach the rear spoiler to the vehicle.

CORRECTION

Inspect the rear spoiler and, if necessary, install the necessary screws to ensure that the rear spoiler is properly attached to the vehicle.

PROCEDURE

	1. Remove the upper hatch panel window trim, following repair instructions REP 51 49 003 Removing and installing/replacing trim for rear window frame on left or right.
	2. Determine if there are 4 screws present which attach the spoiler to the rear hatch. Are all 4 screws installed correctly? Yes: Proceed to step 3.



No: Proceed to step 4.

3. Using a suitable marker, mark the screw heads of all 4 screws indicating that they have been inspected. Afterwards, the vehicle can be reassembled and no additional repairs are required.

4. 4. Install and torque the spoiler mounting screws to 2nm.

UPDATE! PARTS INFORMATION

Parts are only needed for those vehicles that fail the inspection procedure.

For Procedure step # 4:

Part Number	Description	Quantity
07 14 7 187 828	Fillister head screw with collar	4

UPDATE! WARRANTY INFORMATION

You will need the repair order (RO) number and the RO close date to retail an affected vehicle once it is inspected and/or repaired as applicable.

Vehicles that fail the inspection procedure must be repaired before they can be retailed.

Please ensure the claim for this Recall is promptly submitted through DCSnet once the Warranty Information becomes available as noted above.

Reimbursement for this Recall campaign will be via normal claim entry utilizing the following information:

Defect Code:	0051270400	
---------------------	-------------------	--

Completion "before" vehicle delivery to the customer or the vehicle is already in the workshop

Labor Operation:	Labor Allowance:	Description:
00 66 541	3 FRU	Inspect mounting screws for rear spoiler (No repair is necessary) (Plus work)
Or:		
00 66 542	3 FRU	Inspect mounting screws for rear spoiler and install the screws as necessary (Plus work)

Completion after vehicle delivery to the customer

Labor Operation:	Labor Allowance:	Description:
00 66 028	5 FRU	Inspect mounting screws for rear spoiler (No repair is necessary) (Main work)
Or:		
00 66 029	5 FRU	Inspect mounting screws for rear spoiler and install the screws as necessary (Main work)

TREAD Act - Previous Customer-Pay Repairs

Since the Recall affected vehicles were produced within the last six months (Based on March 2018), reimbursement requests for prior customer-pay repairs that specifically address the issue described in this Recall bulletin are not very likely.

Posted: Thursday, March 8, 2018

ATTACHMENTS

View PDF attachment [B510518 Recall Notice](#).

View PDF attachment [2018-BMW-MY18-G01-RearSpoiler-QA-2Mar2018](#).

[Copyright ©2018 BMW of North America, Inc.]

SAFETY RECALL NOTICE

To: All Center Operators, Sales Managers, Service Manager, Parts Manager and Warranty Processor

RE: Delivery Stop & Recall 18V-XXX: Check Rear Spoiler B51 05 18

BMW Group is conducting a Voluntary Safety Recall (effective March 2, 2018) on Model Year 2018 X3 SAV vehicles produced from Start-of-Production through February 23, 2018. Affected vehicles may not have been produced with all necessary screws which attach the rear spoiler to the vehicle.

Owners will be notified by First Class mail about the Recall and will be instructed to bring their vehicles in for a free repair when parts are available.

Please be reminded that it is a violation of federal law (The Safety Act) for you to sell, lease or deliver any new motor vehicle covered by this notification until the recall repair has been performed. This means that centers may not legally deliver new motor vehicles to consumers until they are fixed or use/sell replacement equipment/parts subject to this recall. Note also that substantial civil penalties apply to violations of the Safety Act.

Also, you should not sell, lease or deliver any Certified Pre-Owned or used vehicles subject to a safety recall until the repair is completed.

Please follow any special instructions that we provide to you for the return or disposition of recall parts.

We appreciate all your assistance with this Recall.

Safety Recall 18V-XXX
Rear Spoiler
Model Year 2018
BMW X3 SAV
Last Updated 03/02/2018

Q1. Which BMW Group models in the US are affected by this Safety Recall?

Approximately 17,008 Model Year 2018 BMW X3 SAV models in the US, produced between July 2017 and February 2018, are potentially affected.

Q2. What is the specific issue?

The issue involves the rear spoiler. Potentially affected vehicles may not have had the rear spoiler properly attached to the vehicle.

Q3. What can happen as a result of this issue?

If the rear spoiler was not properly attached, then during driving, it could detach from the vehicle and become a hazard to other road users.

Q4. How did BMW Group become aware of this issue?

BMW became aware of this issue through its quality control procedures.

Q5. Why are other BMW Group vehicles not included in this Safety Recall?

This issue is unique to the potentially affected vehicles.

Q6. Can I determine if this issue exists in my vehicle?

No. This can only be determined through proper inspection at an authorized BMW center.

Q7. How will my vehicle be repaired?

The rear spoiler will be inspected and, if necessary, properly reattached to the vehicle.

Q8. How will I be informed of this Safety Recall?

You will receive a letter in early May via First Class mail, advising you of this recall and to immediately schedule an appointment with an authorized BMW center to have this recall performed. You can locate your nearest authorized BMW center at www.bmwusa.com/dealers.

To ensure BMW has your most recent contact and vehicle information, please register your vehicle at www.bmwusa.com/myBMW. Registration is free, and will give you access to factory initiated campaigns and other information specific to your BMW.

Q9. How long will the repair take?

This repair will take approximately 1 hour; however, additional time may be required depending upon your BMW center's schedule. The repair will be performed free of charge by your authorized BMW center.

Q10. Do I have to wait for my letter to have my vehicle serviced?

Yes. For the latest updates to this recall, please visit www.bmwusa.com/recall.