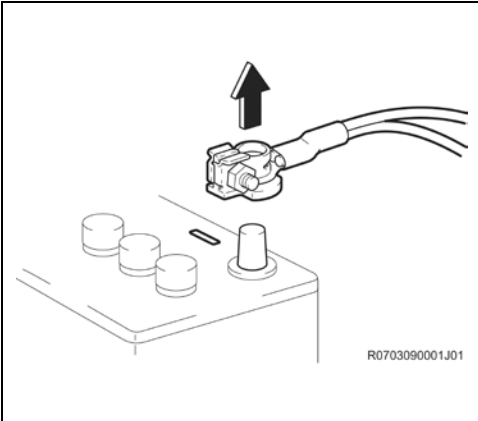


FRONT AIRBAG SENSOR LH NX300h

REMOVAL

1. RECORD SETTINGS OF THE AUDIO SYSTEM, AIR CONDITIONER, ETC.

- For devices such as the audio system, air conditioner, etc, record current settings before disconnecting the negative battery cable.



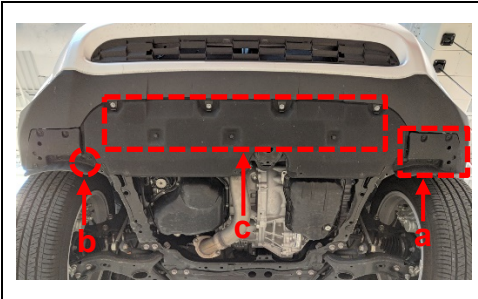
2. DISCONNECT NEGATIVE BATTERY CABLE



- Wait at least 90 seconds after disconnecting the cable from the negative battery terminal to prevent airbag and seat belt pretensioner deployment.
- For models with a HDD navigation system, wait at least 6 minutes before disconnecting the battery. It takes approximately 6 minutes for the system to save information and settings after the engine switch is turned off.
- Follow all precautions as outlined on TIS before servicing the SRS system.

3. REMOVE SPLASH PLATE

- Remove the 5 screws from the LH side.
- Remove the 1 screw from the RH side.
- Remove the 4 bolts and 3 clips to remove the splash plate.



4. REMOVE INTAKE RESONATOR

- Remove the 2 bolts and the intake resonator.

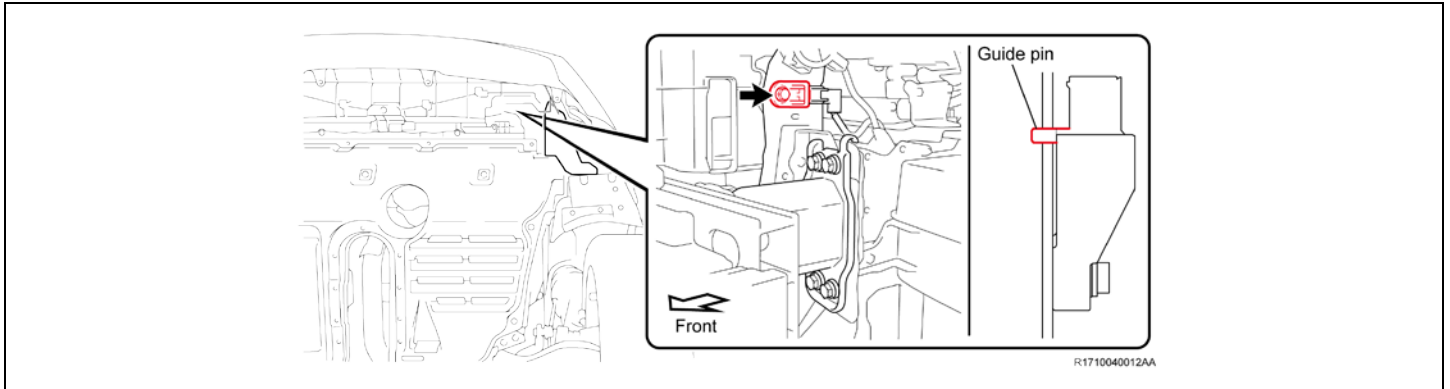


5. REMOVE FRONT AIR BAG SENSOR LH

a. Remove the bolt while holding the front air bag sensor LH.



If you **DO NOT** hold the sensor, it may be rotated together with the bolt and the guide pin may be broken.

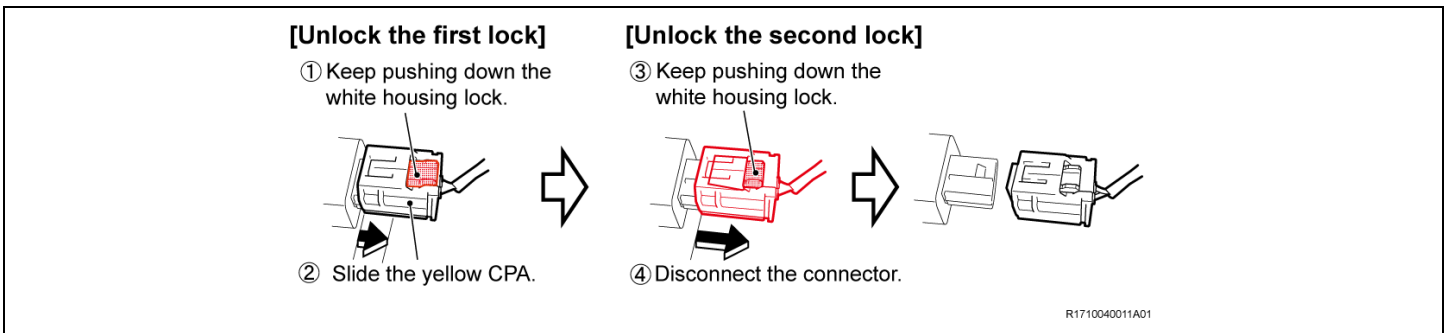


b. Disconnect the connector following the steps below.



- This special connector has a double locking mechanism and needs to be handled with care.
- DO NOT apply pressure on the wire harness.

- (1) To unlock the first lock, keep pushing down the white housing lock and then slide the yellow CPA towards the wire harness.
- (2) To unlock the second lock, keep pushing down the white housing lock again and disconnect the connector.

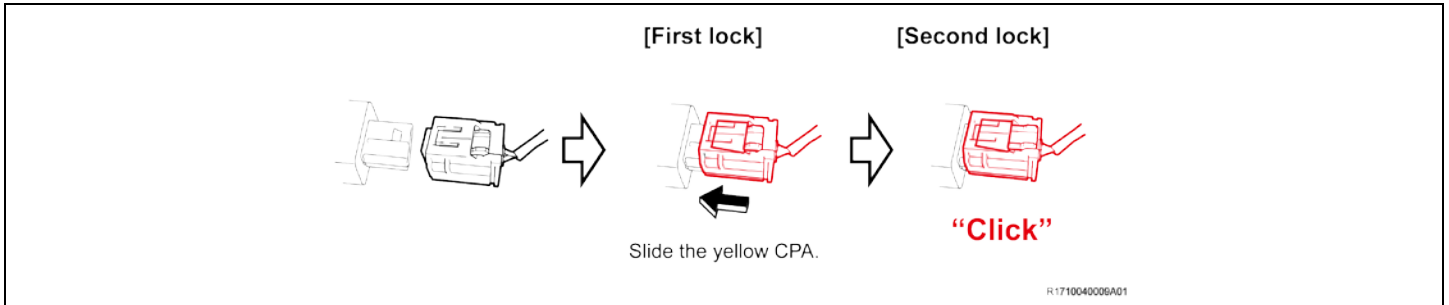


c. Mark and store the removed front air bag sensor LH in a separate container so as not to reinstall it in error.

INSTALLATION

1. INSTALL A **NEW** FRONT AIR BAG SENSOR LH

- Engage the connector of the **NEW** front air bag sensor LH holding the sides of its yellow CPA (A click sound can be heard).

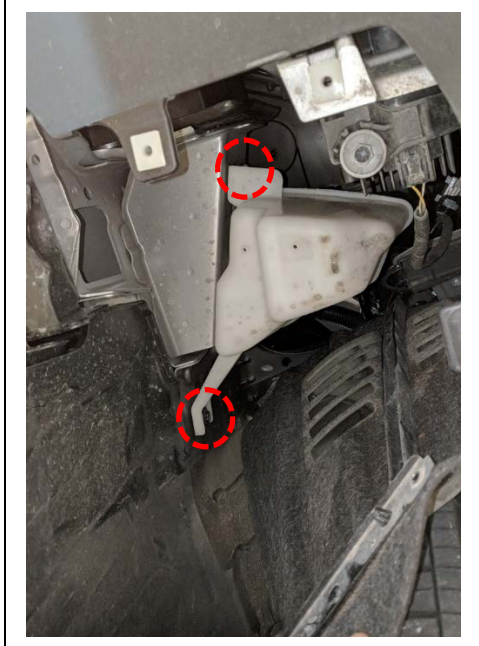
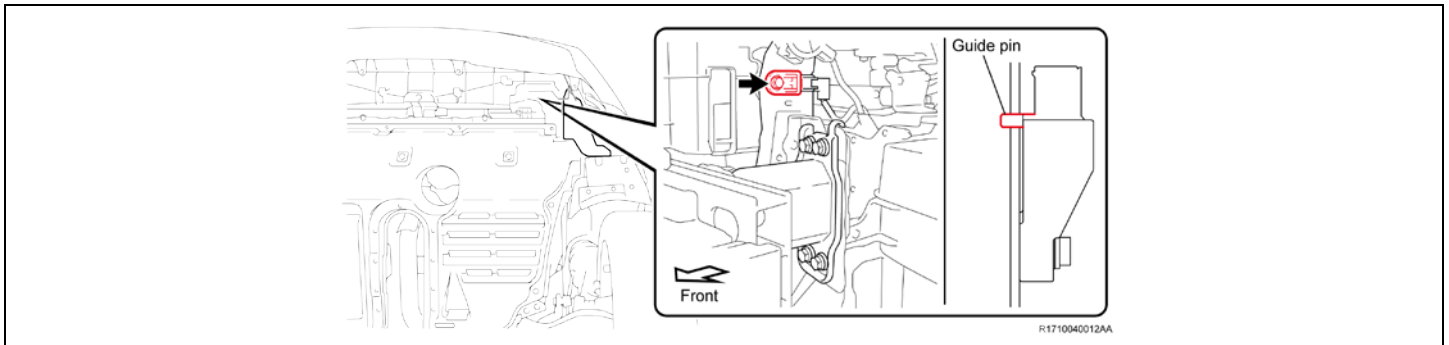


- Engage the guide pin of a **NEW** front air bag sensor LH and hold it in place.
- Reinstall the bolt.

Torque: 80 in.lbs {9 N·m, 92 kgf·cm}

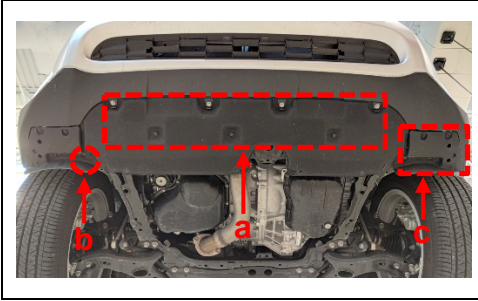


- **DO NOT** use a sensor which has been affected by strong shocks such as being dropped.
- If you **DO NOT** hold the sensor, it may be rotated together with the bolt and the guide pin may be broken.



2. INSTALL INTAKE RESONATOR

- Install the 2 bolts.

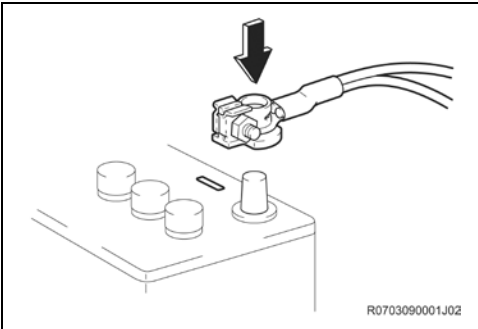


6. INSTALL SPLASH PLATE

- a. Install the 4 bolts and 3 clips
- b. Install the 1 screw on the RH side.
- c. Install the 5 screws on the LH side.



Before carrying out the following procedures, replace another sensor if needed.



3. RECONNECT NEGATIVE BATTERY CABLE

4. INSPECT THE AIR BAG SENSORS USING THE JUDGMENT SOFTWARE

5. RESTORE VEHICLE

- a. Perform system initializations.